



US00D690915S

(12) **United States Design Patent**  
**Gavrieli et al.**

(10) **Patent No.:** **US D690,915 S**

(45) **Date of Patent:** **\*\* Oct. 8, 2013**

- (54) **SINGLE-SOLE SHOE WITH BLUE STRIPE AND BLUE SOLE**
- (71) Applicant: **Gavrieli Brands LLC**, Beverly Hills, CA (US)
- (72) Inventors: **Kfir Gavrieli**, Los Angeles, CA (US);  
**Dikla Gavrieli**, Los Angeles, CA (US)
- (73) Assignee: **Gavrieli Brands LLC**, Beverly Hills, CA (US)
- (\*\*) Term: **14 Years**
- (21) Appl. No.: **29/439,759**
- (22) Filed: **Dec. 14, 2012**

**Related U.S. Application Data**

- (63) Continuation of application No. 13/207,397, filed on Aug. 10, 2011.
- (51) **LOC (9) Cl.** ..... **02-04**
- (52) **U.S. Cl.**  
USPC ..... **D2/939; D2/925**
- (58) **Field of Classification Search**  
USPC ..... D2/896, 897, 900, 919-921, 925-942,  
D2/946, 949, 950, 969, 971; 36/1, 83, 8.1-8.3,  
36/9 R, 45-58, 104, 108, 76 R  
See application file for complete search history.

(56) **References Cited**

**U.S. PATENT DOCUMENTS**

1,525,848 A *	2/1925	Bonaventure	.....	36/8.3
1,587,377 A	6/1926	Grosjean		

(Continued)

**FOREIGN PATENT DOCUMENTS**

DE	20 2006 000230 U1	5/2007
GB	2 446 205 A	8/2008

**OTHER PUBLICATIONS**

Examination Report for AU 341324, dated Oct. 24, 2012.

(Continued)

*Primary Examiner* — Dominic Simone

(74) *Attorney, Agent, or Firm* — Morgan, Lewis & Bockius LLP

(57) **CLAIM**

An ornamental design for a single-sole shoe with blue stripe and blue sole, as shown and described.

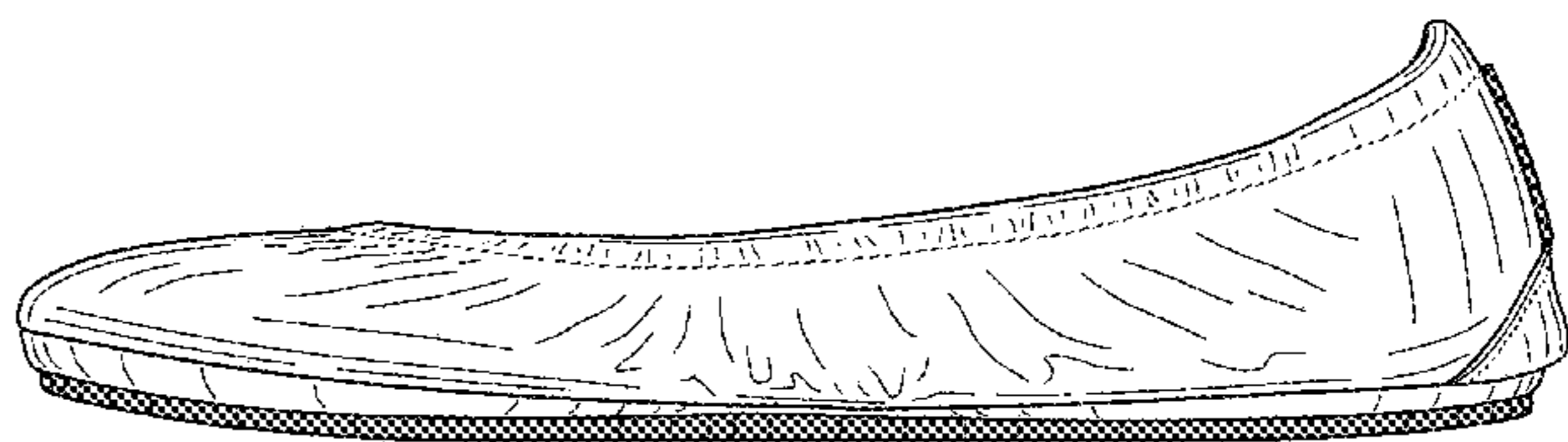
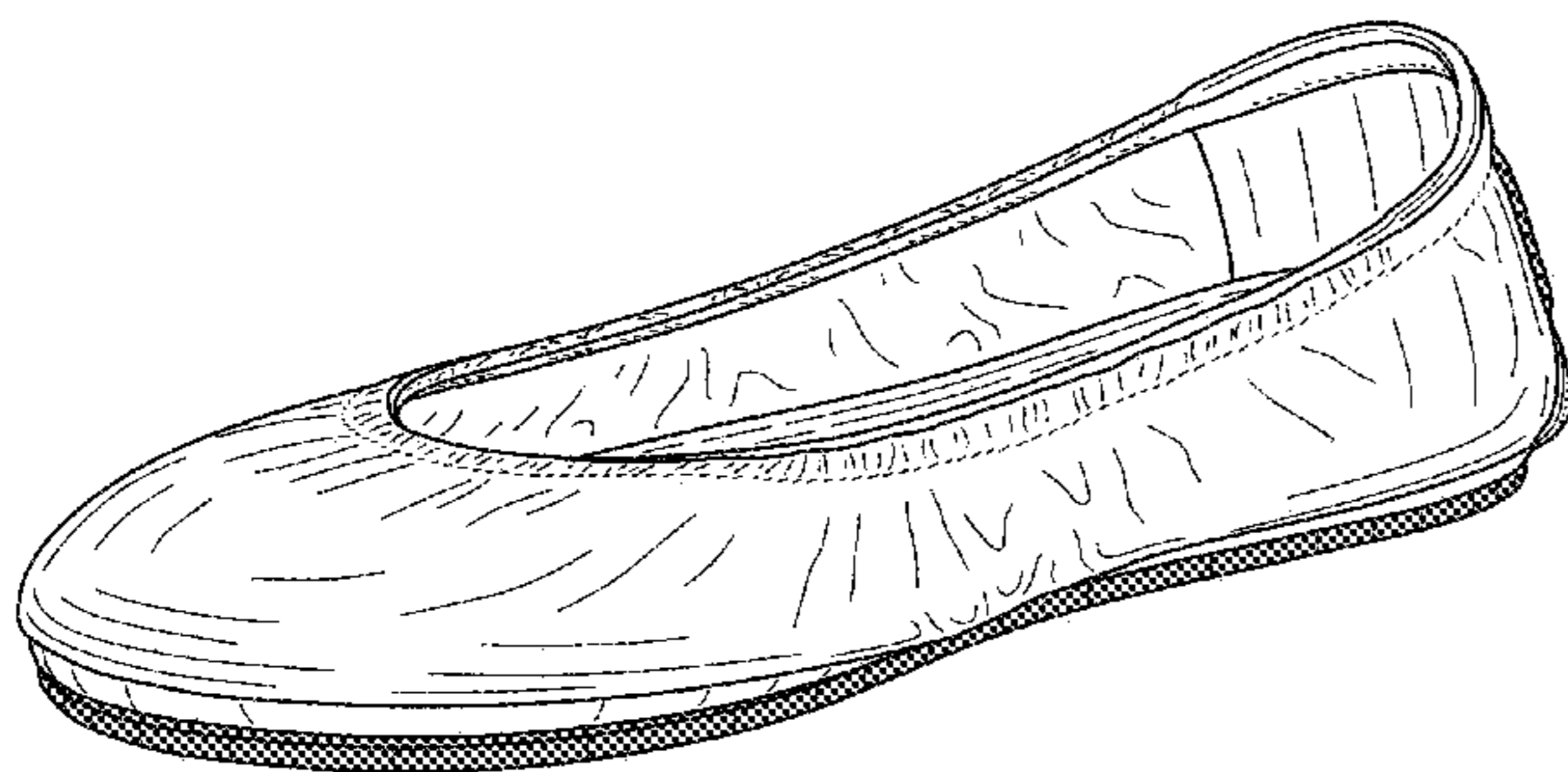
**DESCRIPTION**

The file of this patent contains at least one drawing executed in color. Copies of this patent with color drawing(s) will be provided by the Office upon request and payment of the necessary fee.

FIG. 1 is a perspective view of an embodiment of our new design of a single-sole shoe with blue stripe and blue sole; FIG. 2 is a first side view of the design of FIG. 1; FIG. 3 is a second side view of the design of FIG. 1; FIG. 4 is a top view of the design of FIG. 1; FIG. 5 is a bottom view of the design of FIG. 1; FIG. 6 is a front view of the design of FIG. 1; FIG. 7 is a back view of the design of FIG. 1; FIG. 8 is a perspective view of a second embodiment of our new design of a single-sole shoe with blue stripe and blue sole, where the blue portions are indicated using the USPTO convention of horizontal lines for blue, such as Pantone PMS 3242-3278, PMS 2905-2995, and 7453C-7472C; FIG. 9 is a first side view of the design of FIG. 8; FIG. 10 is a second side view of the design of FIG. 8; FIG. 11 is a top view of the design of FIG. 8; FIG. 12 is a bottom view of the design of FIG. 8; FIG. 13 is a front view of the design of FIG. 8; FIG. 14 is a back view of the design of FIG. 8; FIG. 15 is a perspective view of a third embodiment of our new design of a single-sole shoe with blue stripe and blue sole, where the blue portions are indicated using a checkered pattern to indicate the blue color Pantone 7466C; FIG. 16 is a first side view of the design of FIG. 15; FIG. 17 is a second side view of the design of FIG. 15; FIG. 18 is a top view of the design of FIG. 15; FIG. 19 is a bottom view of the design of FIG. 15; FIG. 20 is a front view of the design of FIG. 15; and, FIG. 21 is a back view of the design of FIG. 15.

The broken lines illustrating the channel on the blue sole in the above described Figures are for illustrative purposes only and form no part of the claimed design. 0

**1 Claim, 18 Drawing Sheets**  
**(5 of 18 Drawing Sheet(s) Filed in Color)**



(56)

References Cited

U.S. PATENT DOCUMENTS

1,650,466 A 11/1927 Righter  
 2,268,777 A 1/1942 Scholl  
 D133,819 S \* 9/1942 Harris ..... D2/939  
 D149,685 S \* 5/1948 Sandler ..... D2/935  
 D150,729 S \* 8/1948 Sandler ..... D2/927  
 D166,090 S \* 3/1952 Maling ..... D2/897  
 2,904,814 A 9/1959 Scholl  
 D200,897 S \* 4/1965 Mitchell ..... D2/919  
 D247,396 S \* 3/1978 Schlerth ..... D2/939  
 D295,692 S \* 5/1988 Zuidema et al. .... D2/950  
 D300,085 S 3/1989 Ito et al.  
 D316,773 S 5/1991 Valle  
 D339,669 S \* 9/1993 Miller ..... D2/919  
 D341,022 S 11/1993 Zona  
 D351,719 S 10/1994 Piotrozcic  
 D396,341 S 7/1998 Lozano et al.  
 D397,238 S 8/1998 Lozano et al.  
 6,338,207 B1 1/2002 Chang  
 D457,292 S \* 5/2002 Sessa ..... D2/949  
 D461,947 S 8/2002 Merceron  
 D476,798 S 7/2003 Reynolds et al.  
 D498,041 S 11/2004 McClaskie  
 D500,191 S \* 12/2004 Belley et al. .... D2/969  
 D501,706 S 2/2005 McClaskie  
 D527,513 S \* 9/2006 Della Valle ..... D2/919  
 D531,790 S 11/2006 Wurzburg  
 D534,341 S \* 1/2007 Choi ..... D2/971  
 D542,513 S 5/2007 Amado et al.  
 D570,488 S 6/2008 Kirksey et al.  
 D571,548 S 6/2008 Seamans  
 D571,989 S 7/2008 Siegal  
 D576,397 S 9/2008 Couder  
 D580,640 S 11/2008 Wurzburg  
 D582,638 S 12/2008 Ringholz  
 7,506,459 B2 3/2009 Grisoni et al.  
 D591,031 S 4/2009 Confinco  
 D593,295 S \* 6/2009 Belley et al. .... D2/969  
 D593,297 S \* 6/2009 Belley et al. .... D2/969  
 D593,307 S \* 6/2009 Belley et al. .... D2/969  
 D599,093 S \* 9/2009 Issler ..... D2/971  
 D604,030 S 11/2009 Wilson  
 D607,194 S 1/2010 Zagula  
 D610,332 S 2/2010 Raichle  
 D610,785 S 3/2010 Smith

D612,140 S 3/2010 Moon  
 D612,141 S 3/2010 Moon  
 7,735,244 B1 6/2010 Ameche  
 D632,881 S 2/2011 Rosenberg  
 D634,528 S 3/2011 Oldenburg  
 D635,752 S 4/2011 Shea  
 D640,861 S 7/2011 Wilkenfeld  
 D655,076 S 3/2012 Rosenberg  
 D664,755 S 8/2012 Gavrieli et al.  
 8,245,420 B2 8/2012 Wilson  
 D668,027 S 10/2012 Millieret  
 D668,438 S 10/2012 Millieret  
 D668,847 S \* 10/2012 Gavrieli et al. .... D2/939  
 D668,848 S \* 10/2012 Gavrieli et al. .... D2/939  
 D669,674 S 10/2012 Vidal  
 D672,542 S 12/2012 Gray et al.  
 D676,634 S 2/2013 Gavrieli et al.  
 2004/0025377 A1 2/2004 Brannon  
 2006/0026868 A1 2/2006 Grisoni  
 2006/0086005 A1 4/2006 Yerianm  
 2007/0620664 3/2007 McClaskie  
 2009/0193685 A1 8/2009 Wilson  
 2009/0272009 A1 11/2009 Weisner et al.  
 2010/0018080 A1 1/2010 Smith  
 2010/0115793 A1 5/2010 Kraisosky  
 2011/0214312 A1 9/2011 Krikelis

OTHER PUBLICATIONS

The Love List, "Tieks by Gavrieli—Foldable Ballet Flats", Sep. 12, 2010. <http://thelovelist-carly.blogspot.com.au/2010/09/tieks-by-gavrielli-foldable-ballet.html>.  
 Wearability—Real People Style, "What came first, the City Flat or the Tieks" Aug. 29, 2010, <http://wearability.posterous.com/what-came-first-the-city-flat-or-the-tieks>.  
 Try It Mummy!, Tieks by Gavrieli, Dec. 9, 2010, <http://tryitmummy.blogspot.com.au/2010/12/tieks-by-gavrieli.html>.  
 Letter from TMI and Associates with Office Action dated Sep. 19, 2012 with old URL <http://www.payless.com/store/?&TLC=Womens&SLC=WomensNewArrivals&BLC=WomensNewArrivalsNewArrivals&Width=Regular&ItemCode=60131&LotNumber=062642&Type=Adult&Popularity=637&Descriptivein>.  
 Taiwanese Office Action for TW 101300726, dated Sep. 6, 2012.

\* cited by examiner

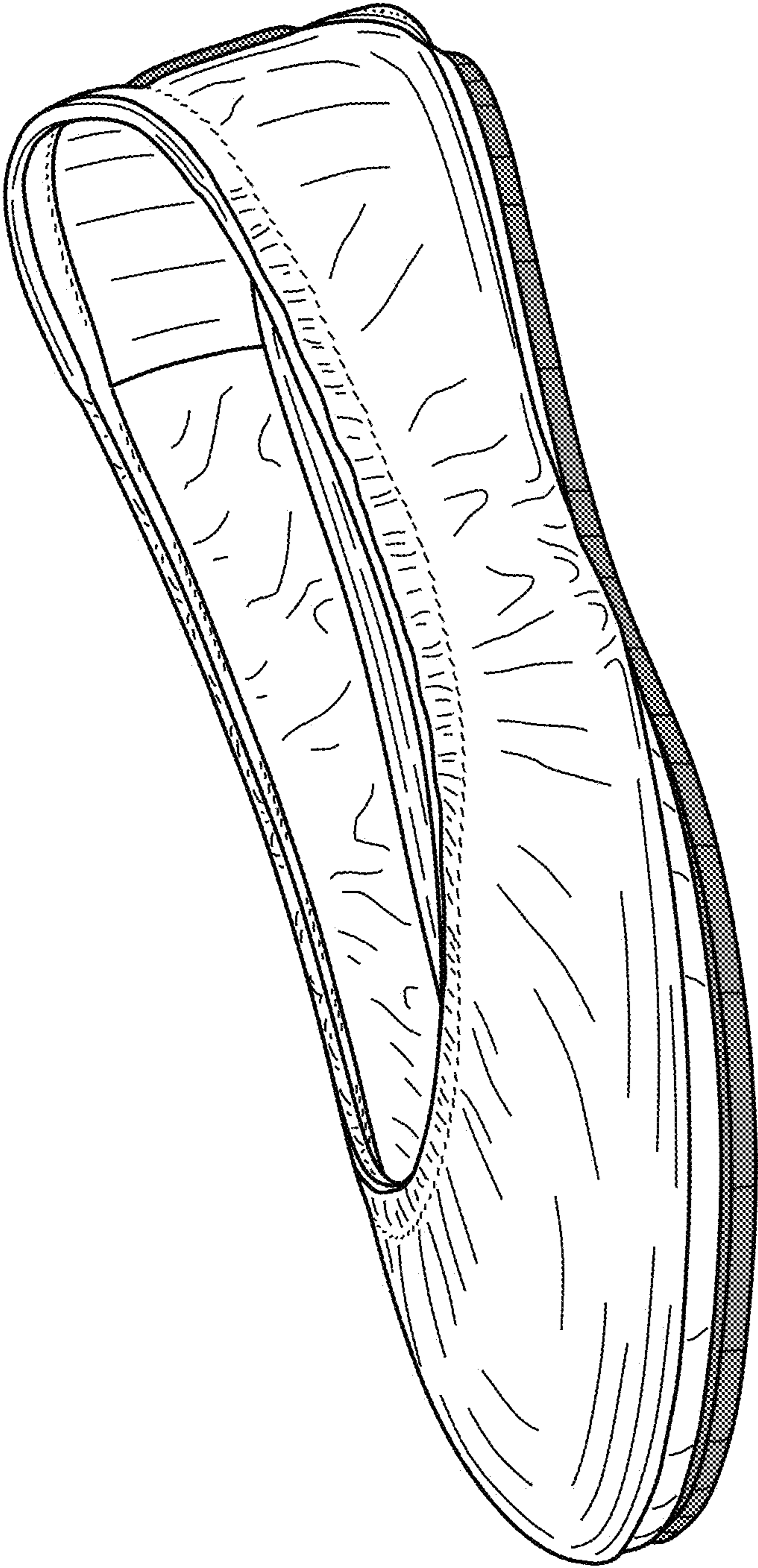


FIG. 1

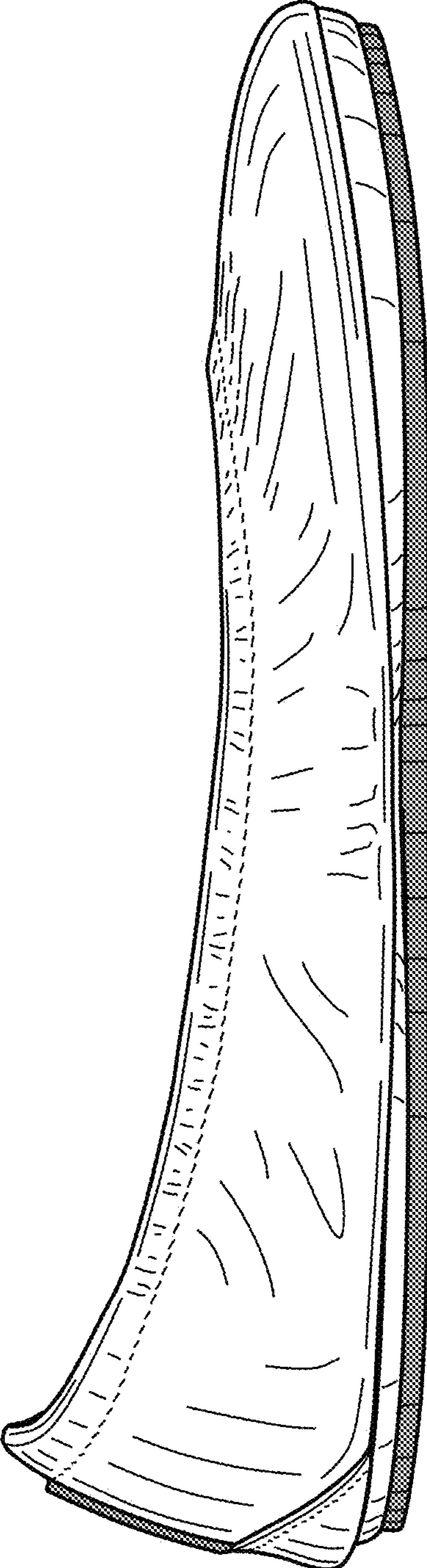


FIG. 2

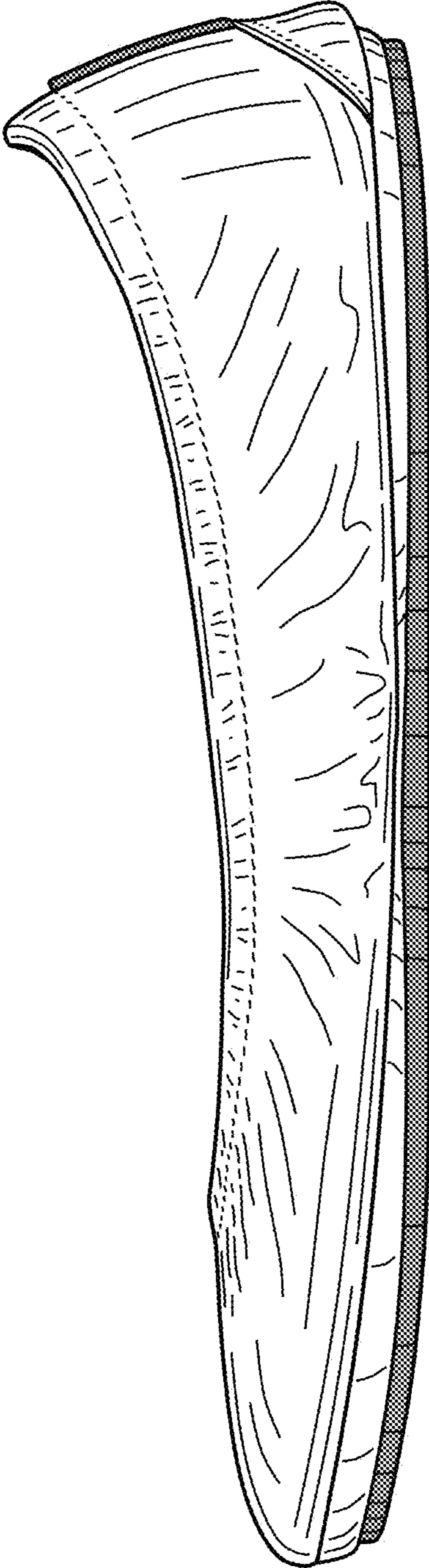


FIG. 3

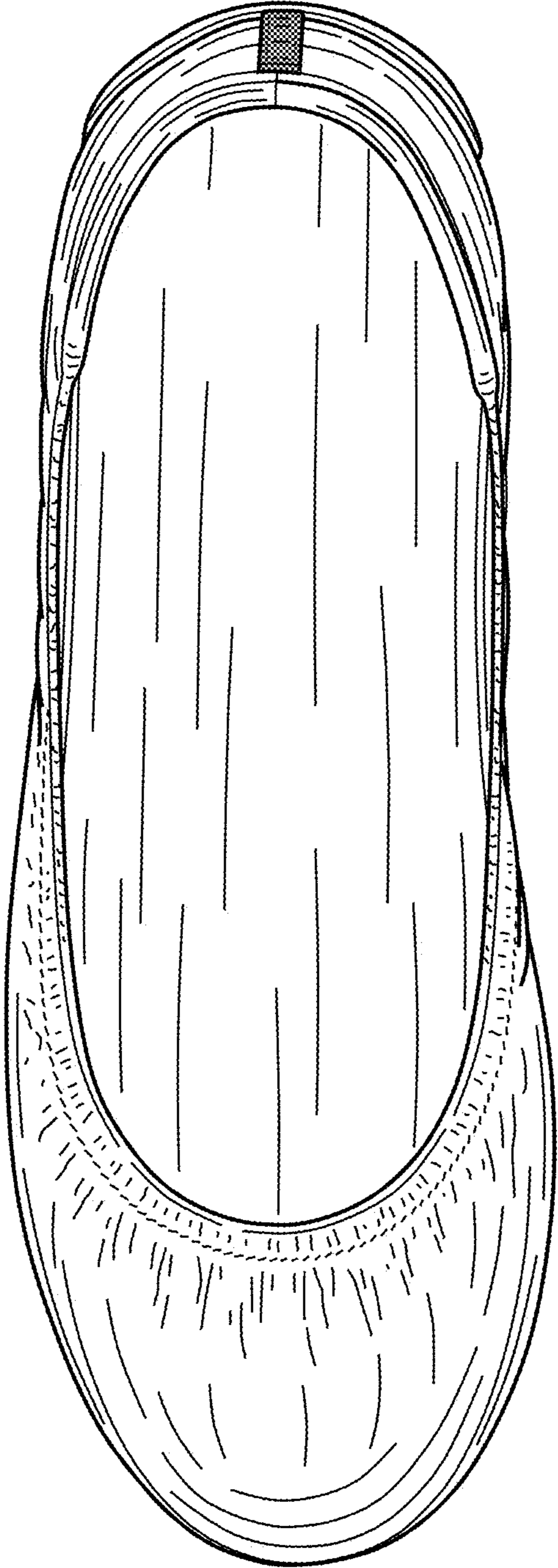


FIG. 4

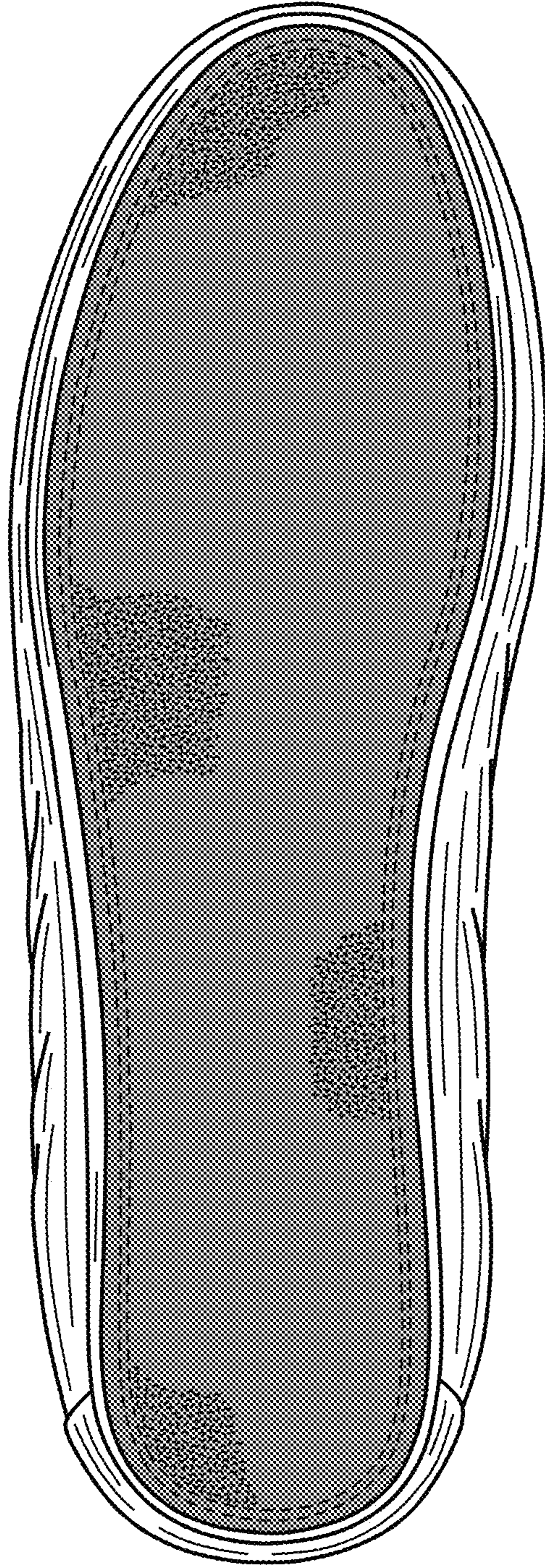


FIG. 5

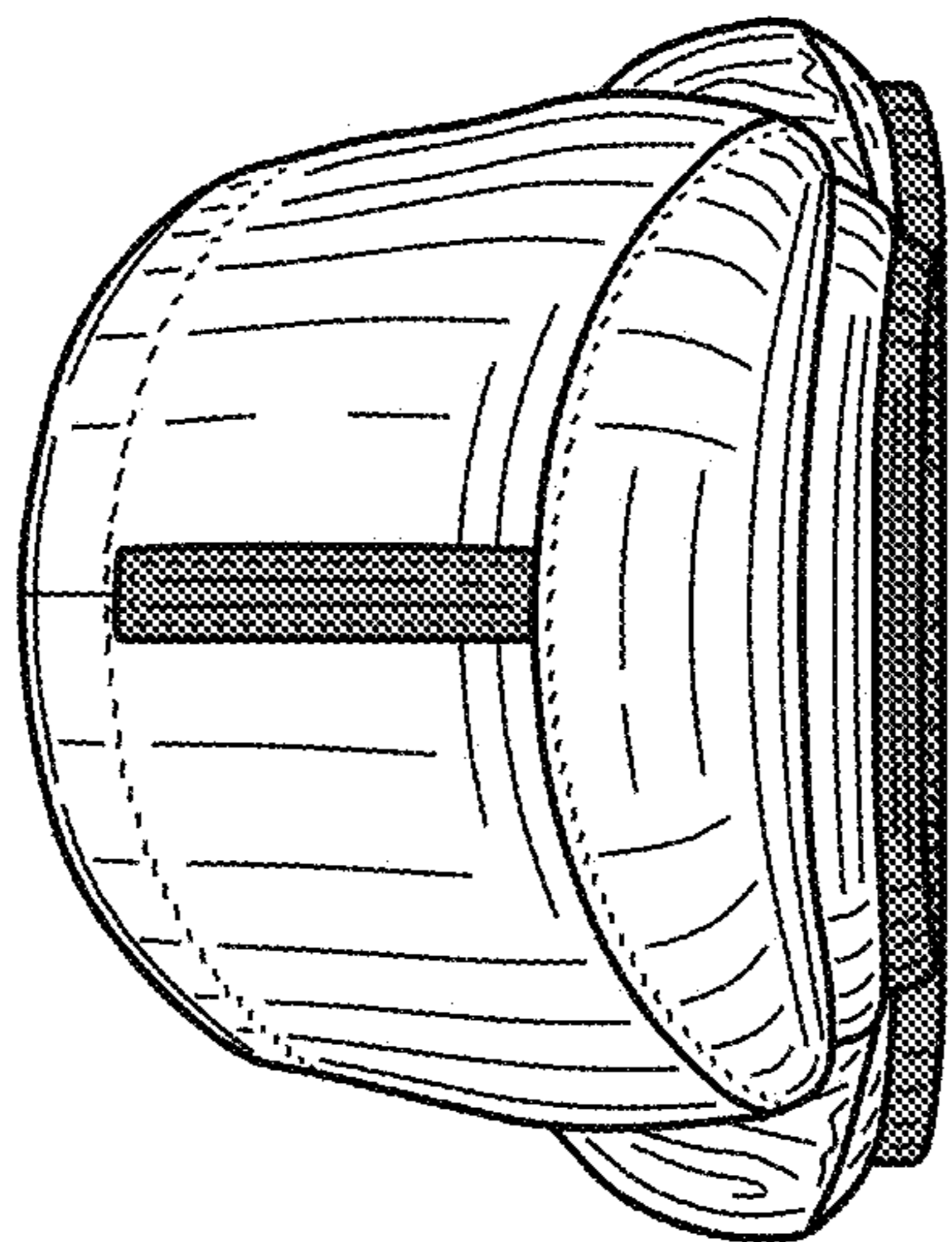


FIG. 7

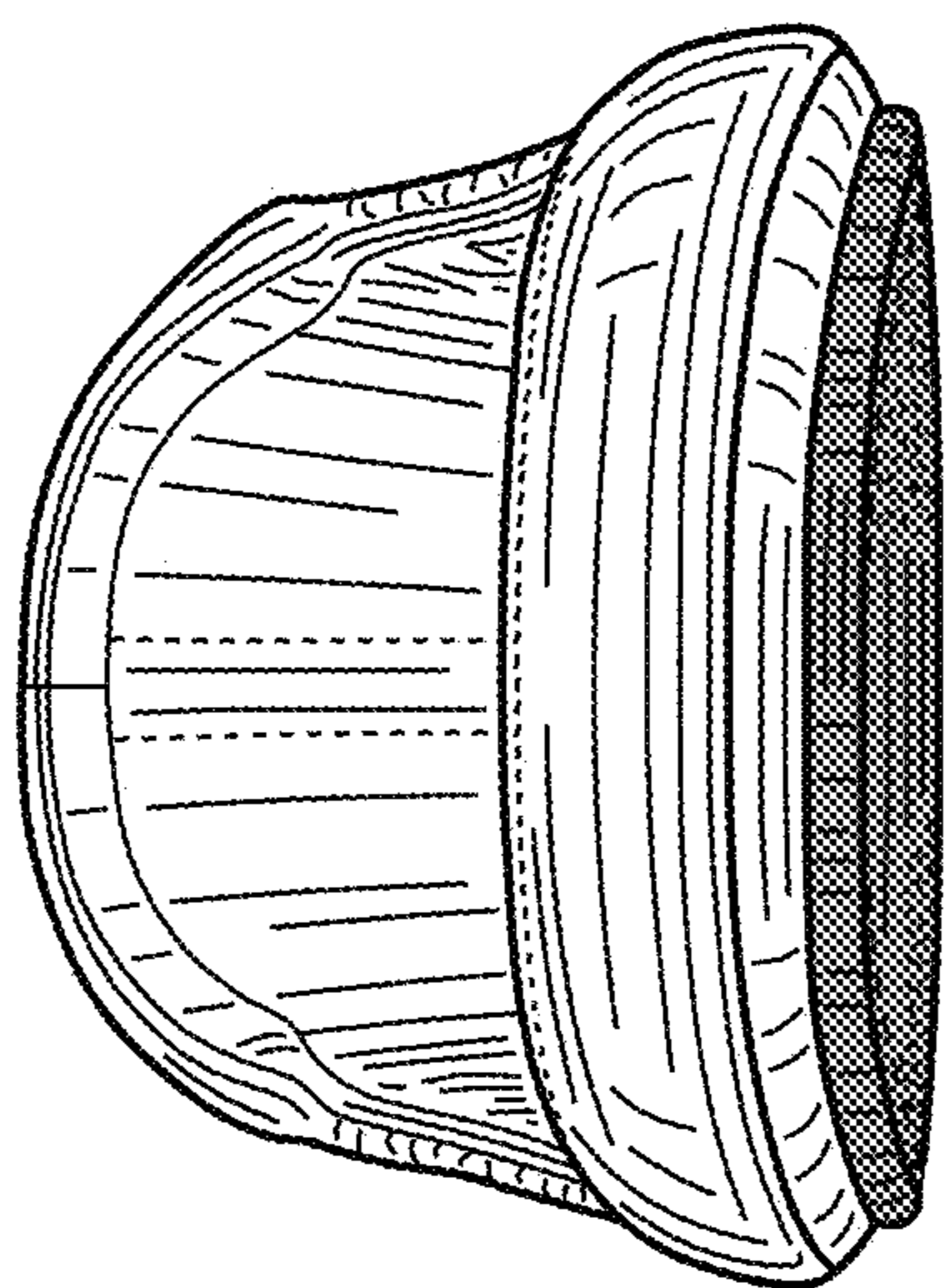


FIG. 6



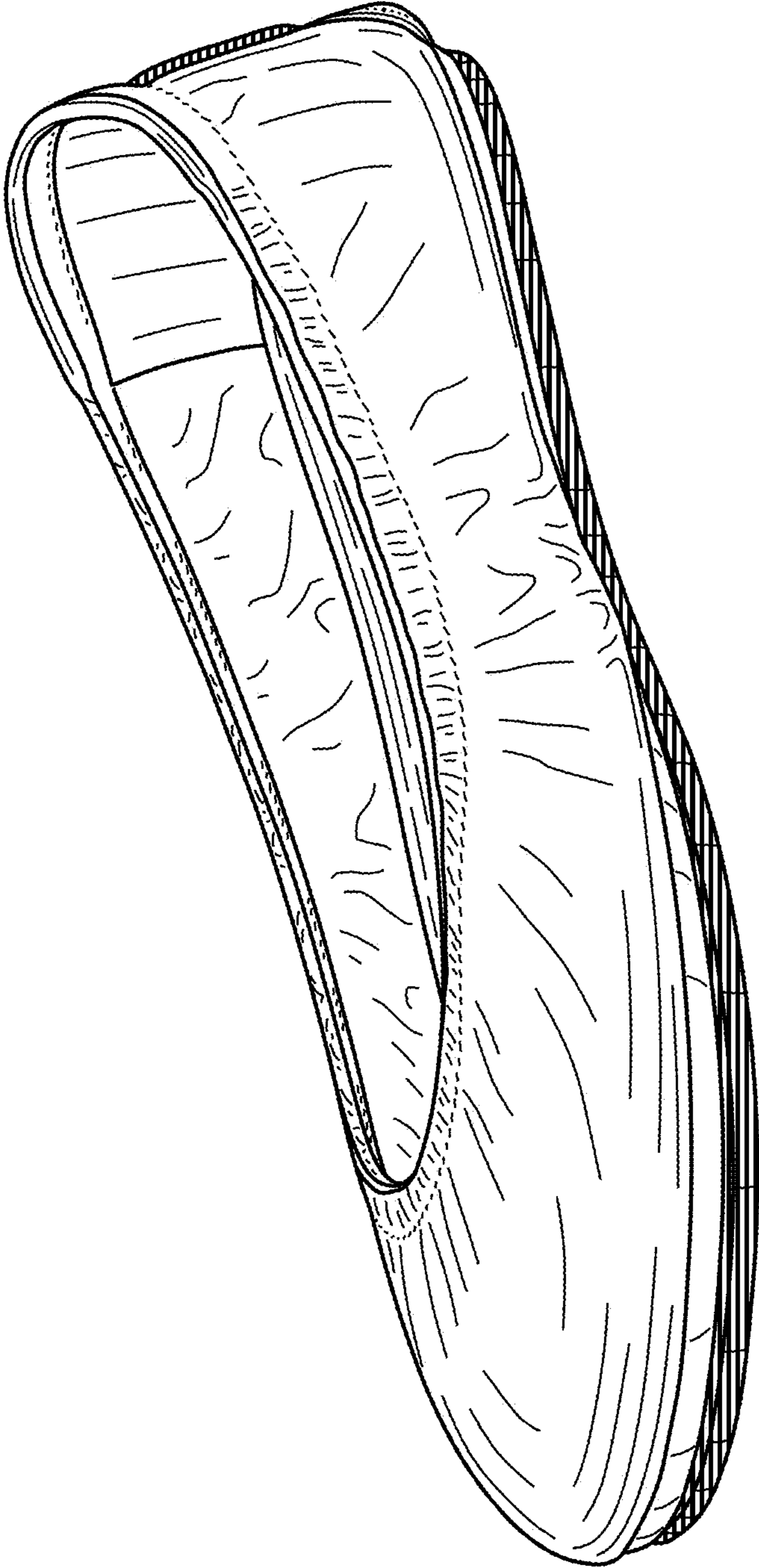


FIG. 8

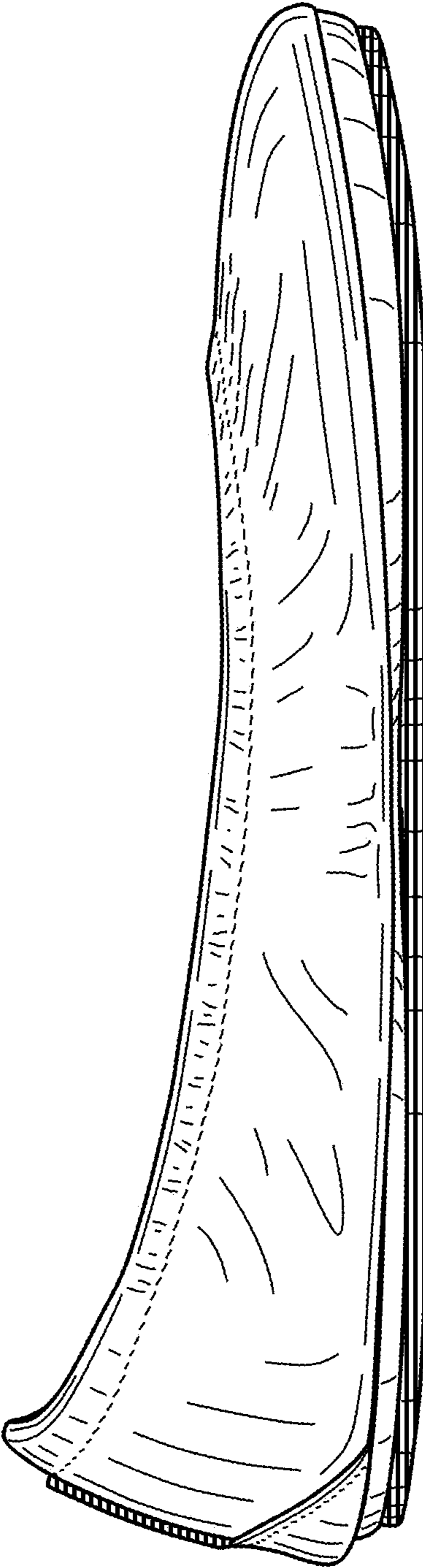


FIG. 9

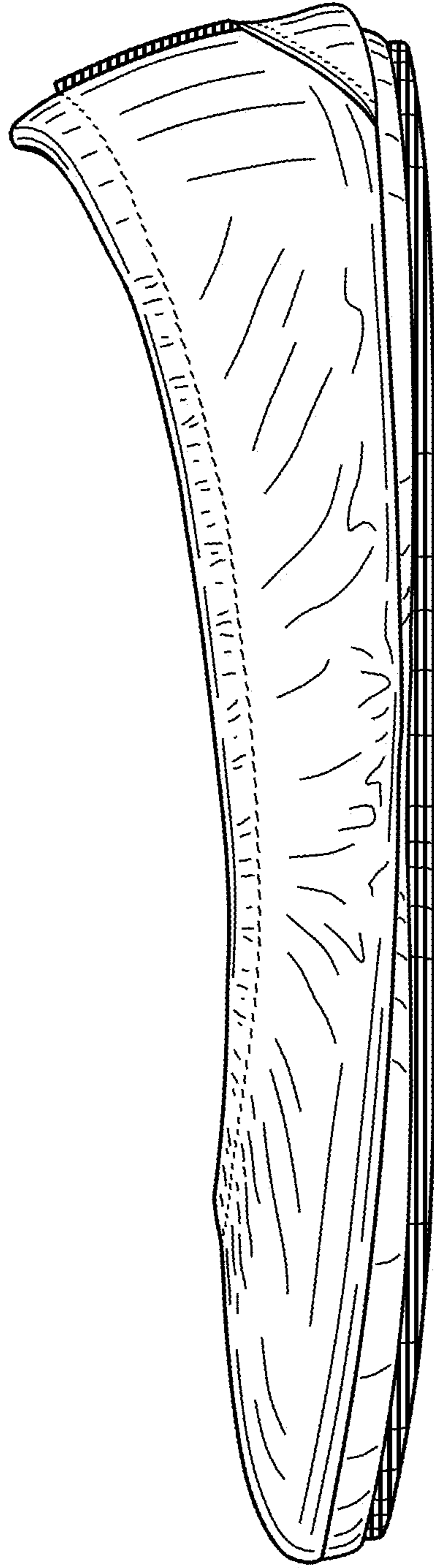


FIG. 10

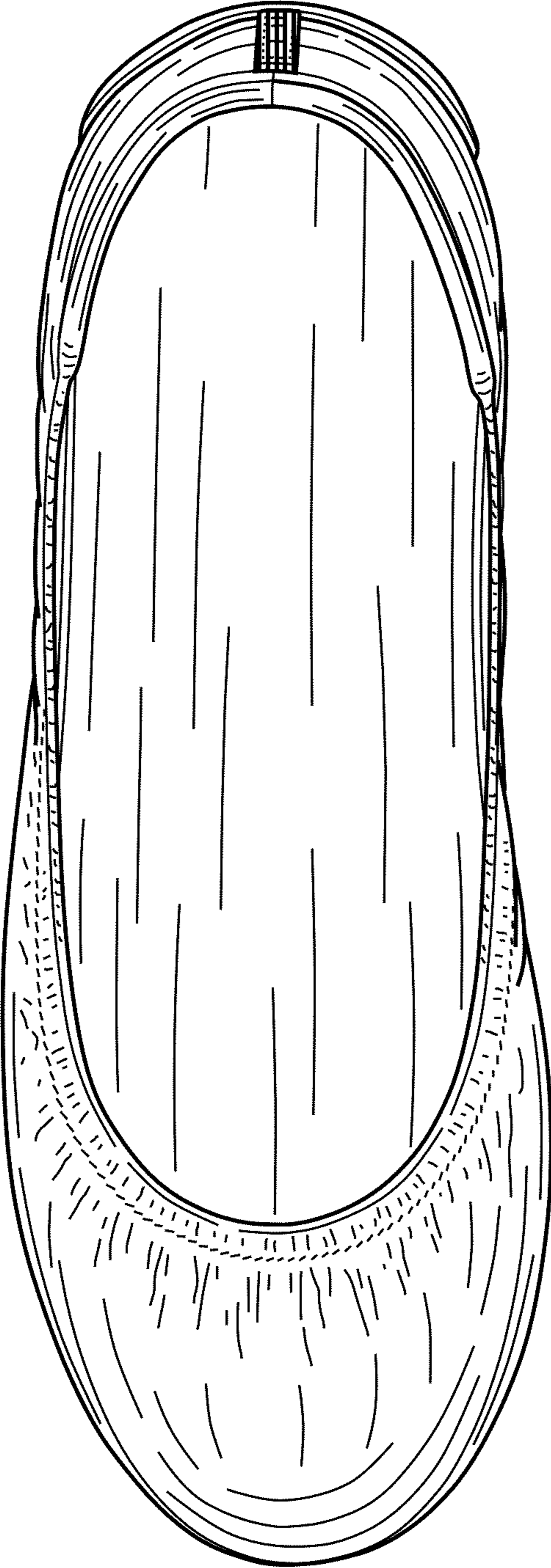


FIG. 11

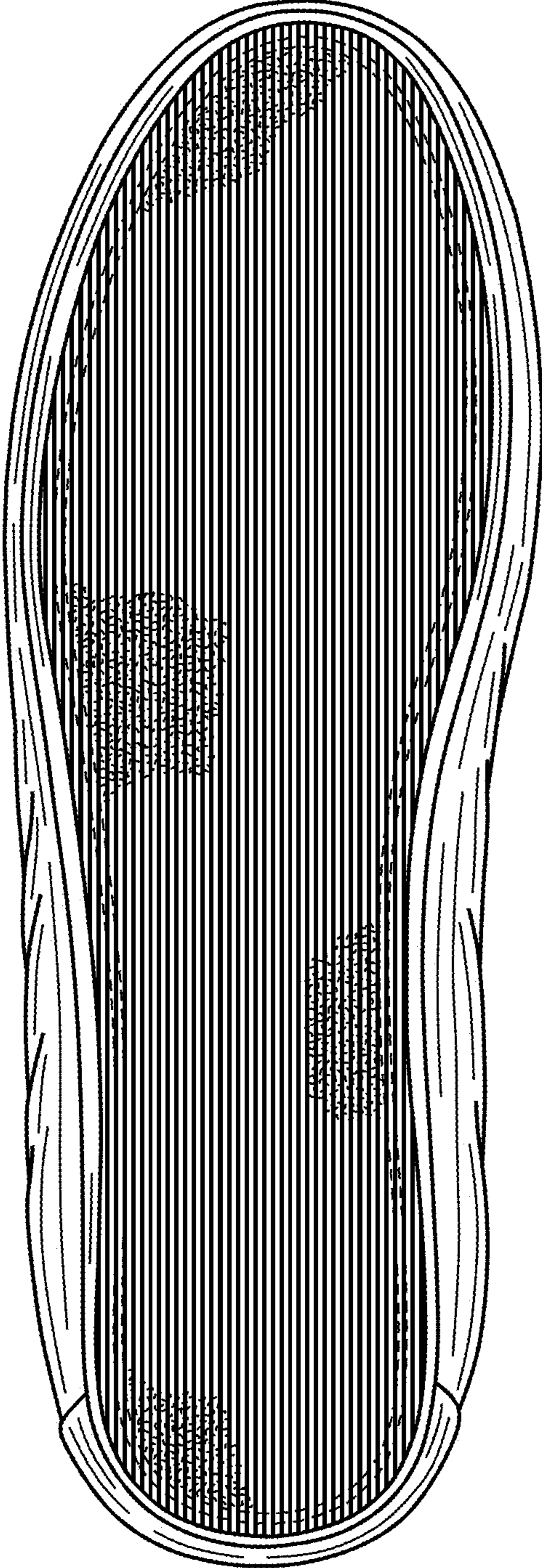


FIG. 12

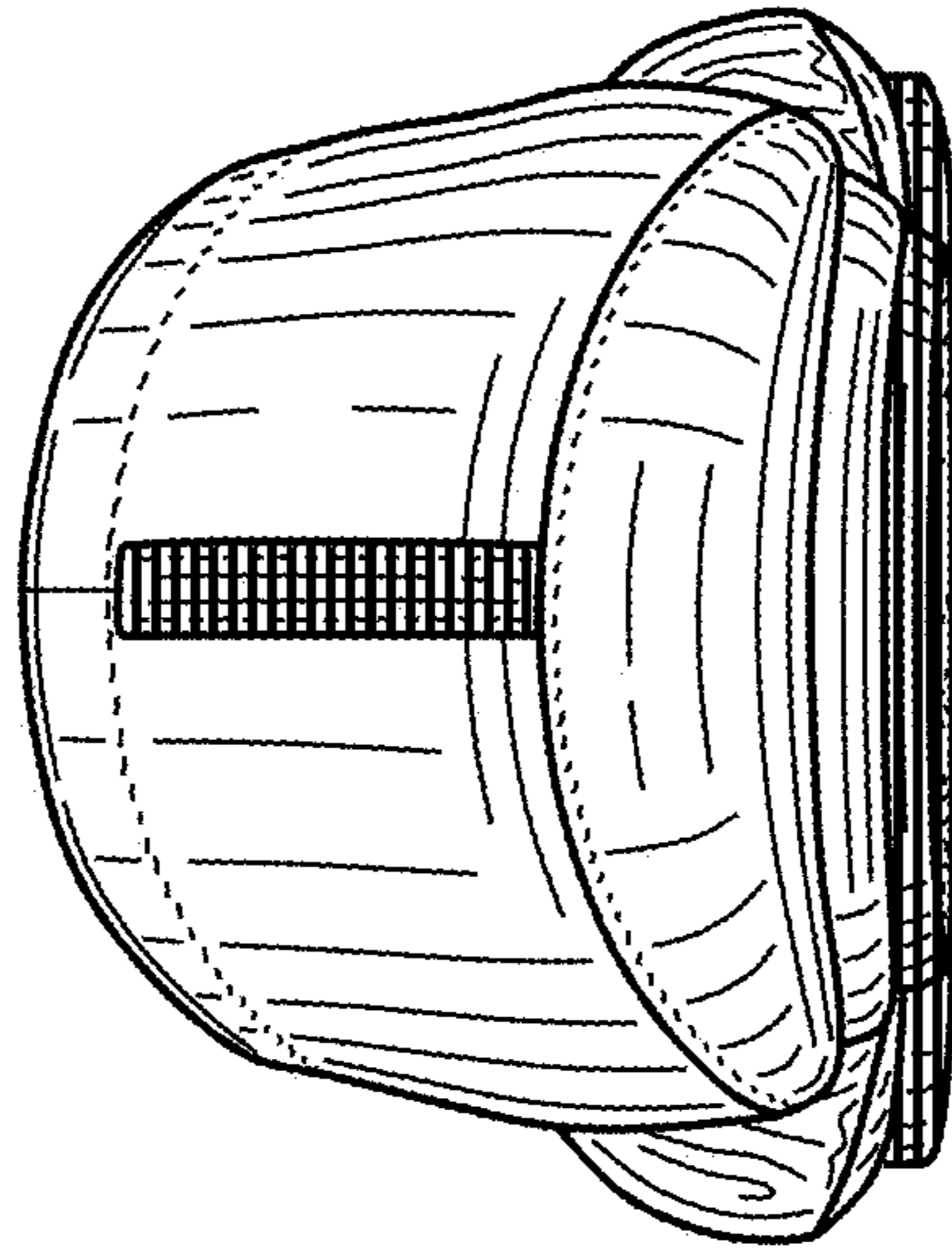


FIG. 14

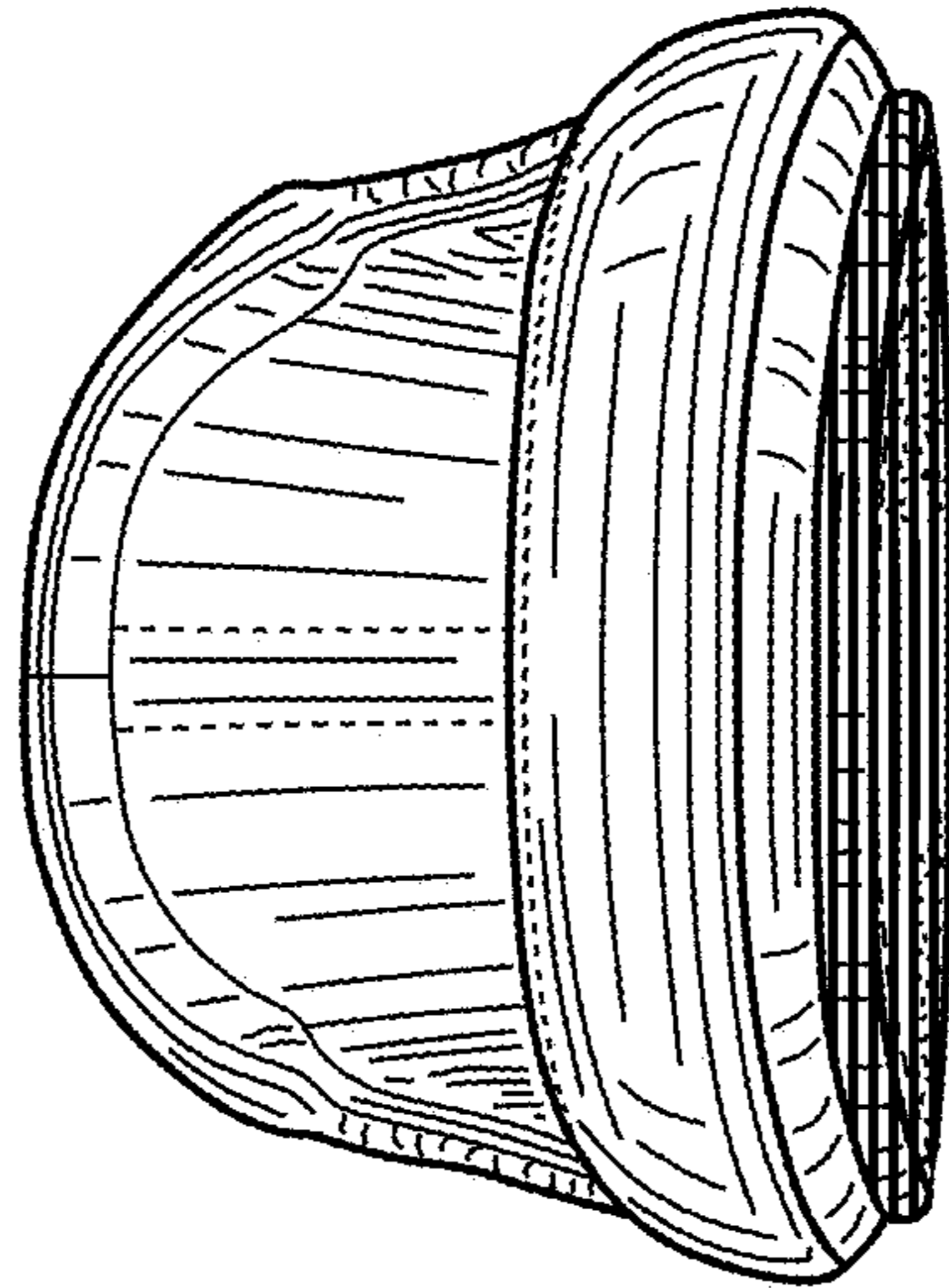


FIG. 13

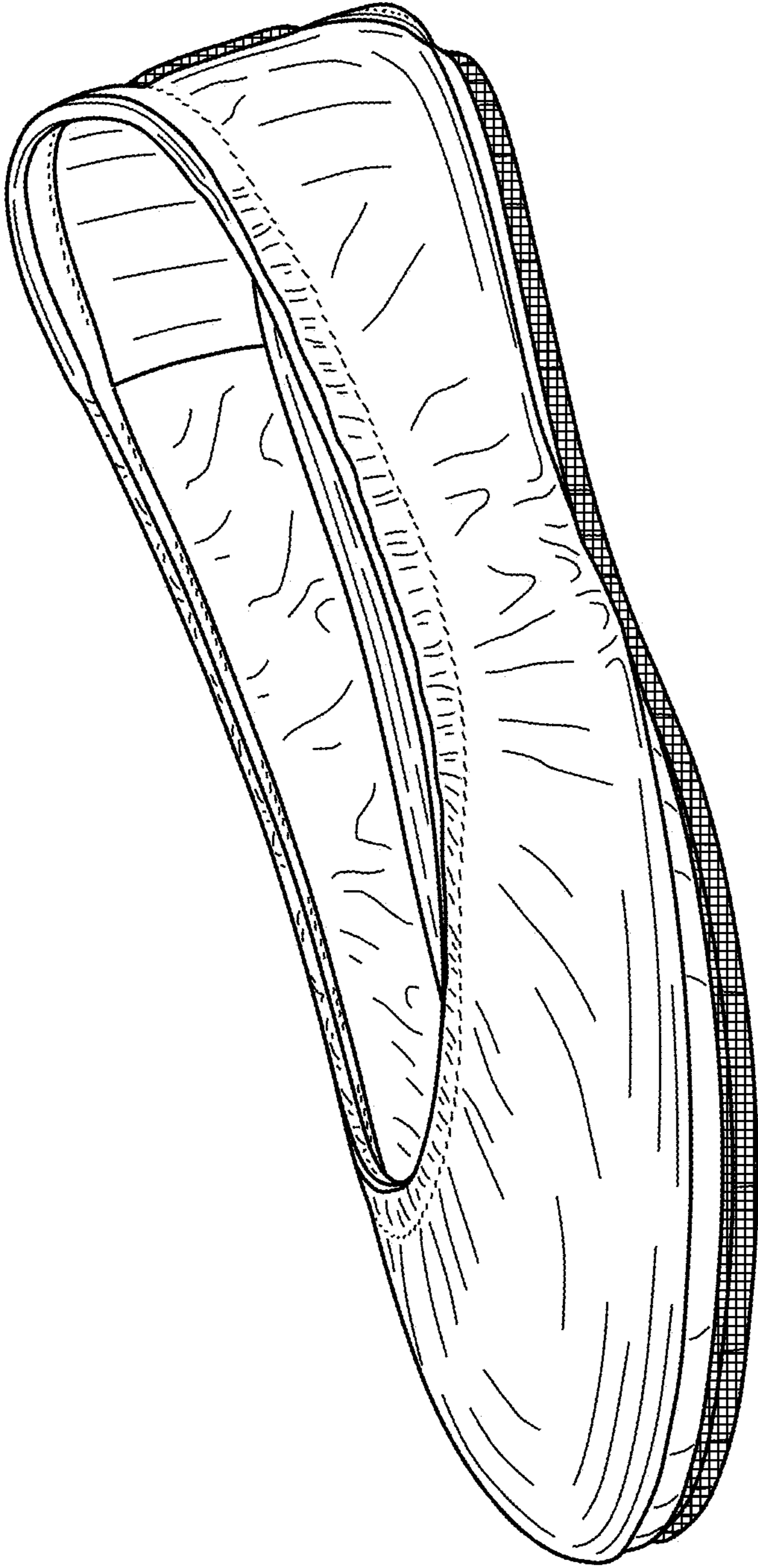


FIG. 15

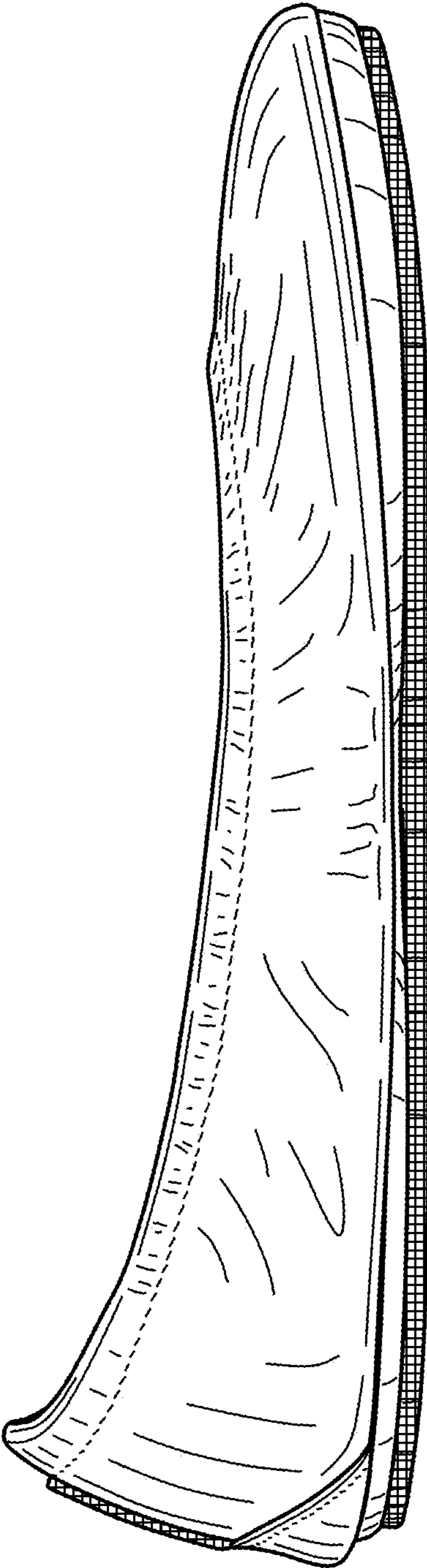


FIG. 16



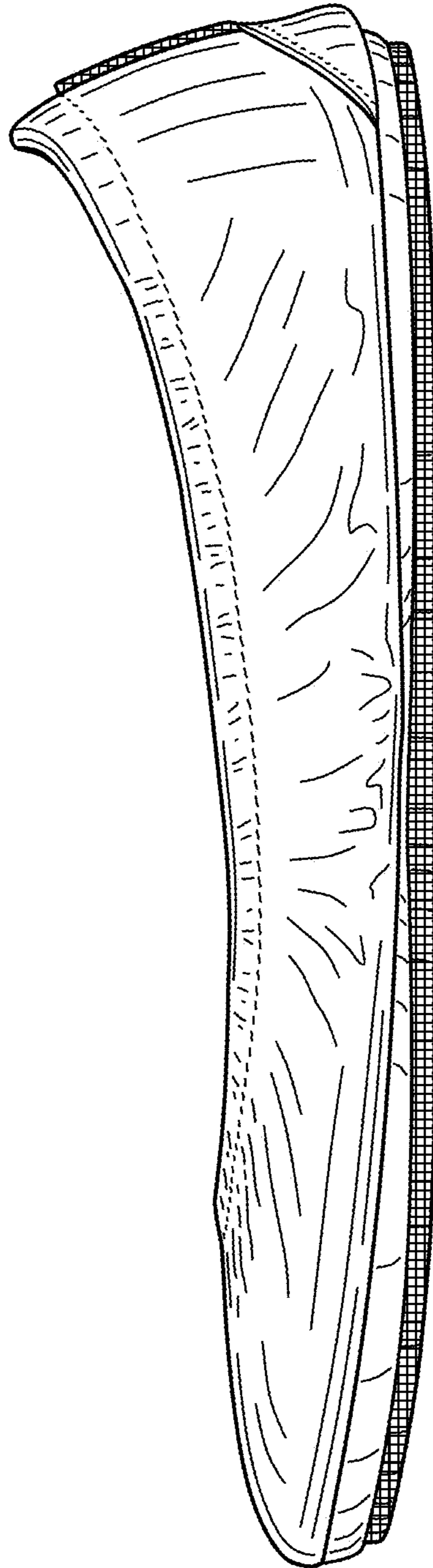


FIG. 17

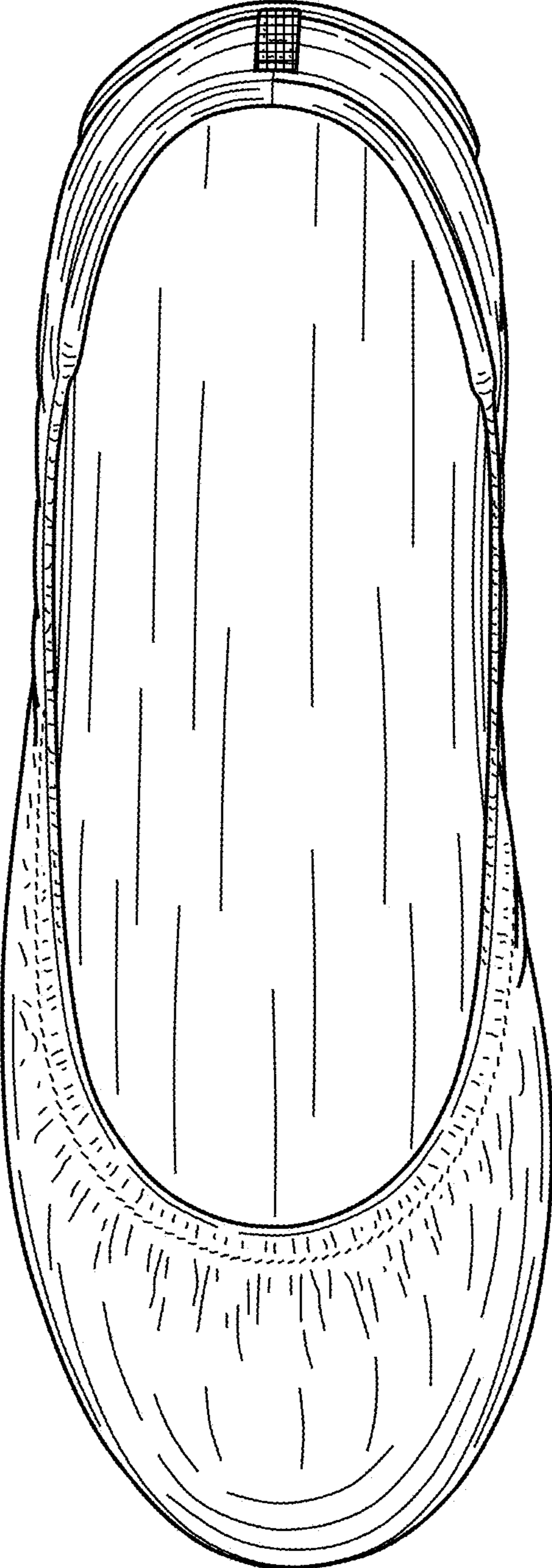


FIG. 18

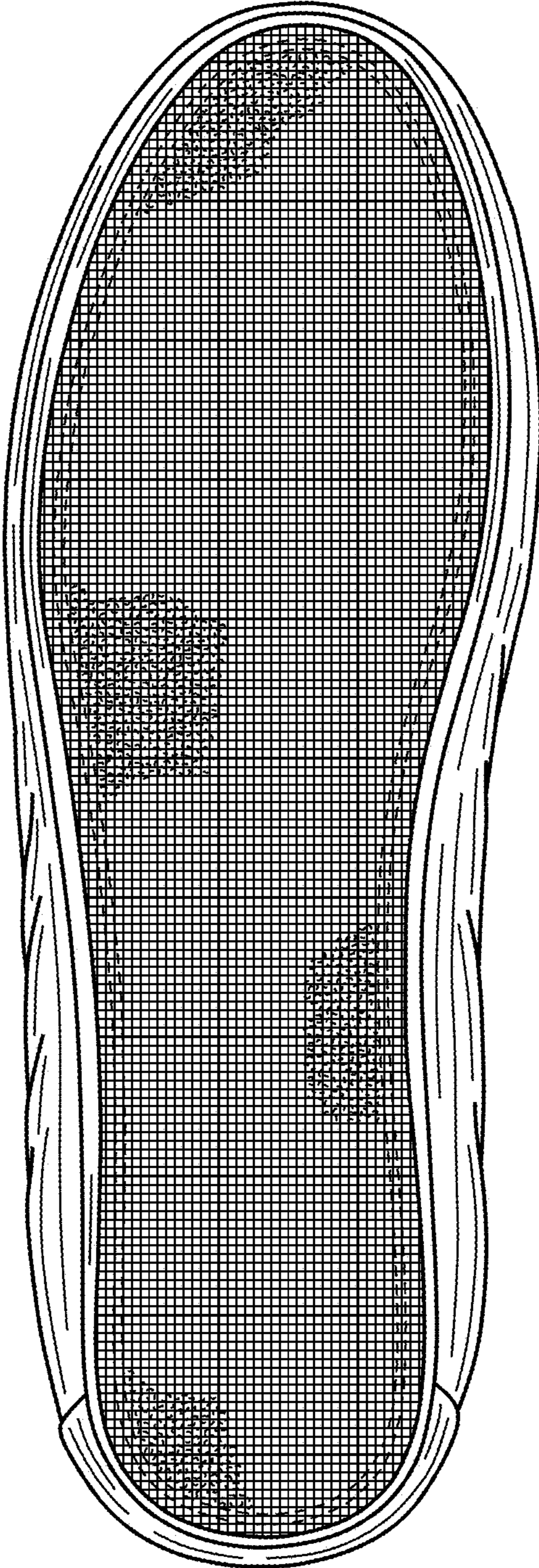


FIG. 19

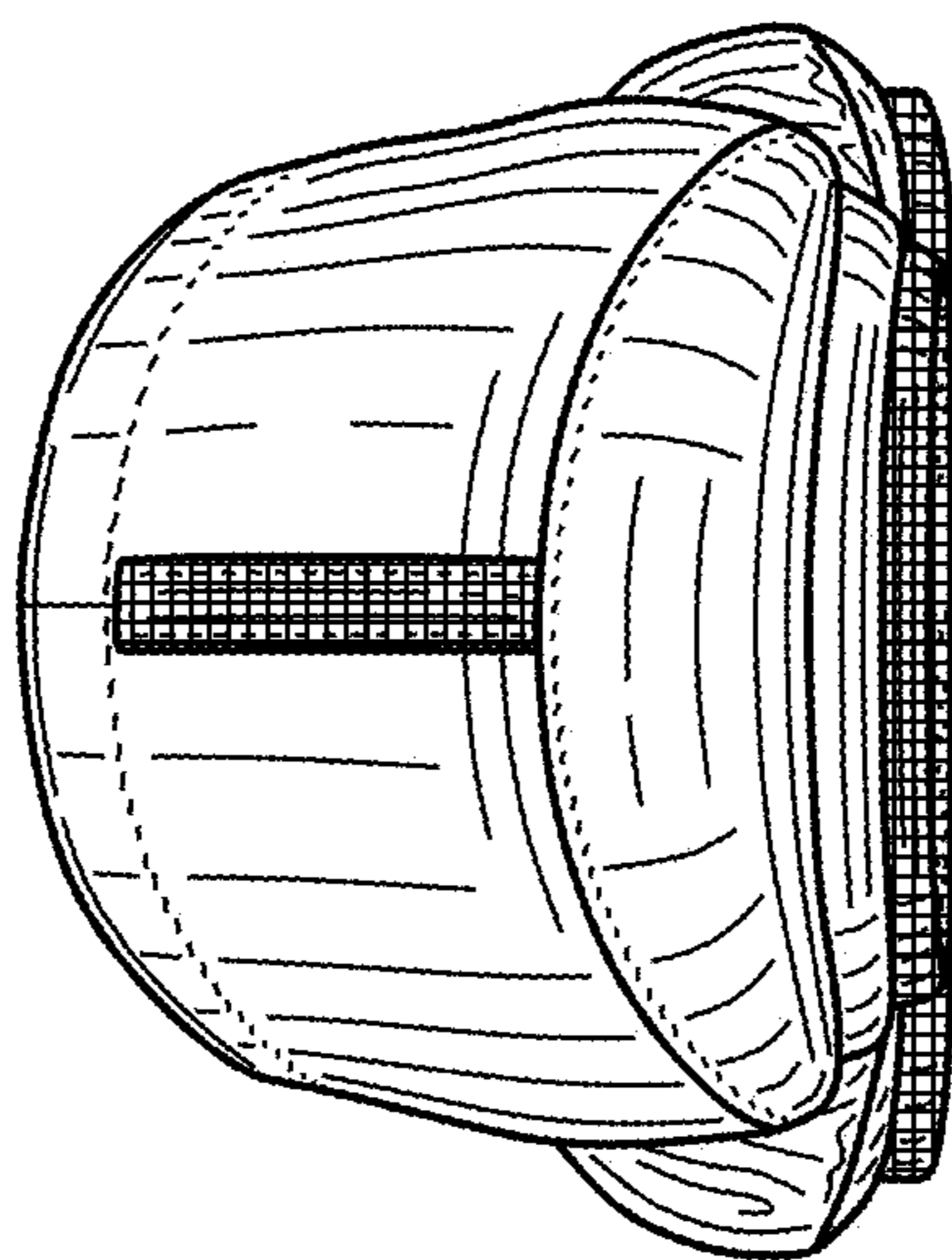


FIG. 21

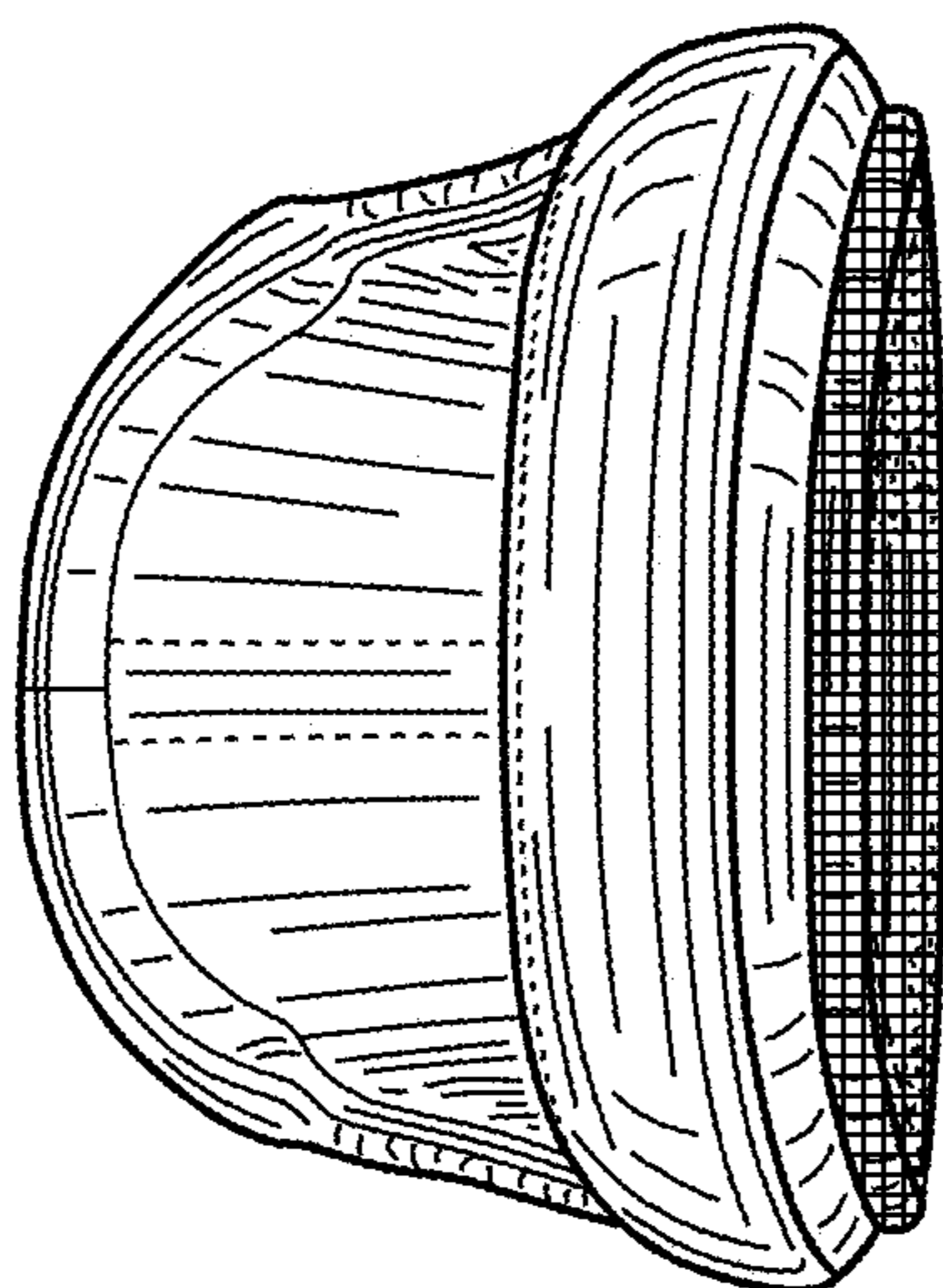


FIG. 20