



US00D690912S

(12) **United States Design Patent**
Choi

(10) **Patent No.:** **US D690,912 S**
(45) **Date of Patent:** **** Oct. 8, 2013**

(54) **FOOTWEAR**

- (75) Inventor: **Sandra Choi**, London (GB)
- (73) Assignee: **J. Choo Limited**, London (GB)
- (**) Term: **14 Years**
- (21) Appl. No.: **29/426,047**
- (22) Filed: **Jun. 29, 2012**

(30) **Foreign Application Priority Data**

Mar. 7, 2012 (EP) 002004424-0011
 Mar. 7, 2012 (EP) 002004424-0012

(51) **LOC (9) Cl.** **02-04**

(52) **U.S. Cl.**
 USPC **D2/917; D2/971**

(58) **Field of Classification Search**
 USPC D02/916, 917, 918, 925, 926, 929-936,
 D02/942, 969, 971; 36/86, 100, 101, 45-49,
 36/11.5, 8.3, 83, 88, 3 A, 7.5
 See application file for complete search history.

(56) **References Cited**

U.S. PATENT DOCUMENTS

D92,201 S	5/1934	Perugia	
D95,690 S *	5/1935	Koomruian	D2/918
D99,238 S *	4/1936	Golden	D2/900
D130,504 S *	11/1941	Maling	D2/918
D130,506 S *	11/1941	Maling	D2/918
D145,816 S *	10/1946	Payne	D2/916
D169,015 S *	3/1953	Ssicca	D2/917
D601,789 S	10/2009	Wilkinson	
D632,470 S	2/2011	Guers-Neyraud	
D632,472 S	2/2011	Issler	
D648,107 S *	11/2011	Spring	D2/969
D648,108 S *	11/2011	Spring	D2/969

OTHER PUBLICATIONS

J. Choo Limited, Blythe handbag, in article titled "Jimmy Choo Blythe: Office Chic" from www.bagsnob.com, by Bag Snob Tina on Jun. 22, 2009.

* cited by examiner

Primary Examiner — Robert M Spear
Assistant Examiner — Rashida C McCoy

(74) *Attorney, Agent, or Firm* — Fross Zelnick Lehrman & Zissu, P.C.; Lawrence E. Apolzon, Esq.

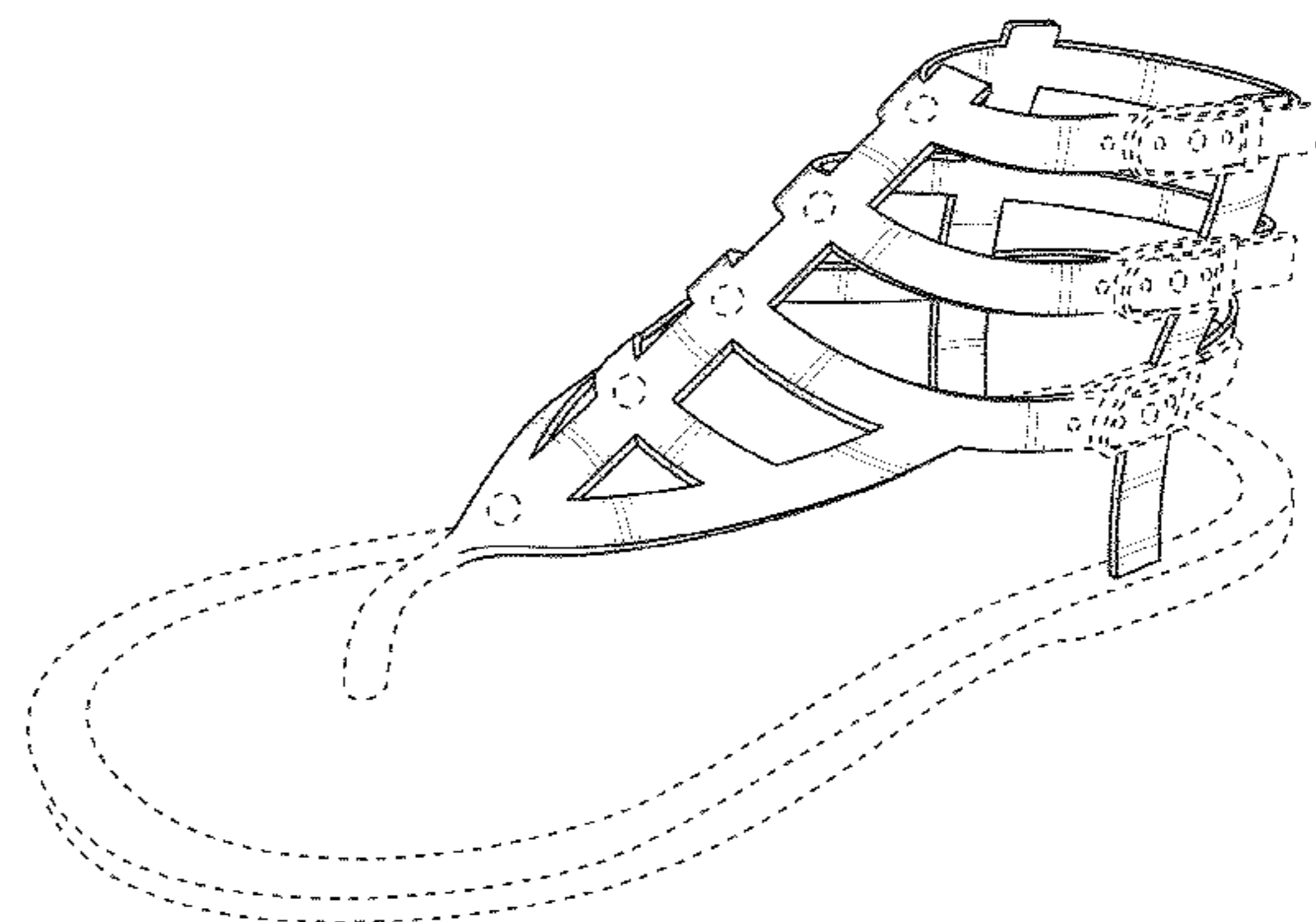
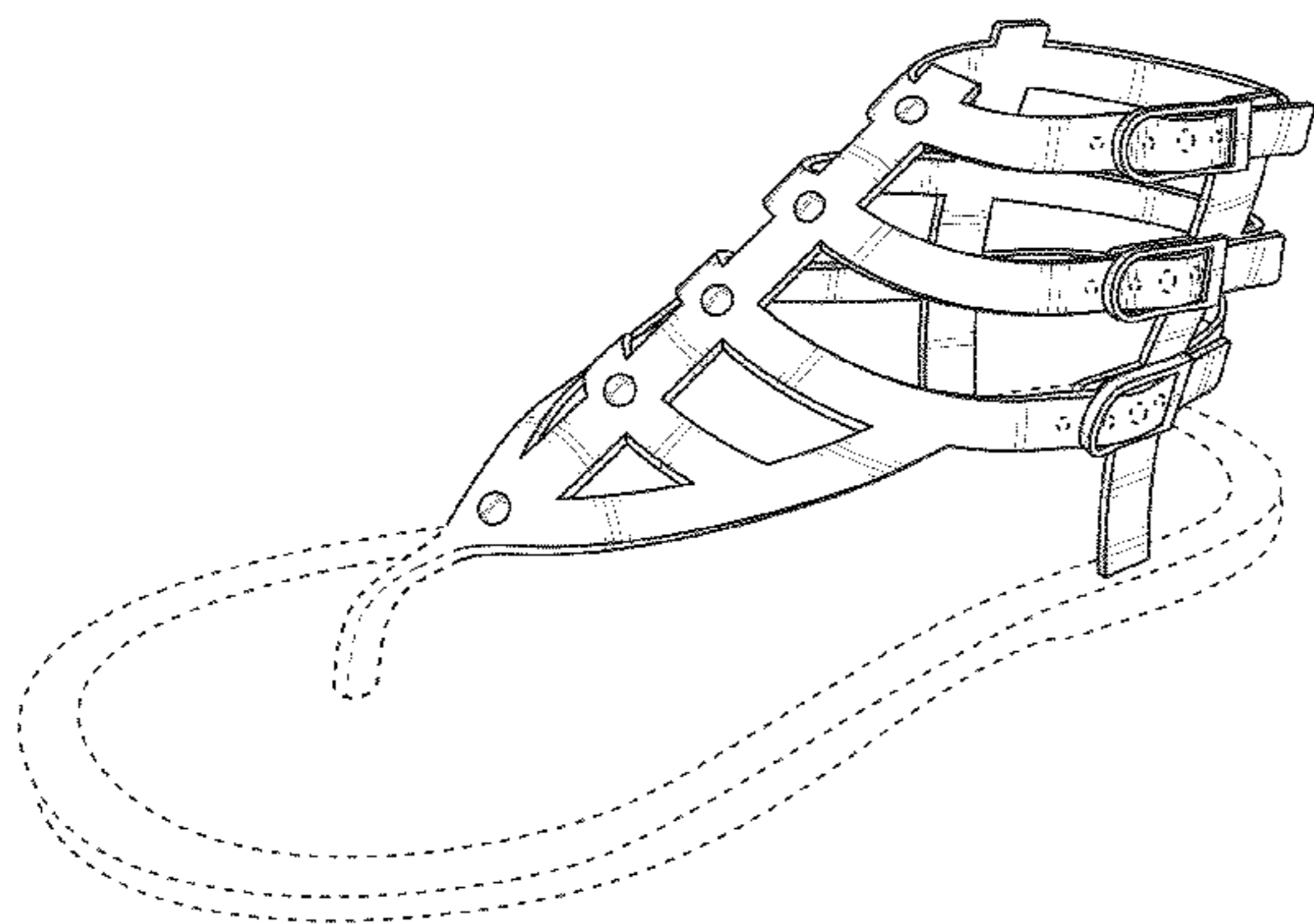
(57) **CLAIM**

The ornamental design for footwear, as shown and described.

DESCRIPTION

FIG. 1 is a front perspective view of a shoe showing my footwear design;
 FIG. 2 is a right side view of the footwear shown in FIG. 1;
 FIG. 3 is a left side view of the footwear shown in FIG. 1;
 FIG. 4 is a front view of the footwear shown in FIG. 1;
 FIG. 5 is a rear view of the footwear shown in FIG. 1;
 FIG. 6 is a top view of the footwear shown in FIG. 1;
 FIG. 7 is a front perspective view of an alternative embodiment of the footwear shown in FIG. 1;
 FIG. 8 is a right side view of the alternative embodiment of the footwear shown in FIG. 7;
 FIG. 9 is a left side view of the alternative embodiment of the footwear shown in FIG. 7;
 FIG. 10 is a front view of the alternative embodiment of the footwear shown in FIG. 7;
 FIG. 11 is a rear view of the alternative embodiment of the footwear shown in FIG. 7; and,
 FIG. 12 is a top view of the alternative embodiment of the footwear shown in FIG. 7.
 The broken line showing of the sole, footbed, toe hold, snaps, rivets and buckles in the relevant drawings shows unclaimed subject matter for the design in those drawings.

1 Claim, 10 Drawing Sheets



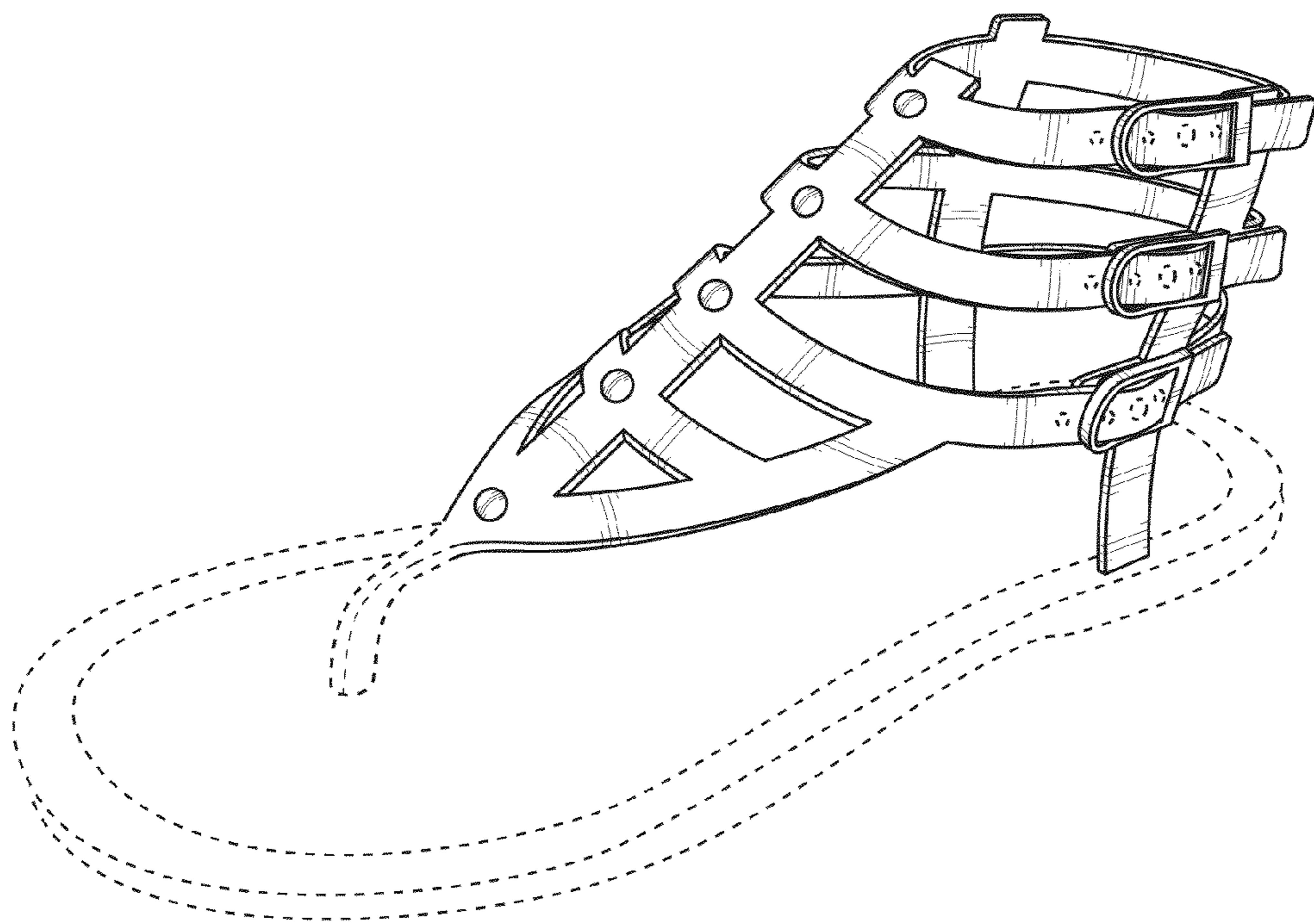


FIG. 1

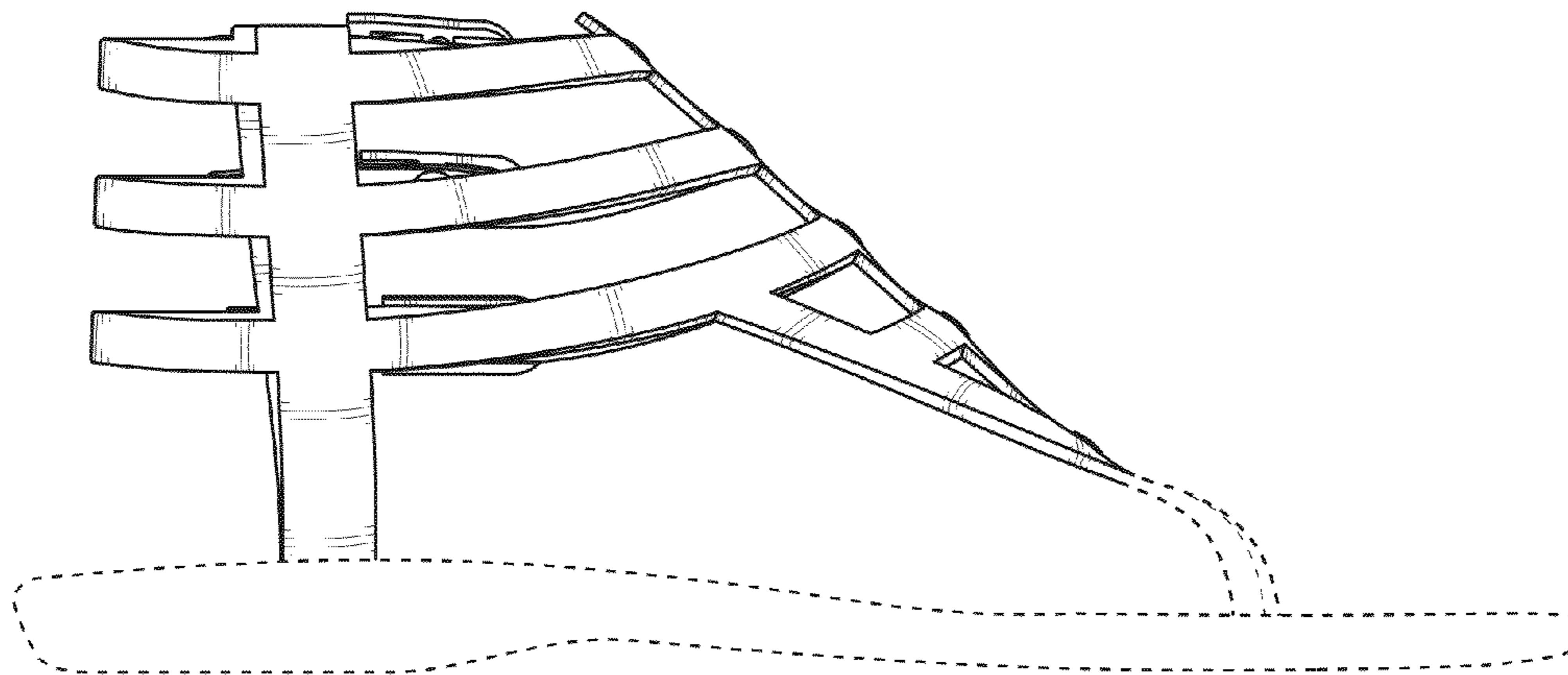


FIG. 2

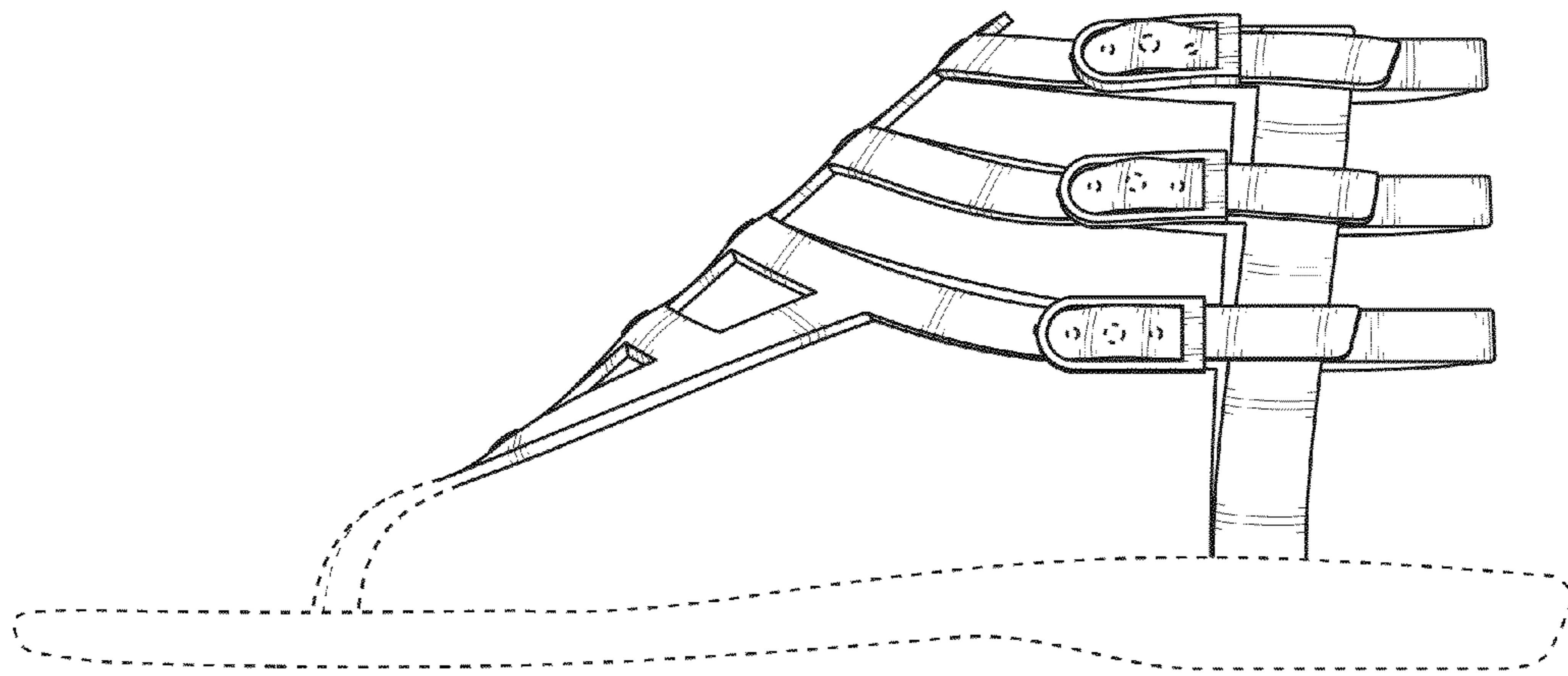


FIG. 3

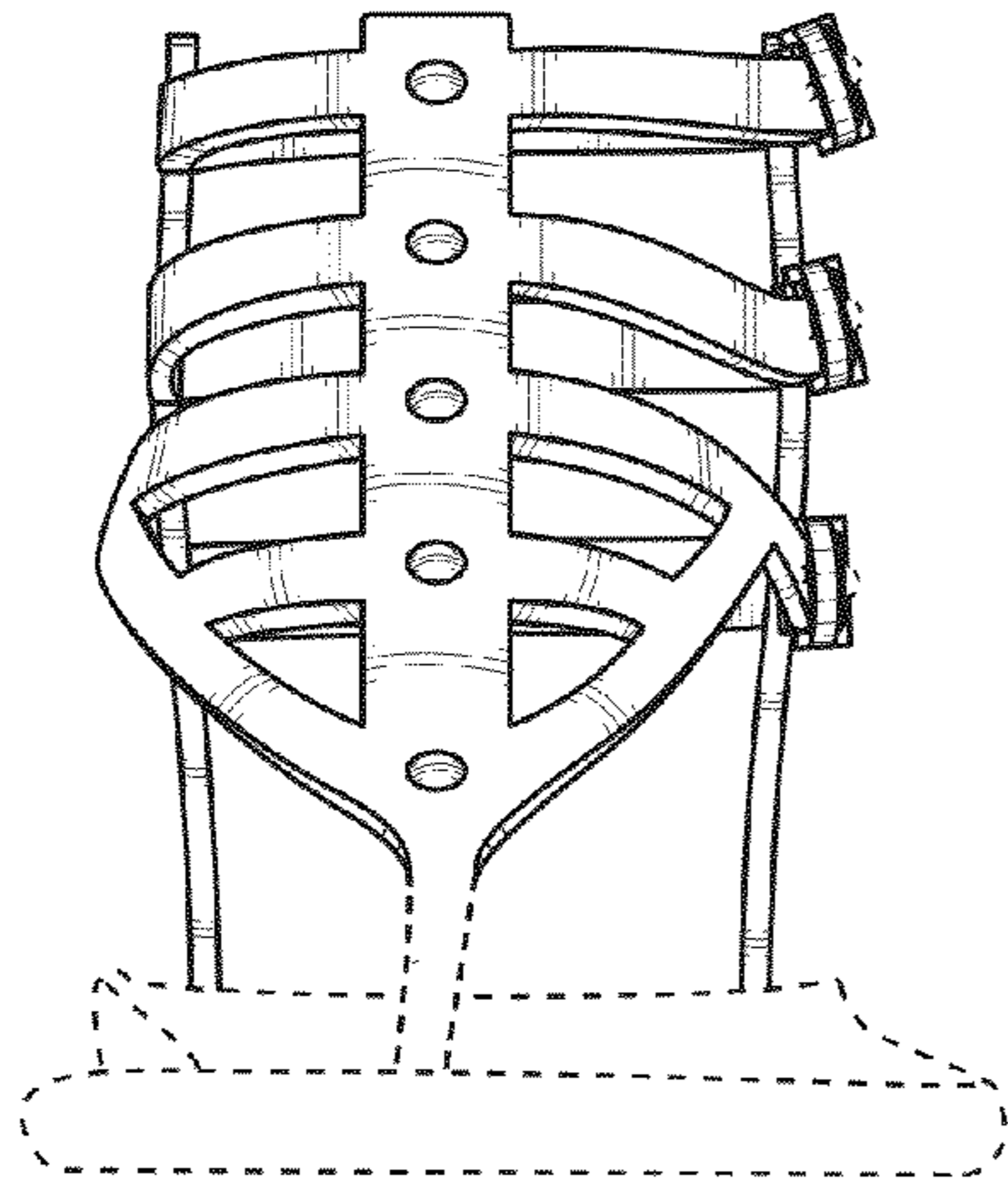


FIG. 4

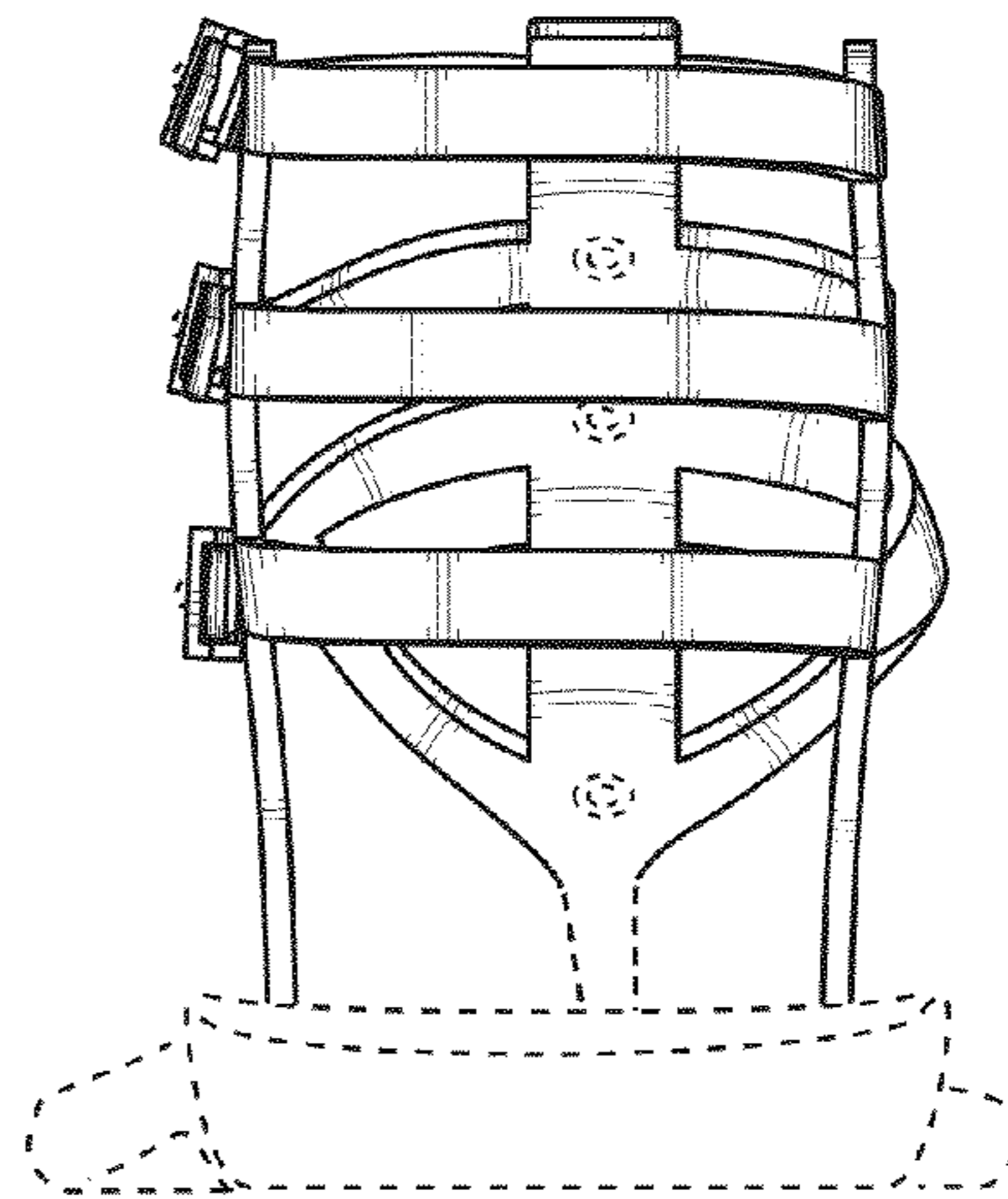


FIG. 5

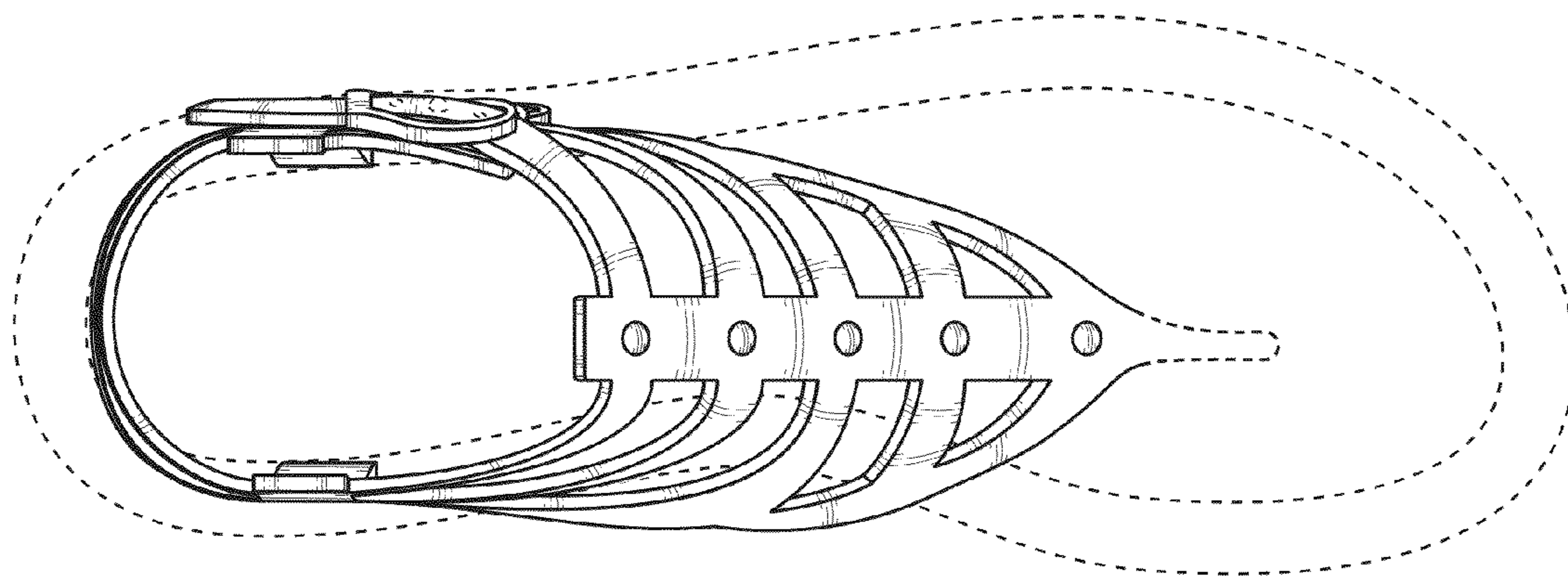


FIG. 6

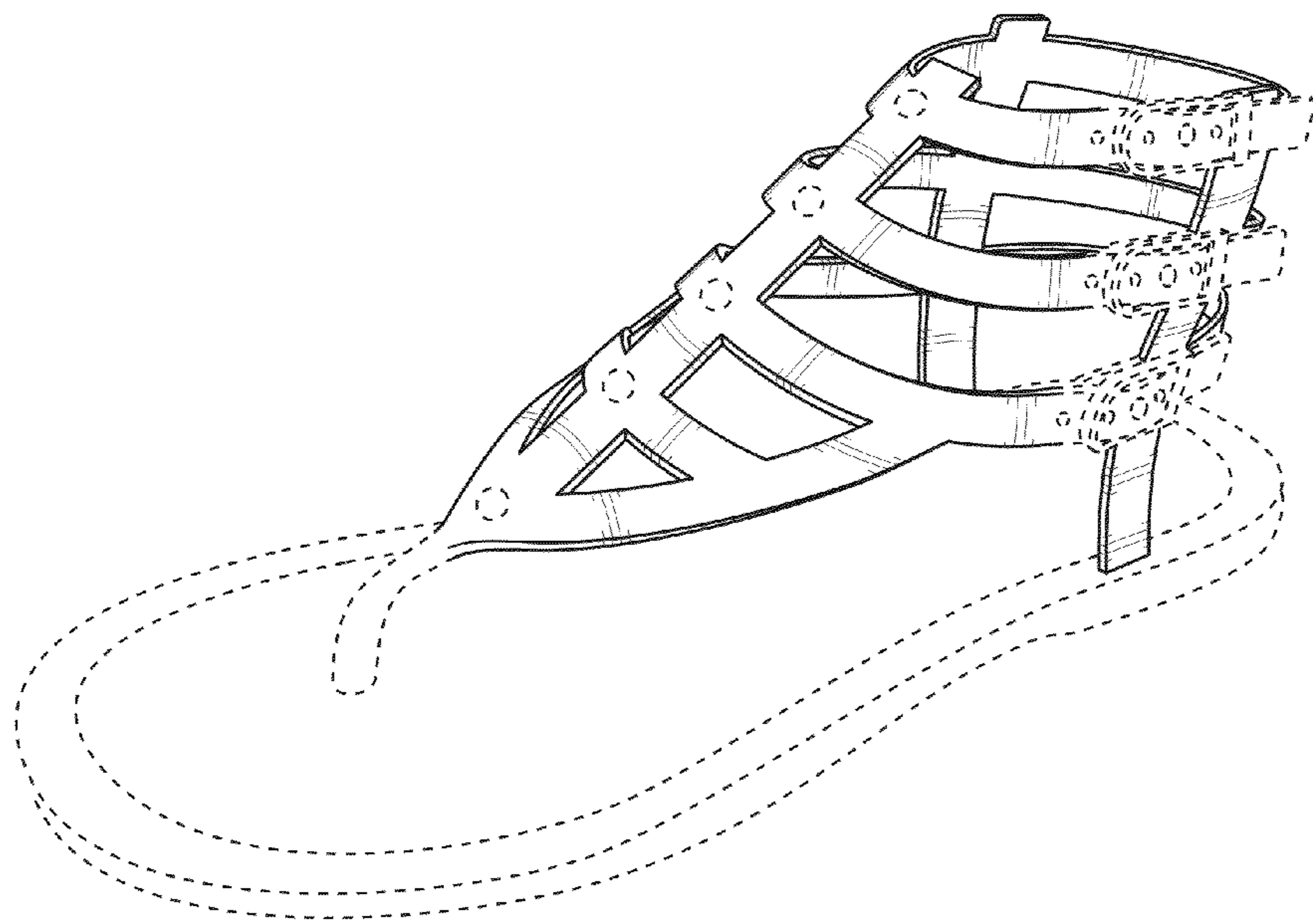


FIG. 7

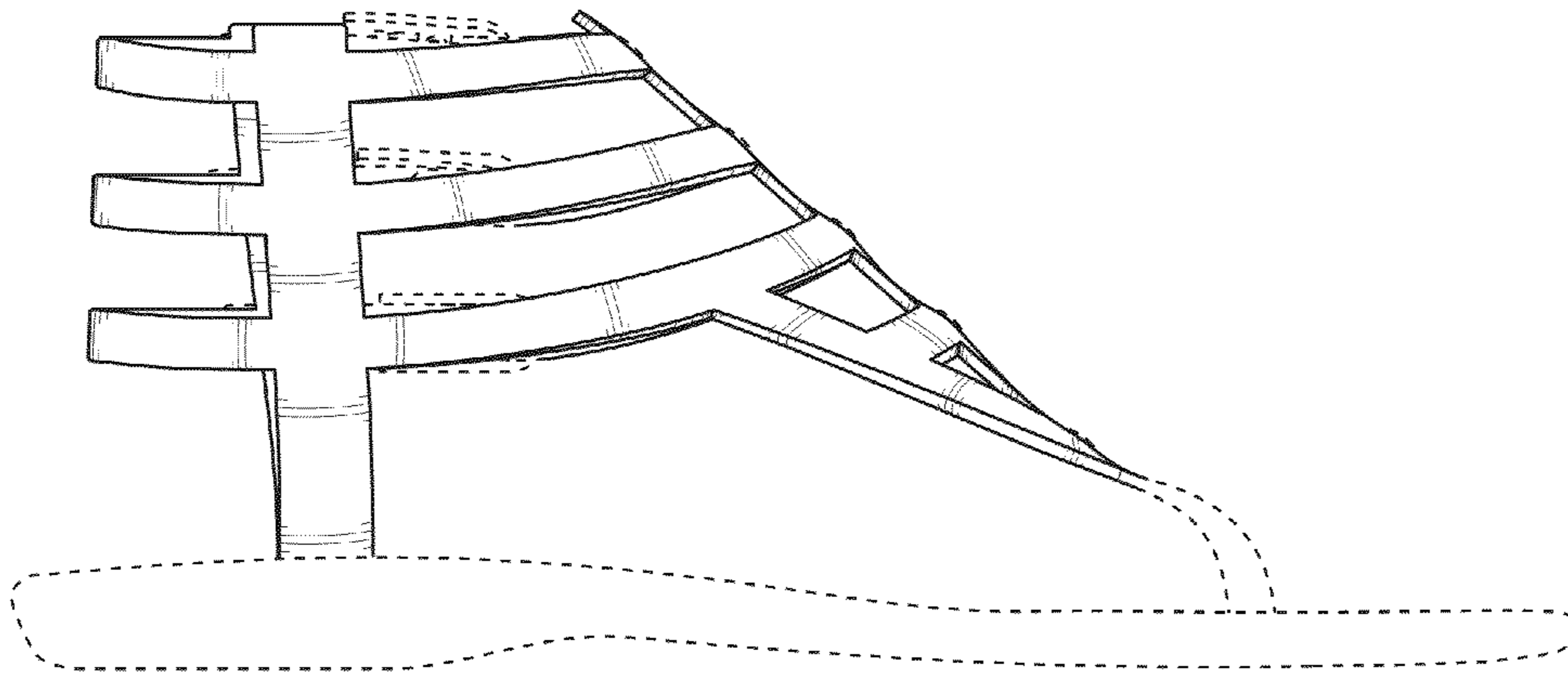


FIG. 8

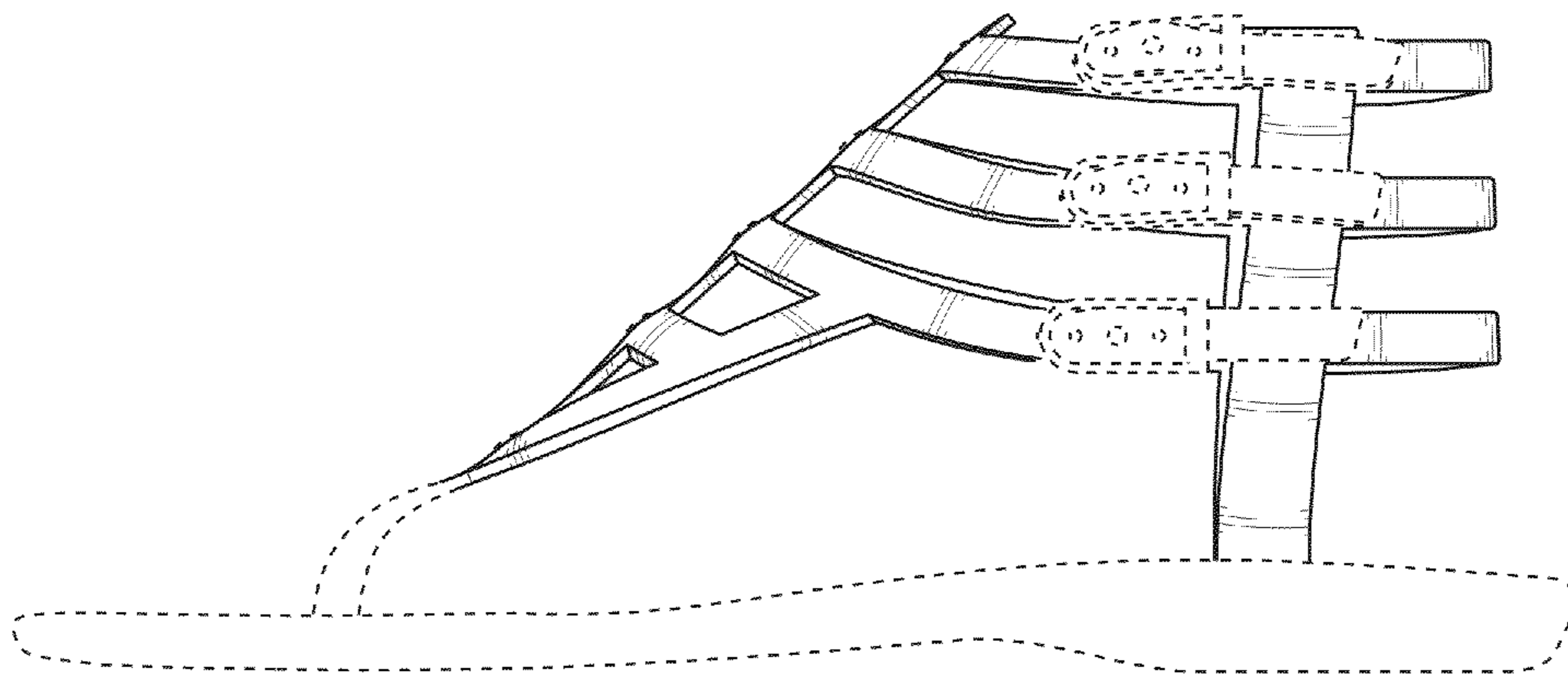


FIG. 9

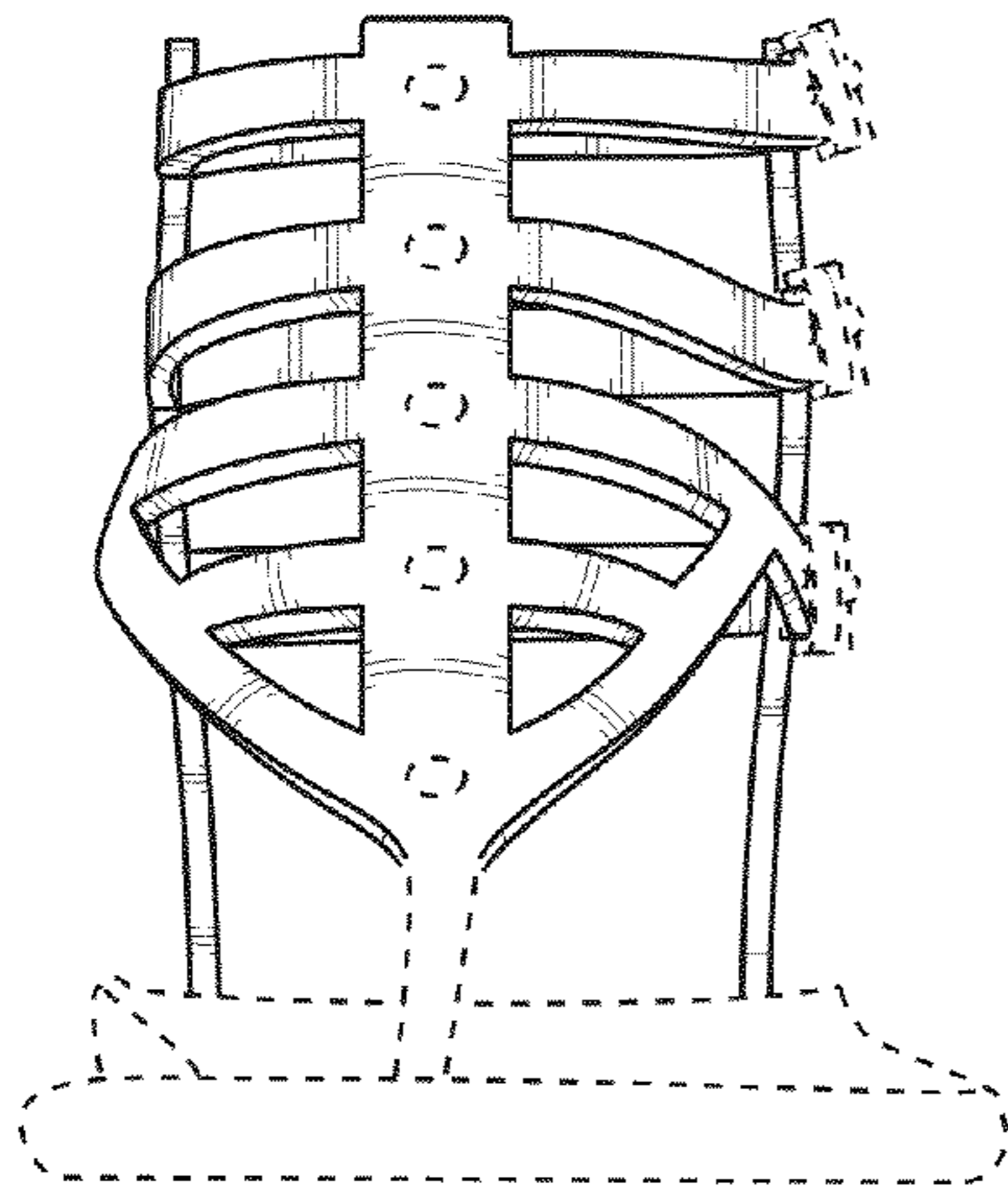


FIG. 10

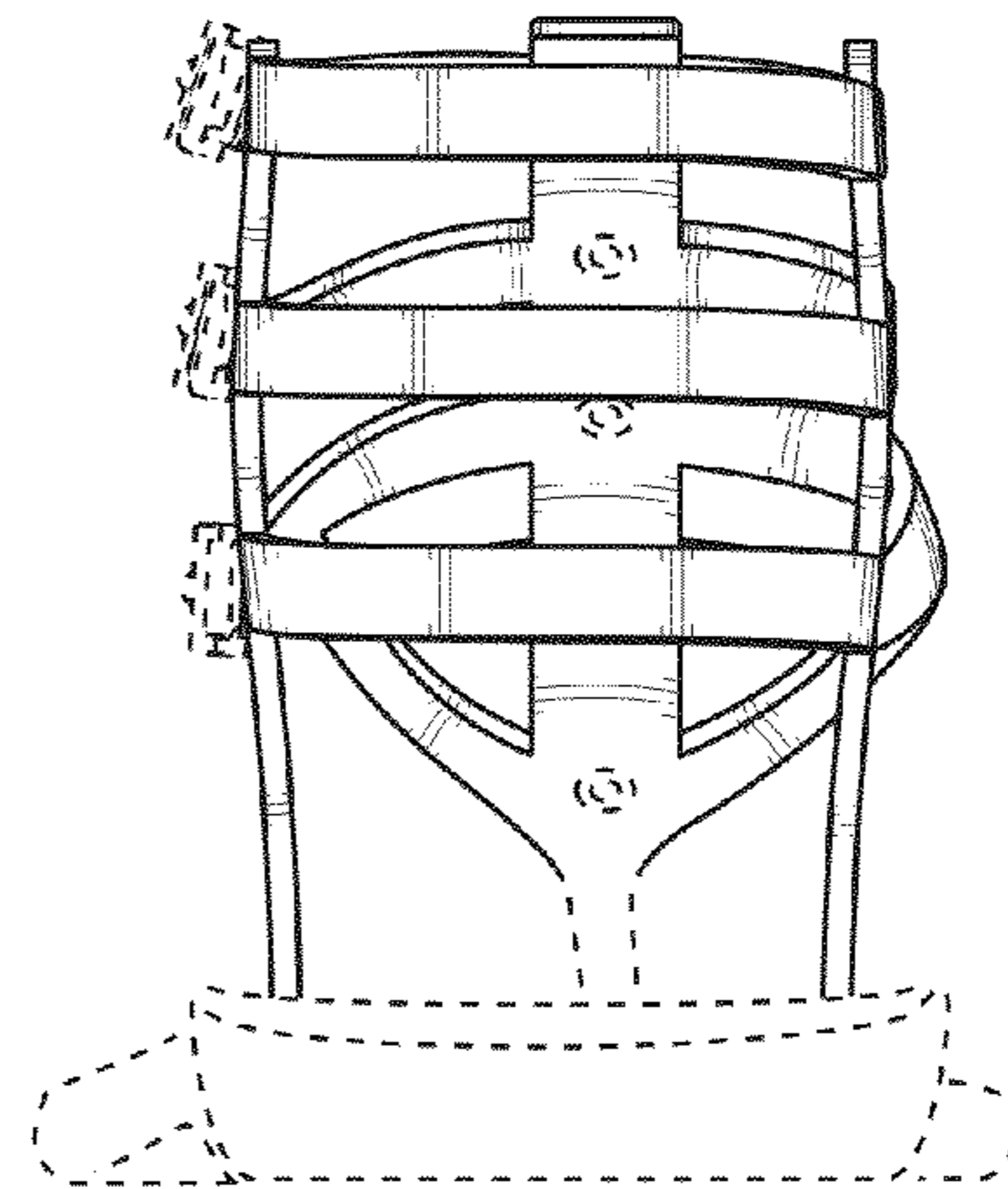


FIG. 11

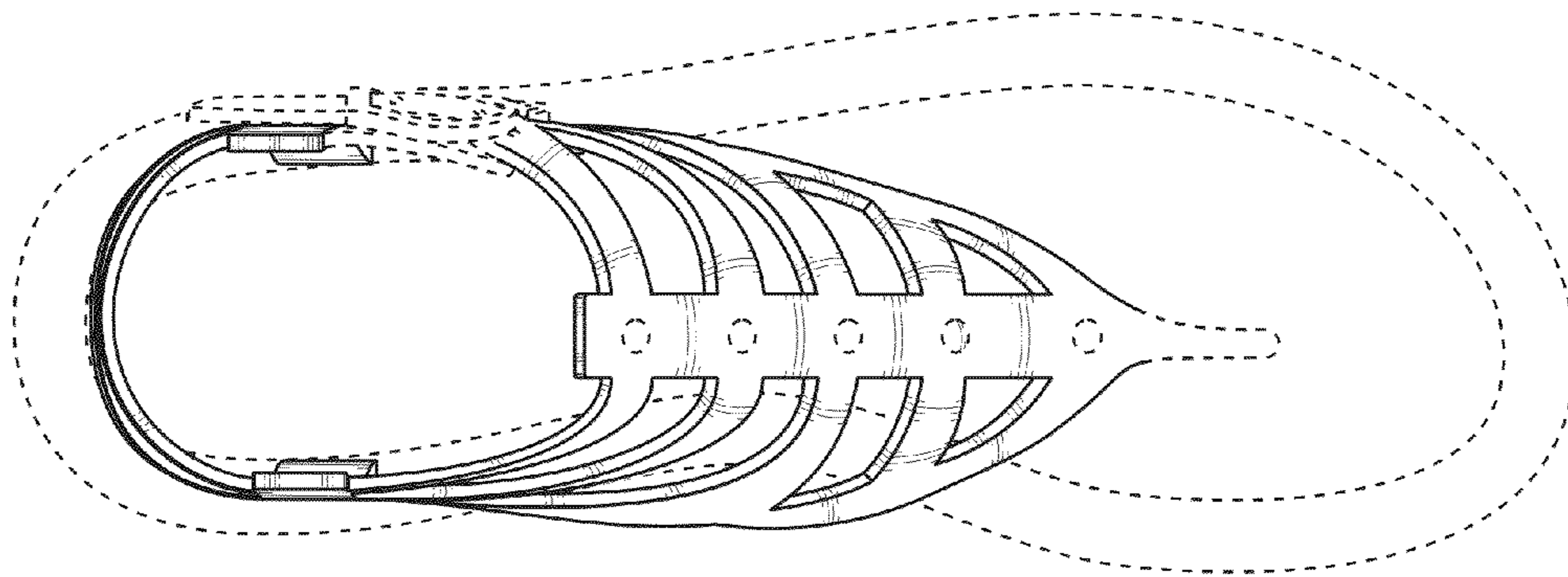


FIG. 12