



US00D690908S

(12) **United States Design Patent**
Barber

(10) **Patent No.:** **US D690,908 S**

(45) **Date of Patent:** **** Oct. 8, 2013**

(54) **POCKET**

(71) Applicant: **Nick Barber**, Manchester (GB)

(72) Inventor: **Nick Barber**, Manchester (GB)

(73) Assignee: **Americana International Limited**,
Manchester (GB)

(**) Term: **14 Years**

(21) Appl. No.: **29/443,469**

(22) Filed: **Jan. 17, 2013**

(30) **Foreign Application Priority Data**

Jul. 18, 2012 (EM) 002075705-0003

(51) **LOC (9) Cl.** **02-02**

(52) **U.S. Cl.**
USPC **D2/857**

(58) **Field of Classification Search**
USPC D2/731, 738, 742, 712, 857; 2/227,
2/228, 238, 404, 247, 250-253
See application file for complete search history.

(56) **References Cited**

U.S. PATENT DOCUMENTS

2,840,824 A * 7/1958 Horner 2/247
D278,378 S * 4/1985 Heinfling D2/857

D528,742 S * 9/2006 Langmantel D2/857
D619,334 S * 7/2010 Barina D2/857
D648,100 S * 11/2011 Rivetti D2/857
D669,250 S * 10/2012 Girbaud et al. D2/857

* cited by examiner

Primary Examiner — Rashida Johnson

(74) *Attorney, Agent, or Firm* — Fross Zelnick Lehrman &
Zissu, P.C.; Lawrence E. Apolzon, Esq.

(57) **CLAIM**

The ornamental design for pocket, as shown and described.

DESCRIPTION

FIG. 1 is a front elevational view of decorative stitching for a pocket showing my design;

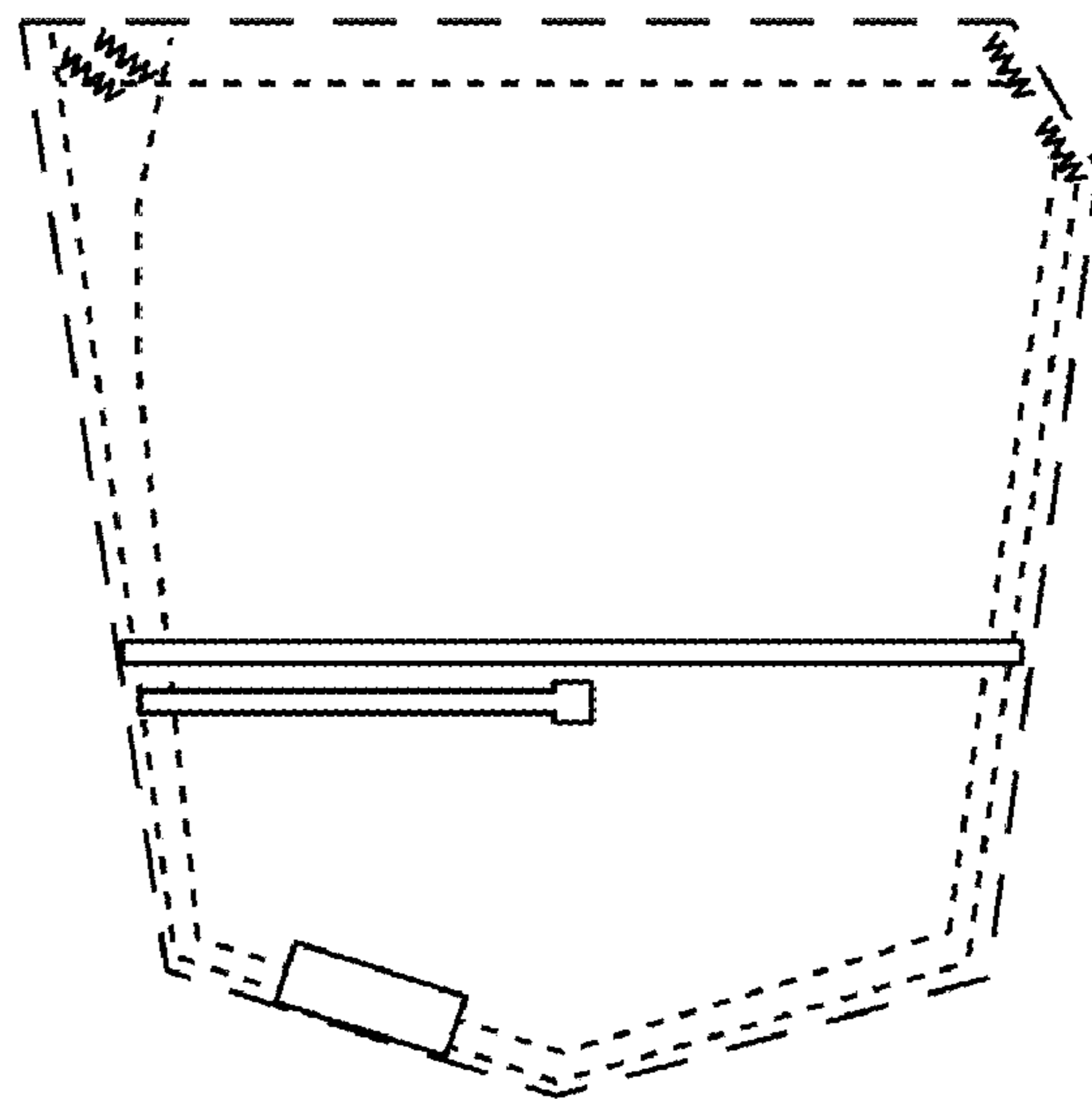
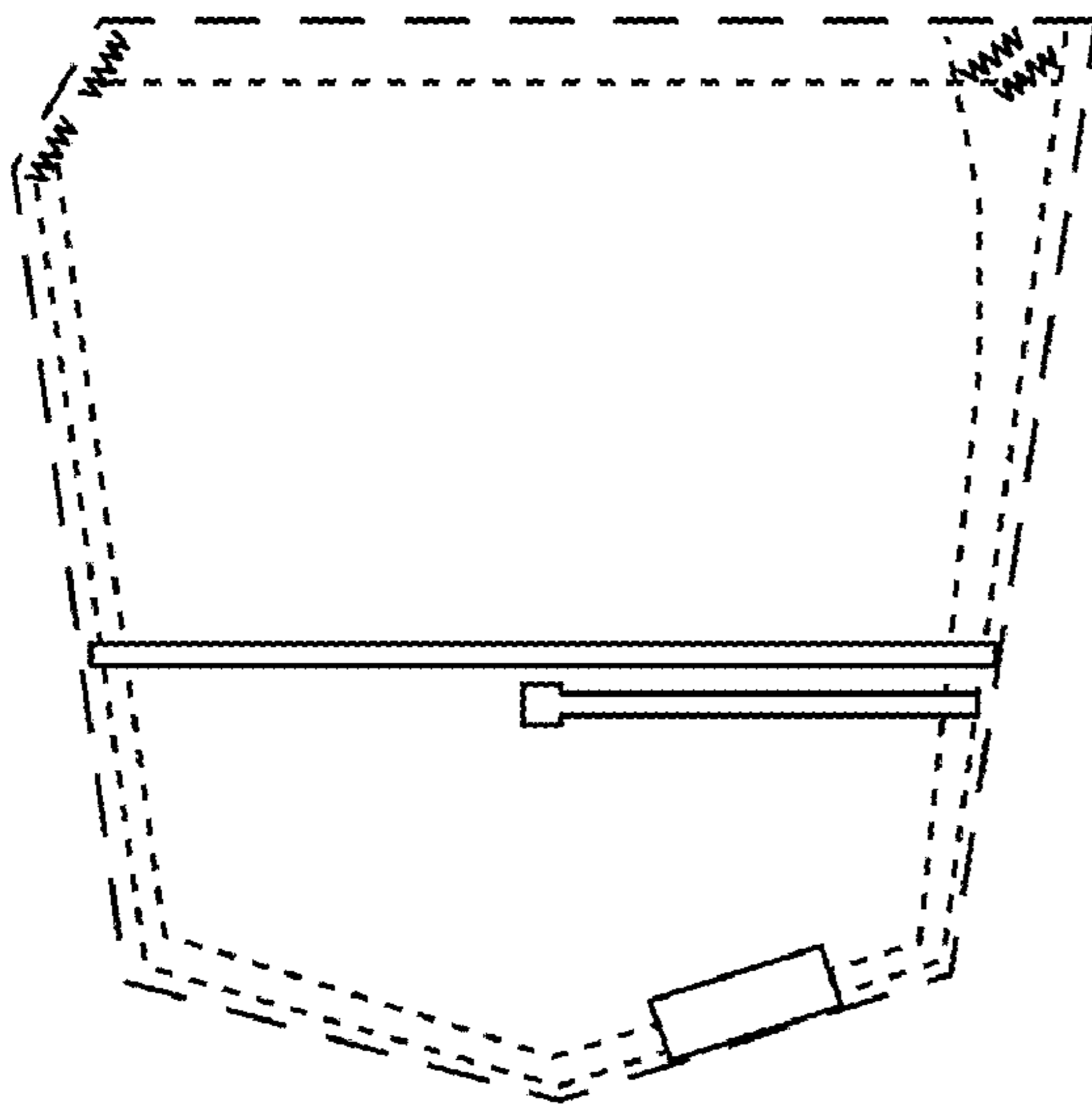
FIG. 2 is a front view thereof, shown in the environment of a pair of pants;

FIG. 3 is a front elevational view of an alternative embodiment of the decorative stitching for a pocket shown in FIG. 1; and,

FIG. 4 is front view of the alternative embodiment shown in FIG. 3, shown in the environment of a pair of pants.

The smaller broken lines shown on the surface of the pocket in FIGS. 1-4 represent stitching and are part of the claimed design. The larger broken lines shown in FIGS. 1-4 represent environmental structure only and form no part of the claimed design.

1 Claim, 4 Drawing Sheets



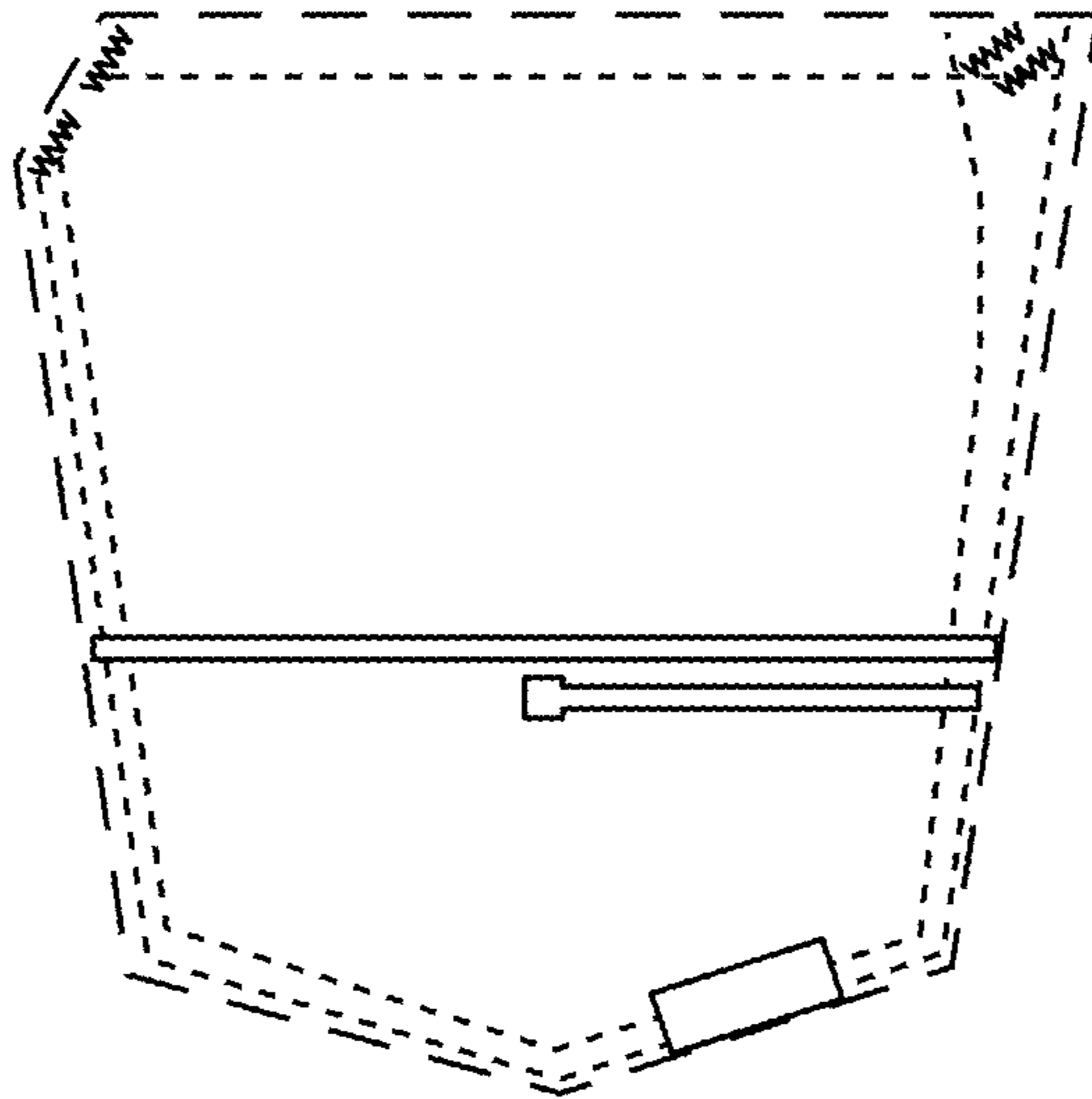
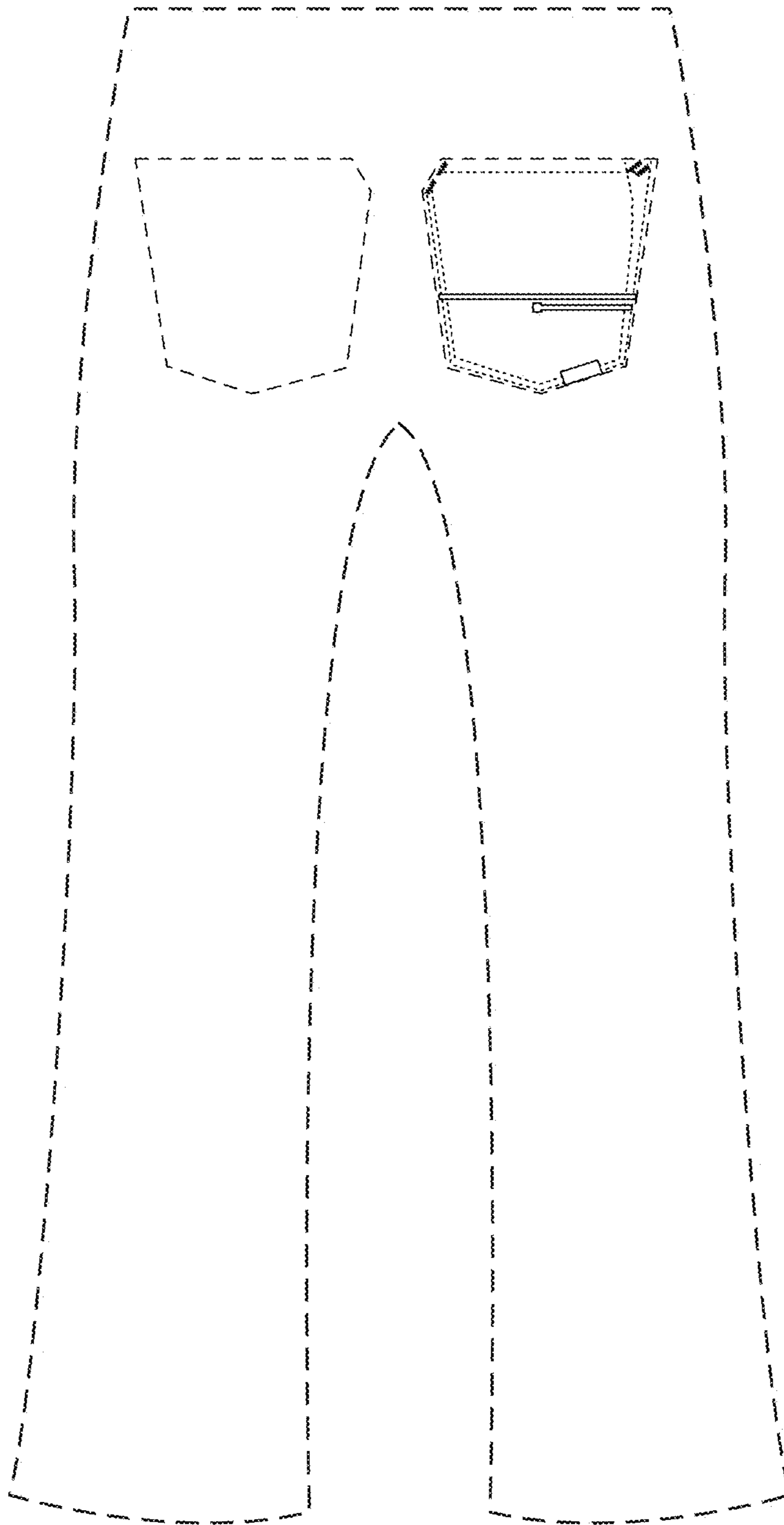


FIG. 1

FIG. 2



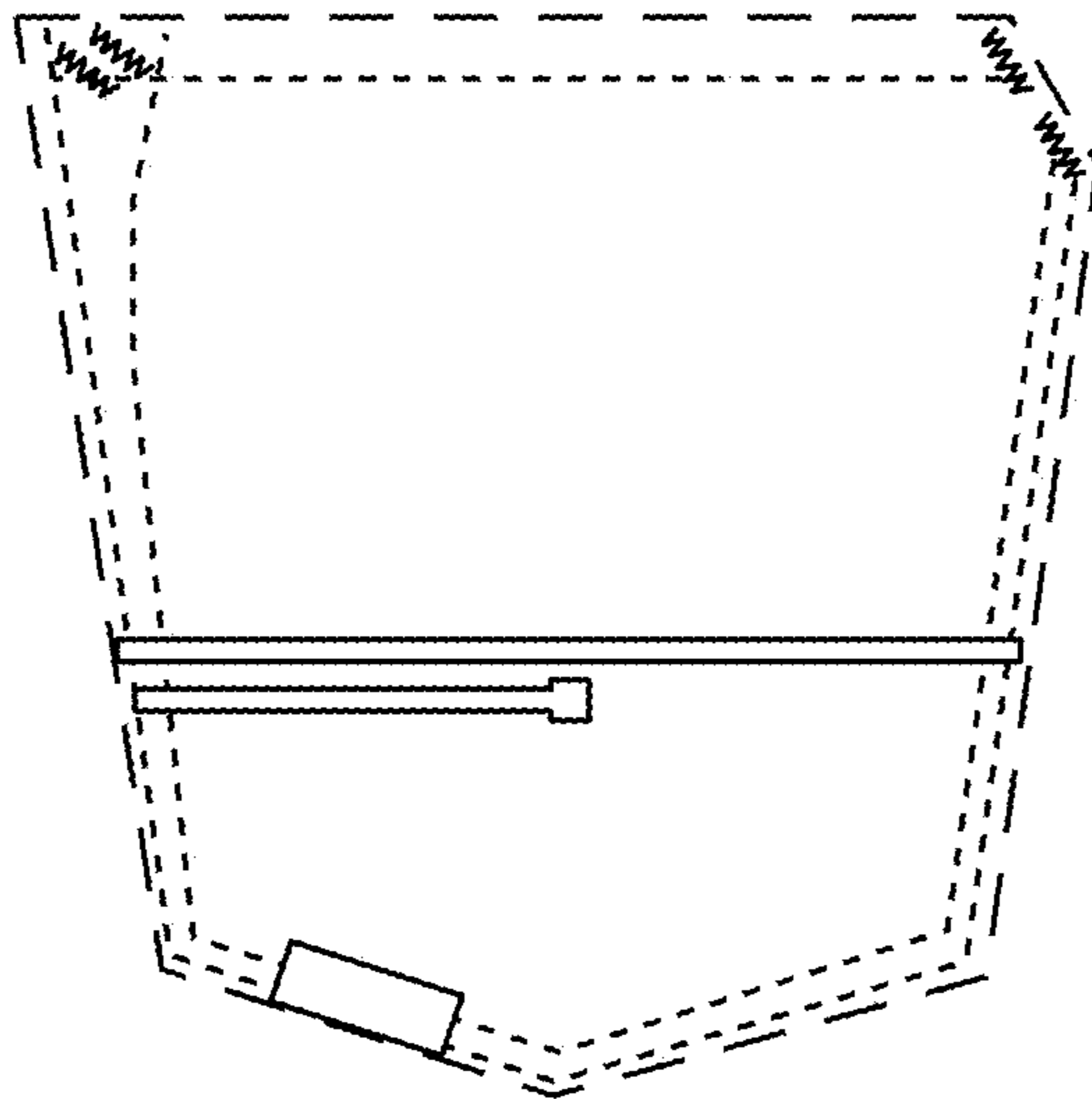


FIG. 3

FIG. 4

