



US00D690895S

(12) **United States Design Patent**  
**Knox, Jr.**

(10) **Patent No.:** **US D690,895 S**  
(45) **Date of Patent:** **\*\* Oct. 1, 2013**

- (54) **COIN STACKER AND PENCIL SHARPENER**
- (71) Applicant: **William Knox, Jr.**, Painesville, OH (US)
- (72) Inventor: **William Knox, Jr.**, Painesville, OH (US)
- (73) Assignee: **Mag-Nif Incorporated**, Mentor, OH (US)
- (\*\*) Term: **14 Years**

- (21) Appl. No.: **29/447,748**
- (22) Filed: **Mar. 6, 2013**
- (51) **LOC (9) Cl.** ..... **99-00**
- (52) **U.S. Cl.**  
USPC ..... **D99/34; D19/73; D19/77**
- (58) **Field of Classification Search**  
USPC ..... D99/28, 34, 35, 36, 37, 43, 99; D19/65, D19/72, 73, 74, 75, 81, 82, 100; D18/3.1, D18/3.2, 12, 12.1, 46, 47; 206/0.8, 0.81, 206/0.815, 0.82, 0.83, 0.84; 109/1 R, 1 V, 109/2, 3, 4, 45; 446/8, 9, 10, 11, 12, 13; 30/451-462; 144/28.1, 28.11, 28.2-28.7, 144/28.72, 28.8, 28.9  
See application file for complete search history.

(56) **References Cited**

**U.S. PATENT DOCUMENTS**

313,592	A *	3/1885	Howe	.....	312/199
D48,631	S *	2/1916	Etheridge	.....	D19/73
D194,241	S *	12/1962	Knedler	.....	D99/34
D265,323	S *	7/1982	Macowski	.....	D19/73
4,339,071	A *	7/1982	Hall	.....	232/5
D288,259	S *	2/1987	Tranchida	.....	D99/37
D292,739	S *	11/1987	Izant	.....	D99/34
D303,863	S *	10/1989	Purifoy	.....	D99/34
D311,027	S *	10/1990	Yuen	.....	D19/73
D320,812	S *	10/1991	Yuen	.....	D19/73
D362,685	S *	9/1995	Perkitny	.....	D19/77
D390,264	S *	2/1998	Singleton et al.	.....	D19/73
D422,313	S *	4/2000	Chen	.....	D19/73
D425,684	S *	5/2000	Henry	.....	D99/34
D445,990	S	7/2001	Knox, Jr. et al.		

D453,407	S *	2/2002	Lim	.....	D99/34
D454,159	S *	3/2002	Tsuchikura	.....	D19/73
D460,102	S	7/2002	Perkitny		
D481,519	S *	10/2003	Lee	.....	D99/34
D490,585	S *	5/2004	Chue	.....	D99/35
D494,624	S *	8/2004	Danon	.....	D19/73
D495,005	S *	8/2004	Stravitz	.....	D19/75
D507,690	S	7/2005	Philipson		
D519,259	S *	4/2006	Lee et al.	.....	D99/34
D545,372	S *	6/2007	Kent et al.	.....	D19/73

(Continued)

**OTHER PUBLICATIONS**

- <http://www.magnif.com/shop/category/coin-sorters-and-banks/>, Coin Sorters & Banks, 4 pages, Feb. 27, 2013.
- <http://www.magnif.com/shop/category/coin-sorters-and-banks/>, Coin Sorters & Banks, Enlarged view of Deluxe Valet motorized coin sorter #6900, 1 page, Feb. 27, 2013.
- <http://www.magnif.com/shop/28-piece-sorting-kit-2/>, 28 Piece Coin Sorting Kit, 2 pages, Feb. 27, 2013.
- <http://www.magnif.com/shop/ez-count-money-jar-digital-coin-counter/>, EZ-Count Money Jar™, 1 page, Feb. 27, 2013.

*Primary Examiner* — Elizabeth J Oswecki

(74) *Attorney, Agent, or Firm* — Fay Sharpe LLP

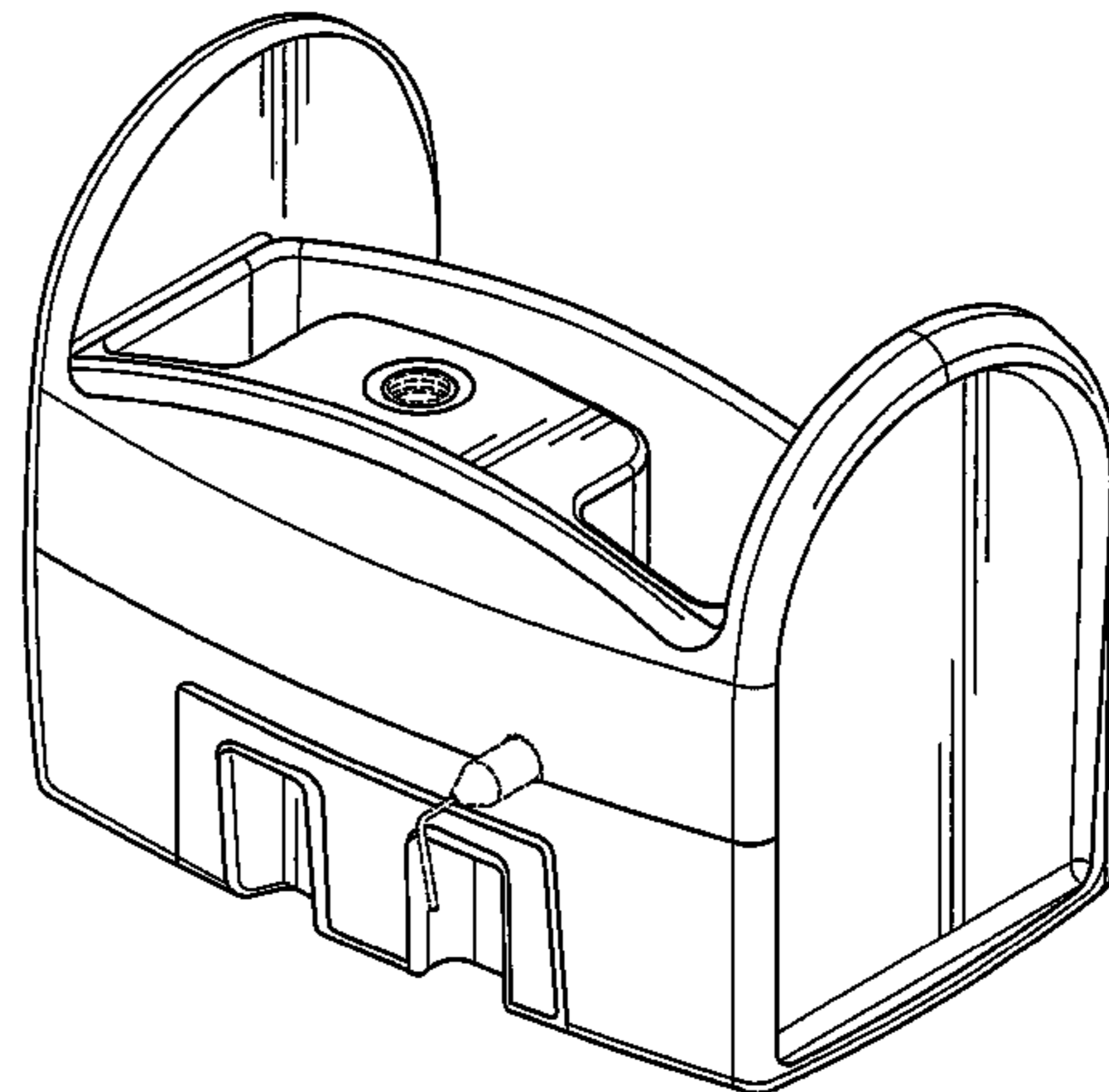
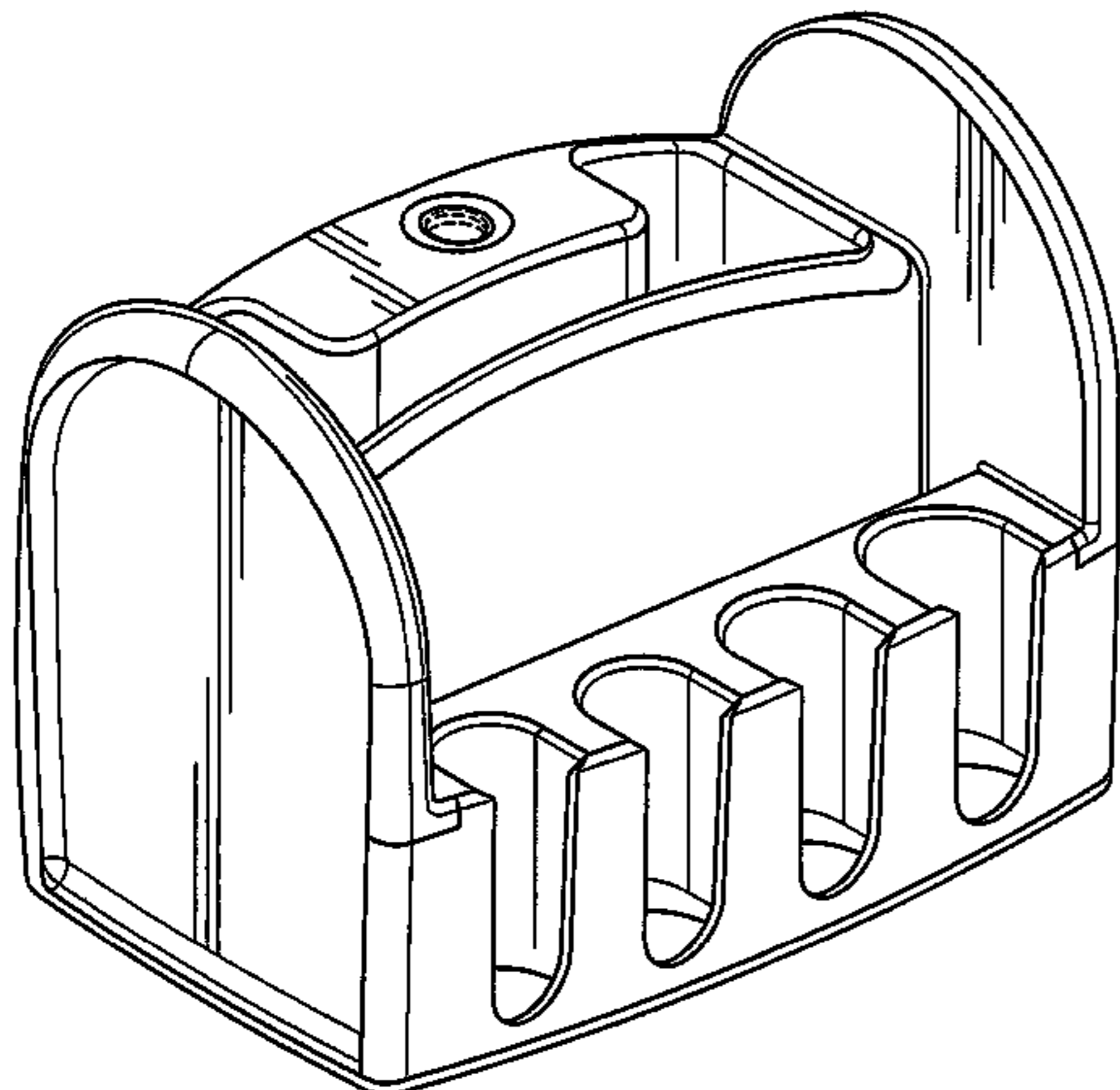
(57) **CLAIM**

The ornamental design for a coin stacker and pencil sharpener, as shown and described.

**DESCRIPTION**

FIG. 1 is a top left front perspective view of a coin stacker and pencil sharpener showing my new design; FIG. 2 is a front elevational view thereof; FIG. 3 is a right side elevational view thereof; FIG. 4 is a left side elevational view thereof; FIG. 5 is a rear elevational view thereof; FIG. 6 is a top plan view thereof; FIG. 7 is a bottom plan view thereof; and, FIG. 8 is a top left rear perspective view thereof. The components illustrated in broken lines in FIGS. 1 and 3-8 form no part of the claimed design.

**1 Claim, 4 Drawing Sheets**



(56)

**References Cited**

U.S. PATENT DOCUMENTS

D560,721 S \* 1/2008 Joachim et al. .... D19/73  
D597,602 S \* 8/2009 Racamier et al. .... D19/73

D648,095 S \* 11/2011 Fernandez et al. .... D99/34  
D670,337 S \* 11/2012 Dunlap et al. .... D19/73  
D670,338 S \* 11/2012 Dunlap et al. .... D19/73

\* cited by examiner

FIG. 1

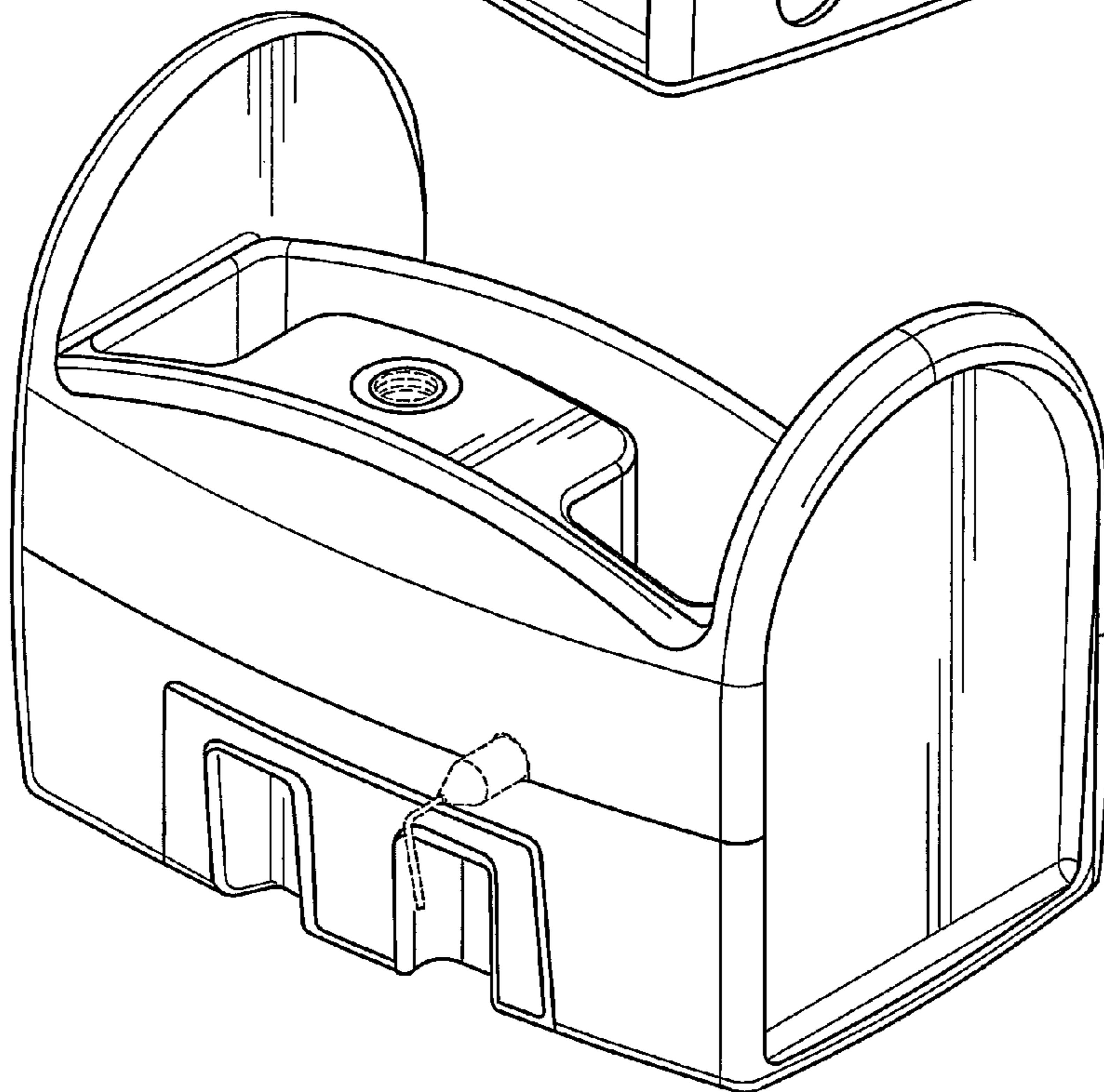
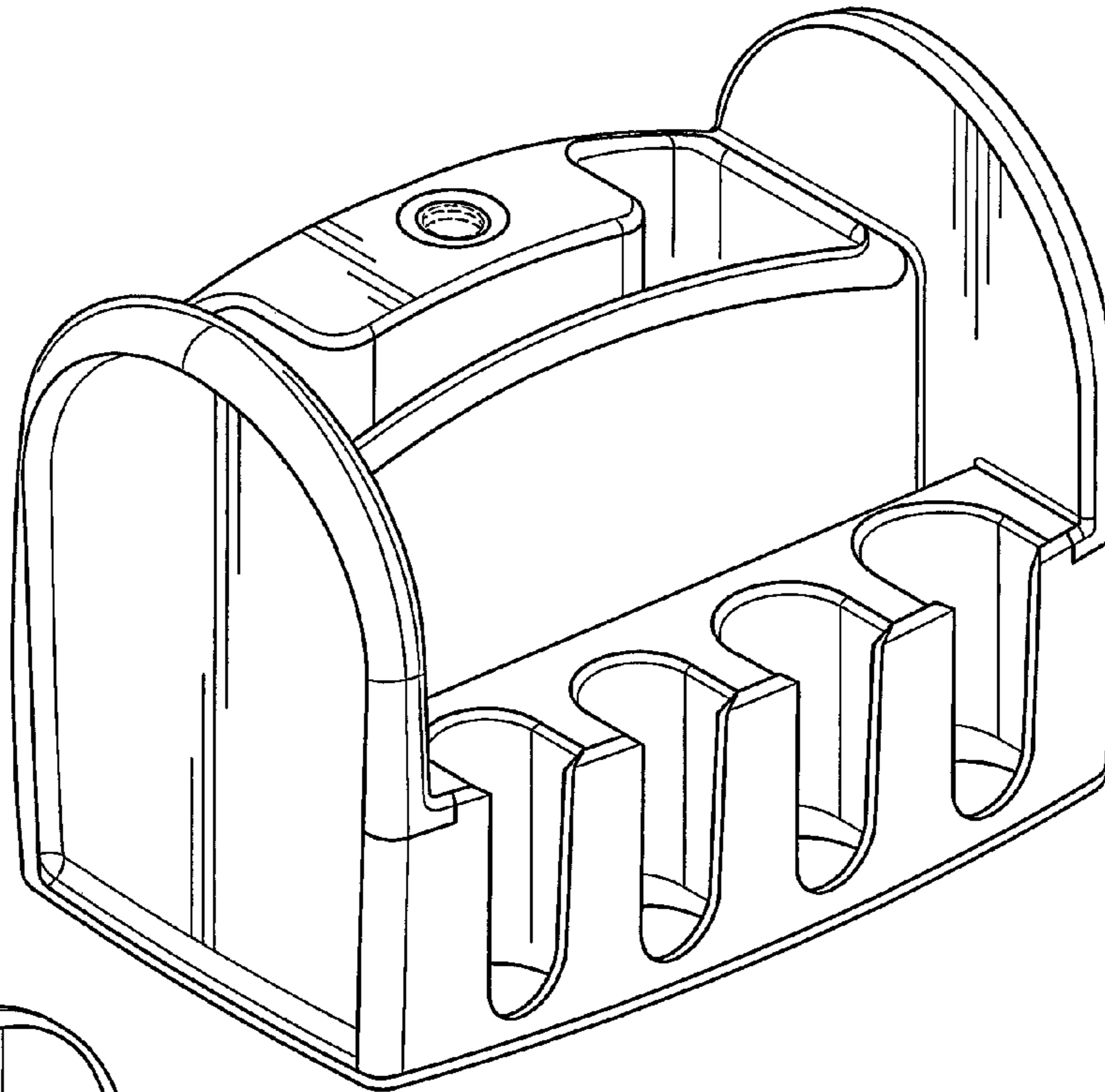


FIG. 8

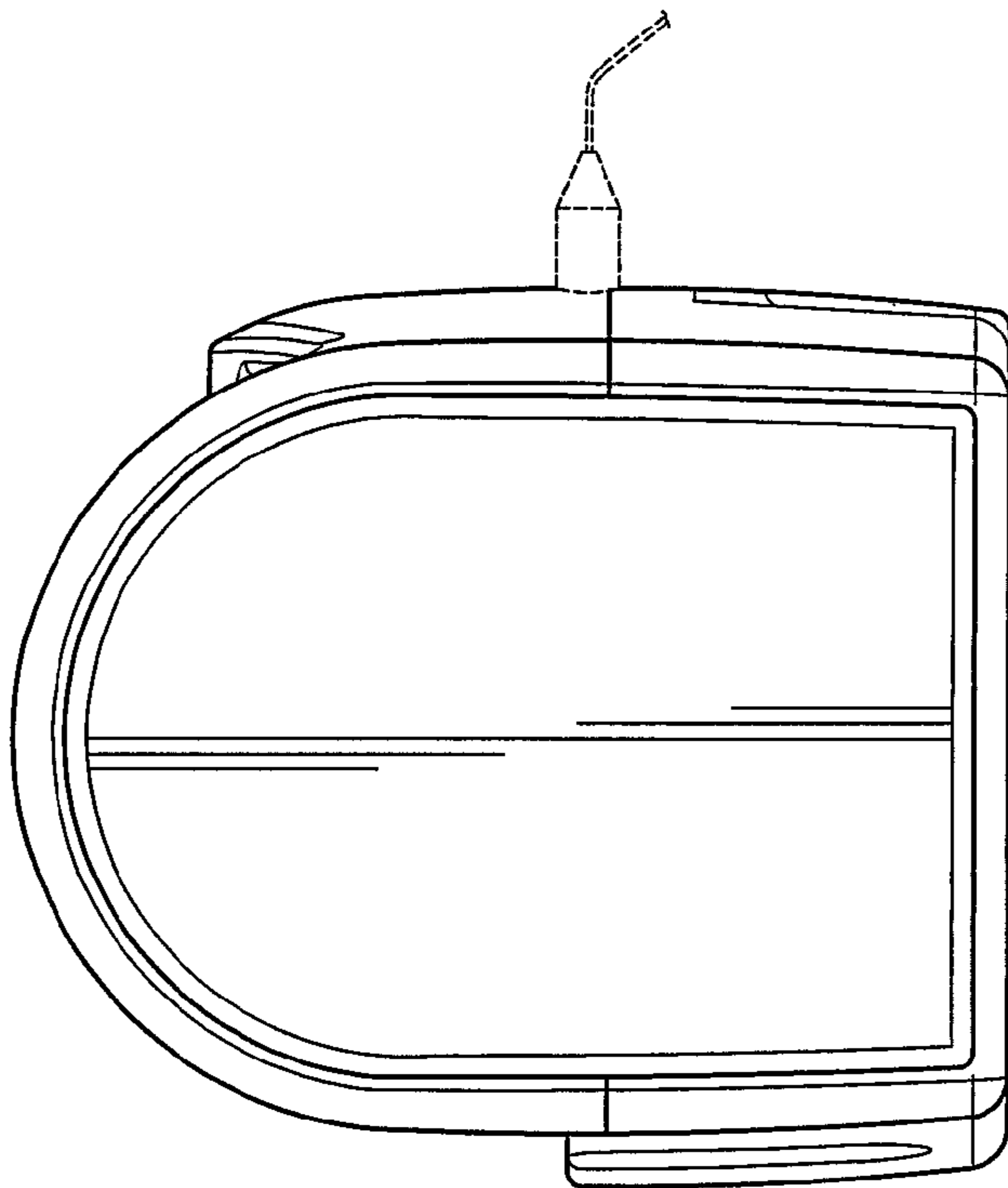


FIG. 3

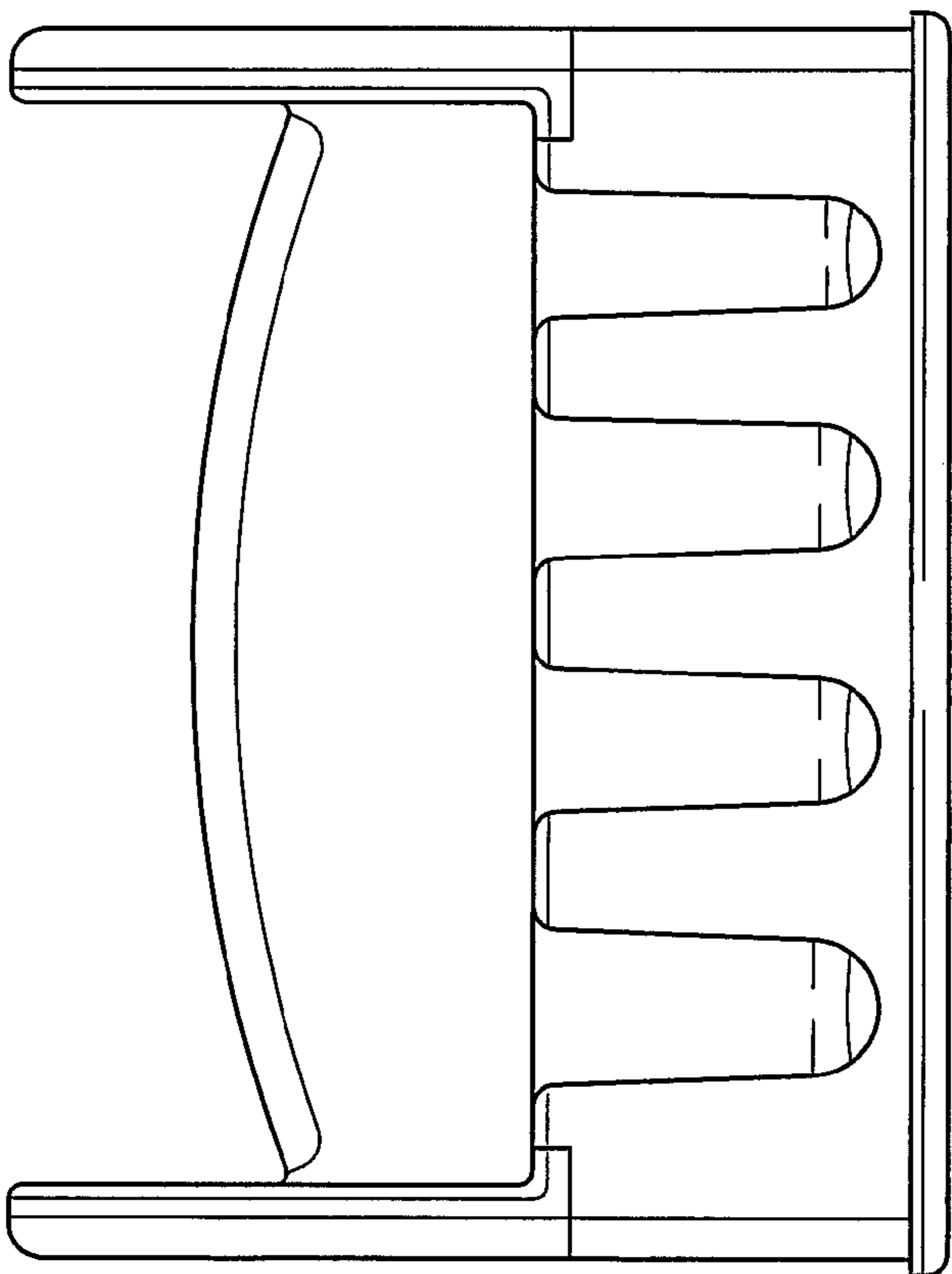


FIG. 2

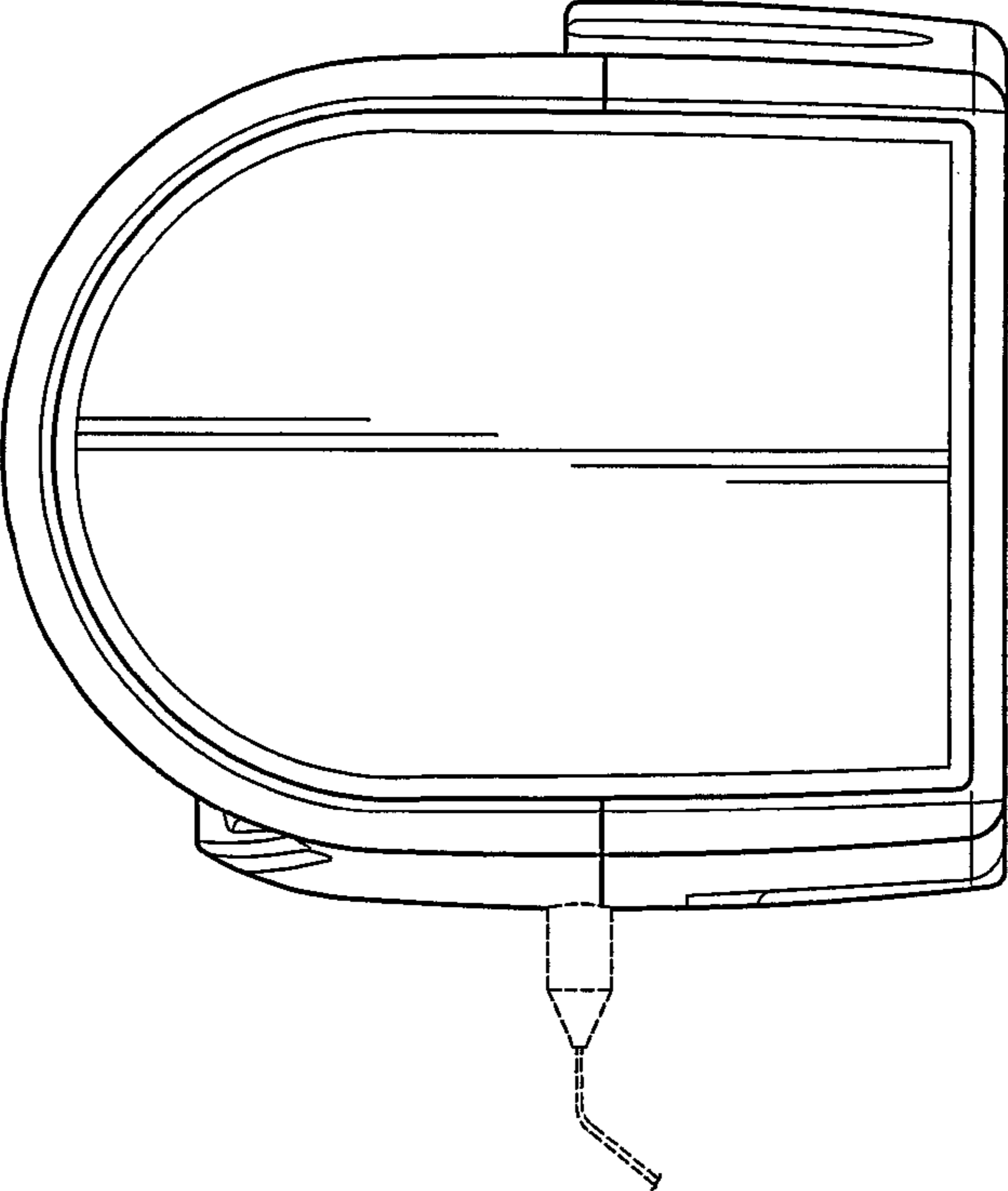


FIG. 4

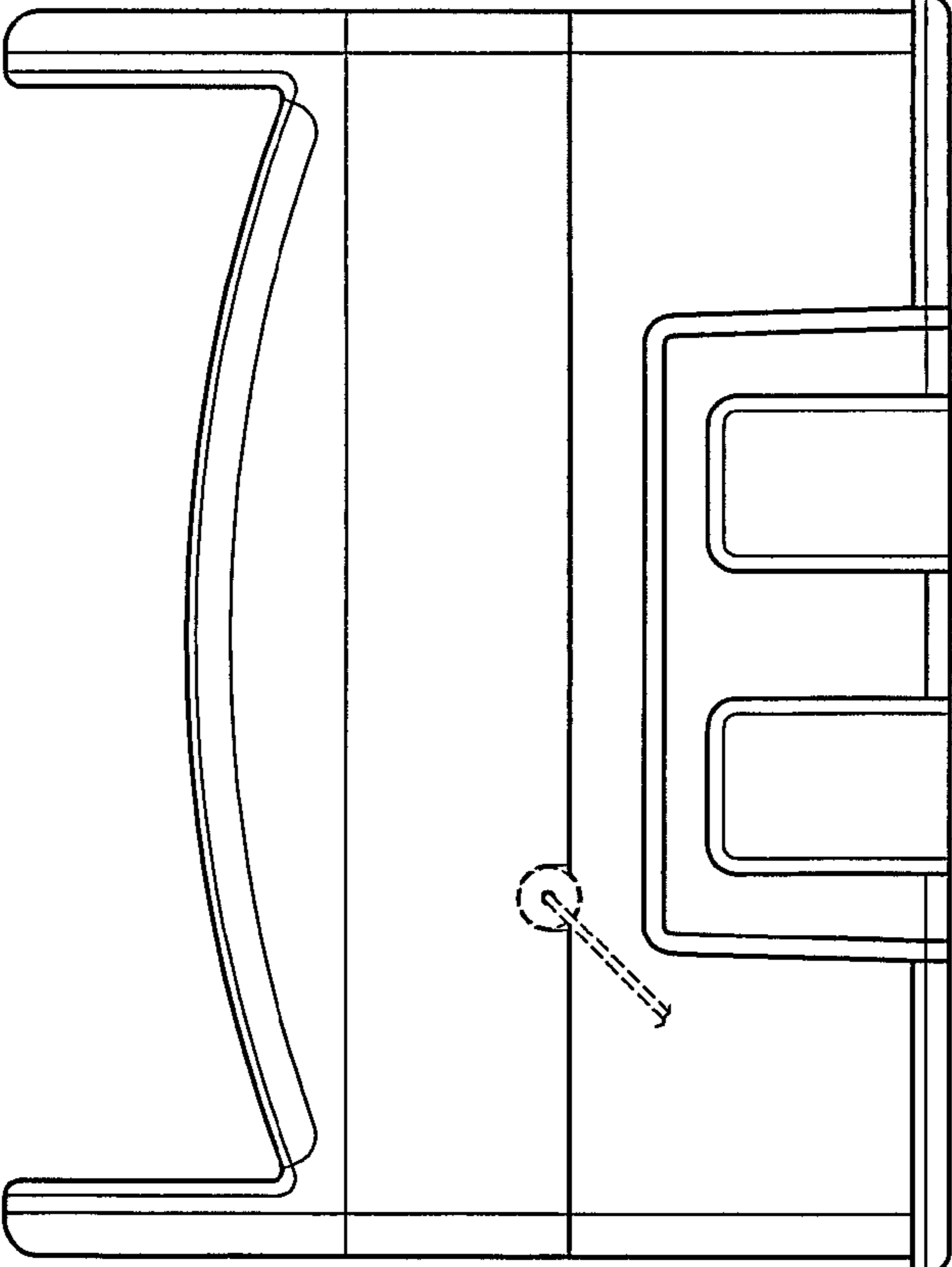


FIG. 5

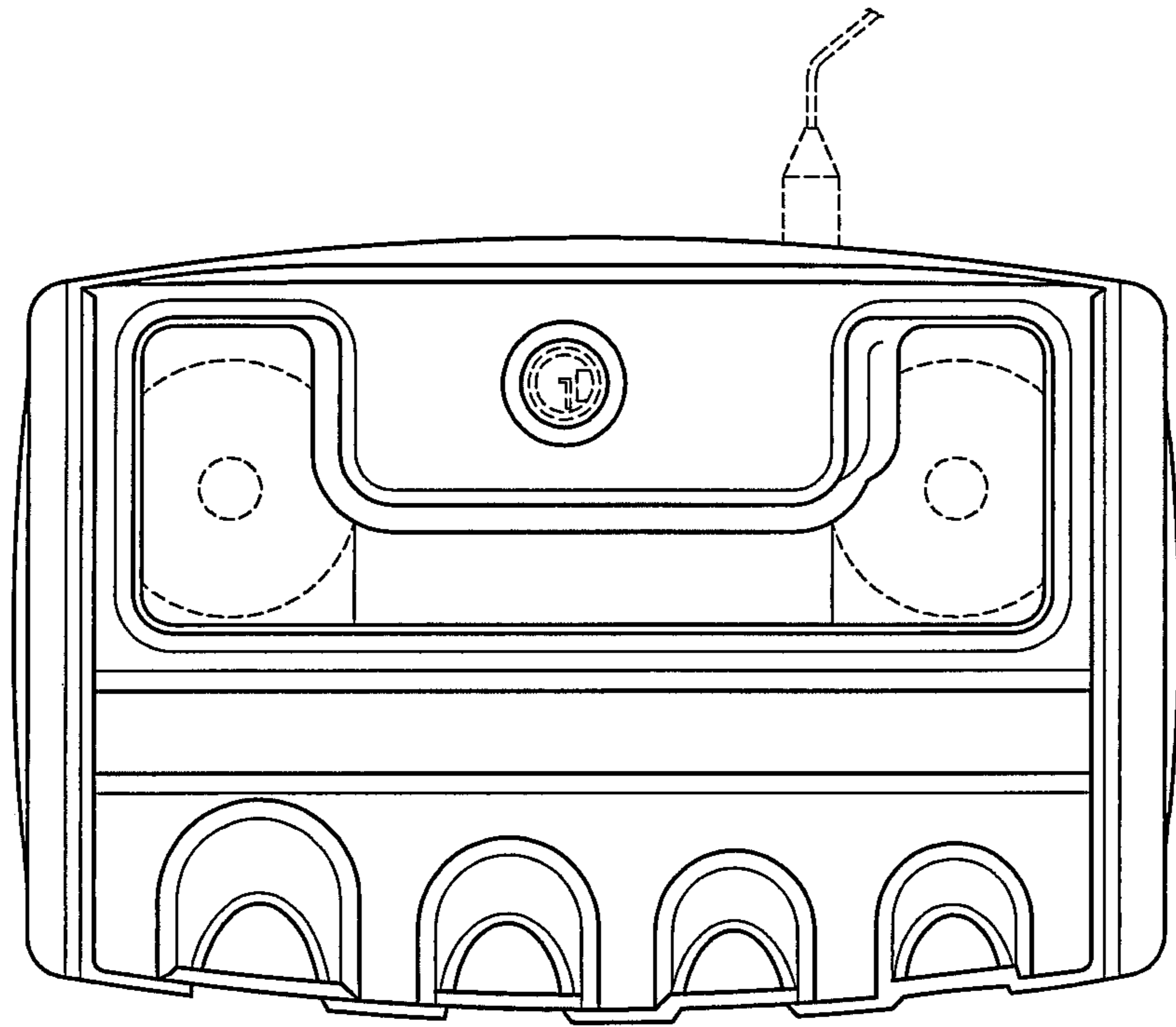


FIG. 6

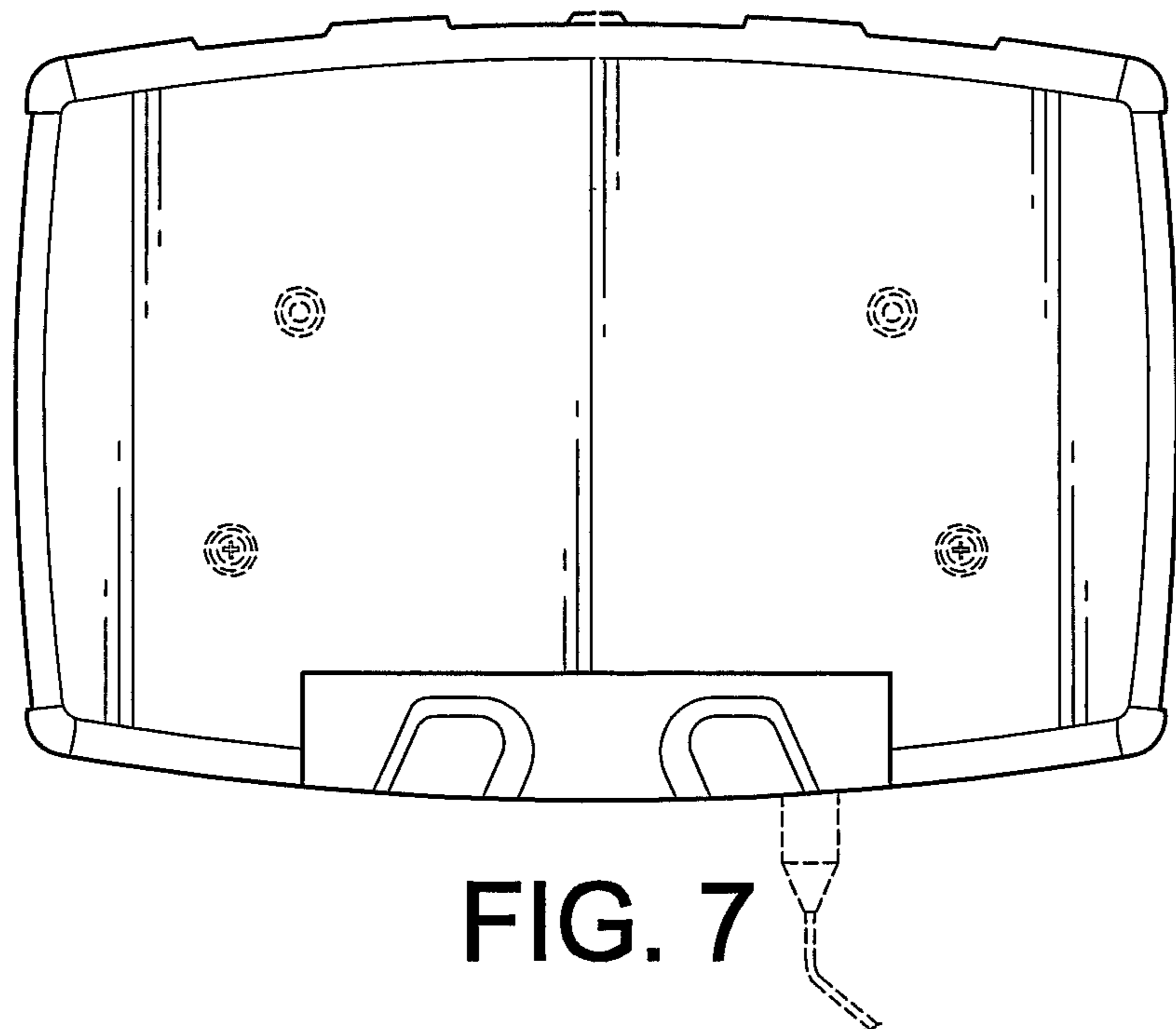


FIG. 7