



US00D690890S

(12) **United States Design Patent**
Matthews

(10) **Patent No.:** **US D690,890 S**
(45) **Date of Patent:** **** Oct. 1, 2013**

(54) **KNIFE CLEANER**

(71) Applicant: **John S. Matthews**, Omaha, NE (US)

(72) Inventor: **John S. Matthews**, Omaha, NE (US)

(**) Term: **14 Years**

(21) Appl. No.: **29/433,531**

(22) Filed: **Oct. 1, 2012**

(51) **LOC (9) Cl.** **08-99**

(52) **U.S. Cl.**
USPC **D32/35**

(58) **Field of Classification Search**
USPC D32/35, 40, 42, 46; D8/90, 91, 93;
D7/698, 673; 15/104.001, 104.92, 105, 160,
15/218.1, 236.09; 83/101, 118; 451/103,
451/112, 467, 486

See application file for complete search history.

(56) **References Cited**

U.S. PATENT DOCUMENTS

73,673	A *	1/1868	Thompson	15/218.1
487,446	A *	12/1892	Murphy	15/218.1
496,213	A *	4/1893	Storey	15/218.1
555,629	A *	3/1896	Wheeler	15/218.1
958,843	A *	5/1910	Uhlyarik	15/218.1

959,803	A *	5/1910	Philipp et al.	15/218.1
1,096,354	A *	5/1914	Coyle	15/218.1
1,349,123	A *	8/1920	Erikson	15/218.1
2,237,761	A *	4/1941	Leano	15/160
2,719,313	A *	10/1955	Smith	15/118
3,094,730	A *	6/1963	Schwarz	15/218.1
D348,591	S *	7/1994	Willis	D7/698
5,704,088	A *	1/1998	Cerroni	15/160
D622,468	S	8/2010	Parker		

* cited by examiner

Primary Examiner — Caron D Veynar

Assistant Examiner — Martie K Holtje

(74) *Attorney, Agent, or Firm* — Dennis L. Thomte; Thomte Patent Law Office LLC

(57) **CLAIM**

The ornamental design for a knife cleaner, as shown and described.

DESCRIPTION

FIG. 1 is a front perspective view of the knife cleaner of this invention;

FIG. 2 is a top view of the knife cleaner of FIG. 1;

FIG. 3 is a front view of the knife cleaner of FIG. 1;

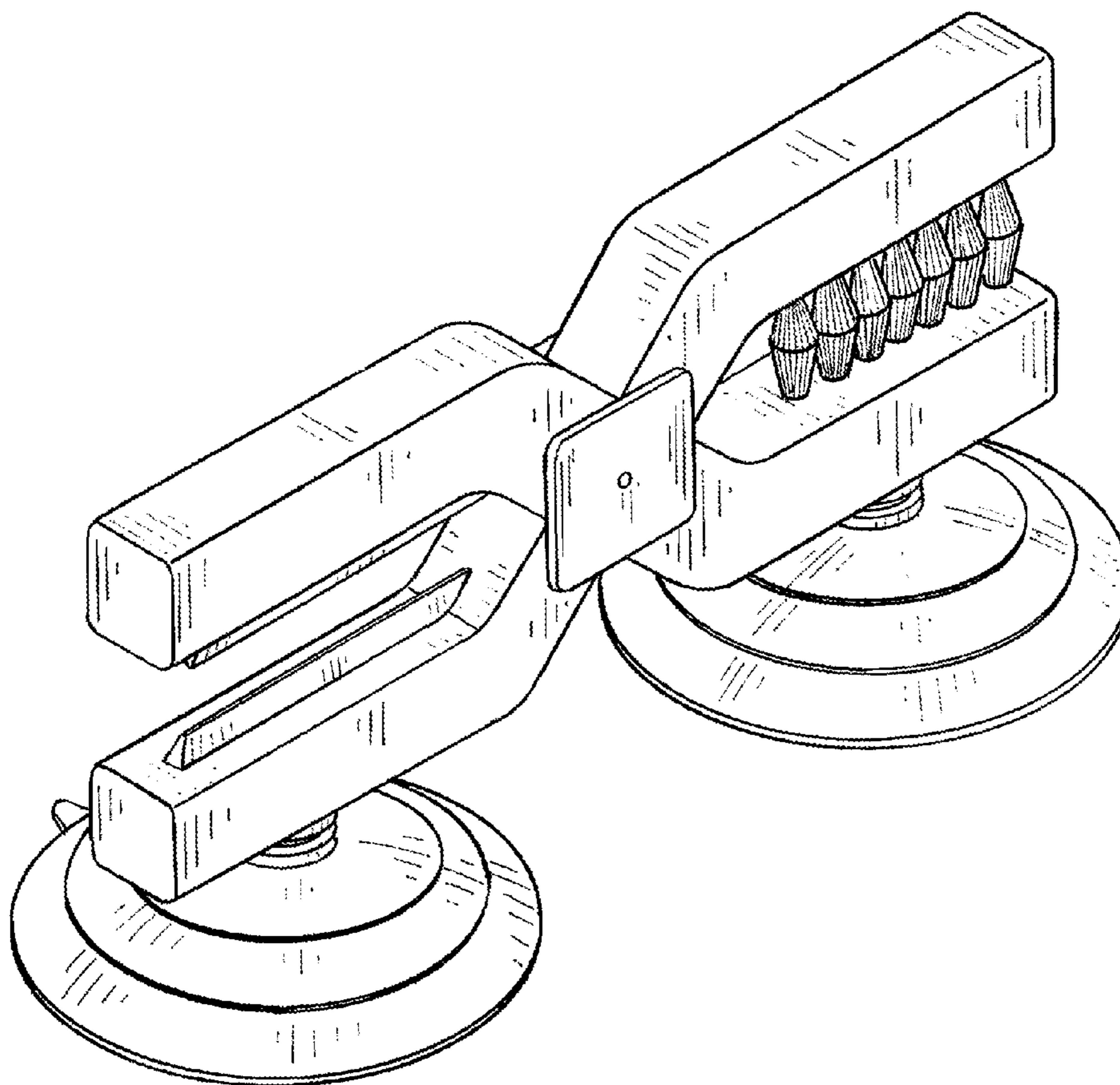
FIG. 4 is a right side view of the knife cleaner of FIG. 1;

FIG. 5 is a left side view of the knife cleaner of FIG. 1;

FIG. 6 is a rear view of the knife cleaner of FIG. 1; and,

FIG. 7 is a bottom view of the knife cleaner of FIG. 1.

1 Claim, 3 Drawing Sheets



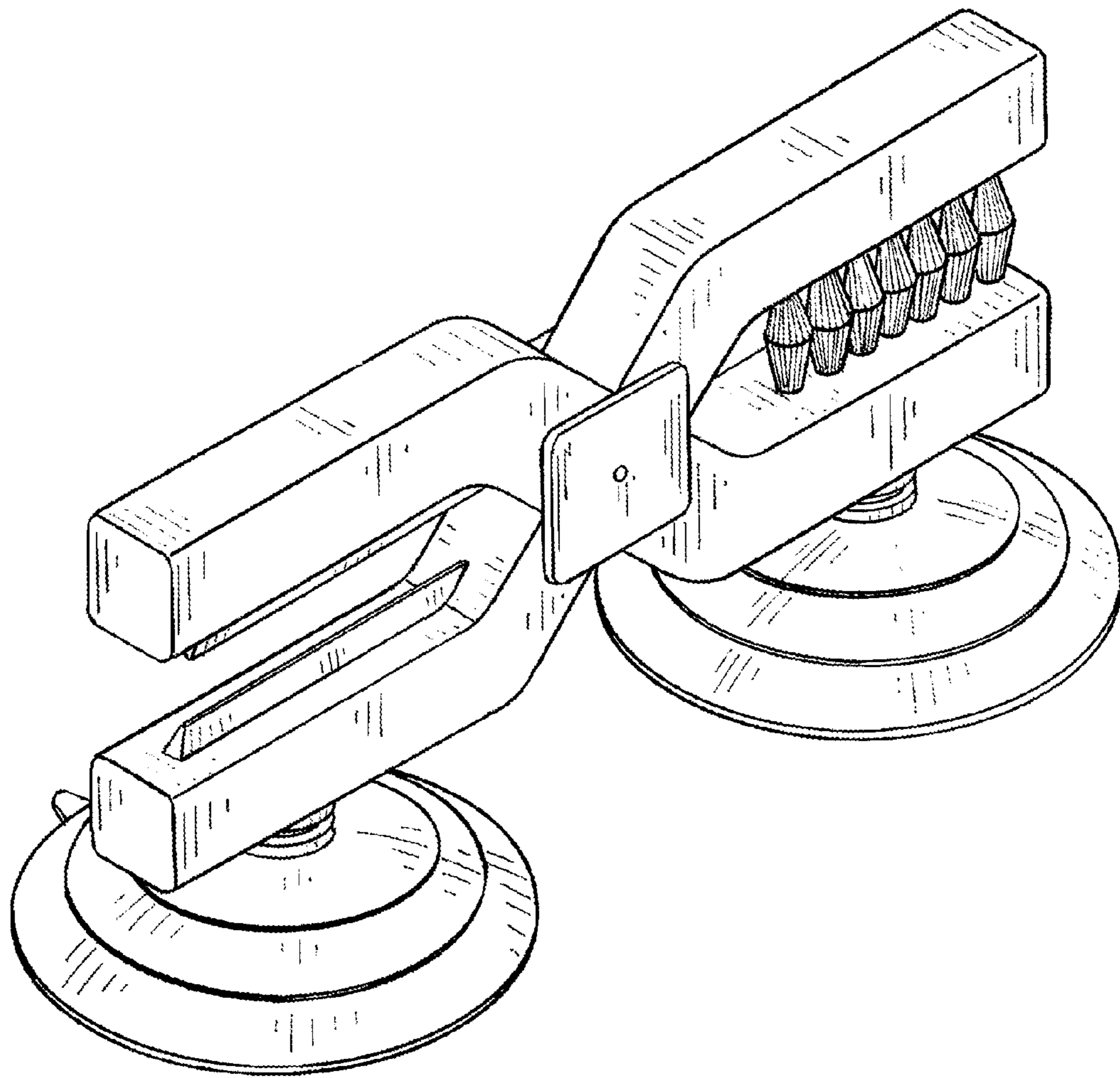


FIG. 1

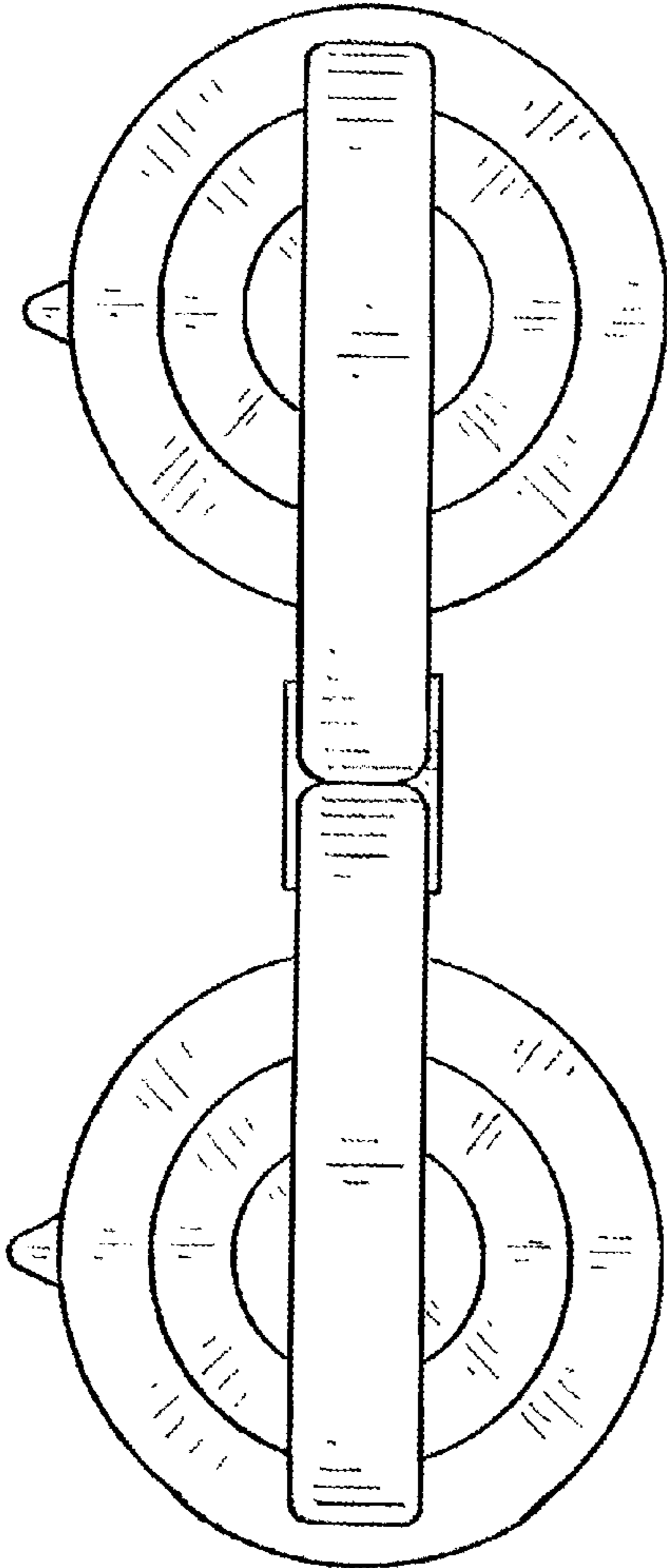


FIG. 2

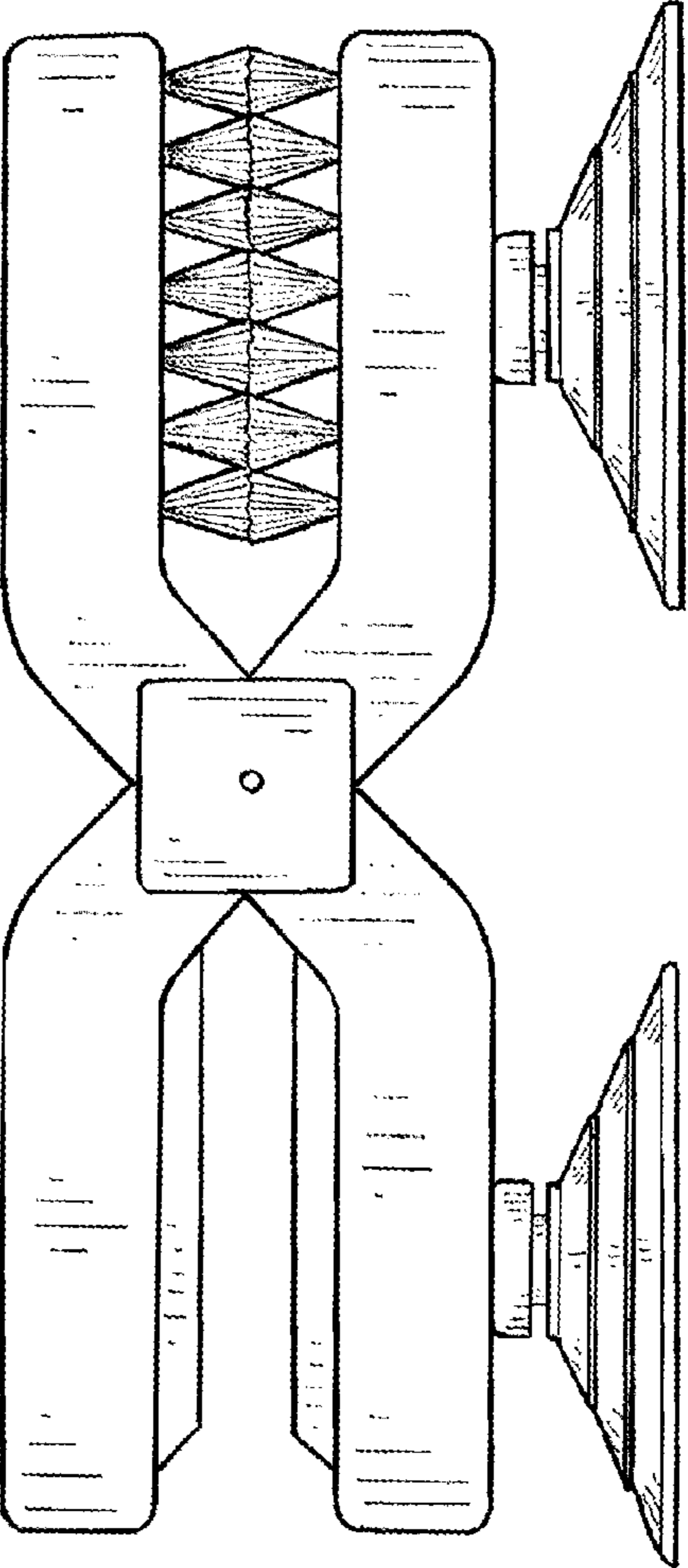


FIG. 3

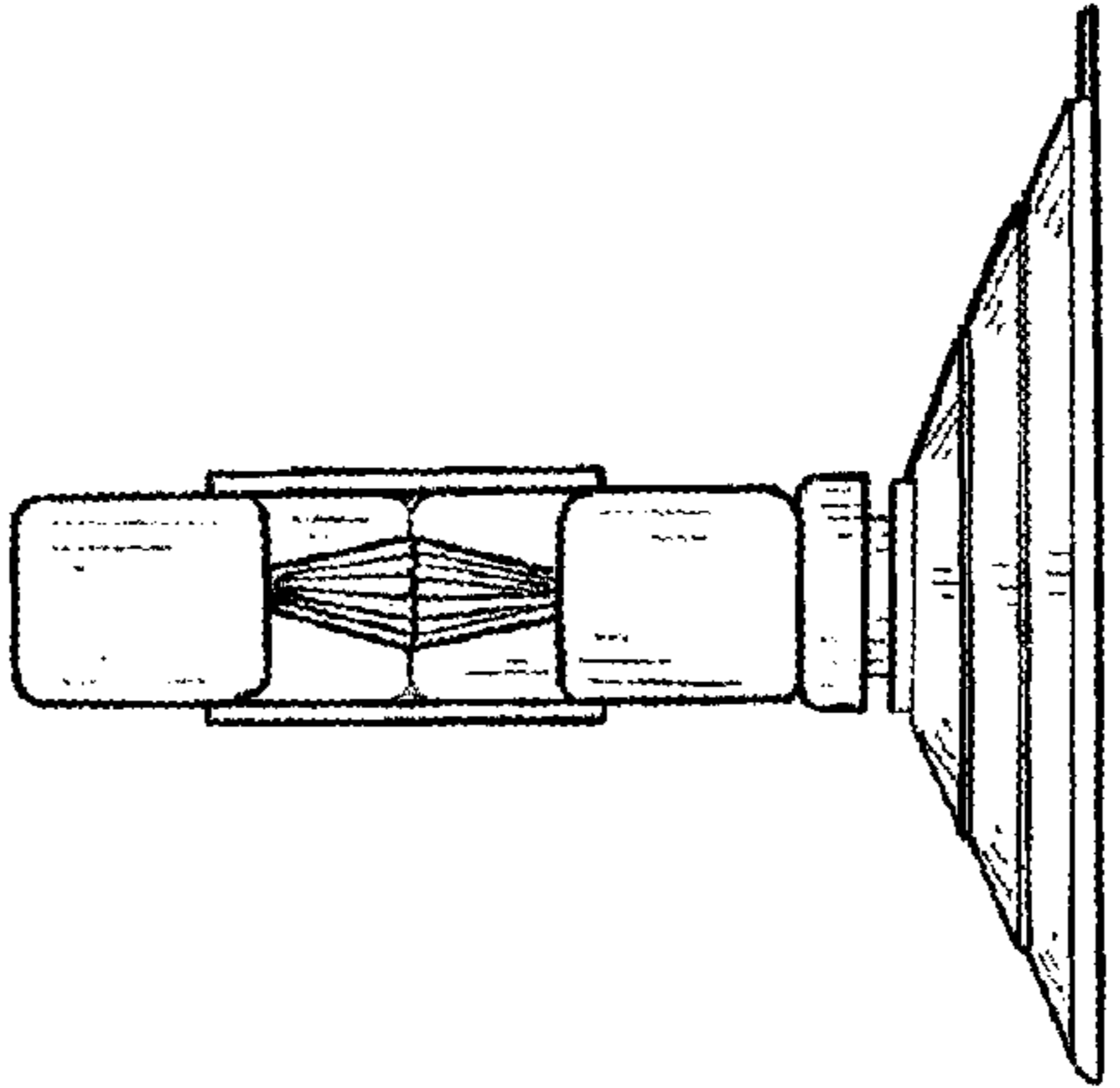


FIG. 4

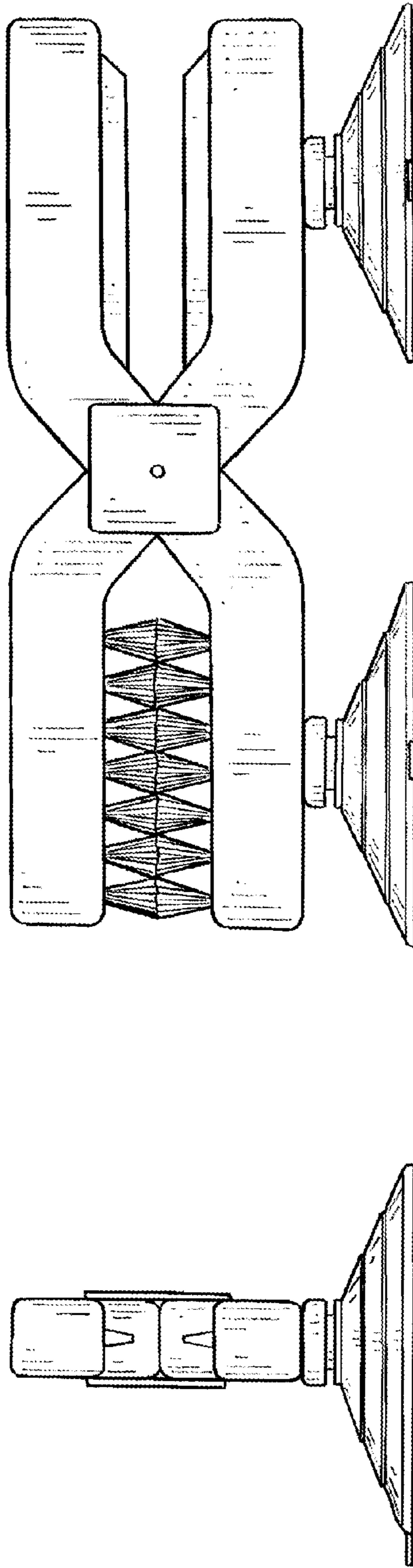


FIG 5

FIG 6

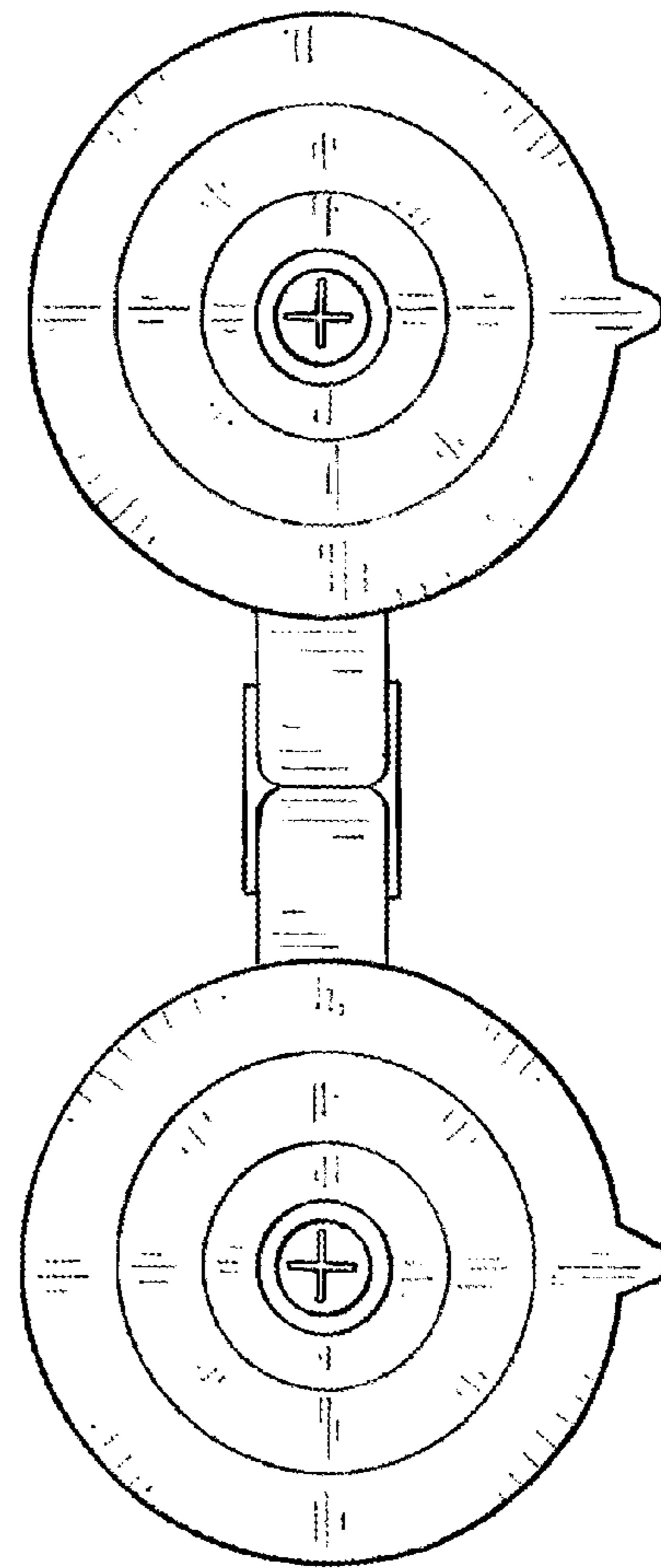


FIG 7