



US00D690888S

(12) **United States Design Patent**
Pearson et al.

(10) **Patent No.:** **US D690,888 S**

(45) **Date of Patent:** **** Oct. 1, 2013**

(54) **FLUID EXTRACTION TOOL**

(75) Inventors: **Dan Pearson**, Englewood, CO (US);
Adam Dean Bearup, Lakewood, CO
(US); **Eric Lynn Shark**, Littleton, CO
(US); **Nathan Hammer**, Centennial, CO
(US); **Richard James Couch**, Denver,
CO (US); **Al Jesse Varney**, Denver, CO
(US)

(73) Assignee: **Karcher North America, Inc.**,
Englewood, CO (US)

(**) Term: **14 Years**

(21) Appl. No.: **29/424,138**

(22) Filed: **Jun. 7, 2012**

(51) **LOC (9) Cl.** **15-05**

(52) **U.S. Cl.**
USPC **D32/32**

(58) **Field of Classification Search**
USPC D32/17-18, 31-33; 15/321-322,
15/415.1-422.1, 246.2, 400, 353; 38/77.5,
38/77.9; 392/384, 404; 68/5 R, 5 A, 222;
223/51, 70, 73; 239/538

See application file for complete search history.

(56) **References Cited**

U.S. PATENT DOCUMENTS

1,601,774	A	10/1926	Scheffer	
3,345,672	A	10/1967	La Mers et al.	
3,708,824	A	1/1973	Holubinka	
3,780,398	A *	12/1973	Candor	15/415.1
4,827,562	A	5/1989	Blase et al.	
5,134,748	A	8/1992	Lynn	
5,257,467	A	11/1993	White	
D358,238	S *	5/1995	Barnett	D32/50
5,459,901	A	10/1995	Blase et al.	
5,507,068	A	4/1996	Fan et al.	
5,706,548	A	1/1998	Schabacker	

D402,776	S *	12/1998	Carlson	D32/50
5,987,700	A *	11/1999	Edlund	15/420
5,989,414	A	11/1999	Bzorgi	
6,029,310	A	2/2000	Besel	
D426,473	S	6/2000	Blackburn	
6,080,243	A	6/2000	Insley et al.	
6,152,151	A	11/2000	Bolden et al.	
6,182,911	B1	2/2001	Hanks et al.	
D442,740	S	5/2001	Wolfe	
6,237,186	B1	5/2001	Griffiths	
6,266,892	B1	7/2001	Haynie	
6,298,577	B1	10/2001	Haynie	
D453,247	S *	1/2002	Lee	D32/32
6,353,975	B1	3/2002	Phillips	

(Continued)

OTHER PUBLICATIONS

“Flash Xtractor: Sub-Surface Flood Extraction Tool,” Water Claw,
revised Jan. 12, 2010, 9 pages.

(Continued)

Primary Examiner — Ruth McInroy

(74) *Attorney, Agent, or Firm* — Sheridan Ross P.C.

(57) **CLAIM**

The ornamental design for a fluid extraction tool, as shown
and described.

DESCRIPTION

FIG. 1 is a front perspective view of a fluid extraction tool
showing our new design;

FIG. 2 is a top plan view thereof;

FIG. 3 is a front elevation view thereof;

FIG. 4 is a right side elevation view thereof;

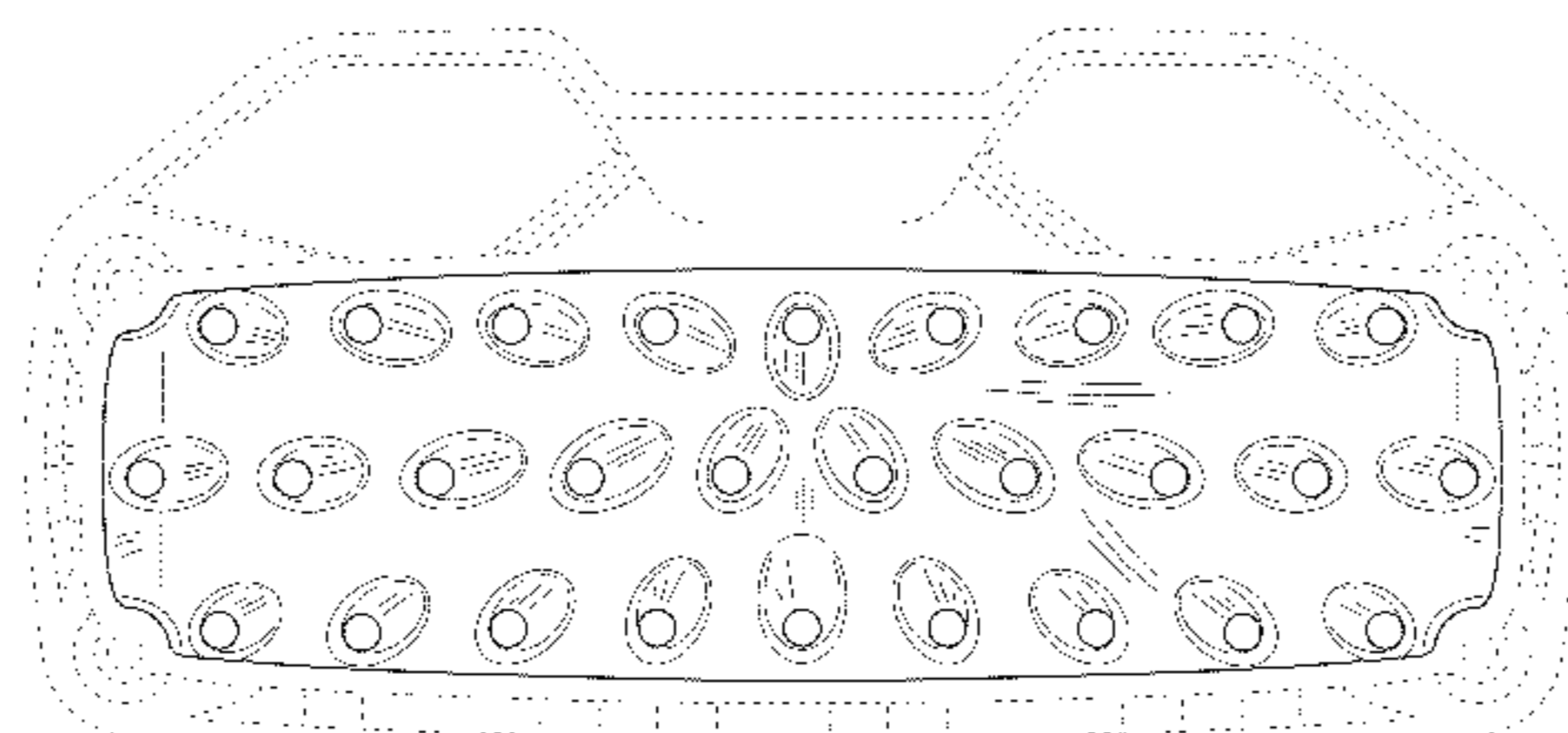
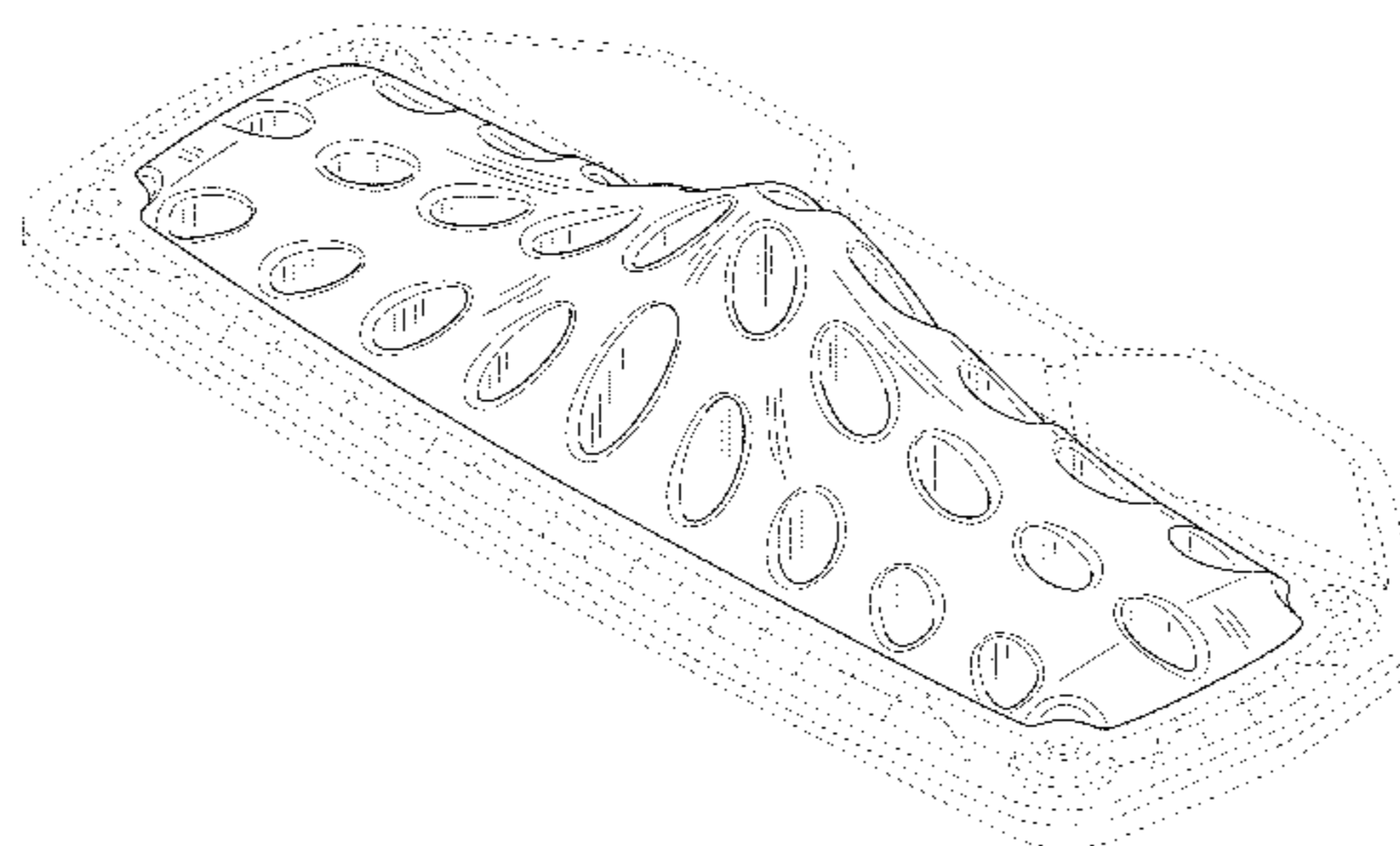
FIG. 5 is a left side elevation view thereof;

FIG. 6 is a rear elevation view thereof; and,

FIG. 7 is a bottom plan view thereof.

The broken lines showing a fluid extraction tool are for the
purpose of illustrating environment and form no part of the
claimed design.

1 Claim, 6 Drawing Sheets



(56)

References Cited

U.S. PATENT DOCUMENTS

6,355,112 B1 3/2002 Bartholmey et al.
 6,513,192 B1 2/2003 Pearlstein
 D480,467 S 10/2003 White
 6,629,333 B2 10/2003 Bolden
 D483,536 S * 12/2003 Martin D32/33
 D487,947 S * 3/2004 Pecci et al. D32/32
 D488,600 S * 4/2004 Pecci et al. D32/32
 D490,950 S * 6/2004 Pecci et al. D32/32
 D508,735 S 8/2005 Klein
 D515,190 S 2/2006 Bartholmey et al.
 D517,677 S 3/2006 Bartholmey
 D518,259 S * 3/2006 Wertz D32/33
 7,137,169 B2 * 11/2006 Murphy et al. 15/320
 7,293,322 B2 * 11/2007 Matousek et al. 15/320
 D563,068 S * 2/2008 Jiang et al. D32/50
 7,337,494 B2 * 3/2008 Baer et al. 15/403
 D574,565 S * 8/2008 Harper et al. D32/50
 D585,615 S * 1/2009 Enyuva D32/50
 7,520,015 B1 * 4/2009 Ajello 15/1.7

D612,115 S * 3/2010 Nicholas D32/32
 D612,116 S * 3/2010 Nicholas D32/33
 7,694,382 B2 4/2010 Williams et al.
 D617,066 S * 6/2010 Koenig et al. D32/50
 D625,480 S * 10/2010 Raven D32/50
 D629,982 S * 12/2010 Rossano et al. D32/33
 7,870,639 B2 1/2011 Thomas
 D634,414 S 3/2011 Wolfe et al.
 D635,315 S * 3/2011 Wertz D32/32
 D645,217 S * 9/2011 Rossano et al. D32/33
 D654,237 S * 2/2012 Vrdoljak D32/32
 D656,283 S * 3/2012 Lavy D32/45
 D657,928 S * 4/2012 Byrne D32/50
 D673,337 S * 12/2012 Chow D32/45
 2007/0062000 A1 * 3/2007 Murphy et al. 15/403

OTHER PUBLICATIONS

“Top Quality, time saving Wands—Hand Tools,” PMF, Oct. 15, 1989,
 3 pages.

* cited by examiner

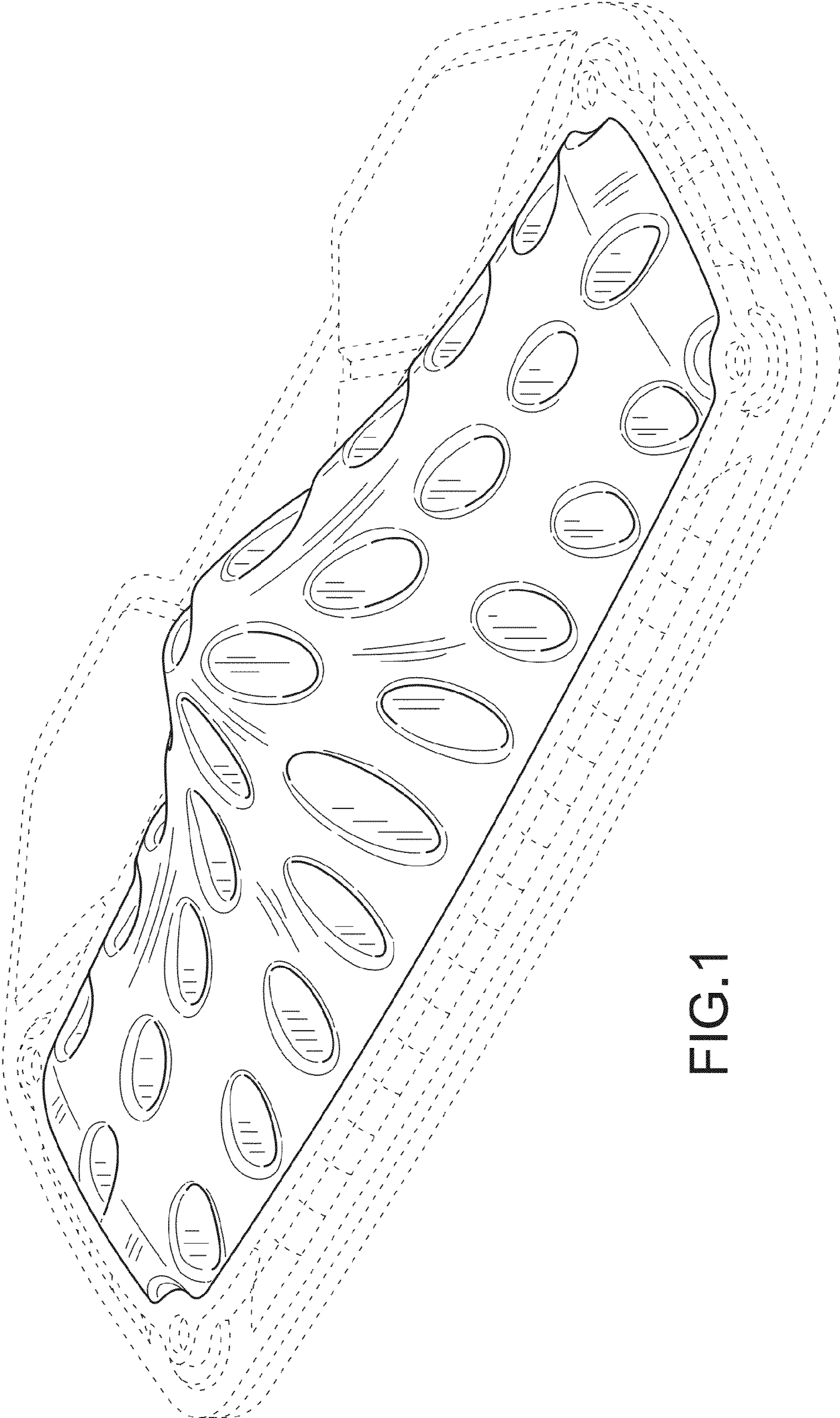


FIG.1

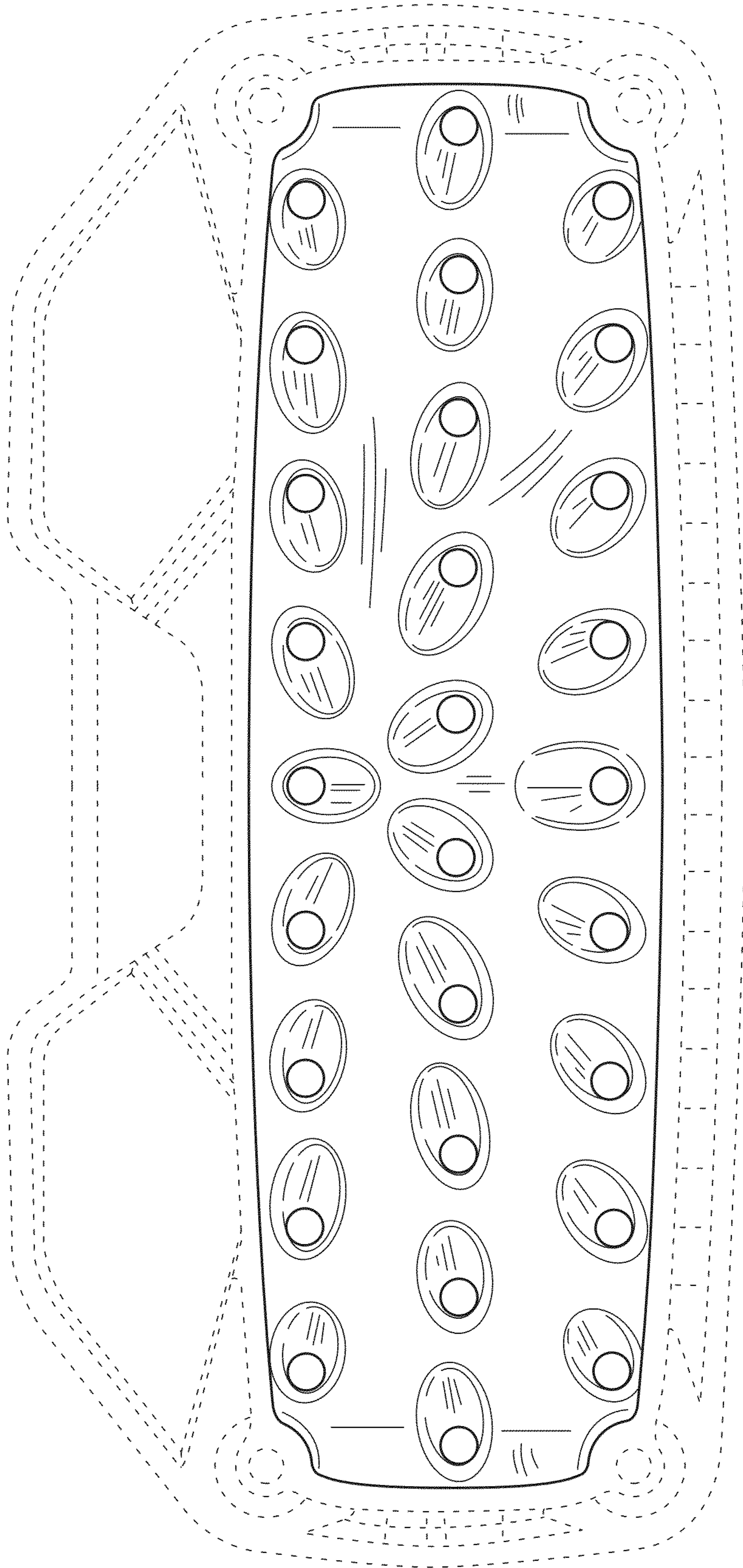


FIG.2

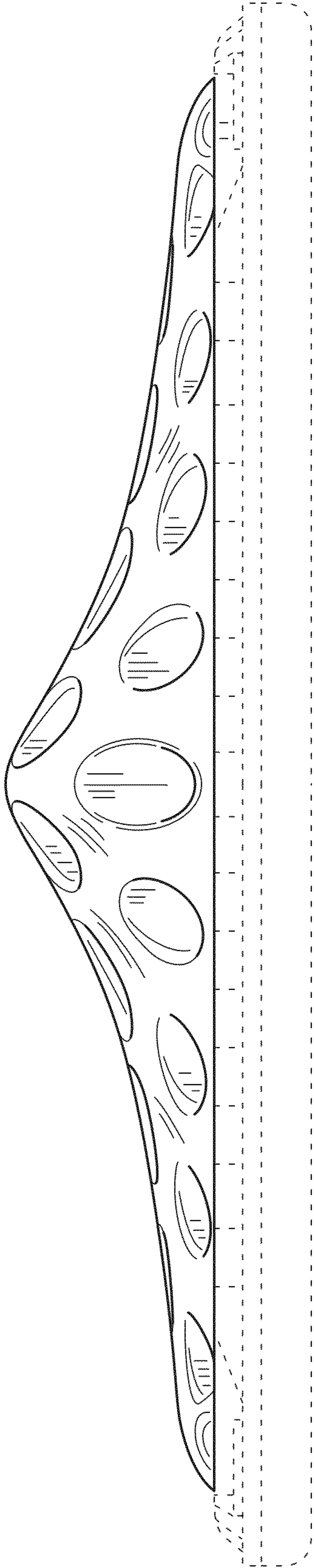


FIG.3

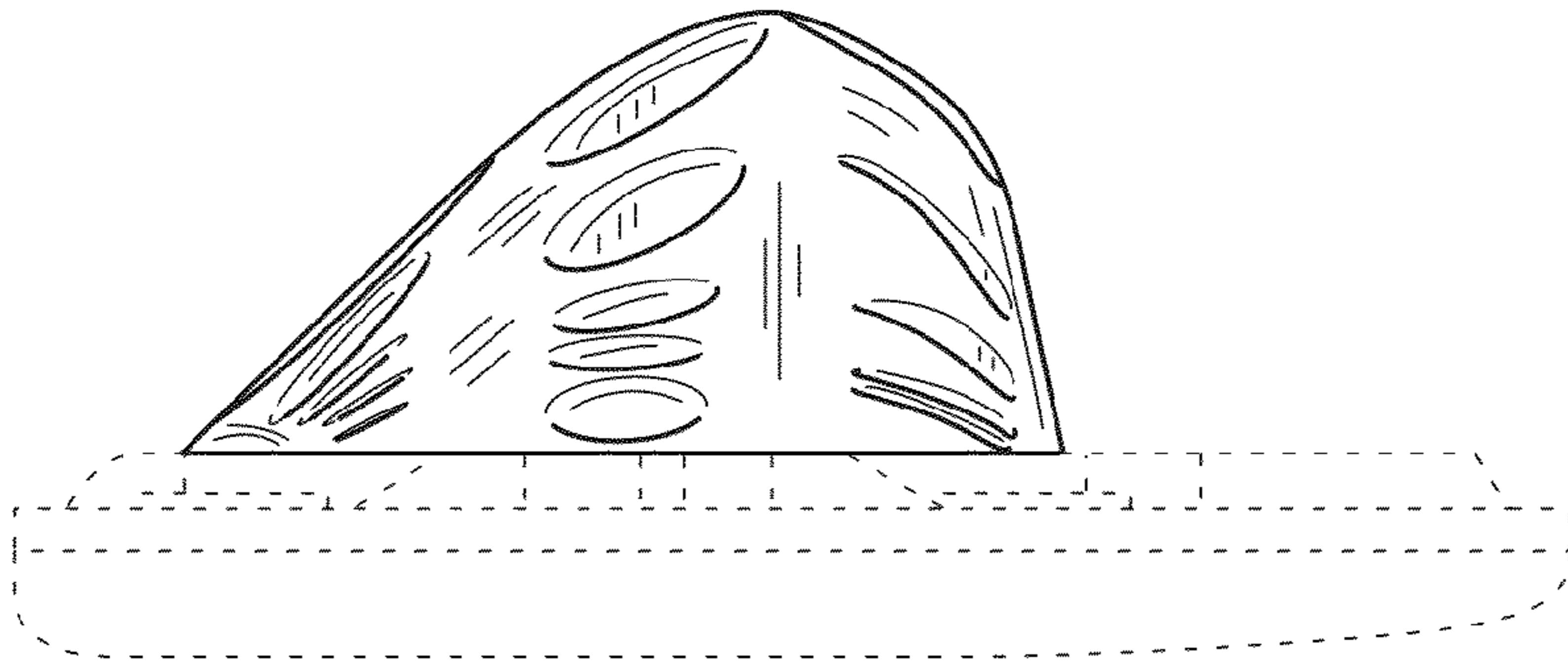


FIG. 4

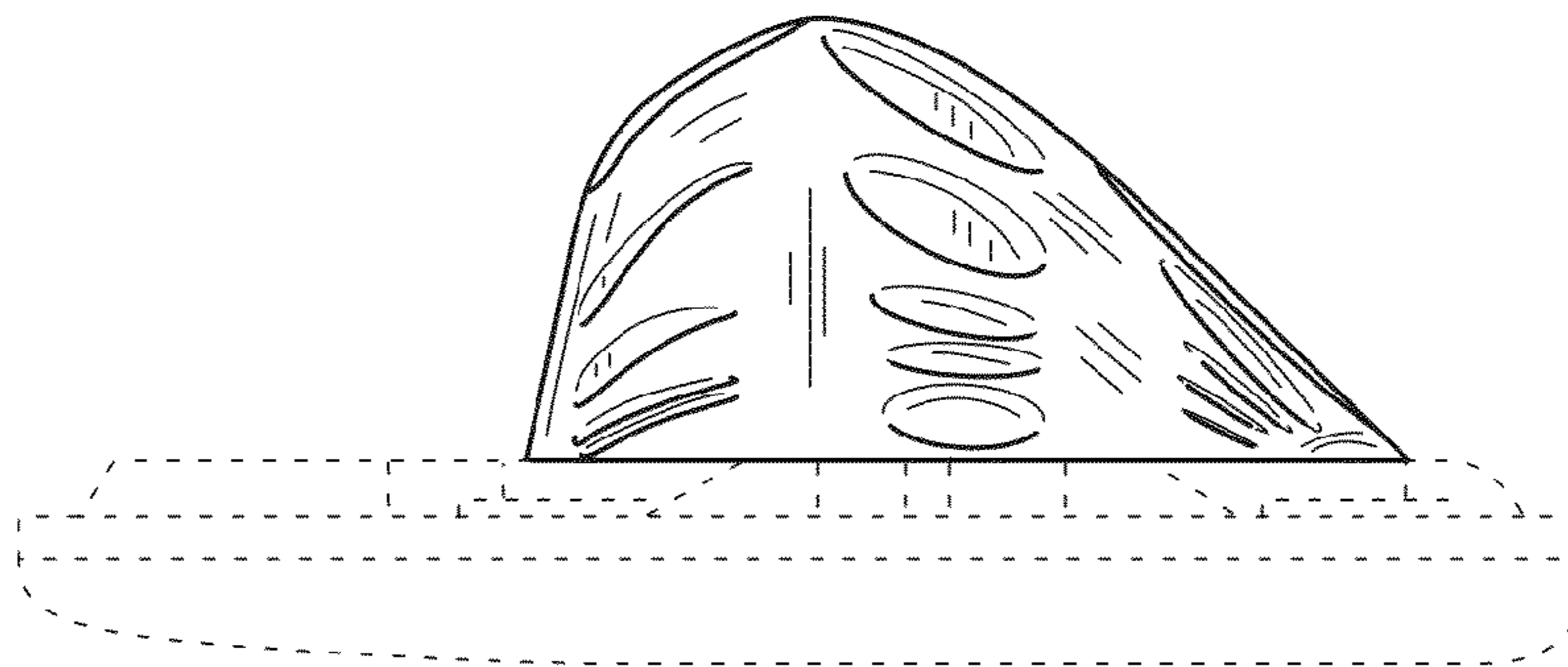


FIG. 5

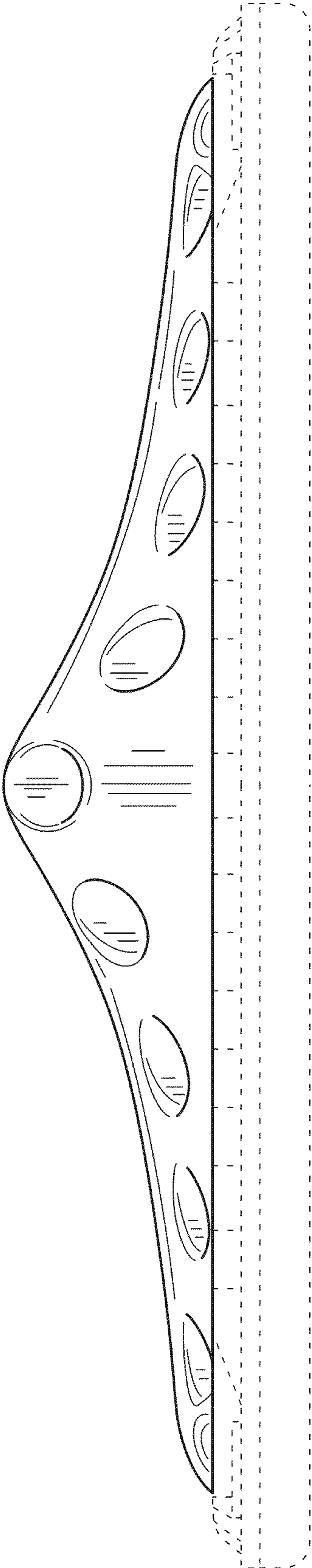


FIG.6

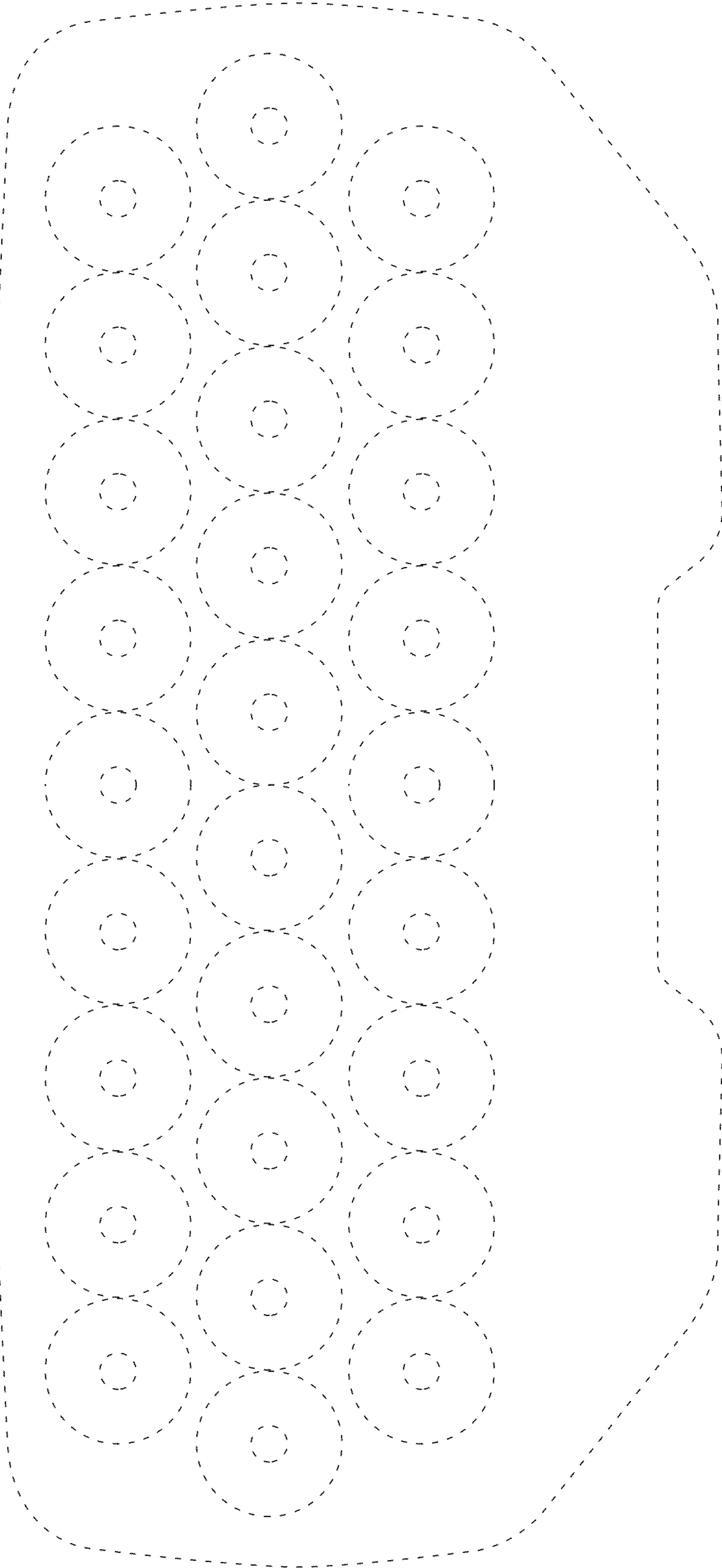


FIG.7