

US00D690886S

(12) **United States Design Patent**
Horick

(10) **Patent No.:** **US D690,886 S**

(45) **Date of Patent:** **** Oct. 1, 2013**

(54) **COMBINED DOG COLLAR AND LEASH**

(71) Applicant: **Teri Diane Horick**, Huntington Beach,
CA (US)

(72) Inventor: **Teri Diane Horick**, Huntington Beach,
CA (US)

(**) Term: **14 Years**

(21) Appl. No.: **29/443,362**

(22) Filed: **Jan. 16, 2013**

(51) **LOC (9) Cl.** **30-04**

(52) **U.S. Cl.**

USPC **D30/152**

(58) **Field of Classification Search**

USPC D30/144, 145, 146, 151, 152, 153,
D30/199; D2/767, 500, 602, 603, 604, 609,
D2/627, 629, 639; D3/207, 208, 215; 2/105,
2/129, 131, 133, 141.1, 171, 242, 301, 311,
2/321, 322, 336, 338, 908, 910, 911, 912,
2/916, 919, 920; D11/1-6, 11, 86, 87, 200,
D11/201, 215, 218, 231; 119/174, 654, 769,
119/772, 792, 793, 794, 795, 796, 797, 798,
119/815, 821, 850, 855, 856, 858-860, 863-865,
119/907; 70/459; 132/286; 63/1.12, 3, 3.1,
63/32, 35; 362/555, 570

See application file for complete search history.

(56) **References Cited**

U.S. PATENT DOCUMENTS

D36,809 S * 2/1904 Edelmann D2/604
1,559,165 A * 10/1925 Hammond 63/3

3,848,270 A * 11/1974 Rand 2/311
6,422,177 B1 * 7/2002 Noguero 119/856
6,513,167 B1 * 2/2003 Cheng 2/171
6,688,316 B1 * 2/2004 Klug 132/286
D498,336 S * 11/2004 Hong D30/152
7,421,980 B1 * 9/2008 Ehlers 119/858
2010/0277943 A1 * 11/2010 Hurwitz 362/555
2010/0277944 A1 * 11/2010 Hurwitz 362/570

* cited by examiner

Primary Examiner — Caron D Veynar

Assistant Examiner — Martie D Veynar

(74) *Attorney, Agent, or Firm* — Rutan & Tucker LLP; Hani
Z. Sayed

(57) **CLAIM**

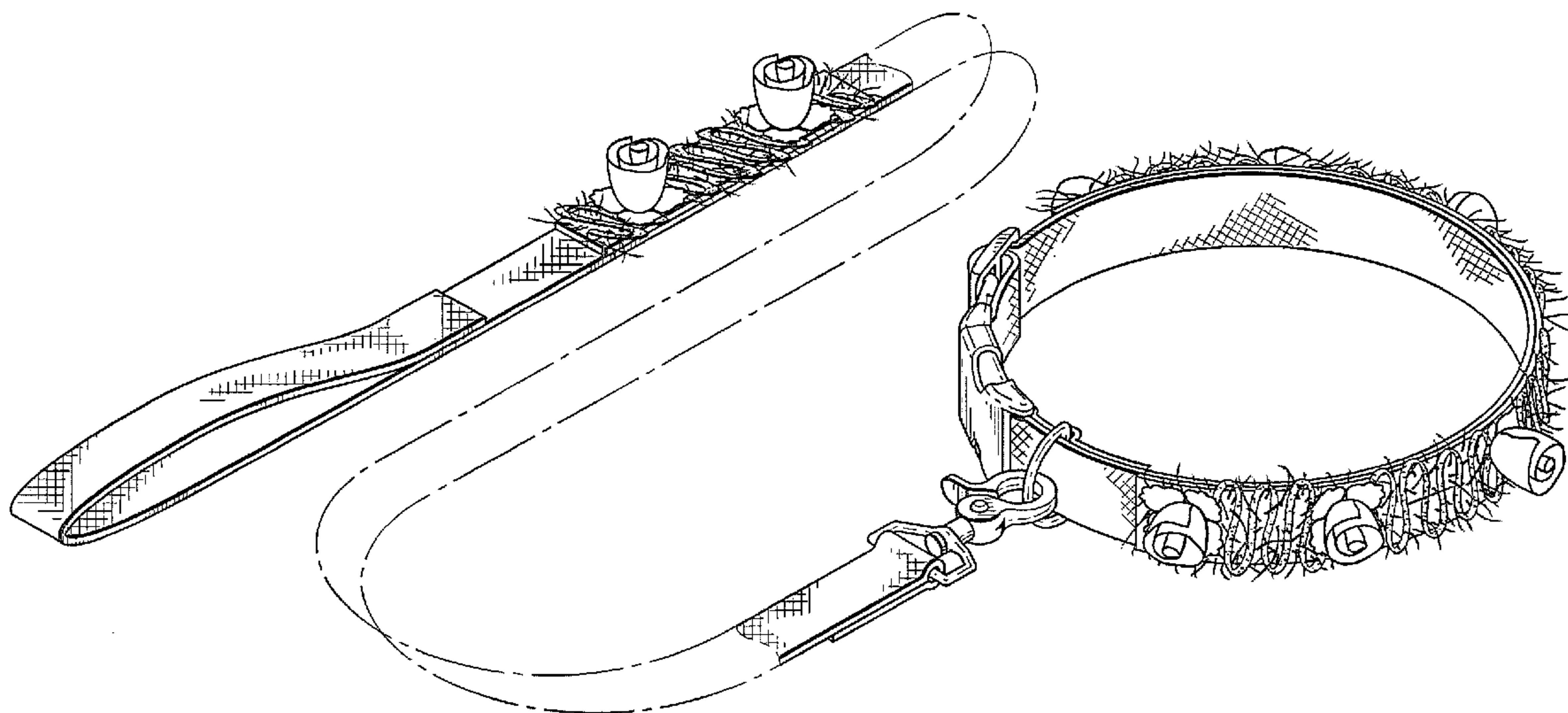
The ornamental design for a combined dog collar and leash,
as shown and described.

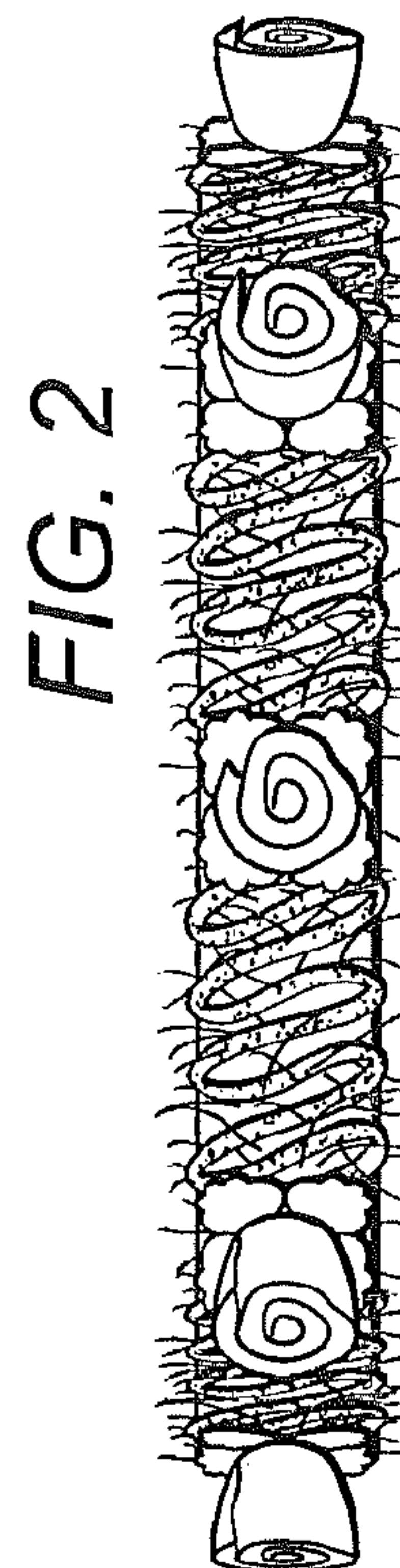
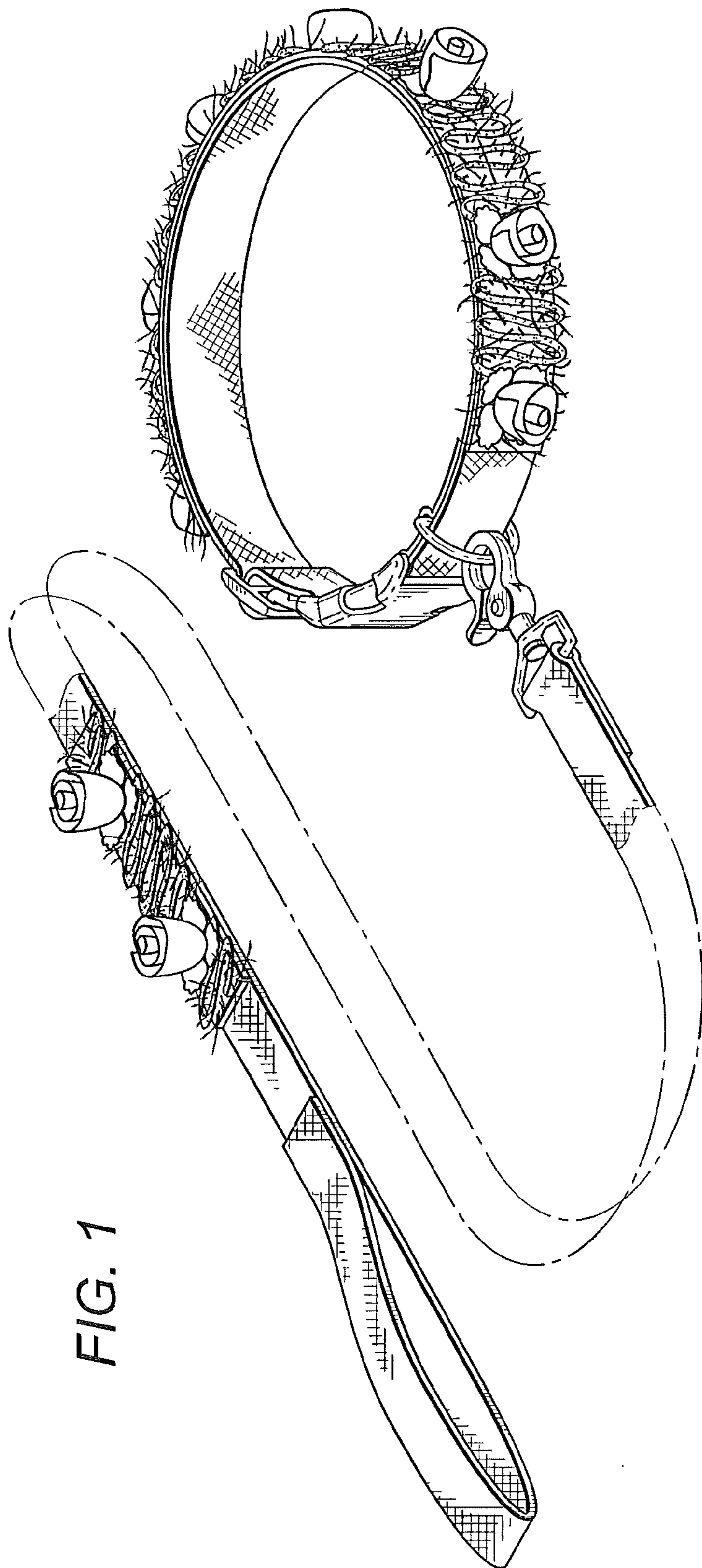
DESCRIPTION

FIG. 1 is a top, left rear perspective view of a combined dog
collar and leash showing my new design;
FIG. 2 is a front elevational view thereof;
FIG. 3 is a left side elevational view thereof;
FIG. 4 is a top plan view thereof;
FIG. 5 is a right side elevational view thereof;
FIG. 6 is a bottom plan view thereof; and,
FIG. 7 is a top, left rear perspective view thereof in an
exploded condition.

The broken line showing of a section of the leash is included
for the purpose of illustrating a part of the combined dog
collar and leash that forms no part of the claimed design.

1 Claim, 5 Drawing Sheets





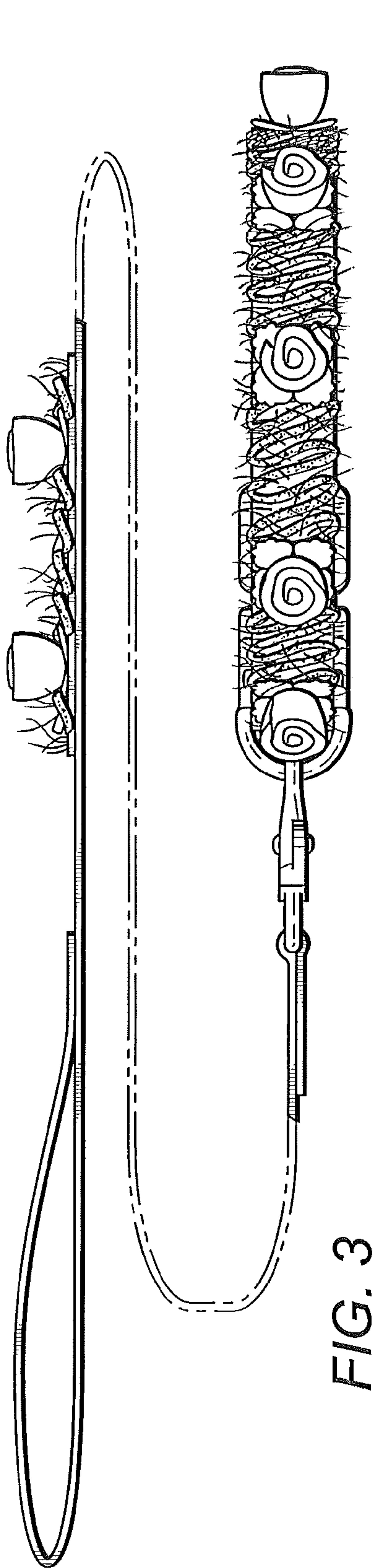


FIG. 3

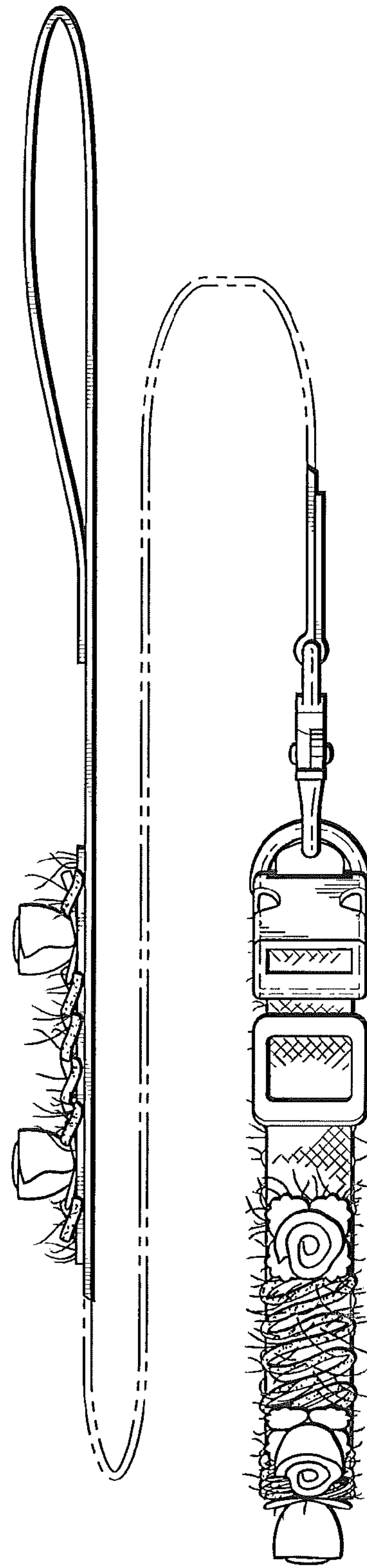


FIG. 5

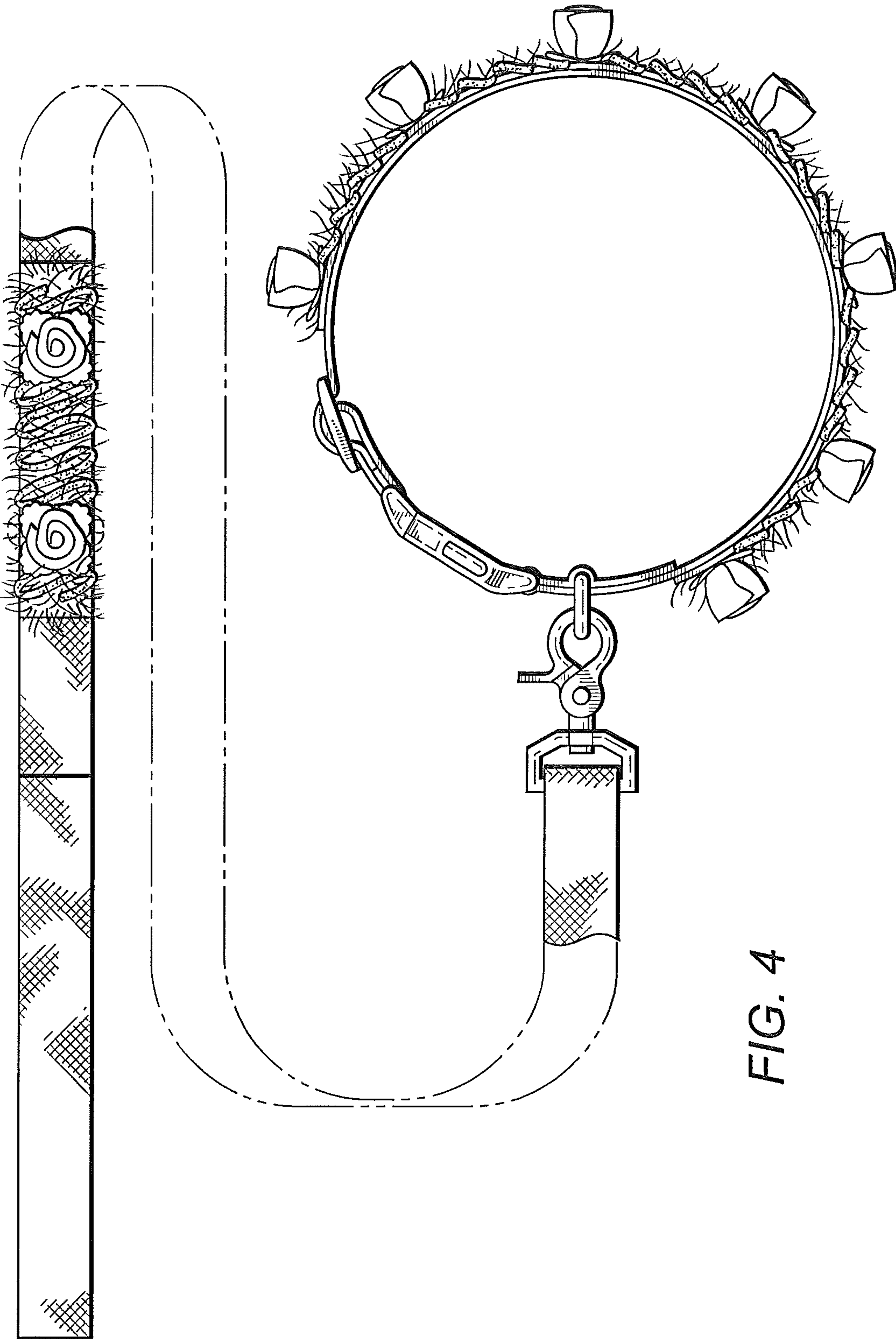


FIG. 4

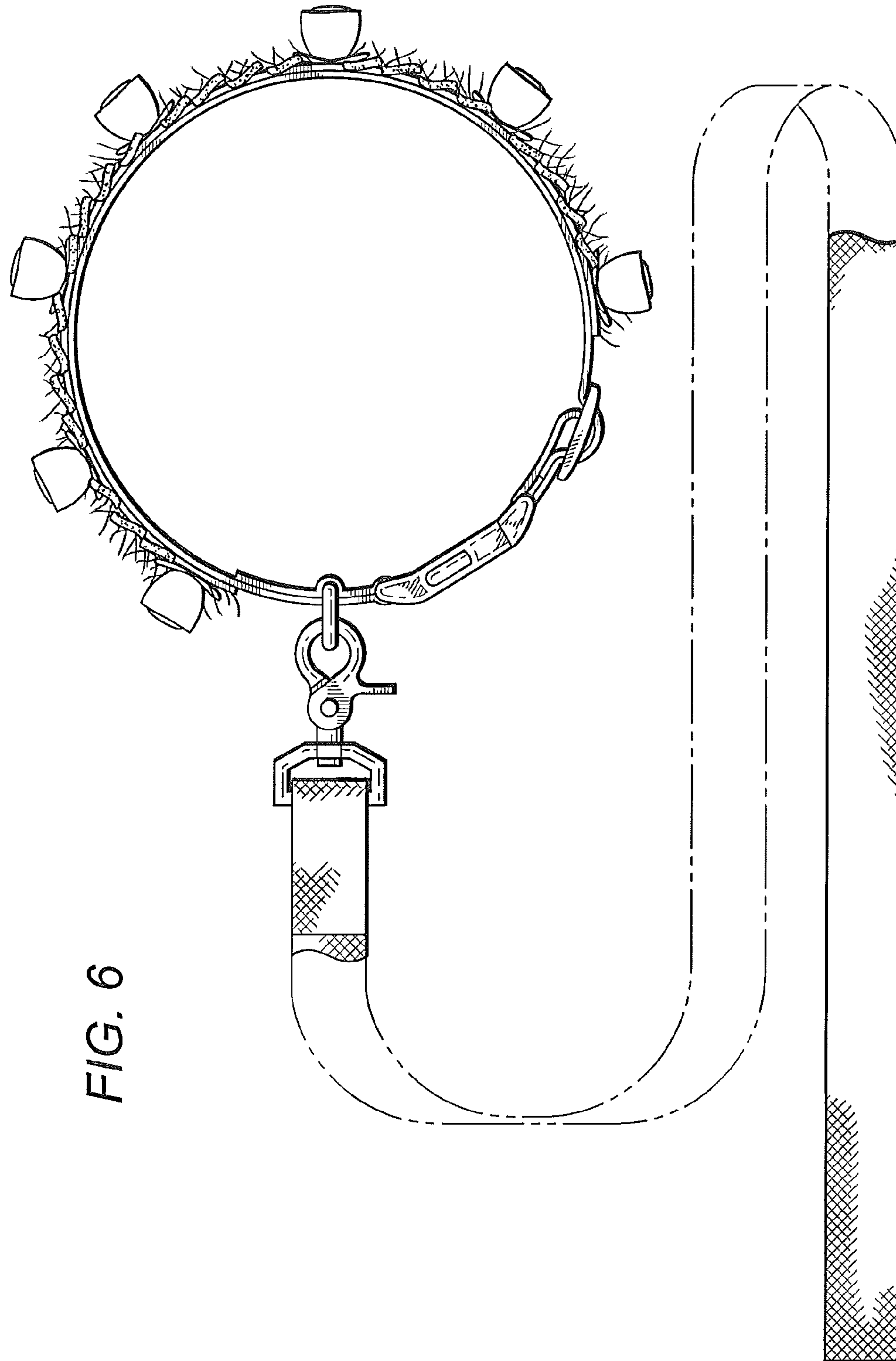


FIG. 6

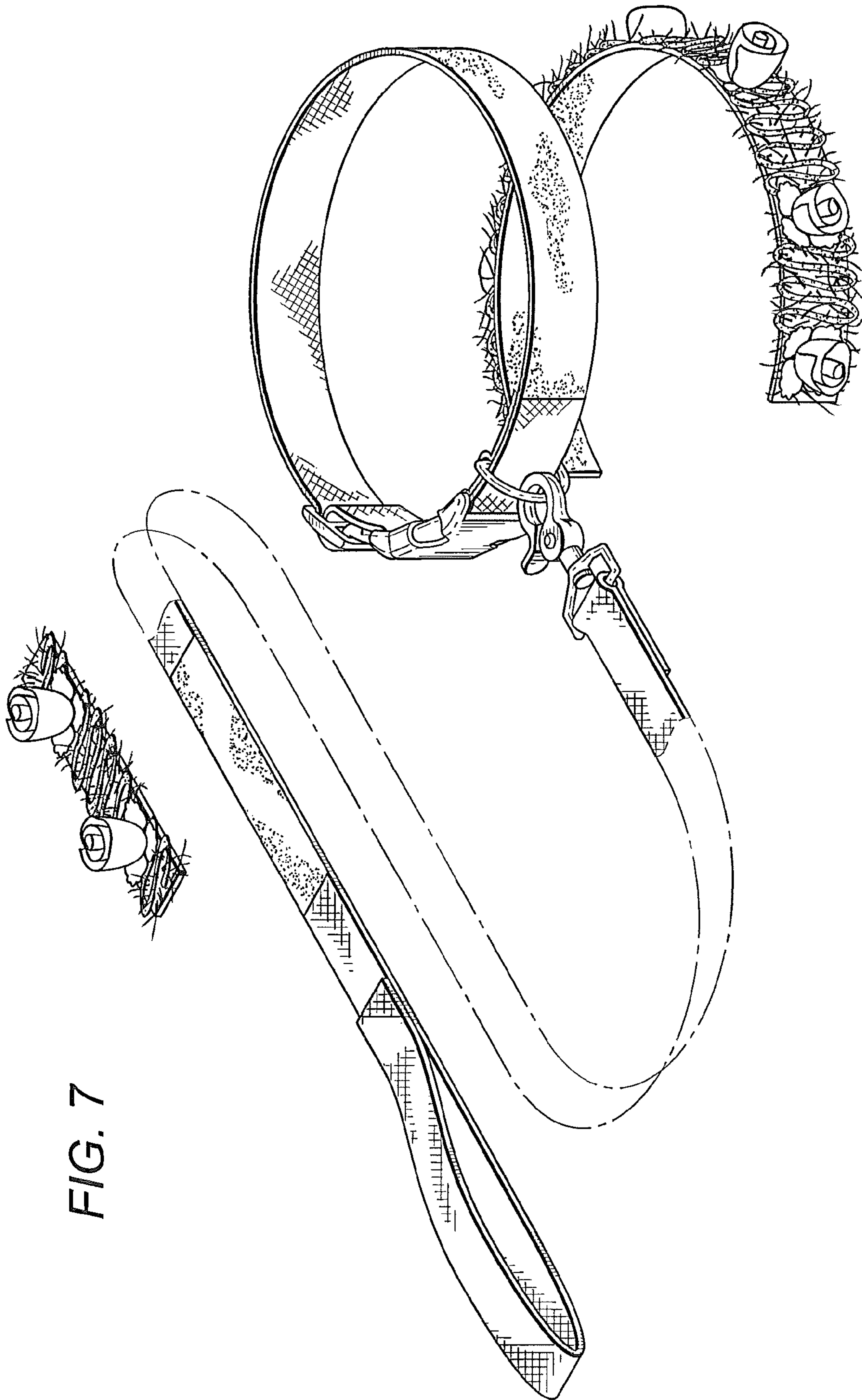


FIG. 7