

US00D690881S

(12) **United States Design Patent**
Lai

(10) **Patent No.:** **US D690,881 S**
(45) **Date of Patent:** **** Oct. 1, 2013**

(54) **POWDER CONTAINER INSERT**
(76) Inventor: **Jenn-Shyang Lai**, Taichung (TW)
(**) Term: **14 Years**
(21) Appl. No.: **29/407,319**
(22) Filed: **Nov. 28, 2011**

(30) **Foreign Application Priority Data**
Sep. 16, 2011 (TW) 100304886
(51) **LOC (9) Cl.** **28-03**
(52) **U.S. Cl.**
USPC **D28/82**
(58) **Field of Classification Search**
USPC D28/76, 82; 132/299, 298, 306,
132/307; 220/480, 565
See application file for complete search history.

(56) **References Cited**
U.S. PATENT DOCUMENTS
6,053,183 A * 4/2000 Rizzo 132/307
8,210,187 B1 * 7/2012 Zhang 132/299
8,387,627 B2 * 3/2013 Yeom 132/307
2003/0154997 A1 * 8/2003 Lin 132/307
2006/0278665 A1 * 12/2006 Bennett 222/480
2008/0178903 A1 * 7/2008 Thorpe et al. 132/307

2008/0190444 A1 * 8/2008 Bennett 132/306
2009/0188518 A1 * 7/2009 Thorpe et al. 132/307
2009/0205673 A1 * 8/2009 Richardson 132/307
2010/0252586 A1 * 10/2010 Jimenez et al. 222/480
2010/0307530 A1 * 12/2010 Bennett 132/307
2011/0108054 A1 * 5/2011 Lee 132/299
2012/0048294 A1 * 3/2012 Yeom 132/299
2012/0085791 A1 * 4/2012 Groubert et al. 222/480
2013/0068801 A1 * 3/2013 Lai 222/565

* cited by examiner

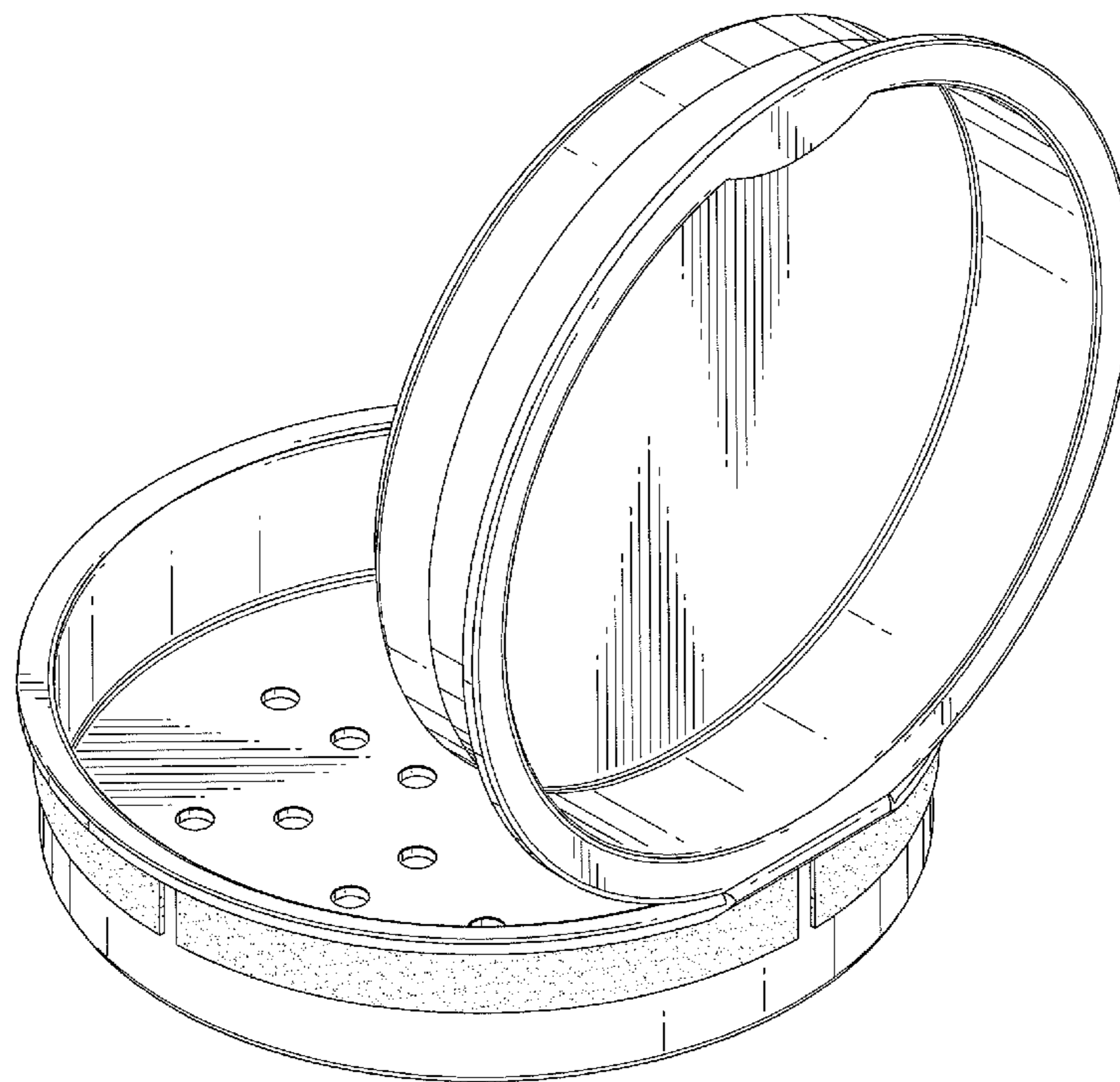
Primary Examiner — Jennifer Rivard
(74) *Attorney, Agent, or Firm* — Whyte Hirschboeck Dudek S.C.

(57) **CLAIM**
The ornamental design for powder container insert, as shown and described.

DESCRIPTION

FIG. 1 is a perspective view of powder container insert showing my new design;
FIG. 2 is a front elevational view thereof;
FIG. 3 is a rear elevational view thereof;
FIG. 4 is a left side elevational view thereof;
FIG. 5 is a right side elevational view thereof;
FIG. 6 is a top plan view thereof;
FIG. 7 is a bottom plan view thereof; and,
FIG. 8 is a perspective view of the design in use.

1 Claim, 8 Drawing Sheets



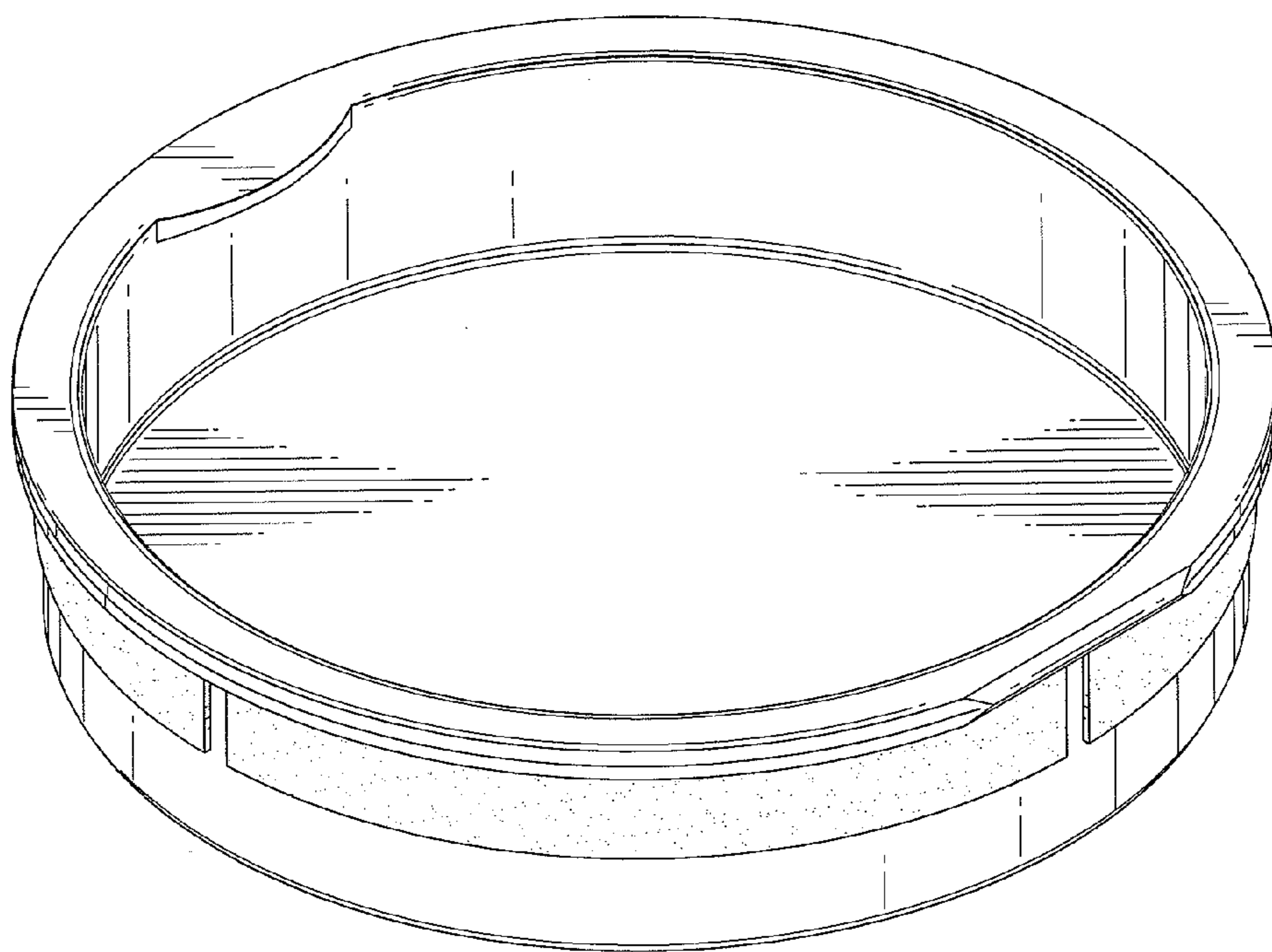


FIG. 1

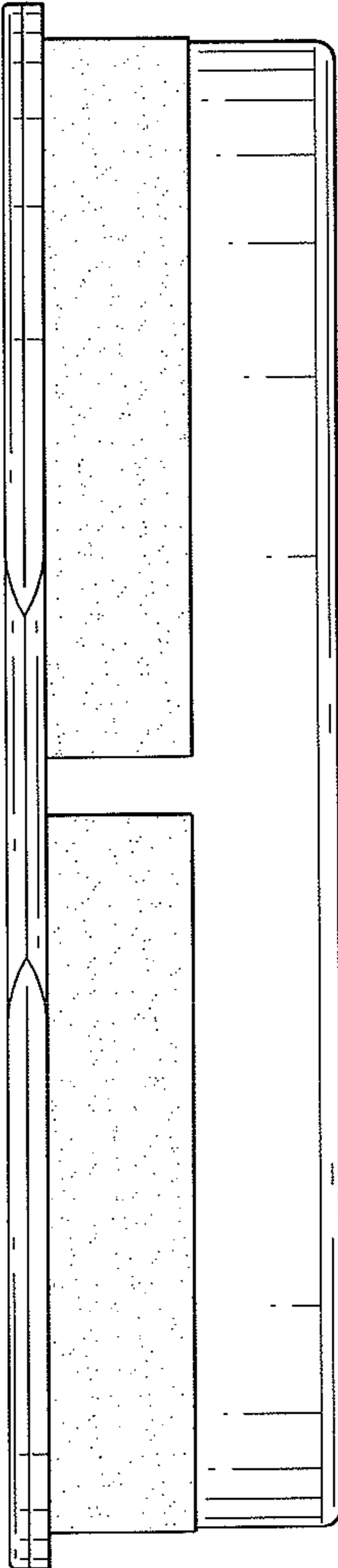


FIG. 2

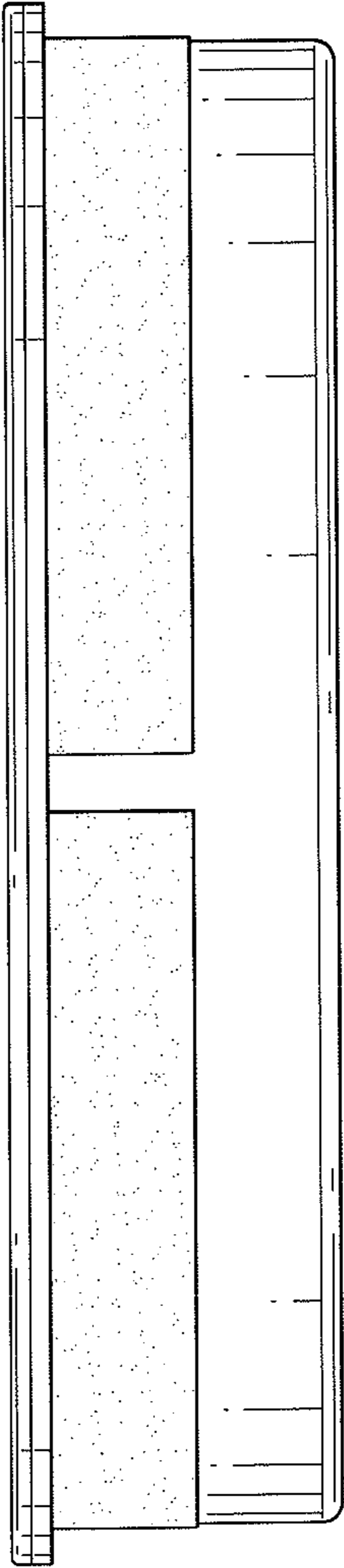


FIG. 3

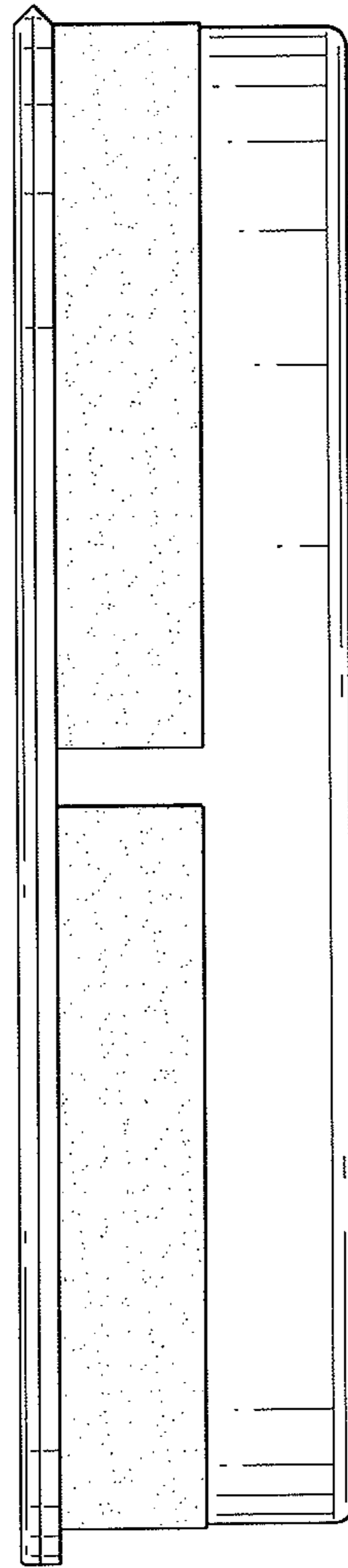


FIG. 4

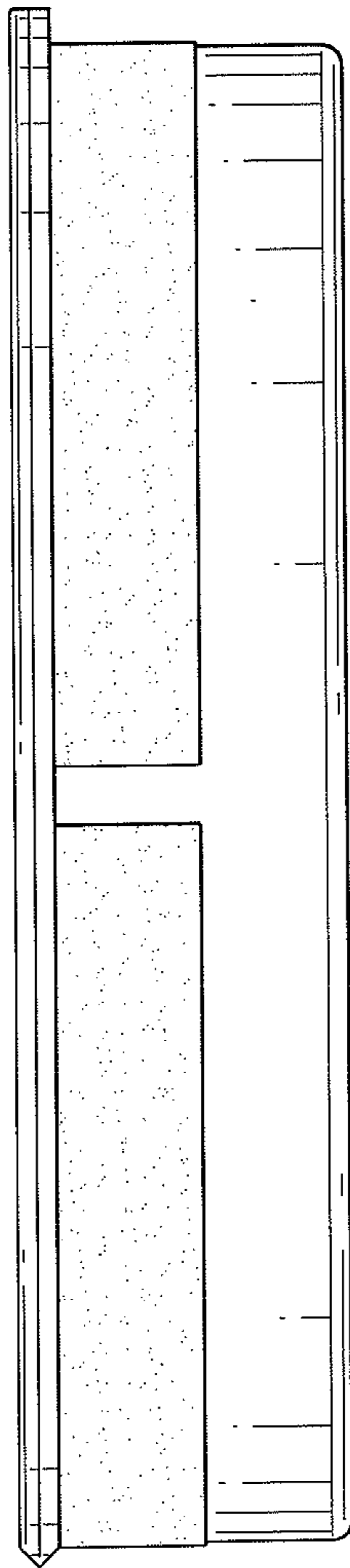


FIG. 5

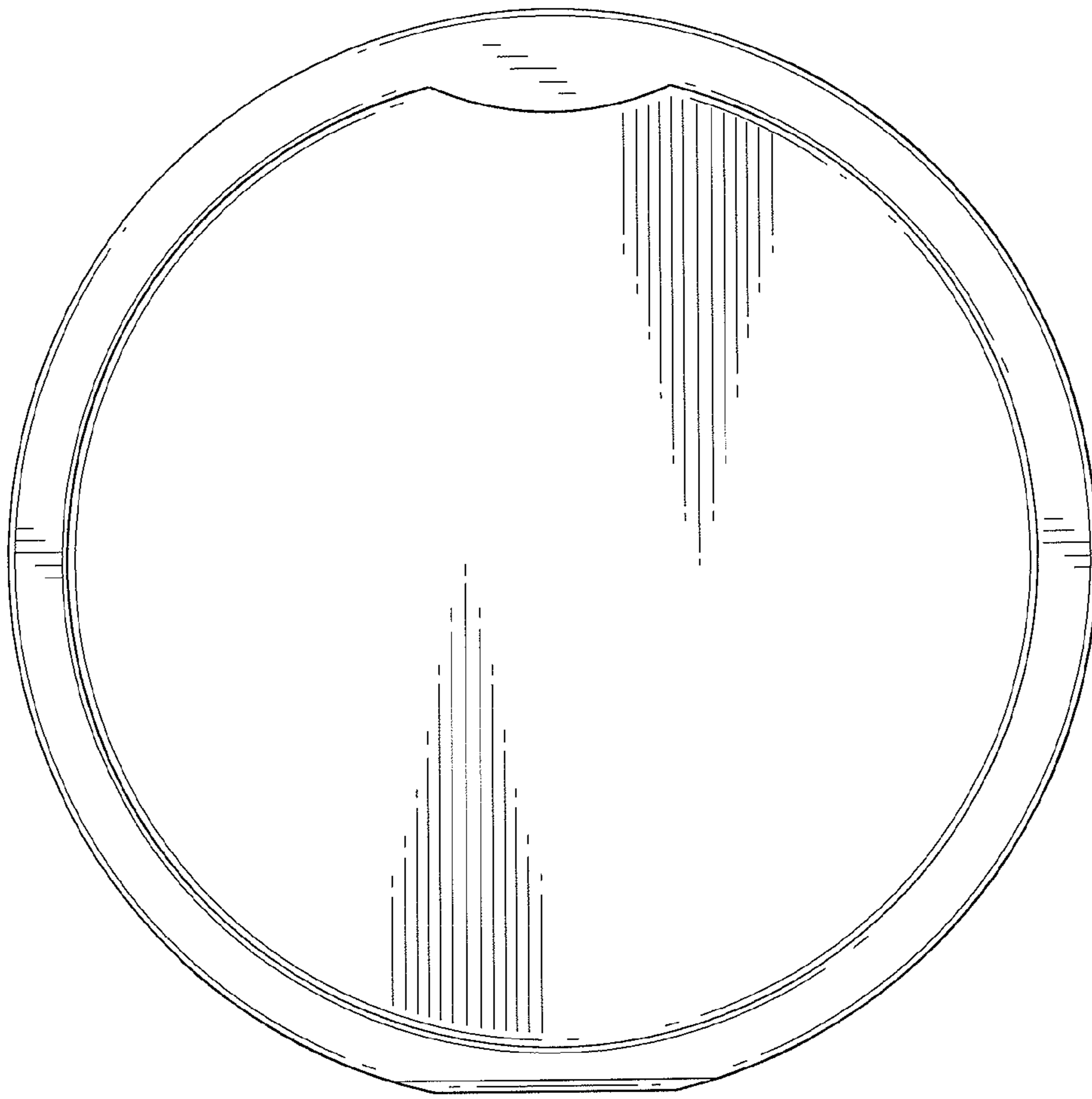


FIG. 6

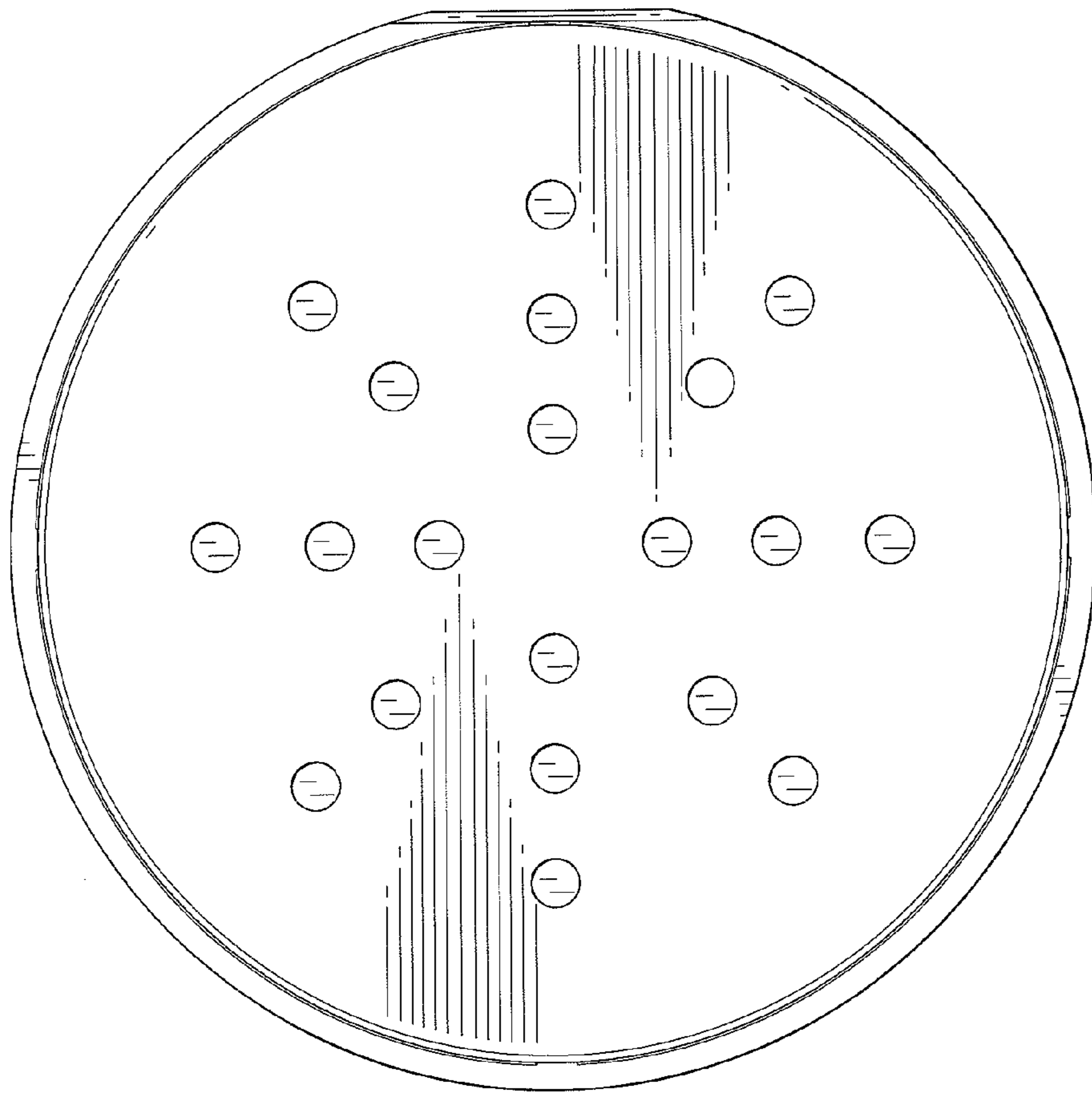


FIG. 7

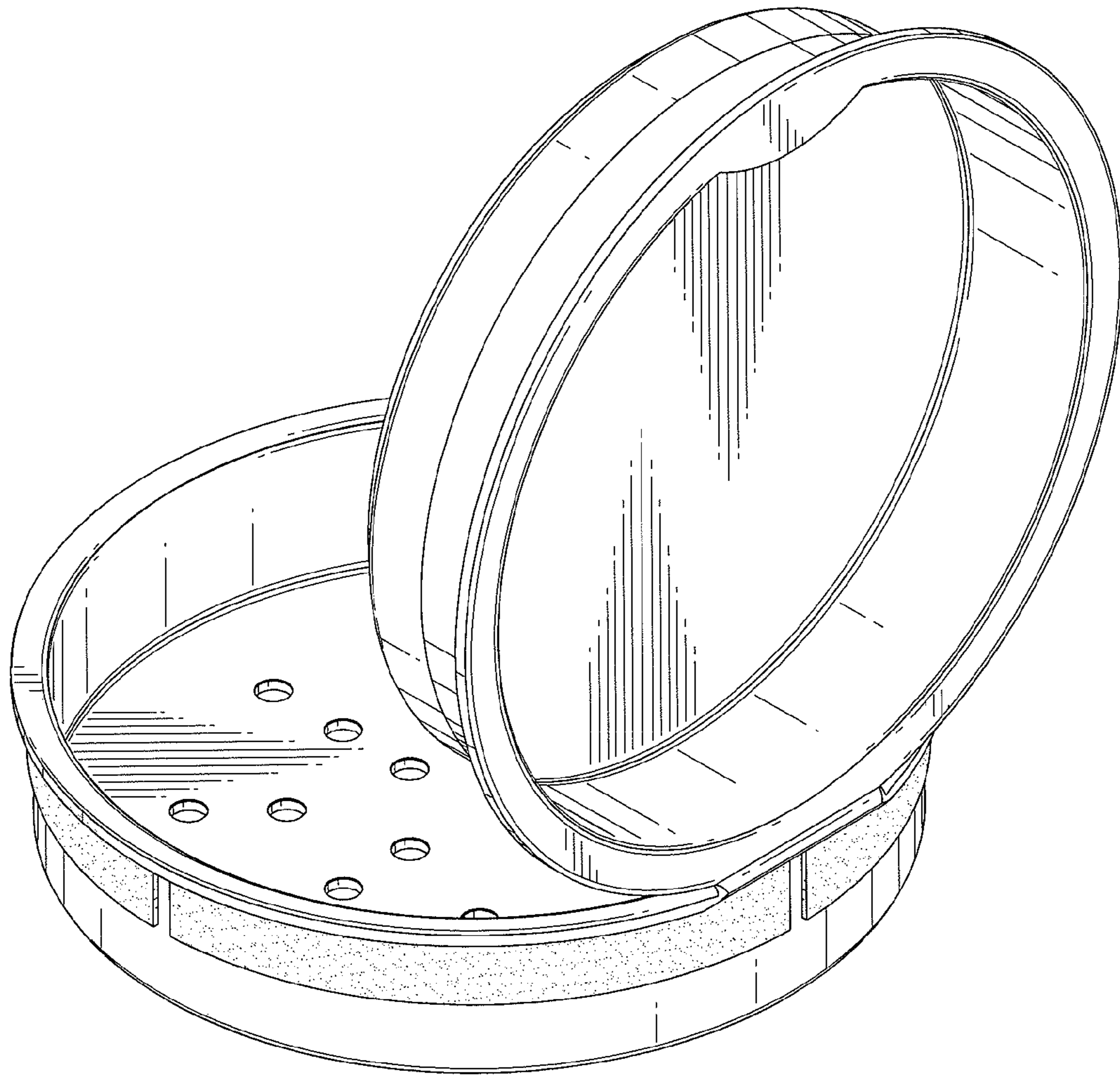


FIG. 8