

US00D690875S

(12) **United States Design Patent**
McKenzie et al.

(10) **Patent No.:** **US D690,875 S**
(45) **Date of Patent:** **** Oct. 1, 2013**

(54) **LED LIGHT REFLECTOR**

(71) Applicants: **Cammie McKenzie**, Palmdale, CA
(US); **Julie McKenzie**, Palmdale, CA
(US)

(72) Inventors: **Cammie McKenzie**, Palmdale, CA
(US); **Julie McKenzie**, Palmdale, CA
(US)

(**) Term: **14 Years**

(21) Appl. No.: **29/457,550**

(22) Filed: **Jun. 11, 2013**

(51) **LOC (9) Cl.** **26-99**

(52) **U.S. Cl.**
USPC **D26/118**

(58) **Field of Classification Search**
USPC D26/25, 24, 26, 28, 113, 118, 119,
D26/120, 64, 65, 72, 74, 75, 73, 68, 69, 70,
D26/71, 152, 153, 154, 122, 123, 145, 155,
D26/121, 138, 139, 86, 85, 87, 89, 66, 67,
D26/76, 77, 78, 84, 88, 95, 96, 124, 125,
D26/126, 227, 128, 129, 146, 144, 130, 151,
D26/142, 143, 140, 141, 45, 38, 39, 1, 2,
D26/3, 127; 362/362, 326, 373, 623, 600,
362/371, 297, 294, 249.01, 249.03–249.05,
362/218; D10/111, 113.1, 114.1; 257/88;
D13/179, 180

See application file for complete search history.

(56) **References Cited**

U.S. PATENT DOCUMENTS

D155,680 S * 10/1949 Baker D26/86
D165,259 S * 11/1951 Baker D26/74
3,995,798 A * 12/1976 Nikolaus et al. 248/214
D258,919 S * 4/1981 Kristofek D26/142
D351,251 S 10/1994 Schreder
D357,090 S 4/1995 Hamrin
D365,159 S * 12/1995 Tinen D25/138

D408,310 S 4/1999 Hashizume
D423,692 S 4/2000 Hashizume
D439,008 S * 3/2001 Kim D26/118
D524,475 S * 7/2006 Randazzo et al. D26/71
D544,136 S 6/2007 Hargreaves
D544,138 S 6/2007 Hargreaves
D560,016 S 1/2008 Arndt
D565,235 S 3/2008 Smith
D566,884 S 4/2008 Lou
D569,024 S * 5/2008 Redfern D26/74
D577,454 S * 9/2008 Maxik et al. D26/63
D586,499 S 2/2009 Mayer
D586,500 S 2/2009 Mayer
D586,944 S 2/2009 Mayer
D592,347 S * 5/2009 Trott et al. D26/74
D592,348 S * 5/2009 Trott et al. D26/74
D601,741 S * 10/2009 Trott et al. D26/74
D604,450 S 11/2009 Blumer
D614,338 S * 4/2010 Sieczkowski et al. D26/74
D614,801 S * 4/2010 Collins et al. D26/118
7,699,488 B2 * 4/2010 Drees 362/147
D628,335 S * 11/2010 Hyland D26/74

(Continued)

Primary Examiner — Kevin Rudzinski

(74) *Attorney, Agent, or Firm* — Mark Terry

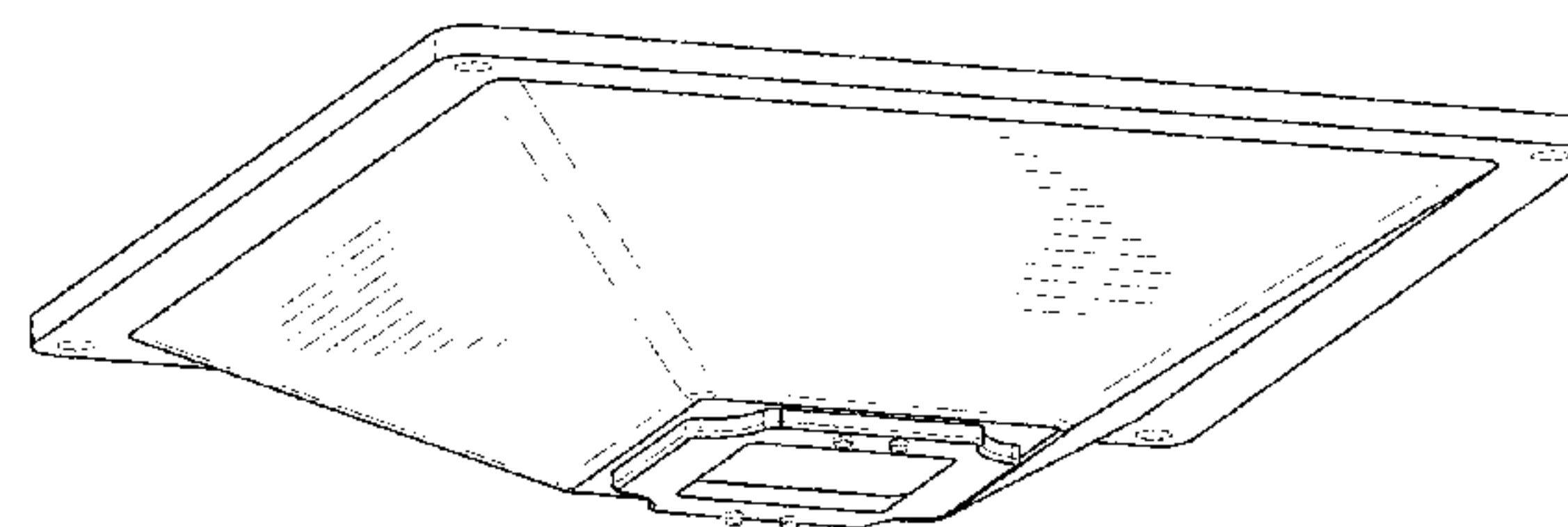
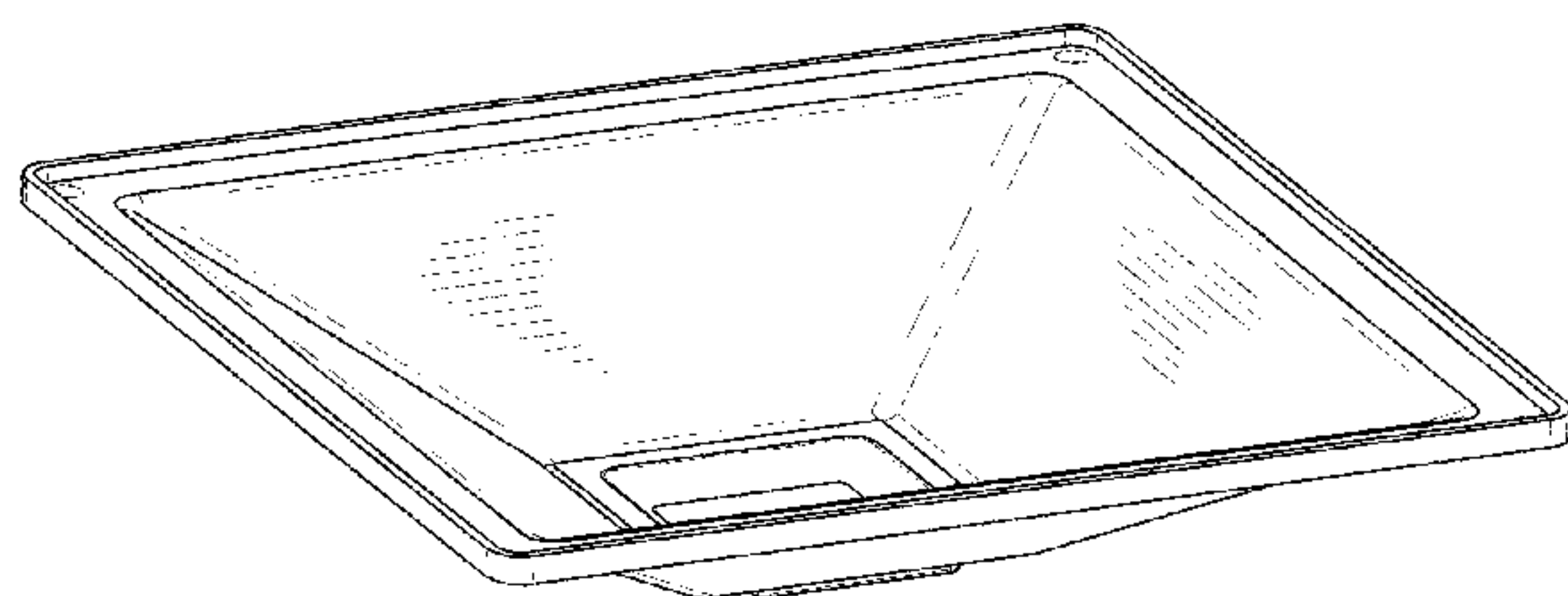
(57) **CLAIM**

The ornamental design for an LED light reflector, as shown and described.

DESCRIPTION

FIG. 1 is a top perspective view of an LED light reflector, showing the new design;
FIG. 2 is a bottom perspective view thereof;
FIG. 3 is a bottom view thereof;
FIG. 4 is a front view thereof;
FIG. 5 is a top view thereof; and,
FIG. 6 is a side view thereof.
The broken lines shown in the drawings illustrate portions of the LED light reflector that form no part of the claimed design.

1 Claim, 3 Drawing Sheets



(56)

References Cited

U.S. PATENT DOCUMENTS

D631,990 S 2/2011 Bobel
D631,991 S 2/2011 Bobel
D638,975 S * 5/2011 Hyland D26/74
D641,918 S * 7/2011 Reo et al. D26/118
D659,879 S 5/2012 Rashidi
D668,378 S 10/2012 Cai
8,297,798 B1 * 10/2012 Pittman et al. 362/296.05

D675,369 S * 1/2013 Michaud D26/118
8,382,340 B2 * 2/2013 Boyer et al. 362/368
D683,493 S 5/2013 Villamizar
D683,882 S 6/2013 Rashidi
D685,520 S * 7/2013 O'Driscoll et al. D26/118
2008/0278950 A1 * 11/2008 Pickard et al. 362/294
2008/0278952 A1 * 11/2008 Trott et al. 362/299
2008/0278957 A1 * 11/2008 Pickard et al. 362/373

* cited by examiner

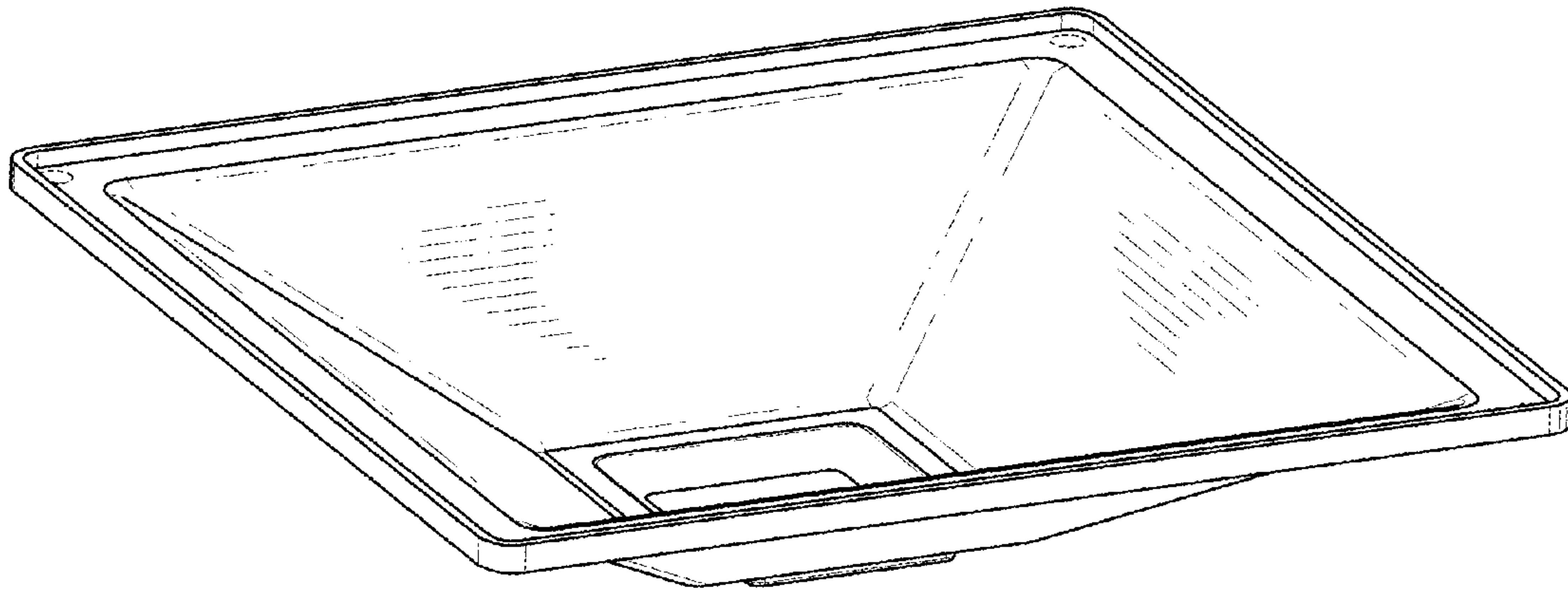


Fig. 1

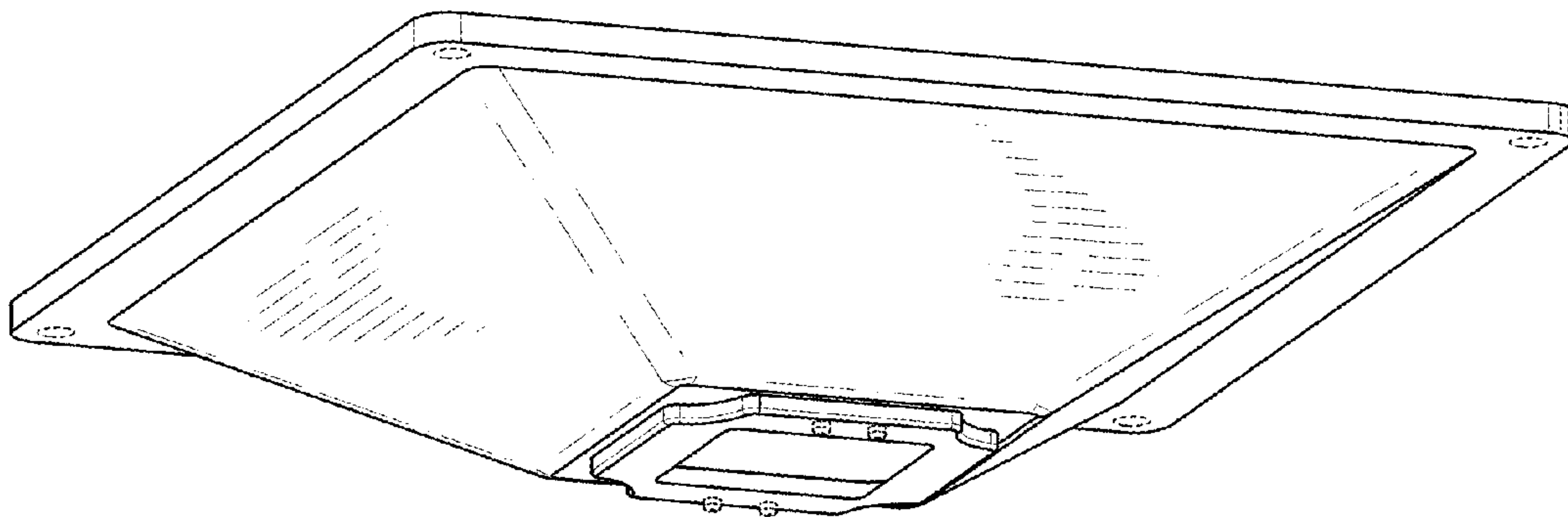


Fig. 2

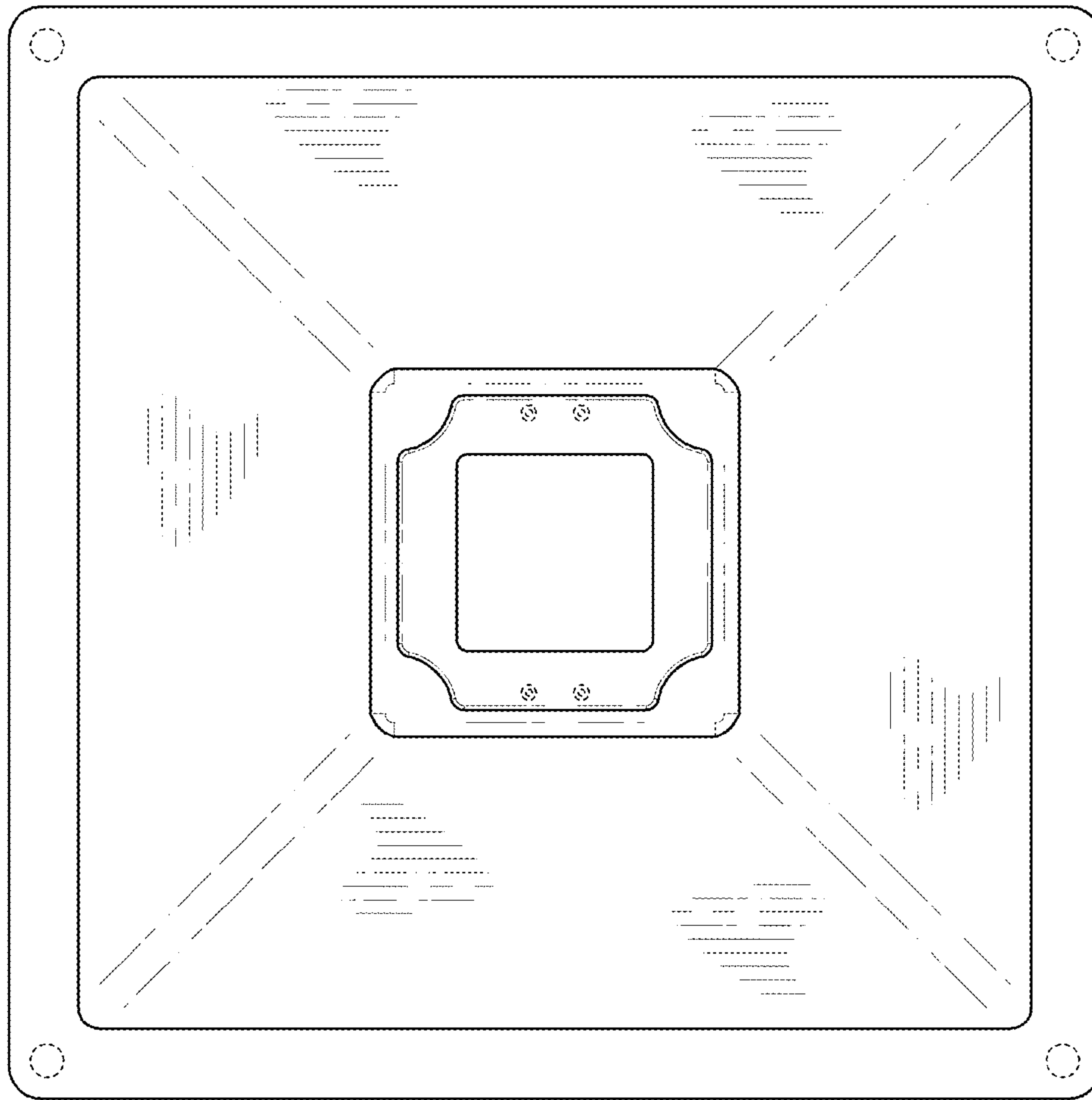


Fig. 3

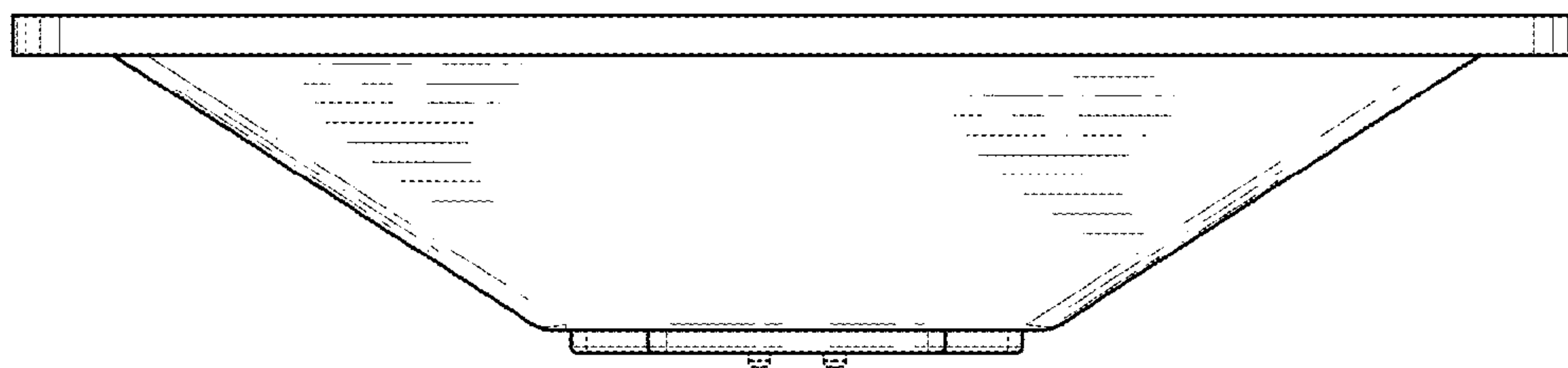


Fig. 4

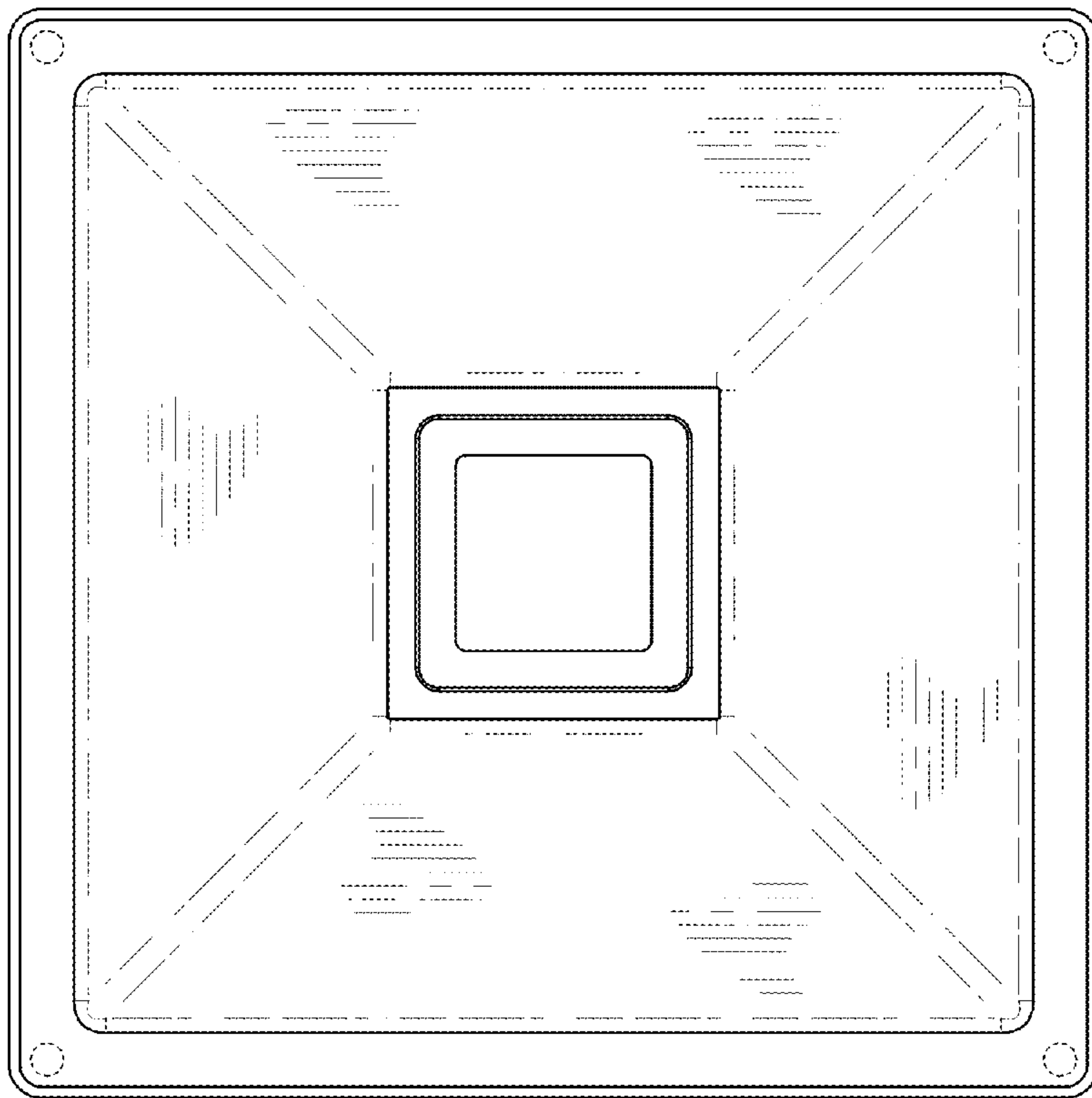


Fig. 5

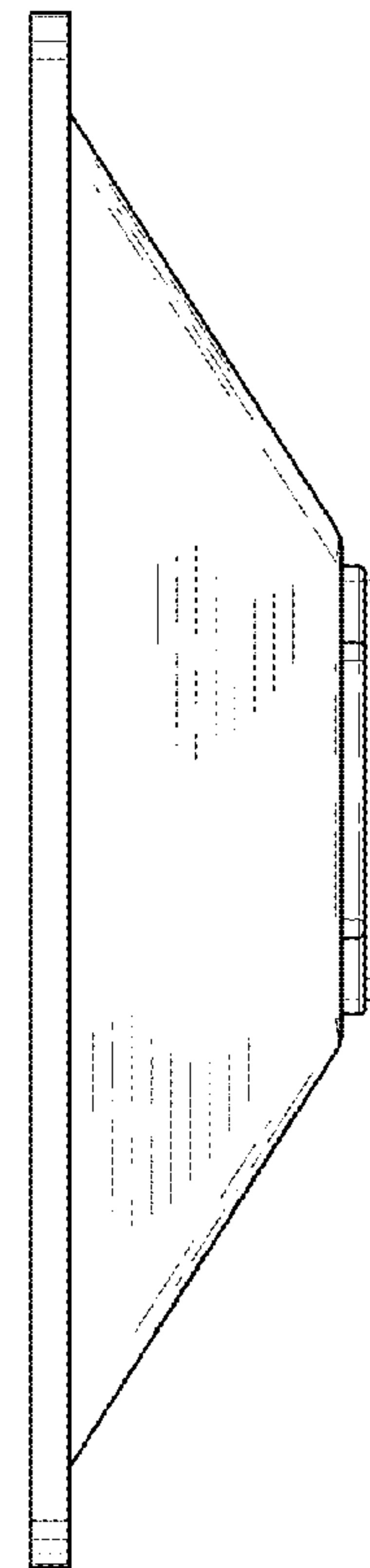


Fig. 6