



US00D690870S

(12) **United States Design Patent**
Ng et al.

(10) **Patent No.:** **US D690,870 S**
(45) **Date of Patent:** **** Oct. 1, 2013**

(54) **LIGHT**

(75) Inventors: **Kenneth Ng**, Alhambra, CA (US);
Edmund Ng, Pasadena, CA (US); **Peter Ng**, Hong Kong (CN)

(73) Assignee: **Koncept Technologies Inc.**, Monrovia, CA (US)

(**) Term: **14 Years**

(21) Appl. No.: **29/430,433**

(22) Filed: **Aug. 24, 2012**

(51) **LOC (9) Cl.** **26-03**

(52) **U.S. Cl.**
USPC **D26/80**

(58) **Field of Classification Search**
USPC D26/72, 75-78, 80, 84, 86, 88, 89,
D26/90; 362/133, 217.01, 218, 219, 221-224,
362/240, 404-408, 101, 477
See application file for complete search history.

(56) **References Cited**

U.S. PATENT DOCUMENTS

D150,923	S	*	9/1948	Boutelle et al.	D26/78
D240,549	S	*	7/1976	Eftekhar	D26/78
3,996,493	A	*	12/1976	Davenport et al.	362/221
D258,009	S	*	1/1981	Wotowiec et al.	D26/75
D280,025	S	*	8/1985	Waters	D26/24
4,943,900	A	*	7/1990	Gartner	362/227
4,956,754	A	*	9/1990	Chen	362/101
5,361,195	A	*	11/1994	Chen	362/101
D381,734	S	*	7/1997	Murphy	D22/134
D425,234	S	*	5/2000	Marier	D26/78

D438,326	S	*	2/2001	Kan	D26/76
D459,516	S	*	6/2002	Demers et al.	D26/75
D465,038	S	*	10/2002	Bragg et al.	D26/27
D526,737	S	*	8/2006	Noh	D26/78
7,258,459	B2	*	8/2007	Wang	362/101
D550,885	S	*	9/2007	Crosby	D26/76
D593,698	S	*	6/2009	Noh	D26/76
D595,444	S	*	6/2009	Shimomura	D26/76
D606,673	S	*	12/2009	Kao	D26/3
D608,928	S	*	1/2010	Noh	D26/76
D638,566	S	*	5/2011	Goelz et al.	D26/75
8,277,098	B2	*	10/2012	Ortwein et al.	362/477
8,303,145	B2	*	11/2012	Wilcox	362/477

* cited by examiner

Primary Examiner — Clare E Heflin

(74) *Attorney, Agent, or Firm* — Foley & Lardner LLP

(57) **CLAIM**

The ornamental design for a light, as shown and described.

DESCRIPTION

FIG. 1 is a perspective view of a light showing our new design;

FIG. 2 is a top view thereof;

FIG. 3 is a bottom view thereof;

FIG. 4 is a left view thereof;

FIG. 5 is a right view thereof

FIG. 6 is a rear view thereof; and,

FIG. 7 is a front view thereof.

Elements of the light have been broken away in some of the figures to indicate that no particular length is claimed. The portions of the light shown in broken lines form no part of the claimed design.

1 Claim, 4 Drawing Sheets

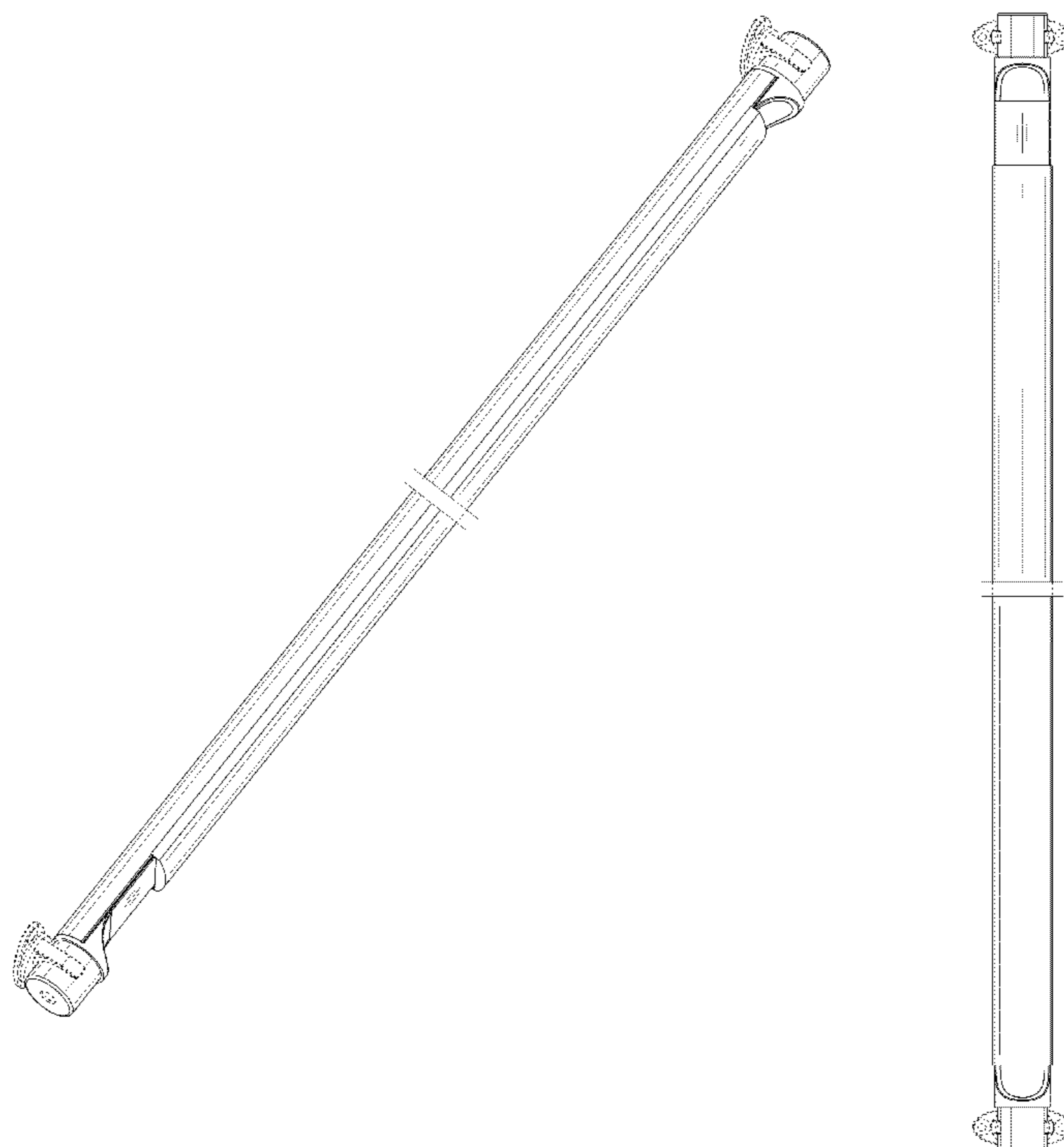




FIG. 1

FIG. 2

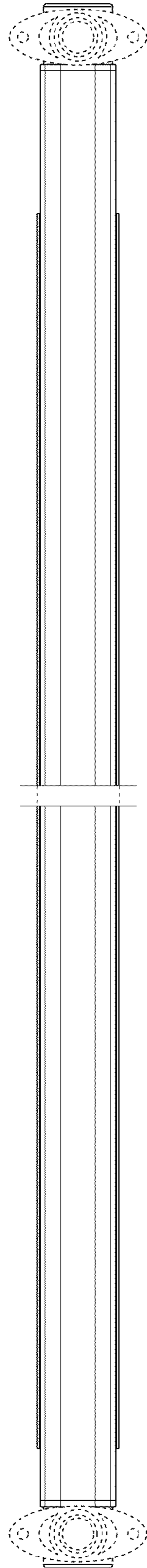
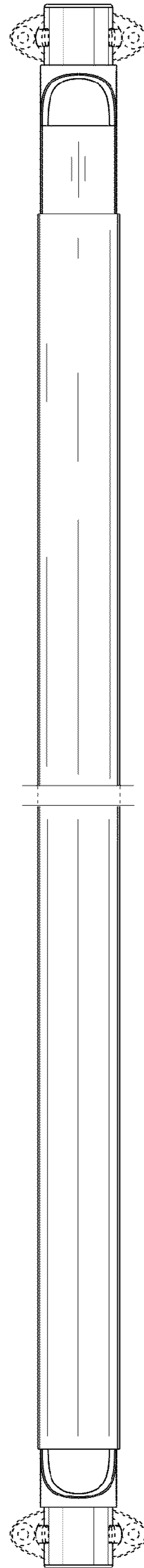


FIG. 3



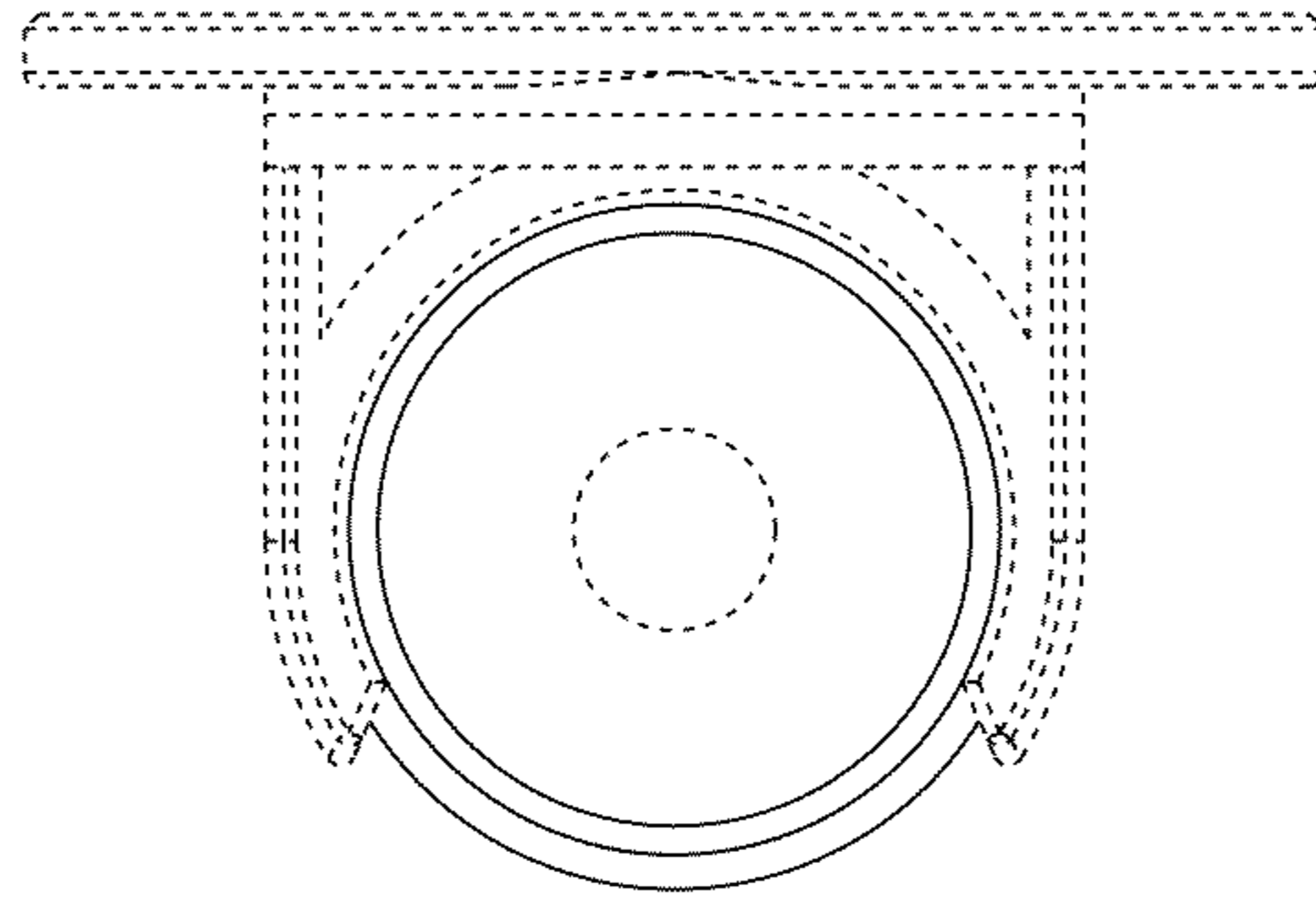


FIG. 4

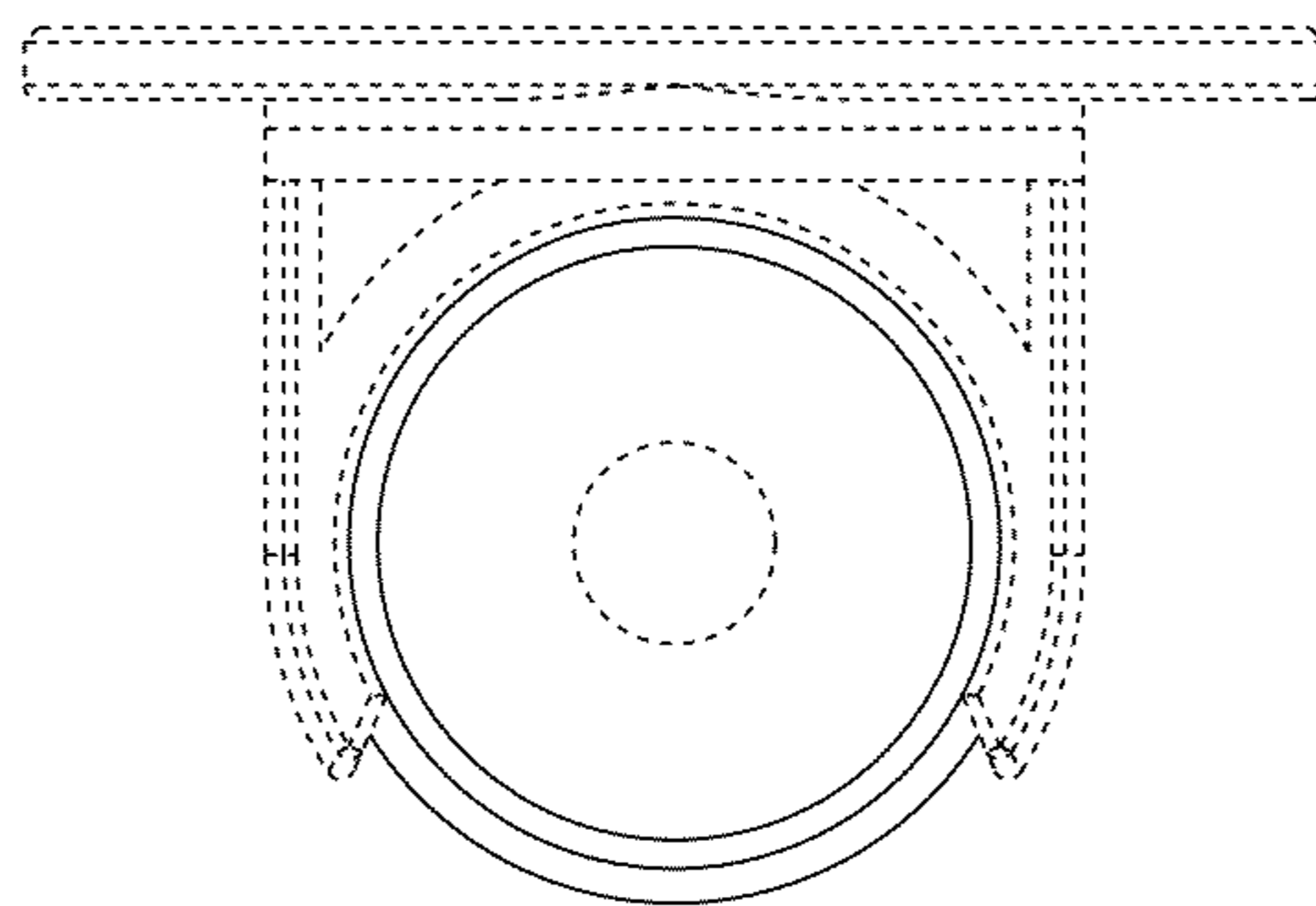


FIG. 5

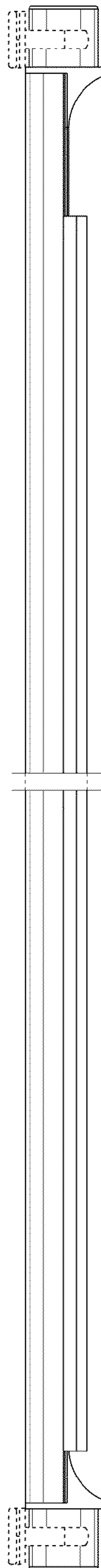


FIG. 6

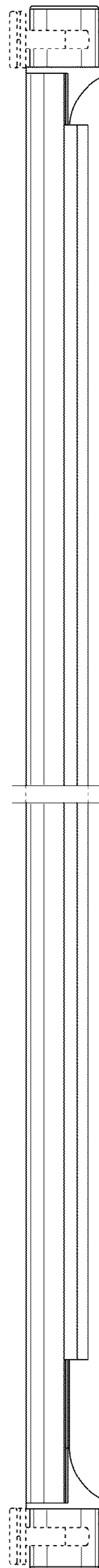


FIG. 7