

US00D690869S

(12) **United States Design Patent**
Katz et al.

(10) **Patent No.:** **US D690,869 S**

(45) **Date of Patent:** **** Oct. 1, 2013**

(54) **LED LIGHT**

(75) Inventors: **Kenneth Katz**, Aventura, FL (US);
Vivian Katz, legal representative,
Aventura, FL (US); **Josef Levy**,
Aventura, FL (US)

(73) Assignee: **Future Energy Solutions**, Hollywood,
FL (US)

(**) Term: **14 Years**

(21) Appl. No.: **29/414,617**

(22) Filed: **Mar. 1, 2012**

(51) **LOC (9) Cl.** **26-05**

(52) **U.S. Cl.**
USPC **D26/74**

(58) **Field of Classification Search**
USPC D26/74, 72, 75, 76, 77, 78, 79, 113,
D26/118, 120, 122, 138, 141; 362/482, 145,
362/147, 148, 150, 151, 152, 153, 153.1,
362/218, 217.02, 217.03, 217.05, 217.07,
362/217.08, 217.09, 217.1, 217.11, 217.14,
362/217.15, 342, 346, 347, 364, 365, 366,
362/800, 260, 279, 280, 290, 291, 292, 294,
362/296.01, 297, 298, 299, 300, 301, 310,
362/296.07, 311.02, 311.01, 311.09

See application file for complete search history.

(56) **References Cited**

U.S. PATENT DOCUMENTS

D195,012	S	*	4/1963	Hoyle	D23/388
D320,283	S	*	9/1991	Burkath	D26/121
D379,546	S	*	5/1997	Littman	D26/74
D480,499	S	*	10/2003	Watt	D26/121
D481,483	S	*	10/2003	Waugh et al.	D26/76
D481,820	S	*	11/2003	Watt	D26/77
D486,262	S	*	2/2004	Chen	D26/77
D561,384	S	*	2/2008	Hukle et al.	D26/120
D597,248	S	*	7/2009	Lee et al.	D26/122
D646,012	S	*	9/2011	Irvine	D26/74
D661,422	S	*	6/2012	Ferguson et al.	D26/120
D663,468	S	*	7/2012	Apetauer et al.	D26/74
2008/0019126	A1	*	1/2008	Straton et al.	362/218

* cited by examiner

Primary Examiner — Angela J Lee

(74) *Attorney, Agent, or Firm* — Laurence A. Greenberg;
Werner H. Stemer; Ralph E. Locher

(57) **CLAIM**

The ornamental design for an LED light, as shown and described.

DESCRIPTION

FIG. 1 is a top perspective view of an LED light having a LED strip produced light pattern; and, FIG. 2 is a top plan view thereof. In the drawings, the broken lines show detail that form no part of the claim.

1 Claim, 2 Drawing Sheets

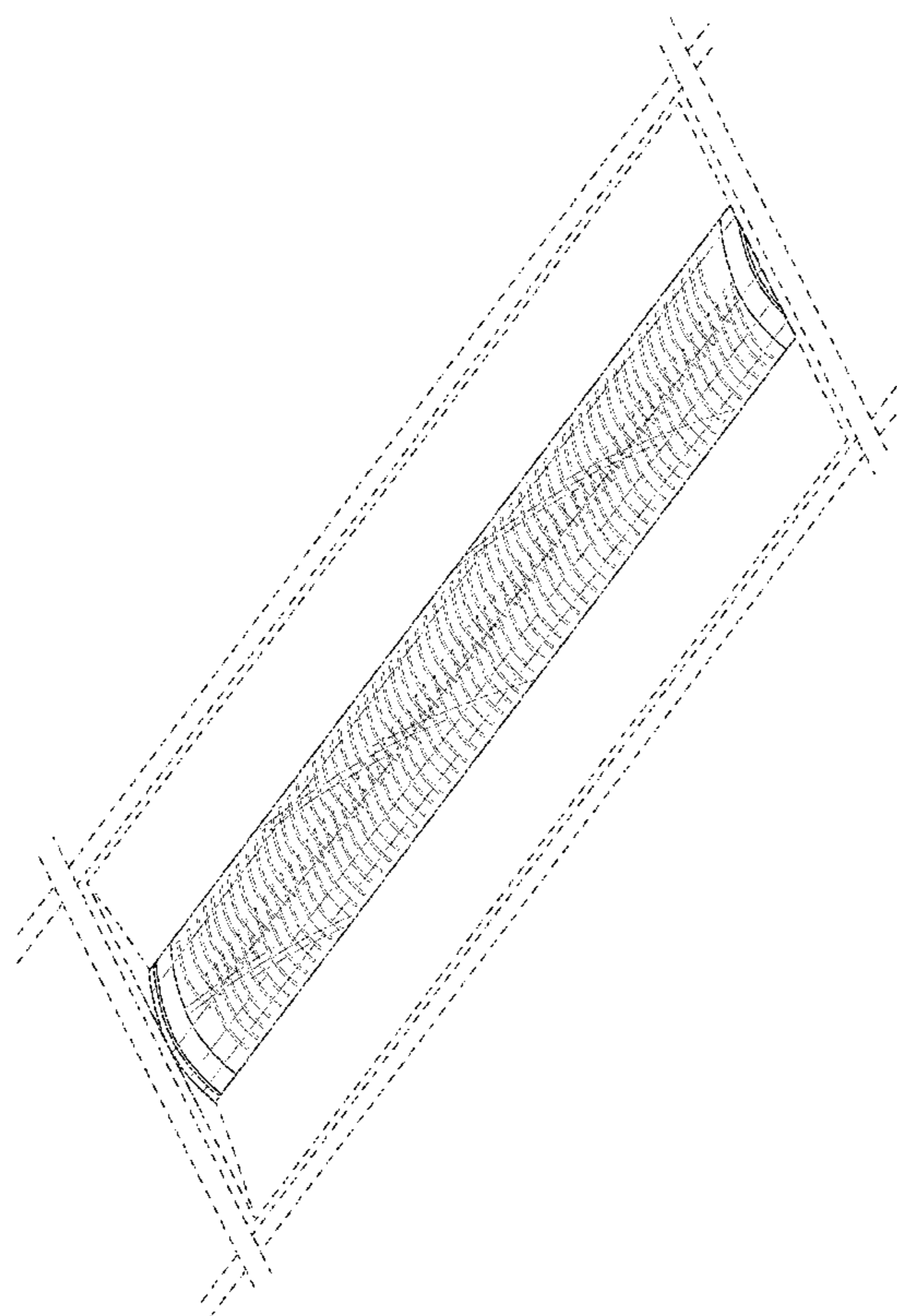


FIG. 1

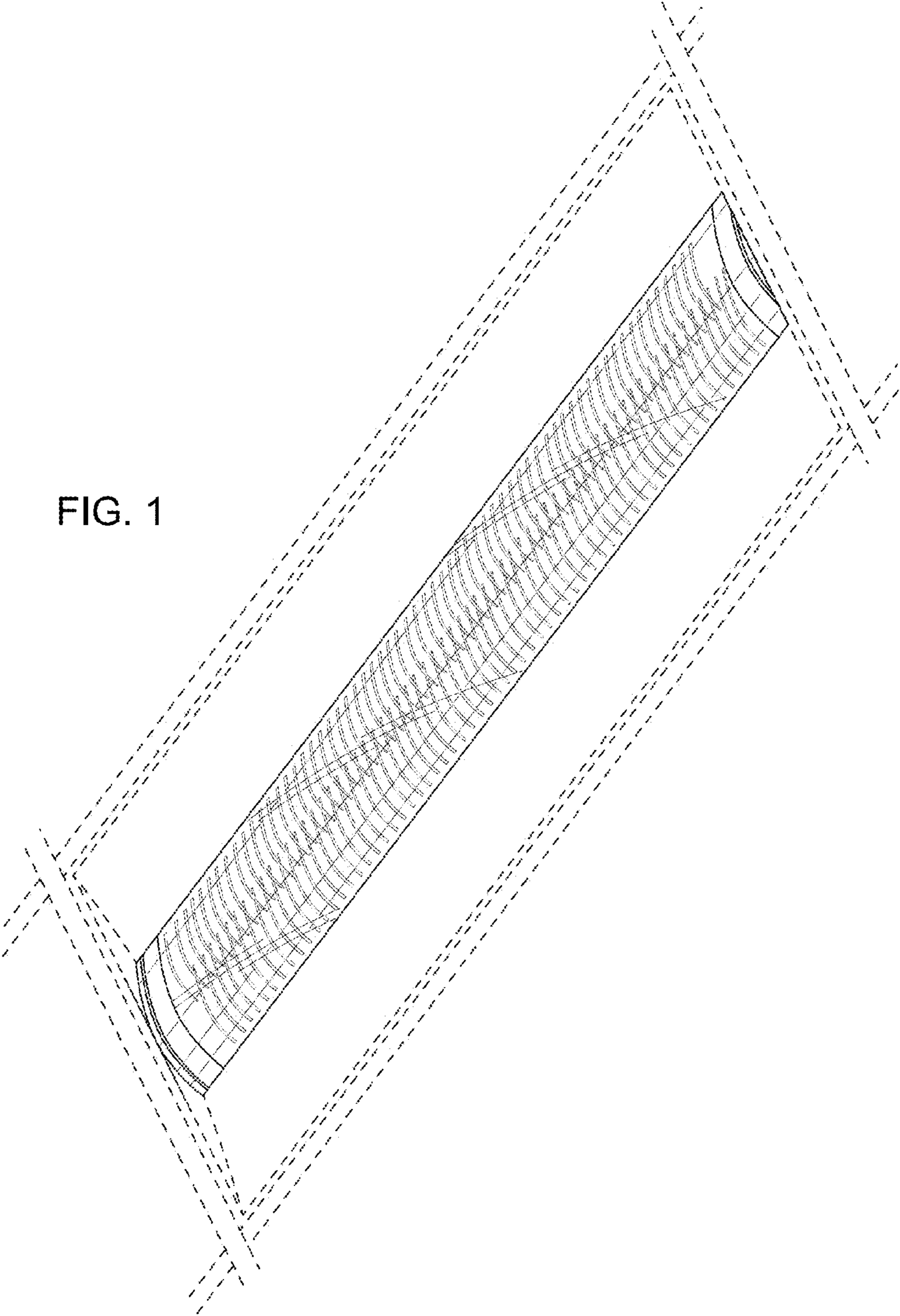


FIG. 2

