



US00D690866S

(12) **United States Design Patent**  
**Rashidi**

(10) **Patent No.:** **US D690,866 S**

(45) **Date of Patent:** **\*\* \*Oct. 1, 2013**

(54) **LED RETROFIT RECESSED LIGHT WITHOUT LENS**

(76) Inventor: **Hamid Rashidi**, Commerce, CA (US)

(\* ) Notice: This patent is subject to a terminal disclaimer.

(\*\*) Term: **14 Years**

(21) Appl. No.: **29/374,849**

(22) Filed: **Oct. 13, 2011**

(51) **LOC (9) Cl.** ..... **26-05**

(52) **U.S. Cl.**  
USPC ..... **D26/74**

(58) **Field of Classification Search**

USPC ..... D26/24, 72, 80, 81, 83, 85, 88, 89,  
D26/91, 113, 118, 123, 124, 138, 74, 76;  
362/145, 146, 147, 148, 150, 153, 294, 296.01,  
362/296.07, 296.08, 311.07, 311.09, 311.1,  
362/345, 364, 365, 366, 373

See application file for complete search history.

(56) **References Cited**

U.S. PATENT DOCUMENTS

D573,294 S *	7/2008	Chan et al.	D26/74
D595,452 S *	6/2009	Khang et al.	D26/138
D610,290 S *	2/2010	Yoshinobu et al.	D26/74
7,722,227 B2 *	5/2010	Zhang et al.	362/364
D624,691 S *	9/2010	Zhang et al.	D26/138
D640,820 S *	6/2011	Hopper	D26/74
D656,262 S *	3/2012	Yoshinobu et al.	D26/74
D656,263 S *	3/2012	Ogawa et al.	D26/74
D658,802 S *	5/2012	Chen	D26/74
D659,878 S *	5/2012	Rashidi	D26/74
D663,466 S *	7/2012	Rashidi	D26/74
D667,155 S *	9/2012	Rashidi	D26/74
2011/0222291 A1 *	9/2011	Peng	362/294

\* cited by examiner

Primary Examiner — Angela J Lee

(74) *Attorney, Agent, or Firm* — Thomas I. Rozsa

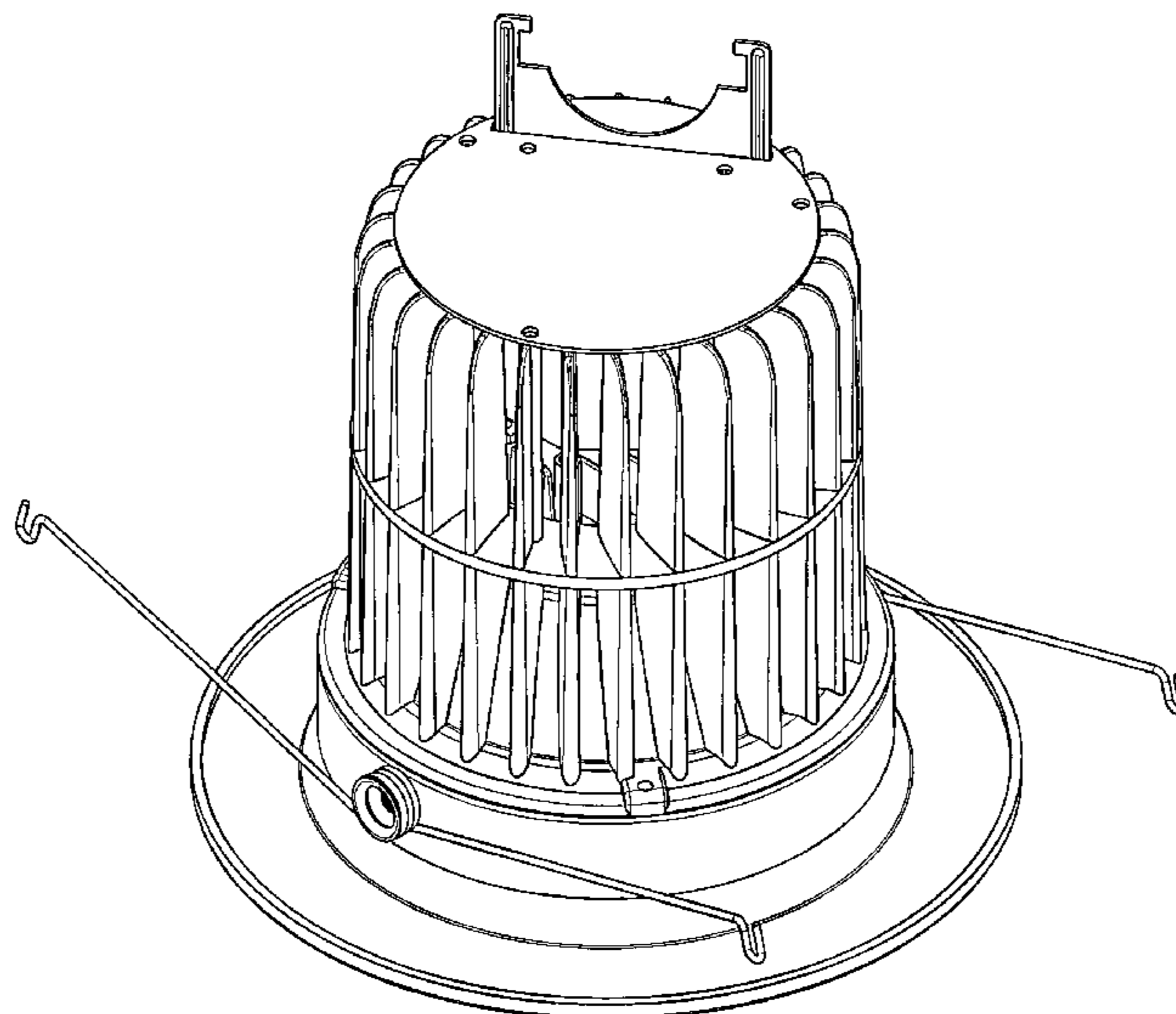
(57) **CLAIM**

The ornamental design for an LED retrofit recessed light without lens, as shown and described.

**DESCRIPTION**

FIG. 1 is a perspective view of a first embodiment of the LED retrofit recessed light without lens, showing my new design; FIG. 2 is a front elevational view thereof; FIG. 3 is a rear elevational view thereof; FIG. 4 is a left side elevational view thereof; FIG. 5 is a right side elevational view thereof; FIG. 6 is a top plan view thereof; FIG. 7 is a bottom plan view thereof; FIG. 8 is a top plan view of the LED retrofit recessed light without lens with section lines A-A and B-B; FIG. 9 is a side sectional view taken along Line A-A of FIG. 8 for the embodiment represented in FIG. 7; FIG. 10 is a side sectional view taken along Line B-B of FIG. 8 for the embodiment represented in FIG. 7; FIG. 11 is a perspective view of a second embodiment of the LED retrofit recessed light without lens, showing my new design; FIG. 12 is a front elevational view thereof; FIG. 13 is a rear elevational view thereof; FIG. 14 is a left side elevational view thereof; FIG. 15 is a right side elevational view thereof; FIG. 16 is a top plan view thereof; FIG. 17 is a bottom plan view thereof; and, FIG. 18 is a top plan view of the LED retrofit recessed light without lens with section lines A-A and B-B for the embodiment represented in FIG. 17; FIG. 19 is a side sectional view taken along Line A-A of FIG. 18 for the embodiment represented in FIG. 17; and, FIG. 20 is a side sectional view taken along Line B-B of FIG. 18 for the embodiment represented in FIG. 17.

**1 Claim, 20 Drawing Sheets**



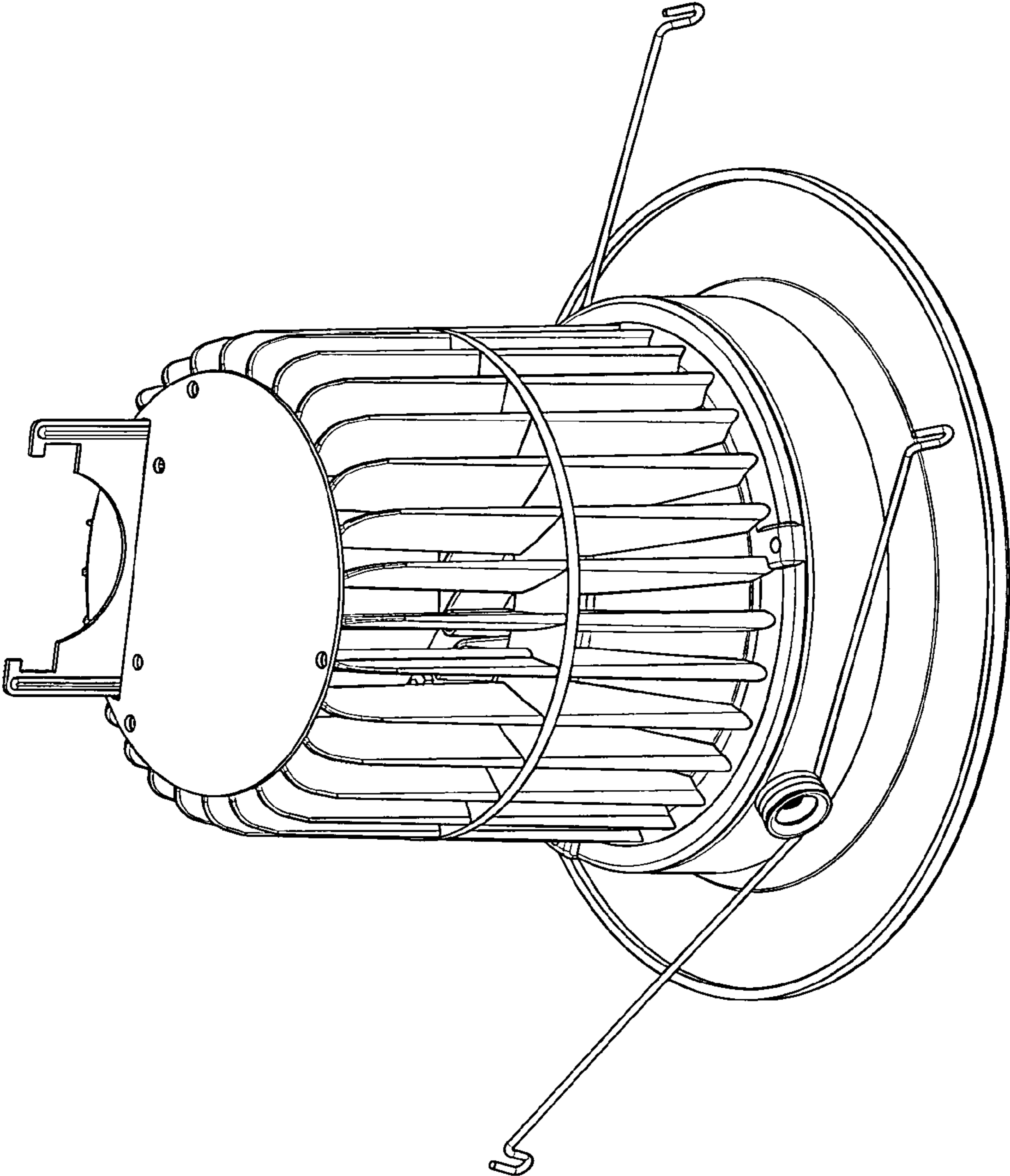


FIG.1

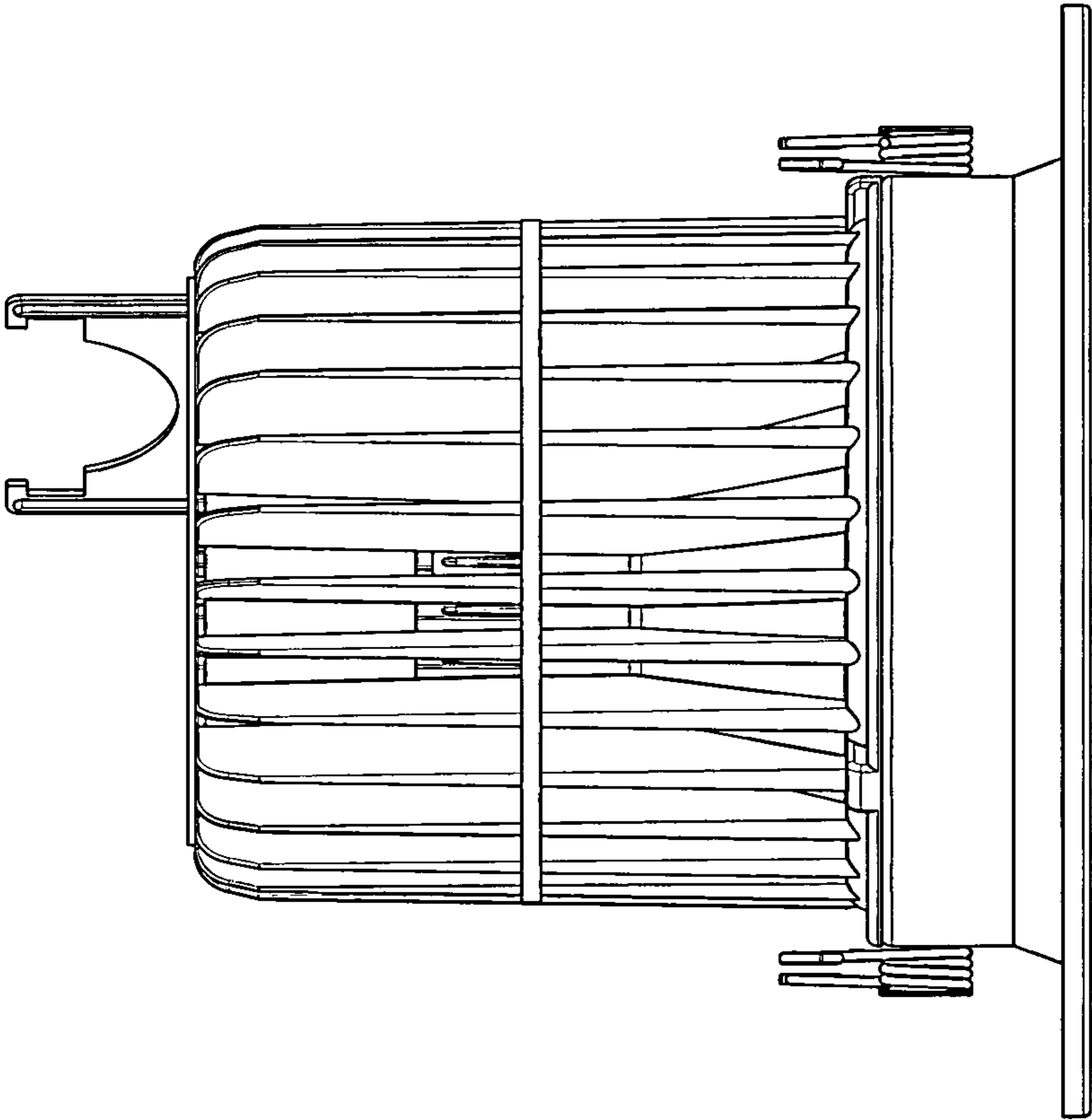


FIG.2

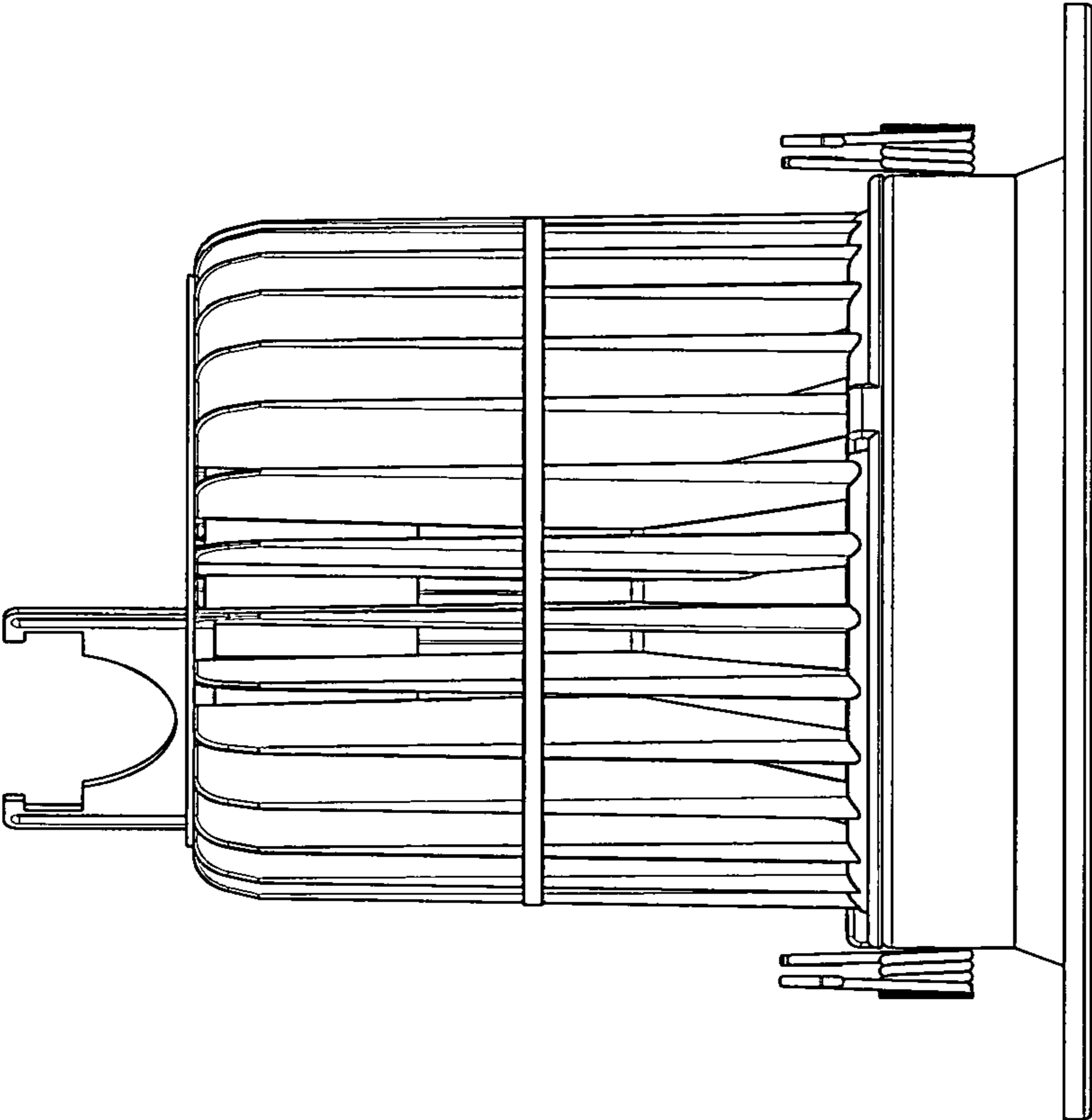


FIG. 3

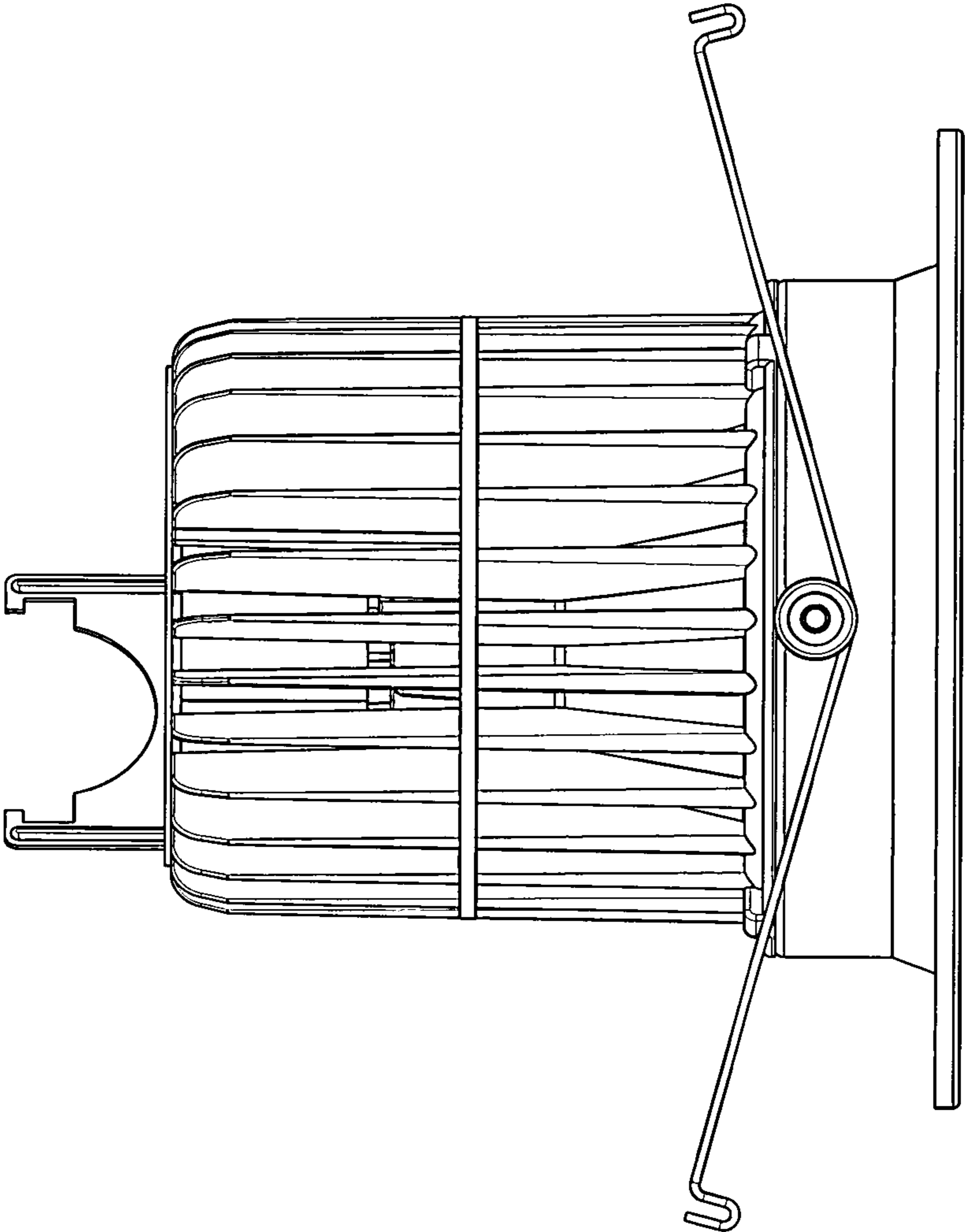


FIG.4

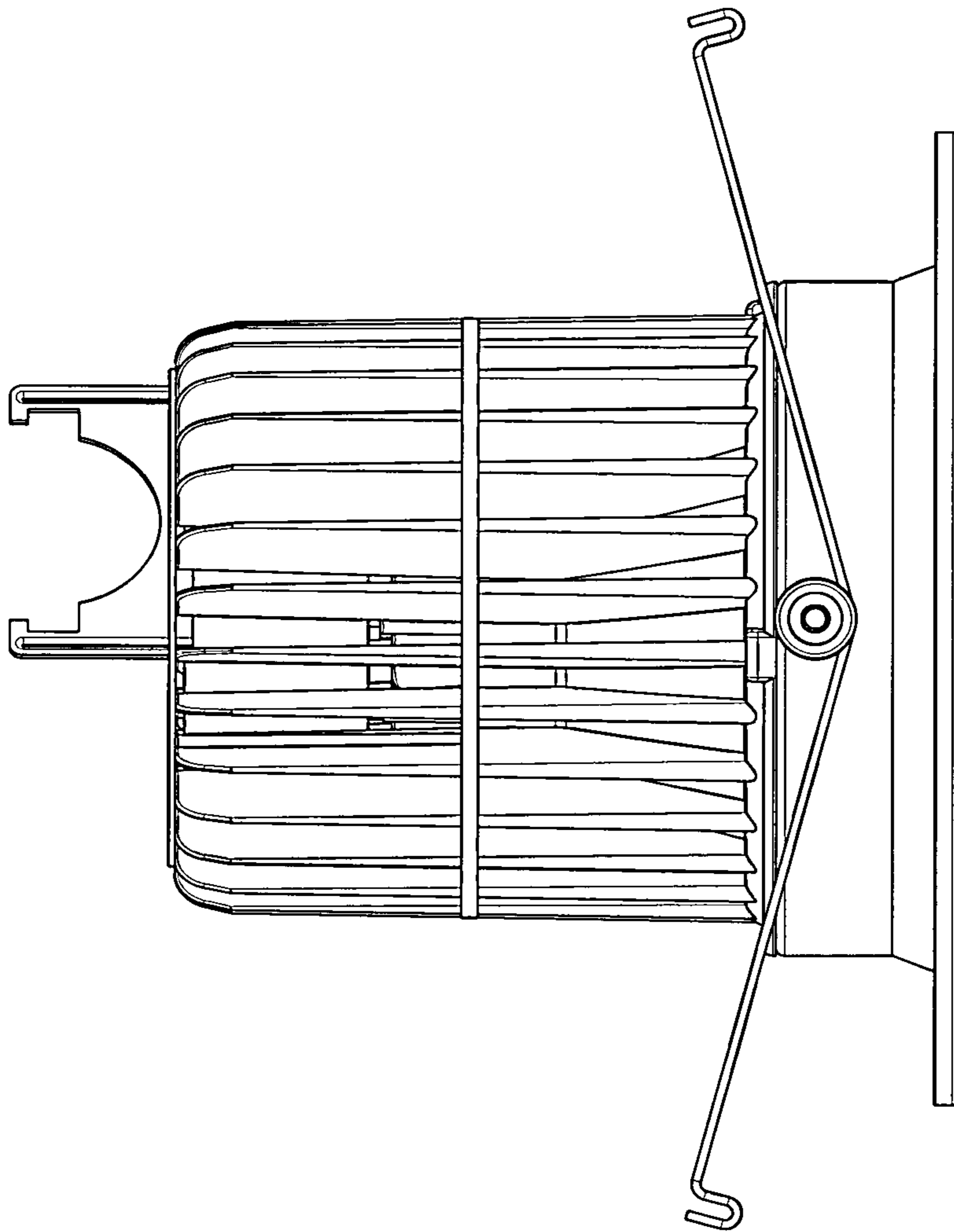


FIG.5

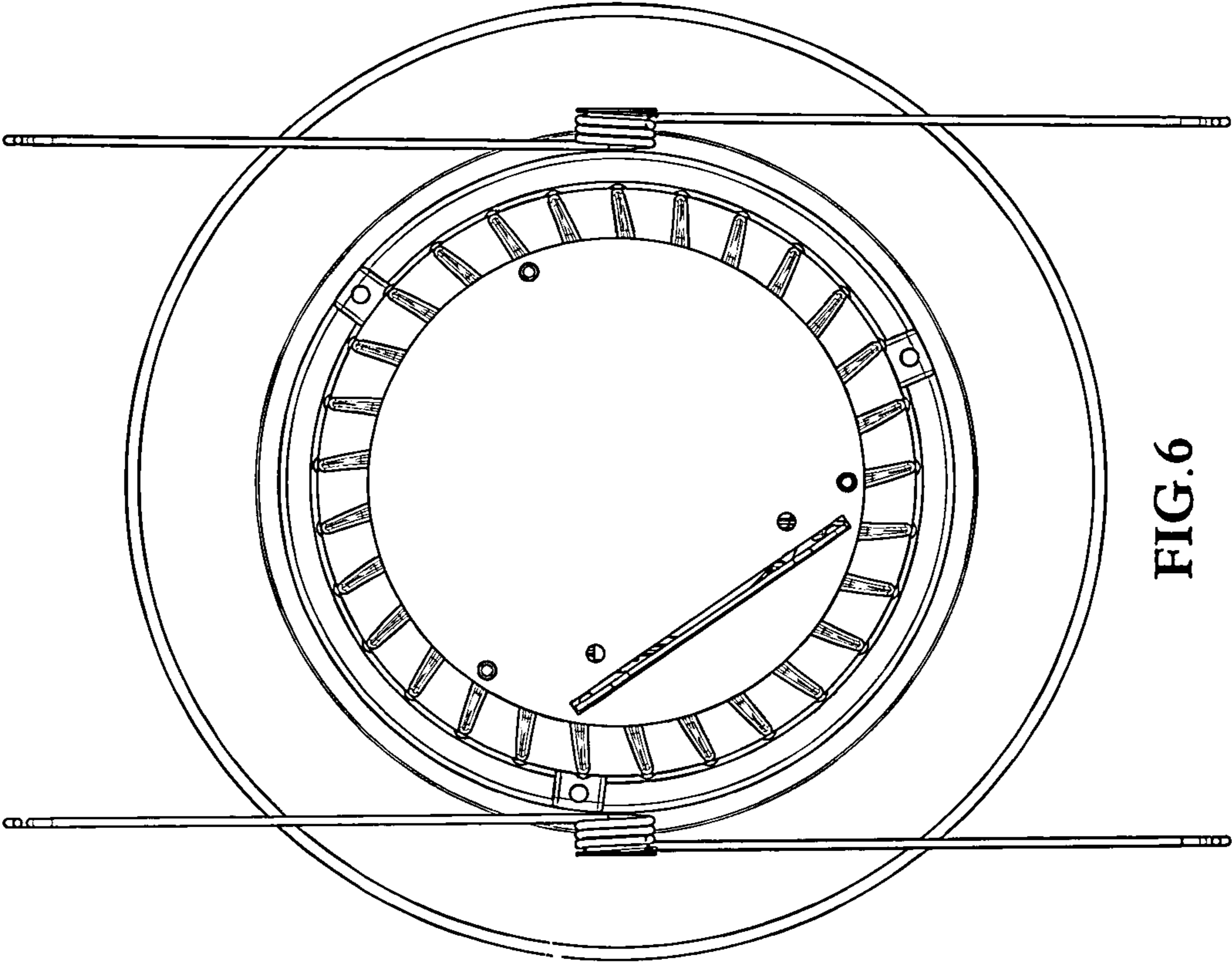


FIG.6

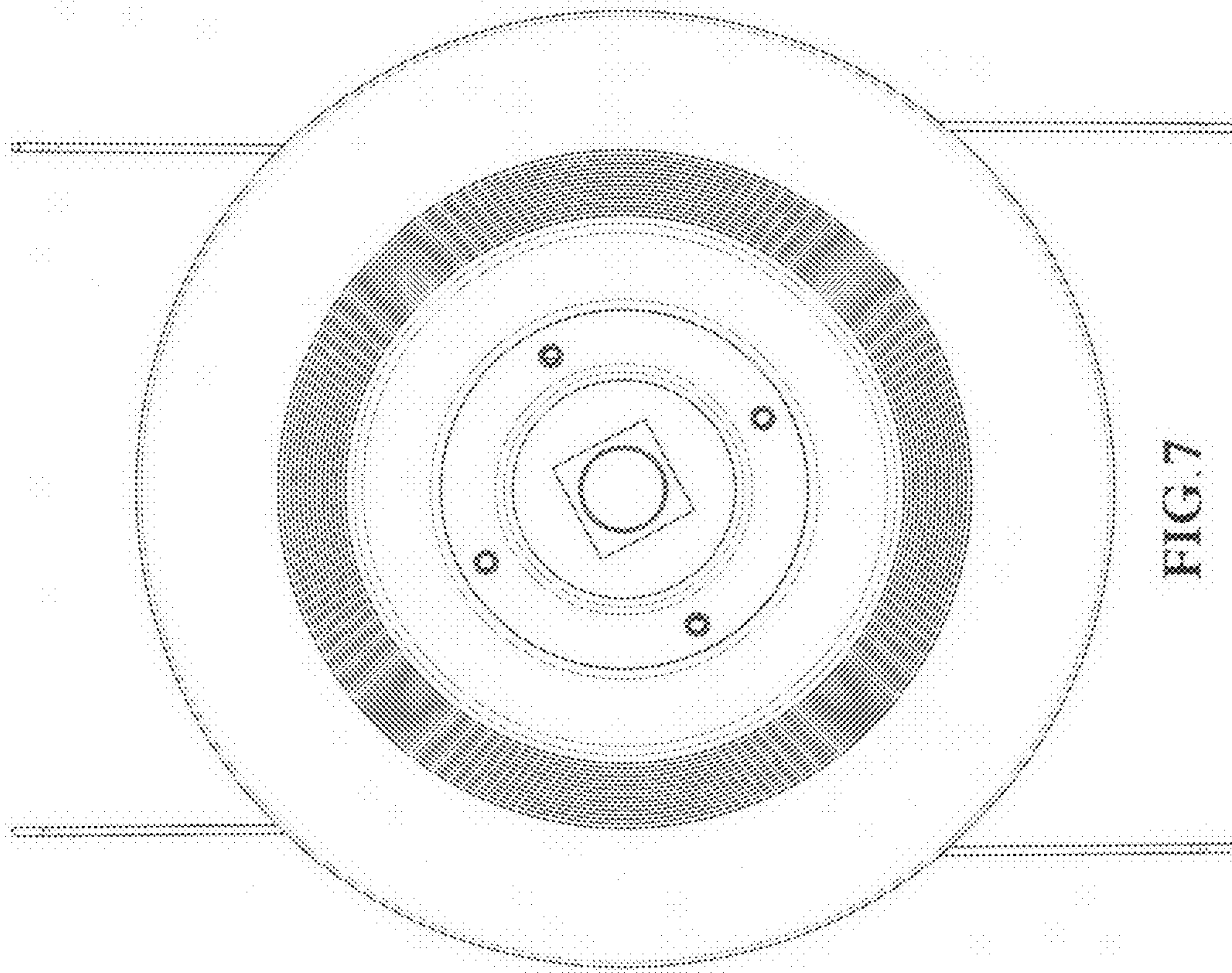
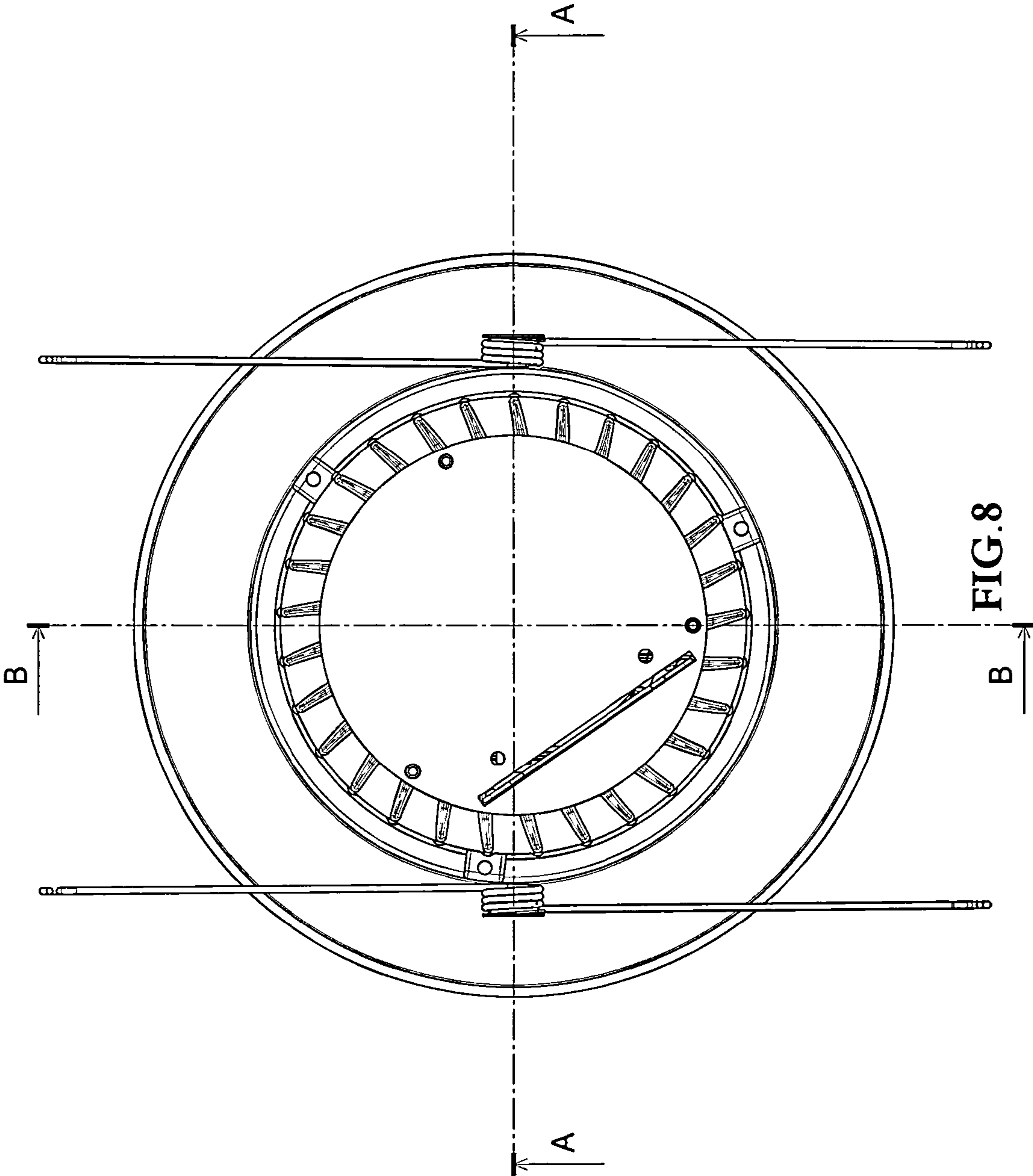


FIG. 7





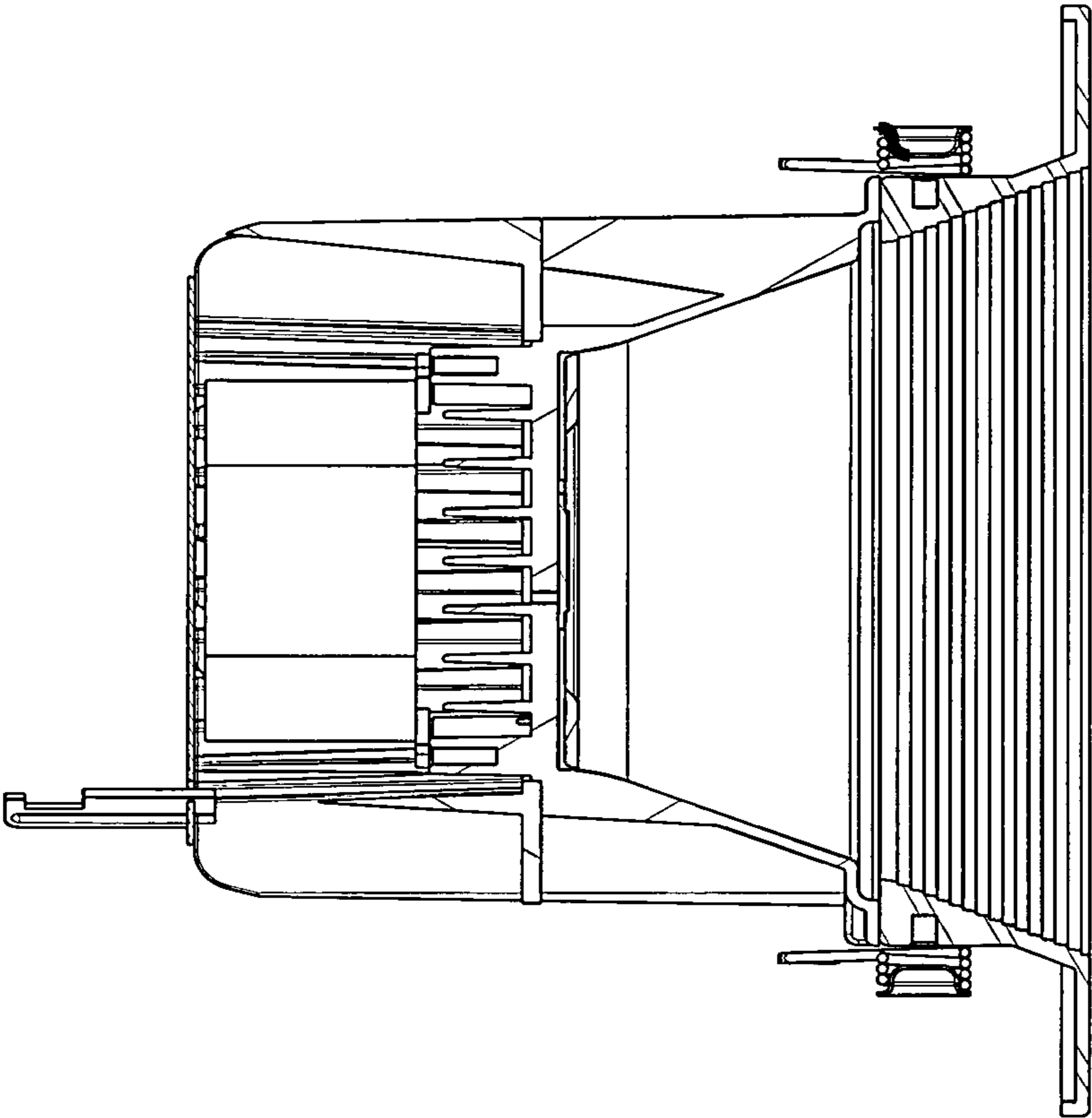


FIG. 9

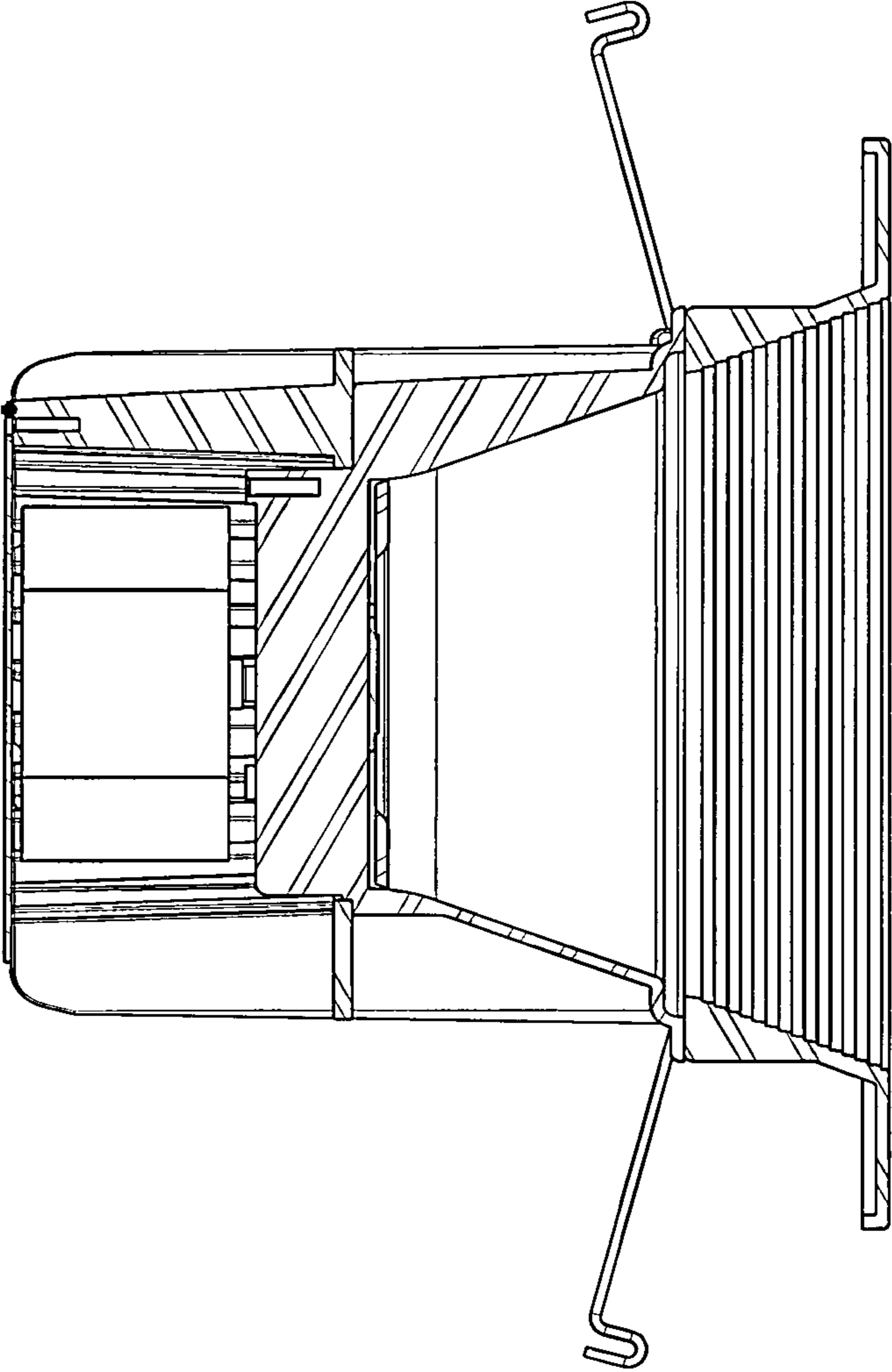


FIG.10

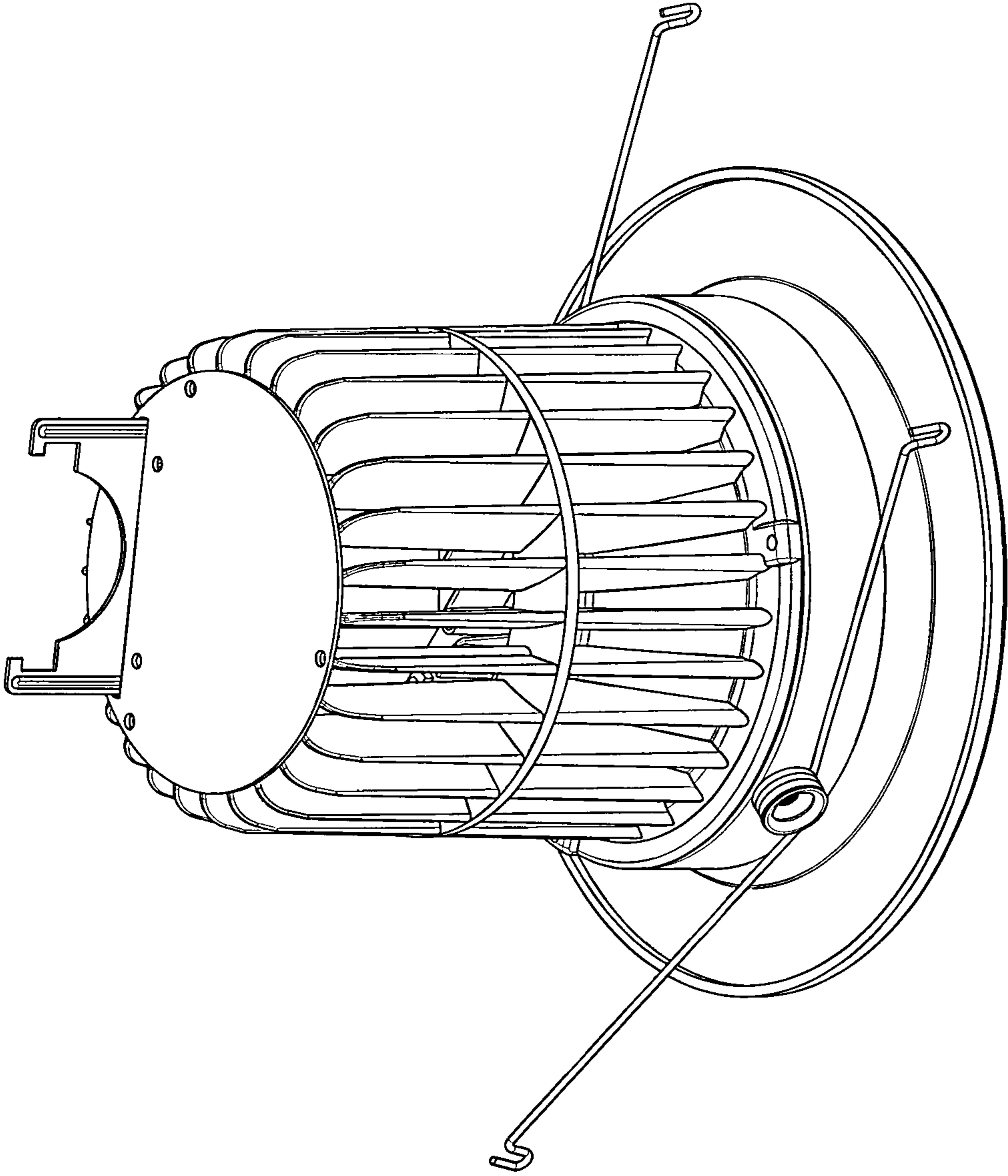


FIG.11

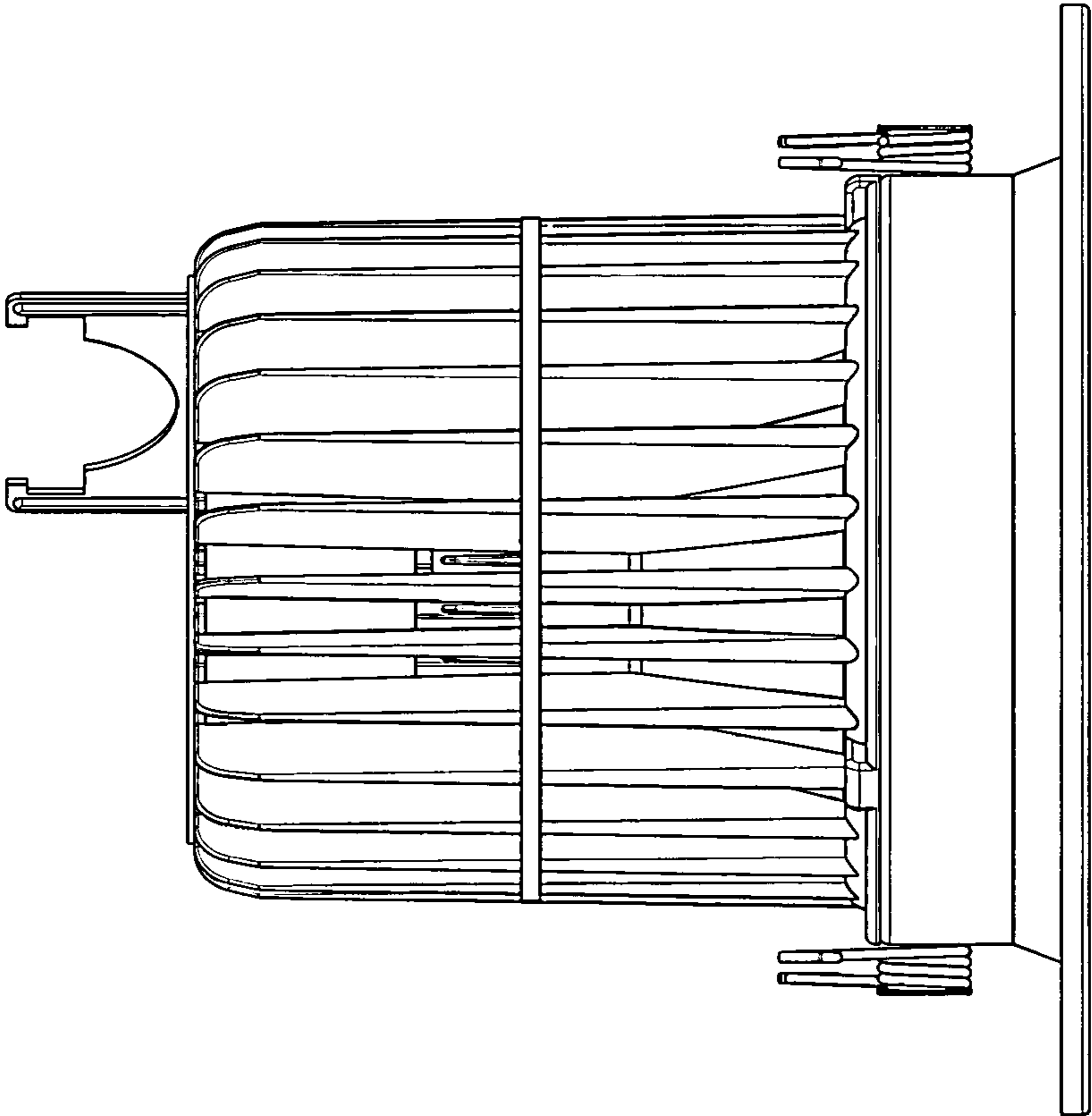


FIG.12

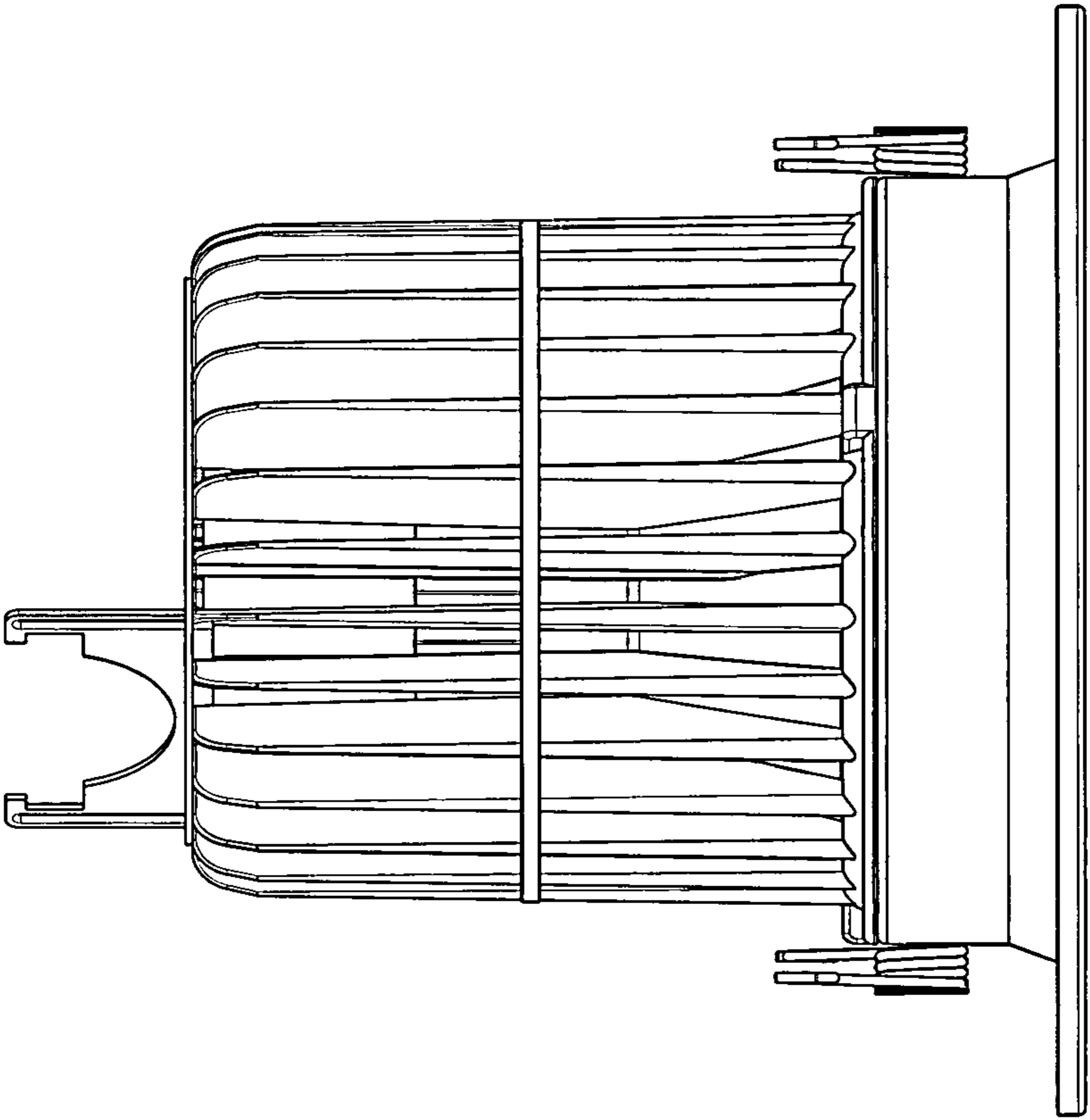


FIG.13

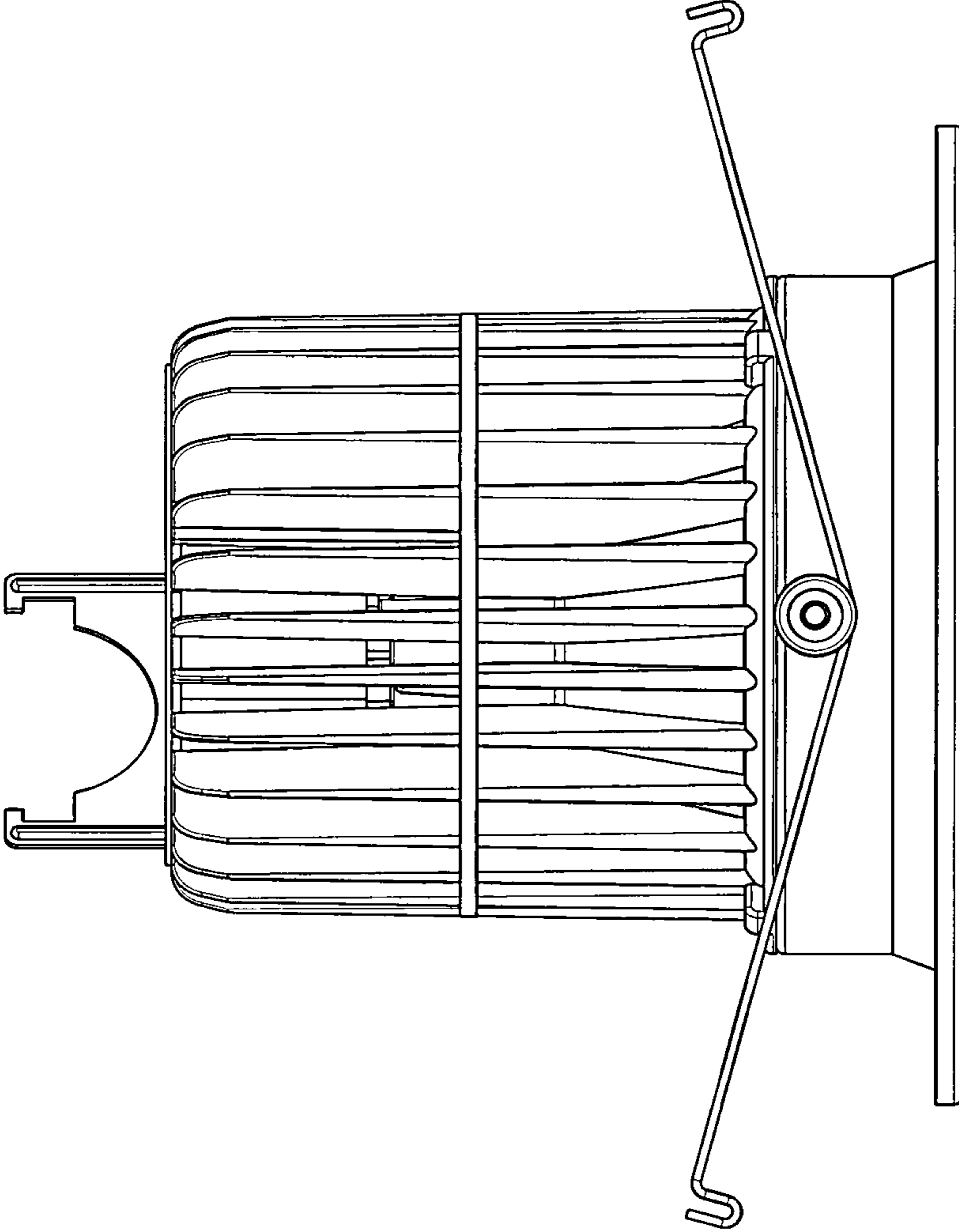


FIG.14

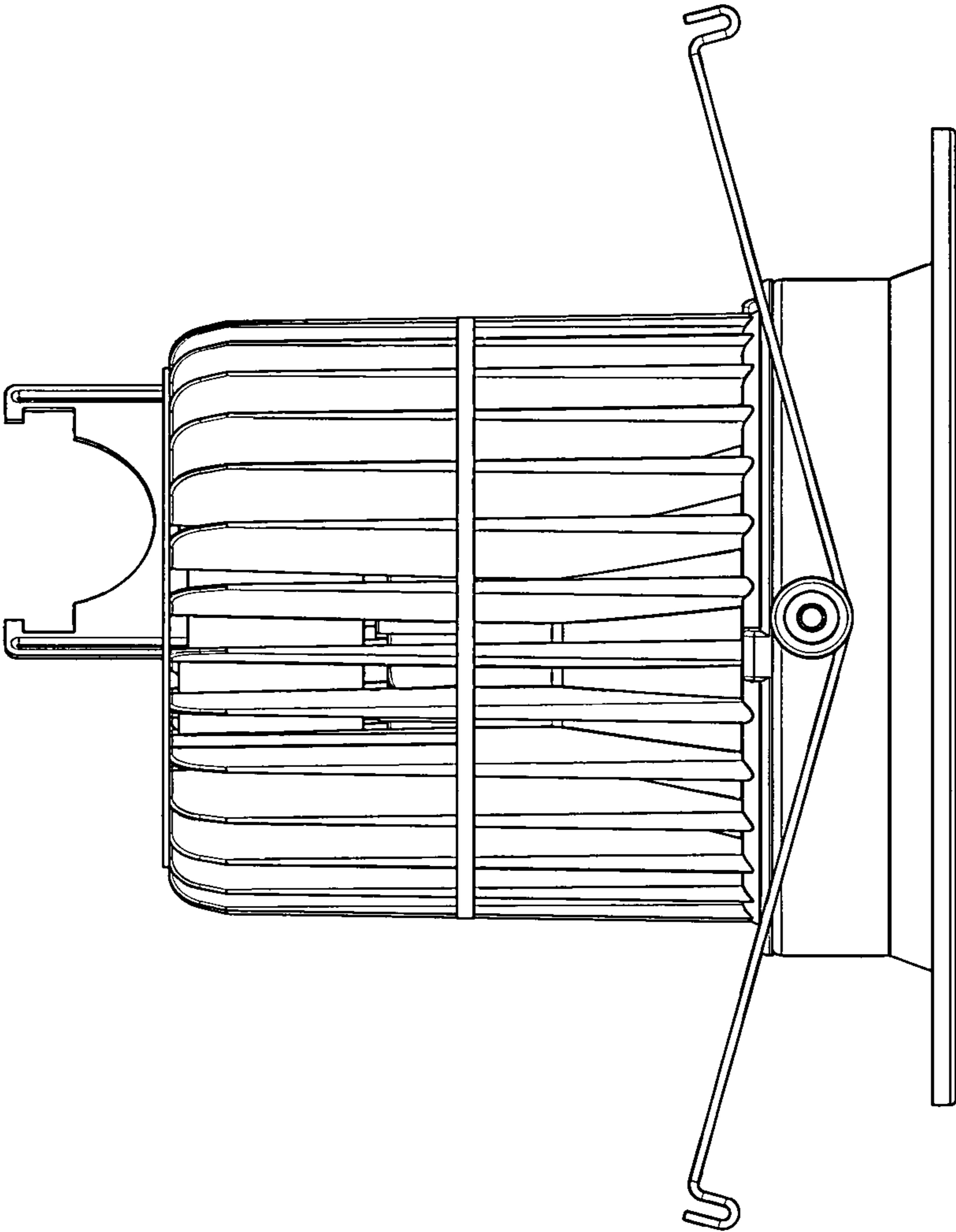


FIG.15



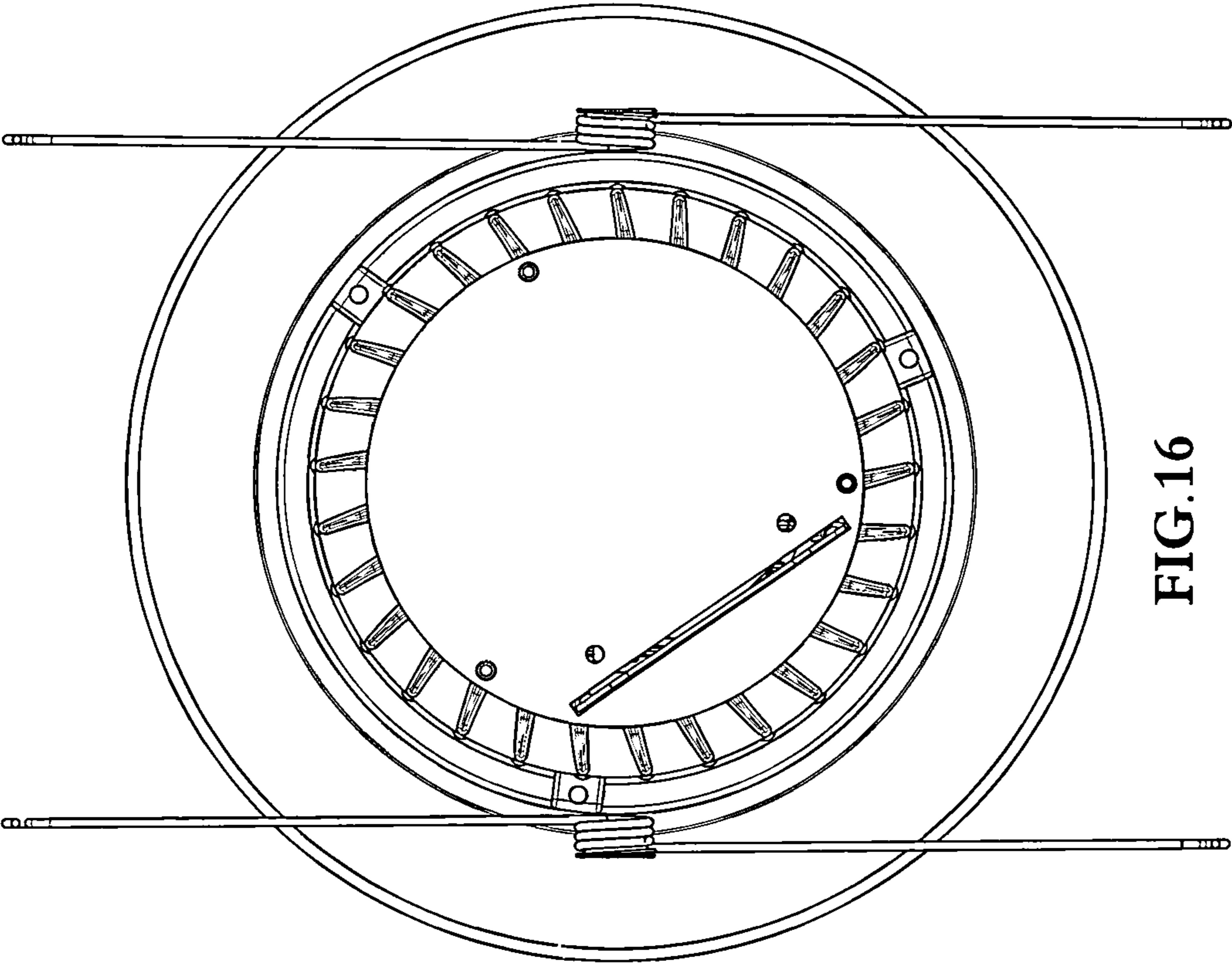


FIG.16

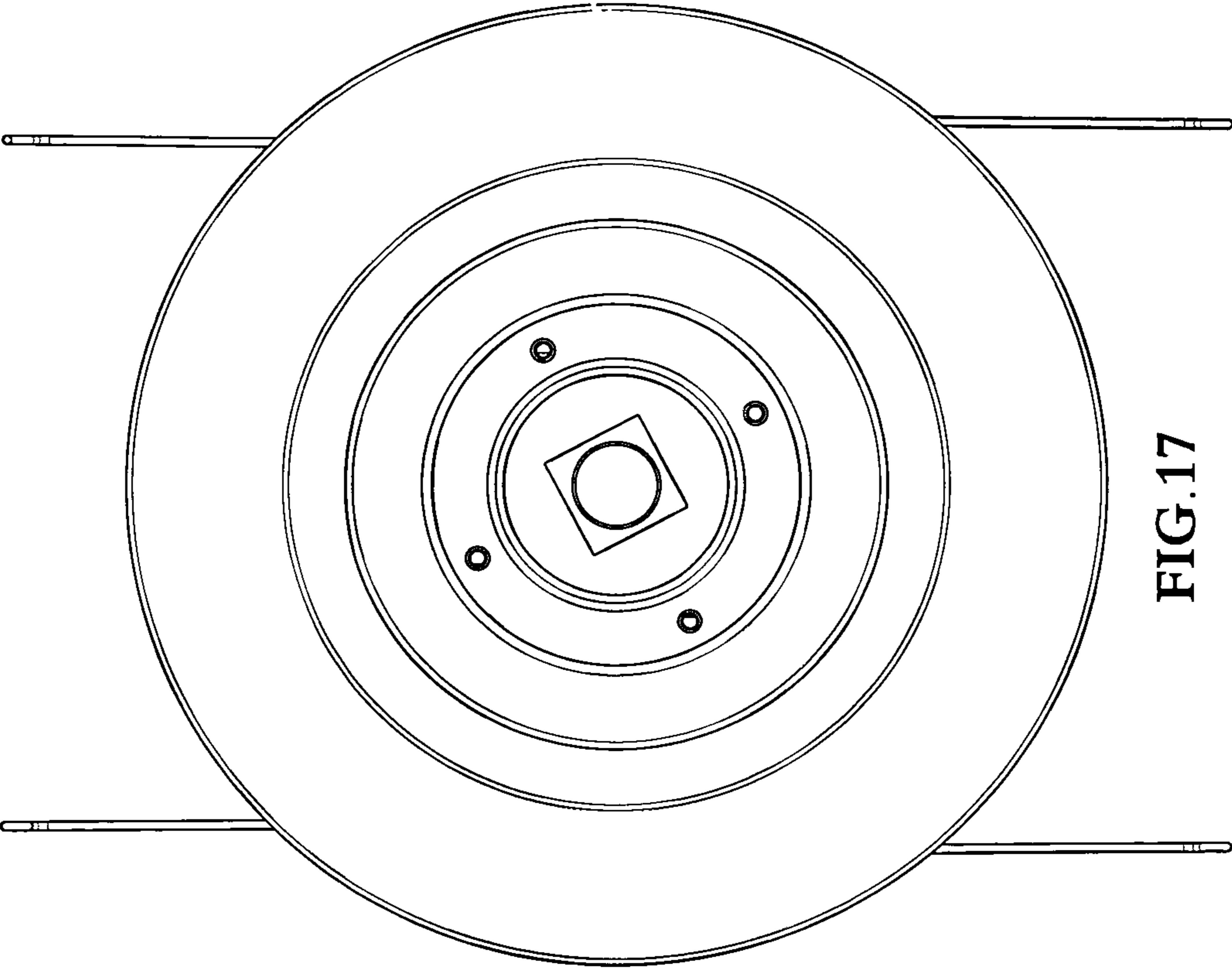


FIG.17

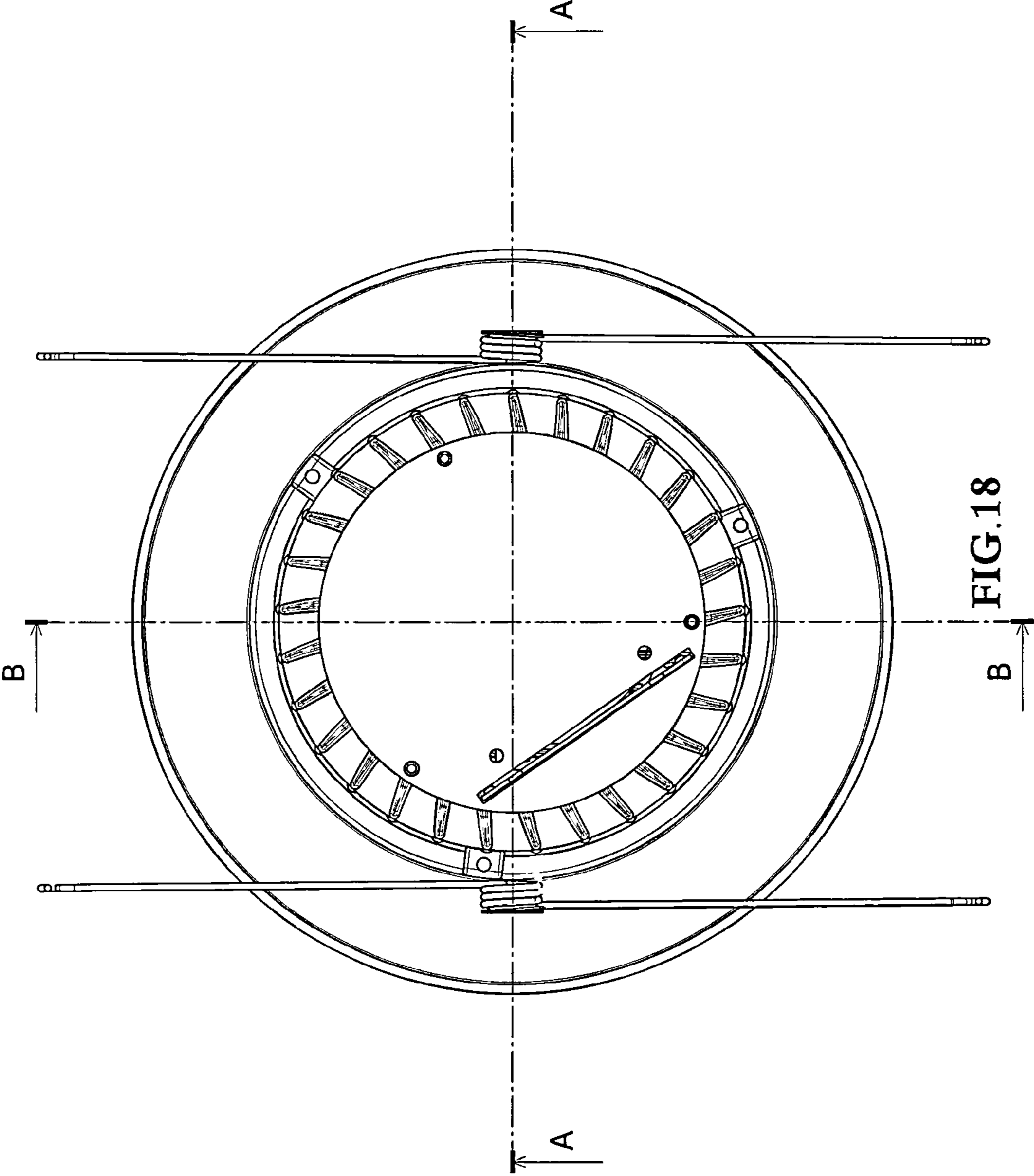


FIG. 18

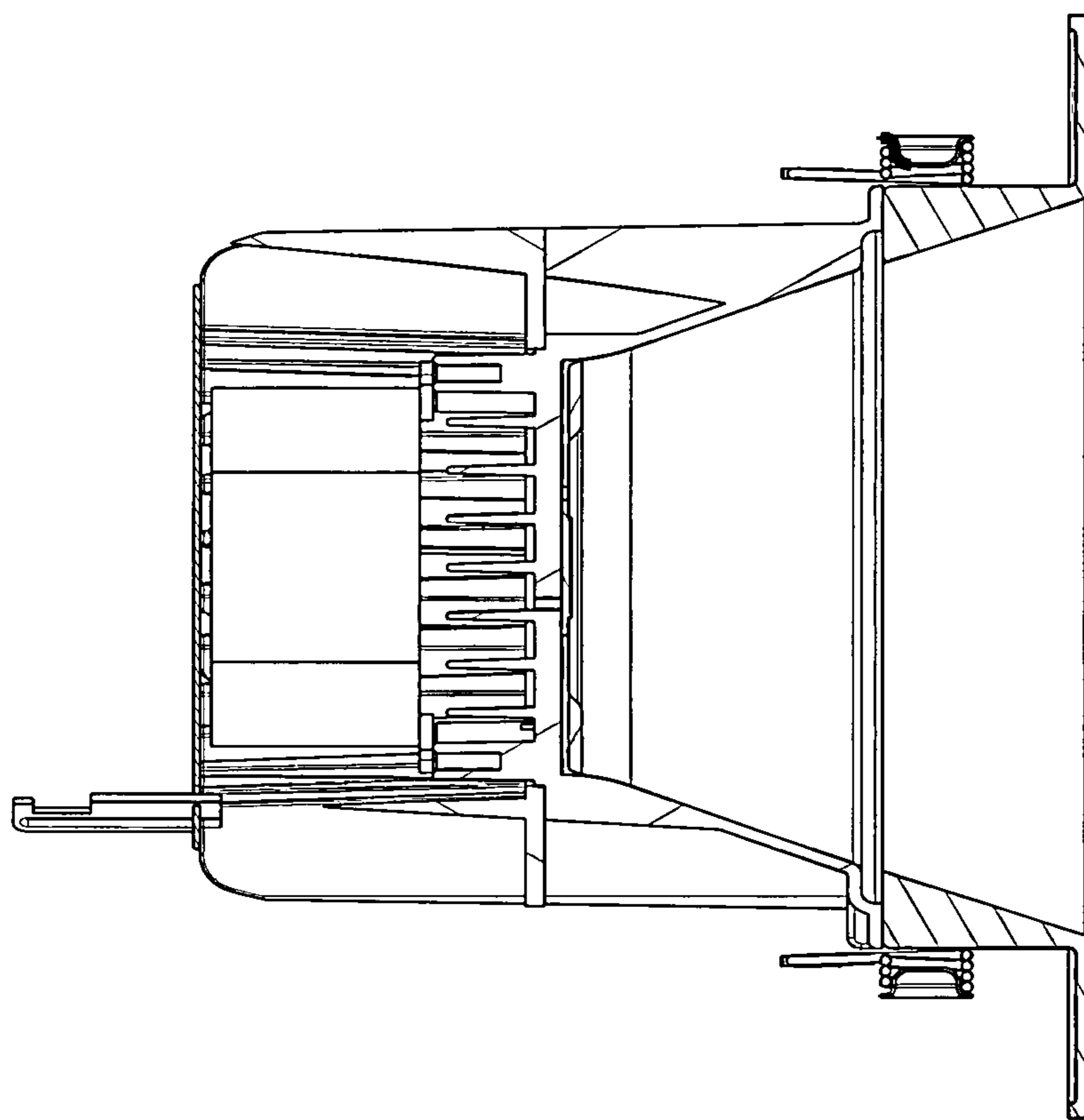


FIG.19

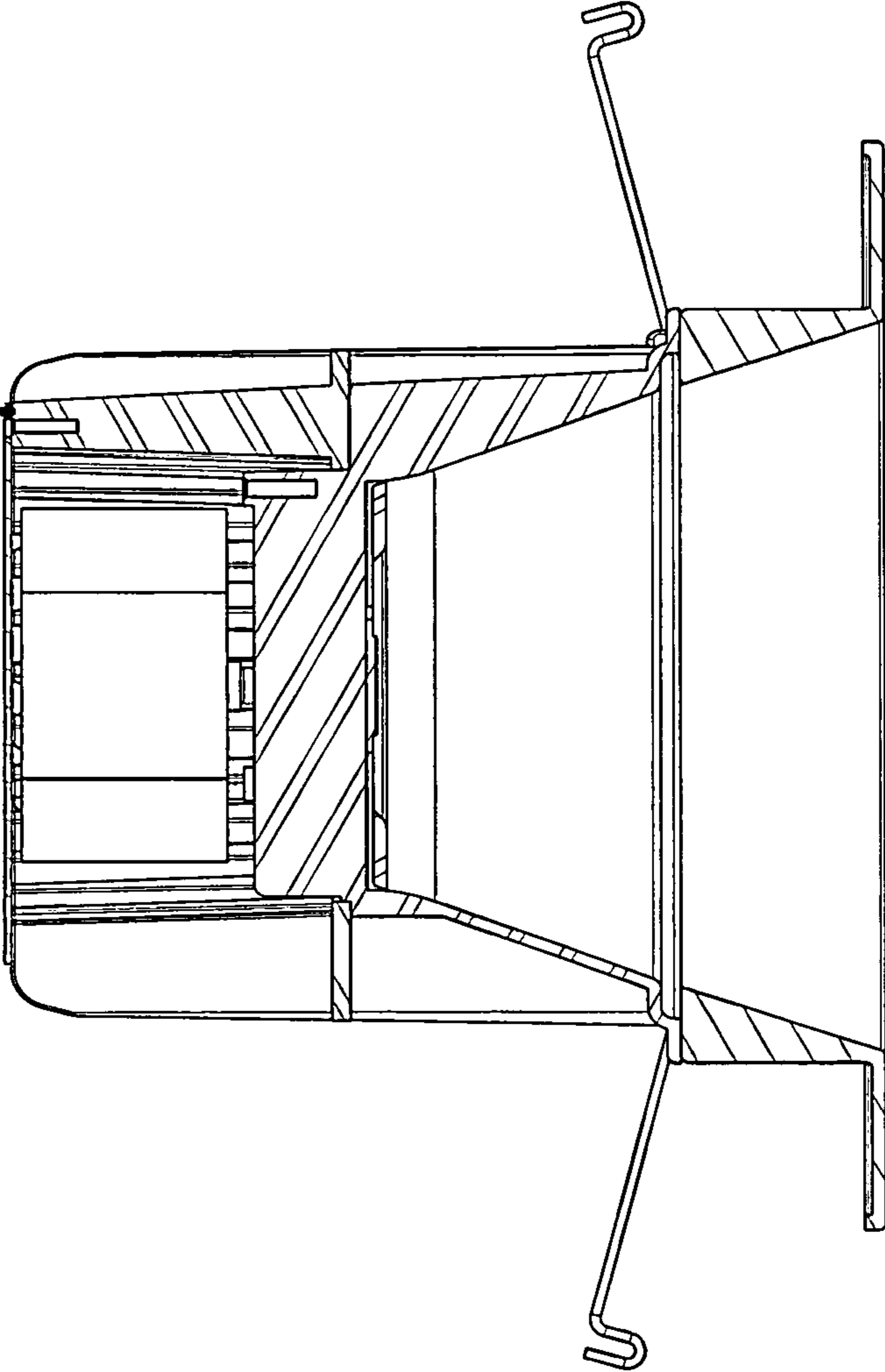


FIG. 20