

US00D690865S

(12) **United States Design Patent**
Rashidi

(10) **Patent No.:** **US D690,865 S**
(45) **Date of Patent:** **** *Oct. 1, 2013**

(54) **LED RETROFIT RECESSED LIGHT WITH LENS**

(76) Inventor: **Hamid Rashidi**, Commerce, CA (US)

(*) Notice: This patent is subject to a terminal disclaimer.

(**) Term: **14 Years**

(21) Appl. No.: **29/374,848**

(22) Filed: **Oct. 13, 2011**

(51) **LOC (9) Cl.** **26-05**

(52) **U.S. Cl.**
USPC **D26/74**

(58) **Field of Classification Search**
USPC D26/24, 72, 80, 81, 83, 85, 88, 89,
D26/91, 113, 118, 123, 124, 138, 74, 76;
362/145, 146, 147, 148, 150, 153, 294, 296.01,
362/296.07, 296.08, 311.07, 311.09, 311.1,
362/345, 364, 365, 366, 373
See application file for complete search history.

(56) **References Cited**

U.S. PATENT DOCUMENTS

D573,294 S *	7/2008	Chan et al.	D26/74
D595,452 S *	6/2009	Khang et al.	D26/138
D610,290 S *	2/2010	Yoshinobu et al.	D26/74
7,722,227 B2 *	5/2010	Zhang et al.	362/364
D624,691 S *	9/2010	Zhang et al.	D26/138
D640,820 S *	6/2011	Hopper	D26/74
D656,262 S *	3/2012	Yoshinobu et al.	D26/74
D656,263 S *	3/2012	Ogawa et al.	D26/74
D658,802 S *	5/2012	Chen	D26/74
D659,878 S *	5/2012	Rashidi	D26/74
D663,466 S *	7/2012	Rashidi	D26/74
D667,155 S *	9/2012	Rashidi	D26/74
2011/0222291 A1 *	9/2011	Peng	362/294

* cited by examiner

Primary Examiner — Angela J Lee

(74) Attorney, Agent, or Firm — Thomas I. Rozsa

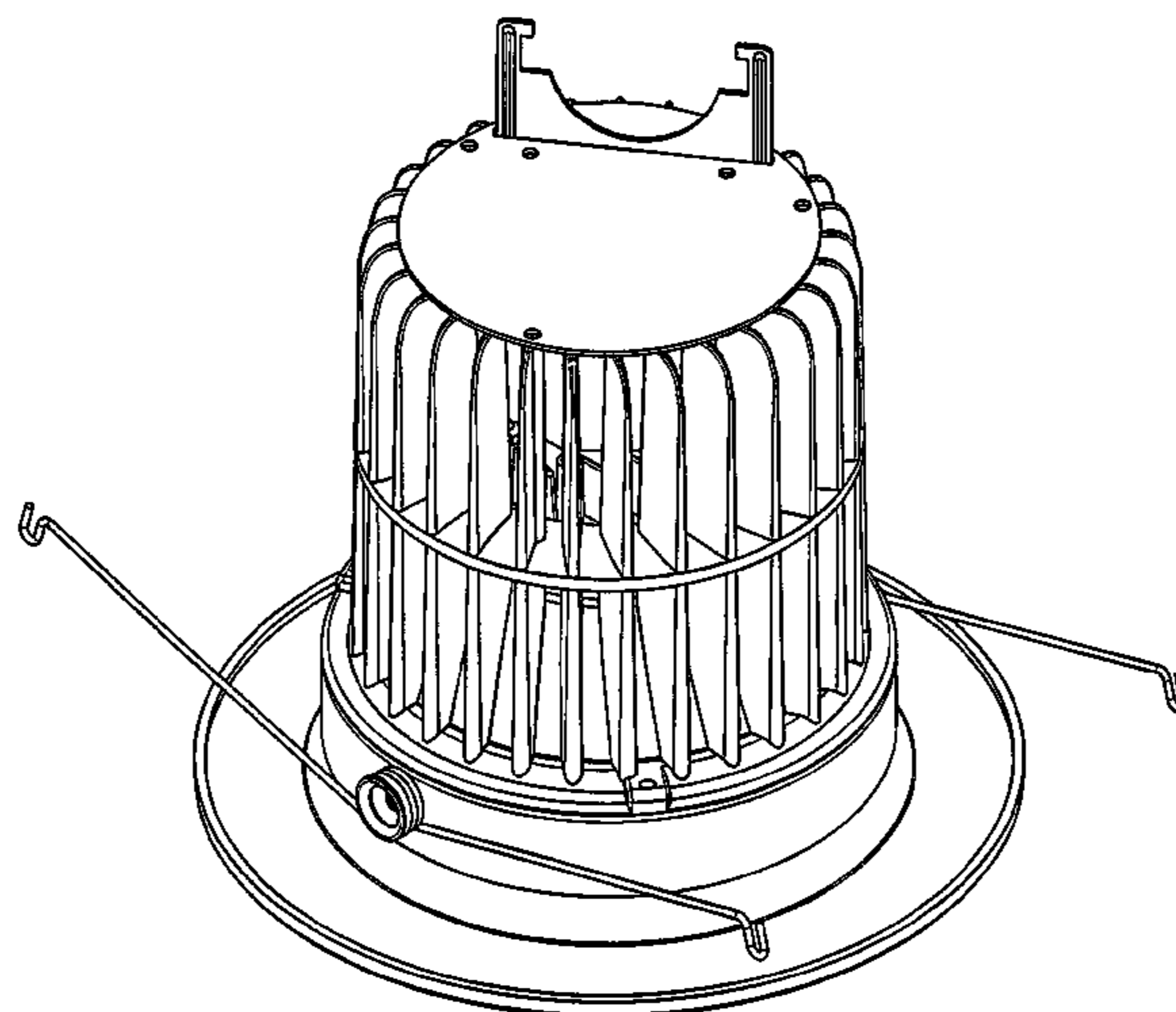
(57) **CLAIM**

The ornamental design for an LED retrofit recessed light with lens, as shown and described.

DESCRIPTION

FIG. 1 is a perspective view of a first embodiment of the LED retrofit recessed light with lens, showing my new design;
 FIG. 2 is a front elevational view thereof;
 FIG. 3 is a rear elevational view thereof;
 FIG. 4 is a left side elevational view thereof;
 FIG. 5 is a right side elevational view thereof;
 FIG. 6 is a top plan view thereof;
 FIG. 7 is a bottom plan view thereof;
 FIG. 8 is a top plan view of the LED retrofit recessed light with lens with section lines A-A and B-B;
 FIG. 9 is a side sectional view taken along Line A-A of FIG. 8 for the embodiment represented in FIG. 7;
 FIG. 10 is a side sectional view taken along Line B-B of FIG. 8 for the embodiment represented in FIG. 7;
 FIG. 11 is a perspective view of a second embodiment of the LED retrofit recessed light with lens, showing my new design;
 FIG. 12 is a front elevational view thereof;
 FIG. 13 is a rear elevational view thereof;
 FIG. 14 is a left side elevational view thereof;
 FIG. 15 is a right side elevational view thereof;
 FIG. 16 is a top plan view thereof;
 FIG. 17 is a bottom plan view thereof;
 FIG. 18 is a top plan view of the LED retrofit recessed light with lens with section lines A-A and B-B;
 FIG. 19 is a side sectional view taken along Line A-A of FIG. 18 for the embodiment represented in FIG. 17; and,
 FIG. 20 is a side sectional view taken along Line B-B of FIG. 18 for the embodiment represented in FIG. 17.

1 Claim, 20 Drawing Sheets



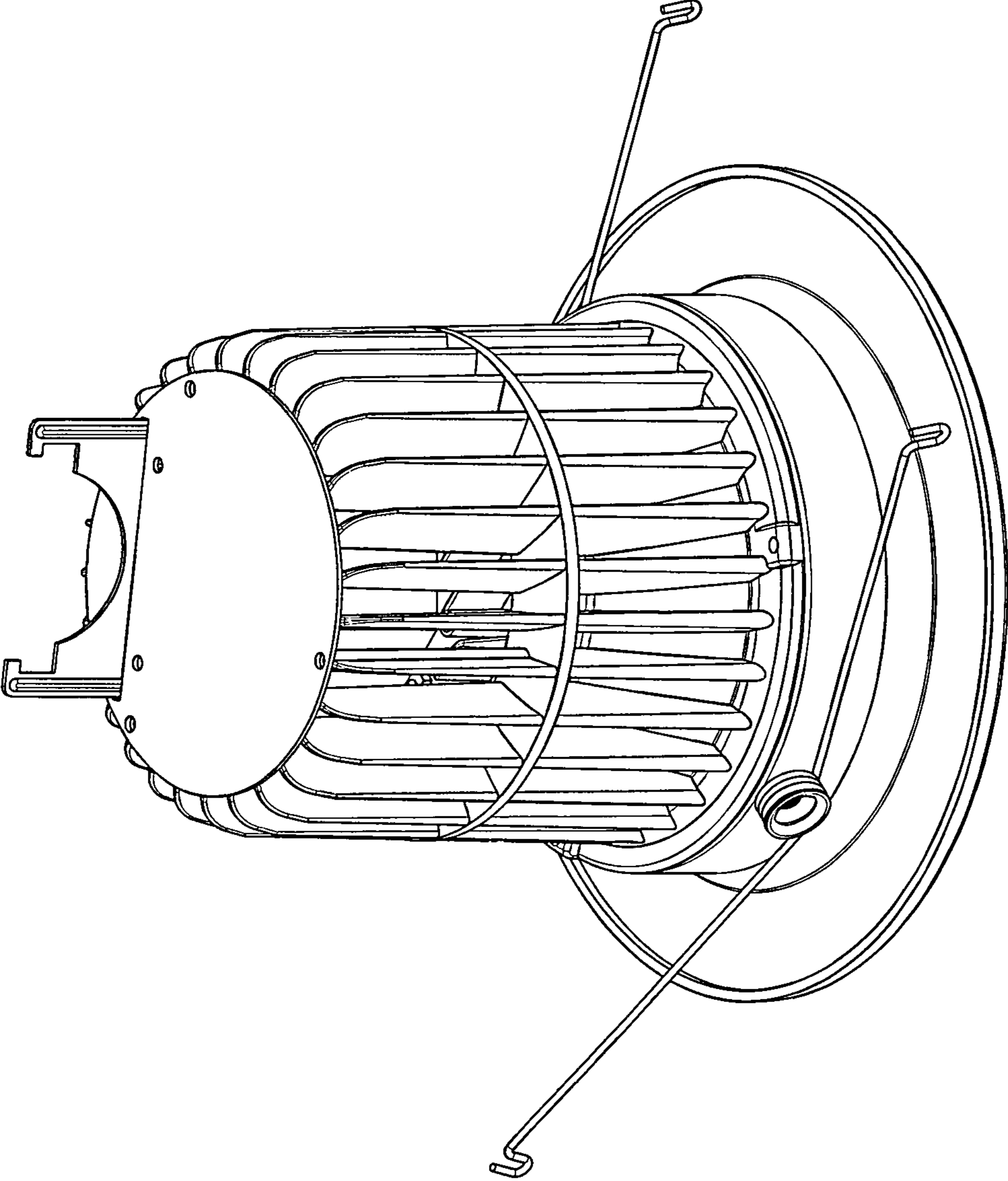


FIG. 1

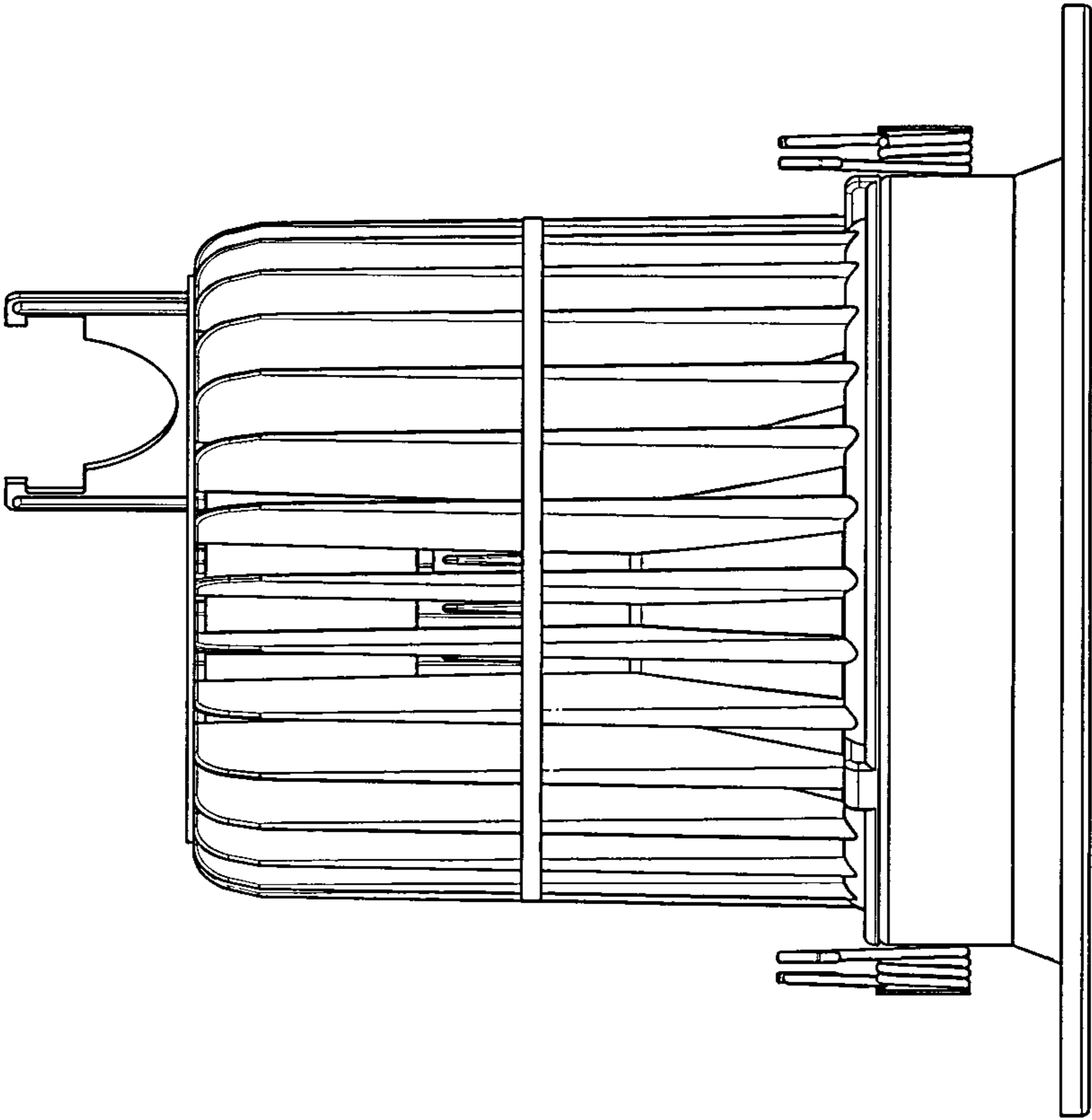


FIG. 2

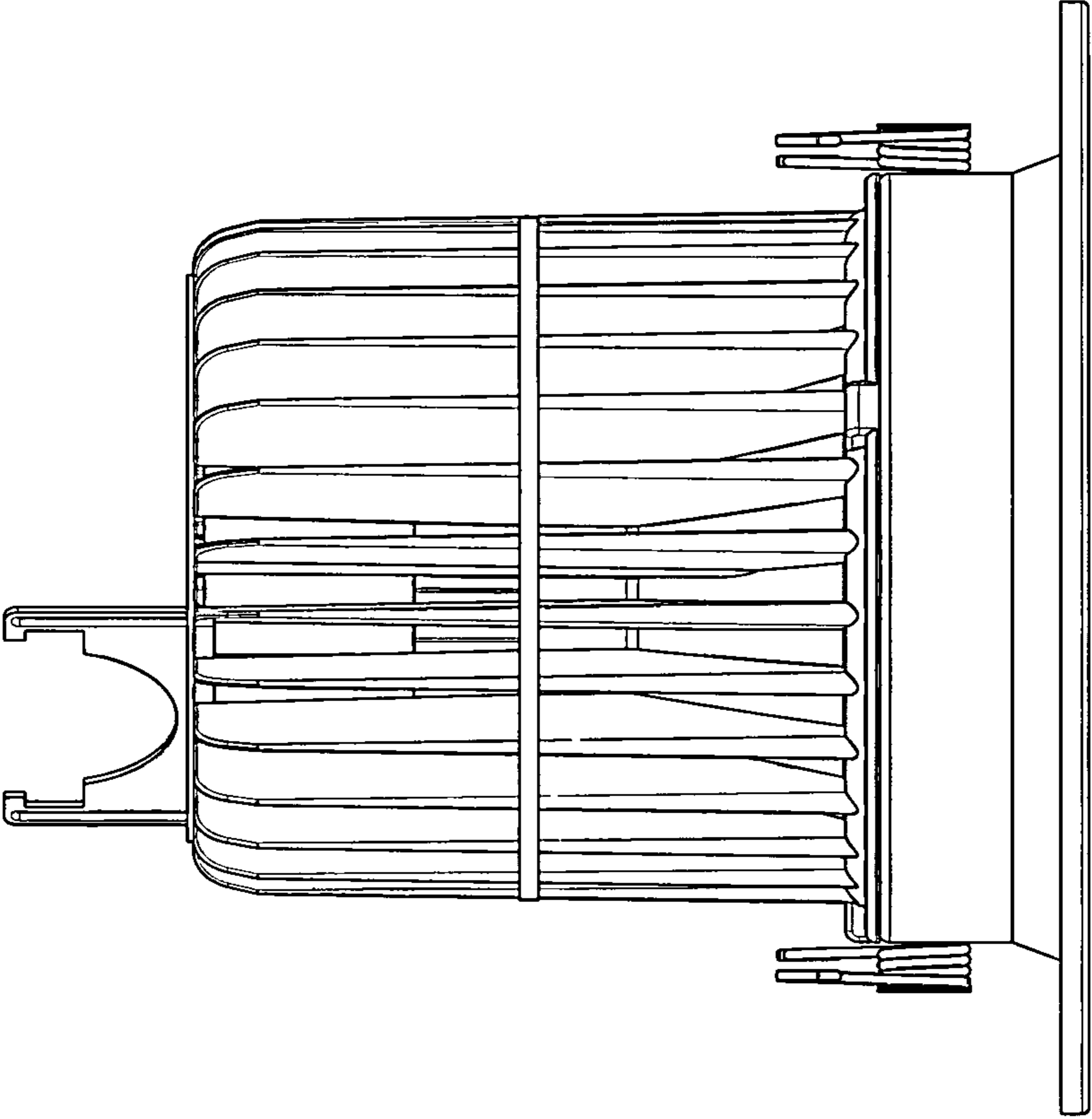


FIG.3

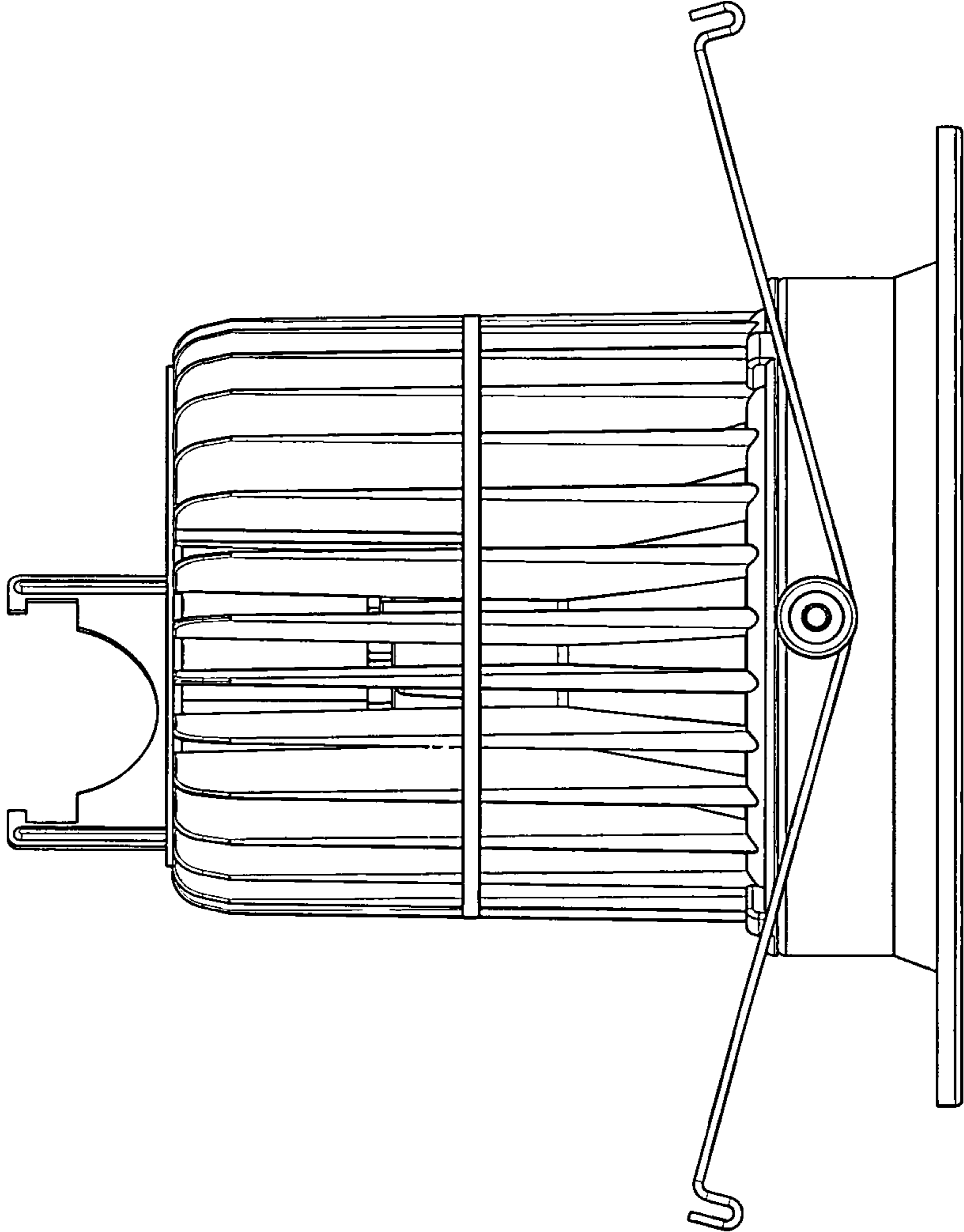


FIG.4

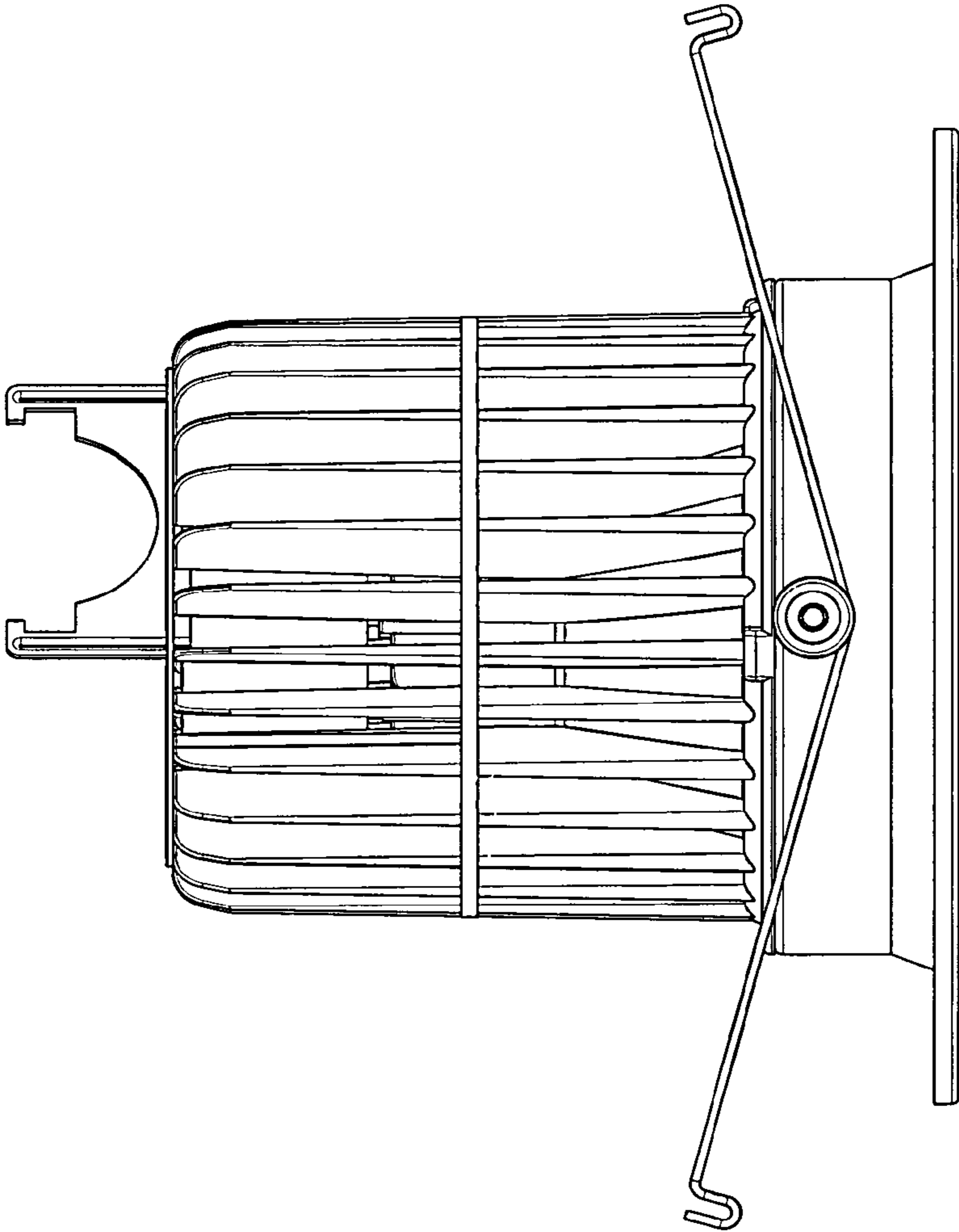


FIG. 5

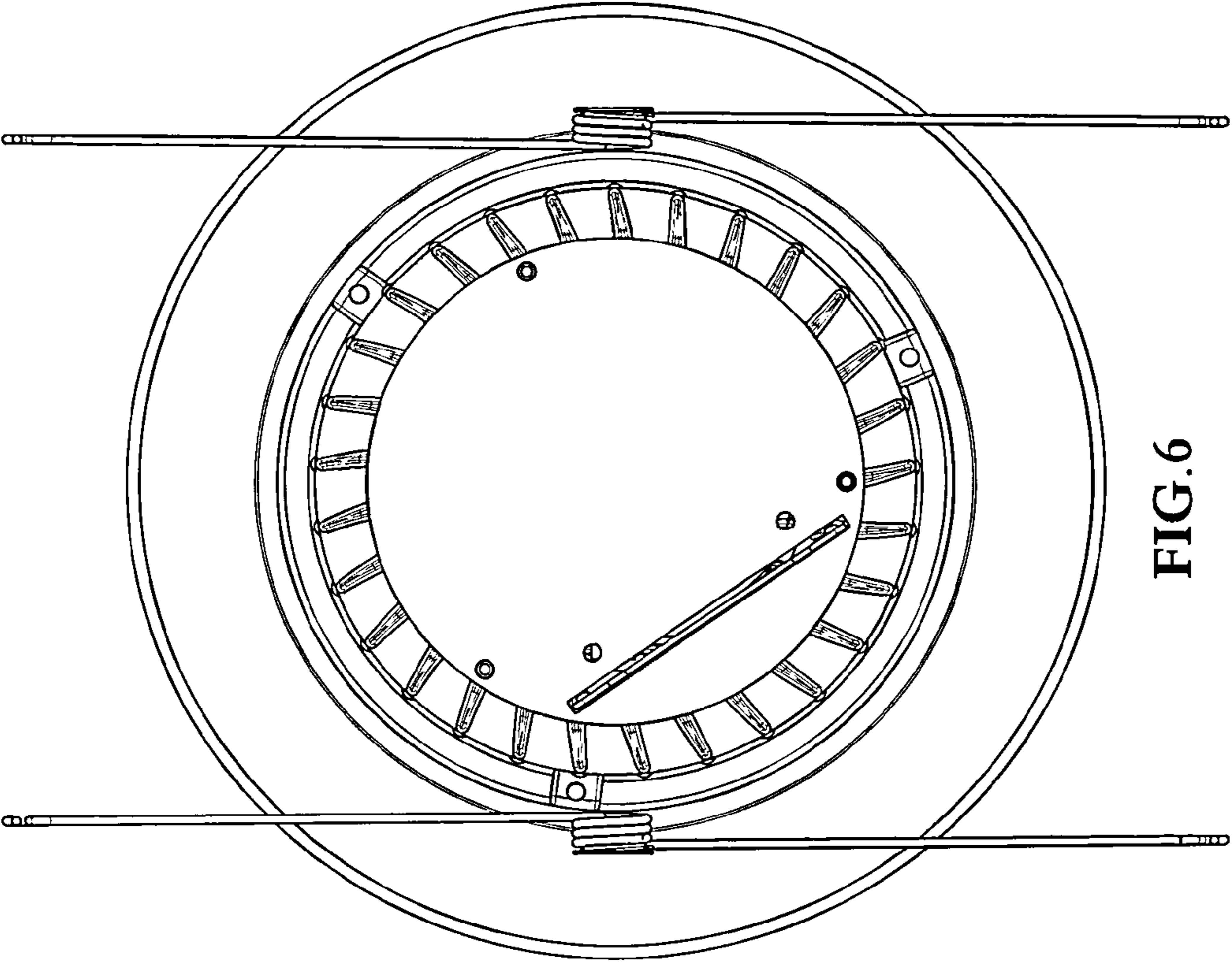


FIG. 6

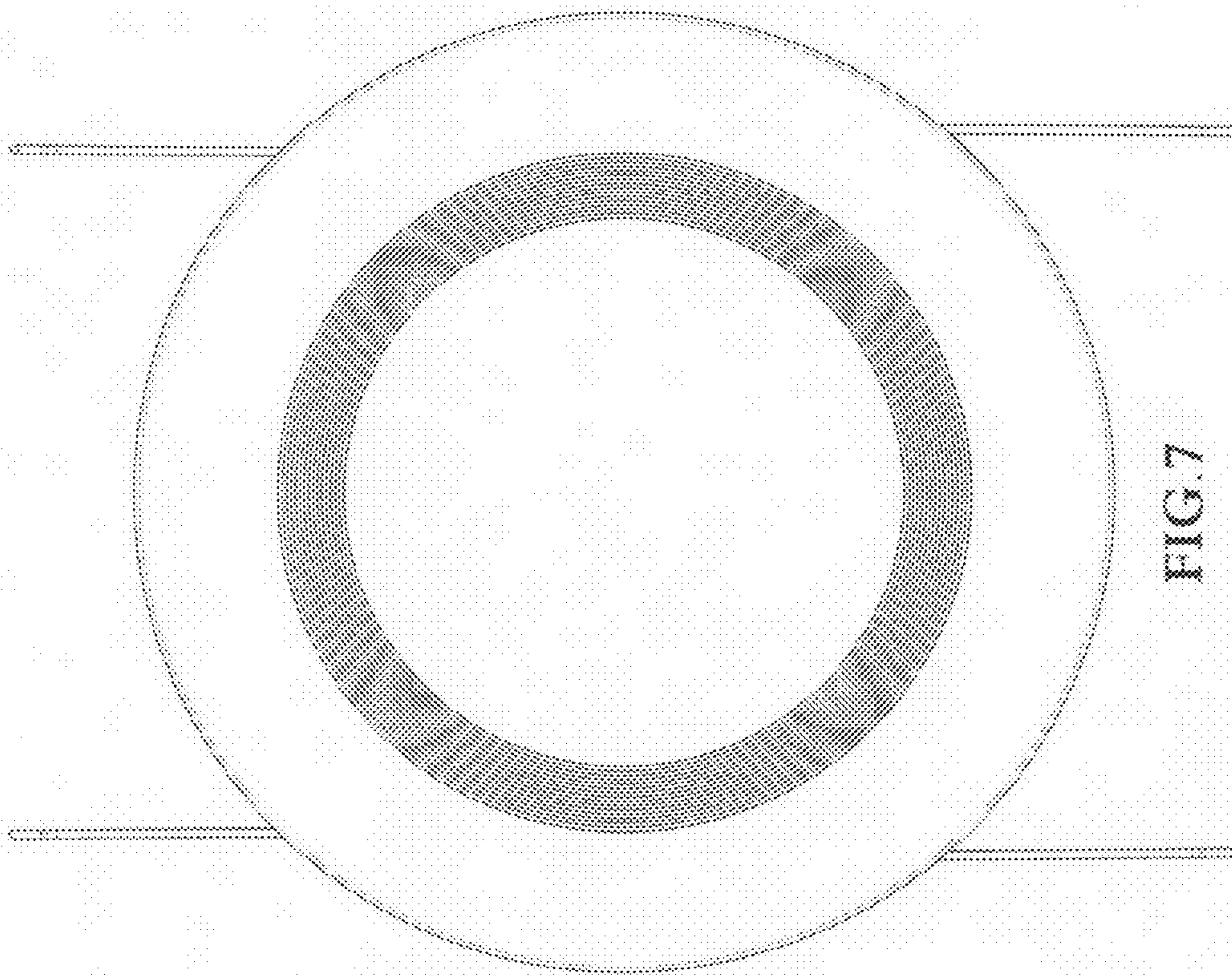


FIG. 7

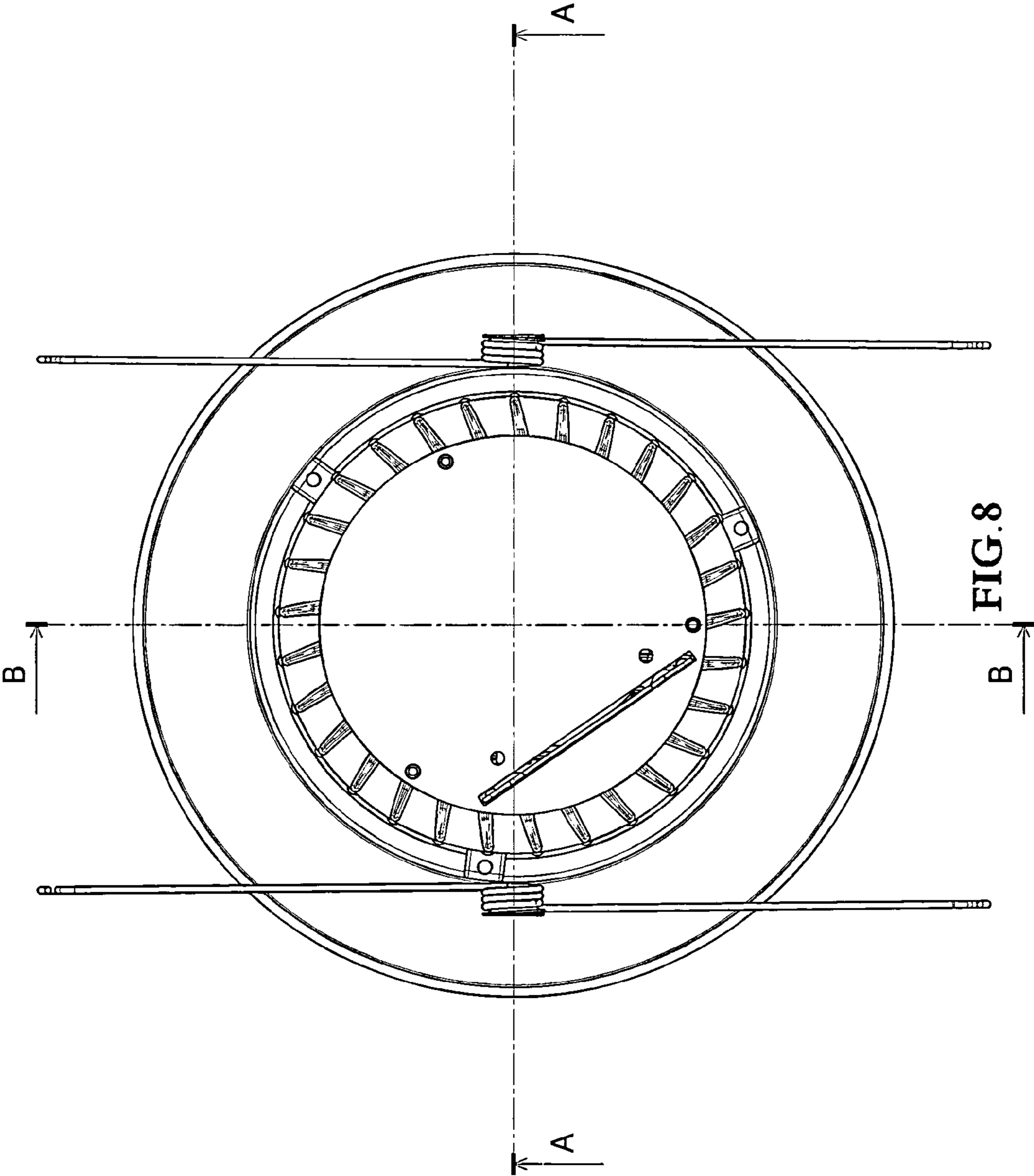


FIG. 8

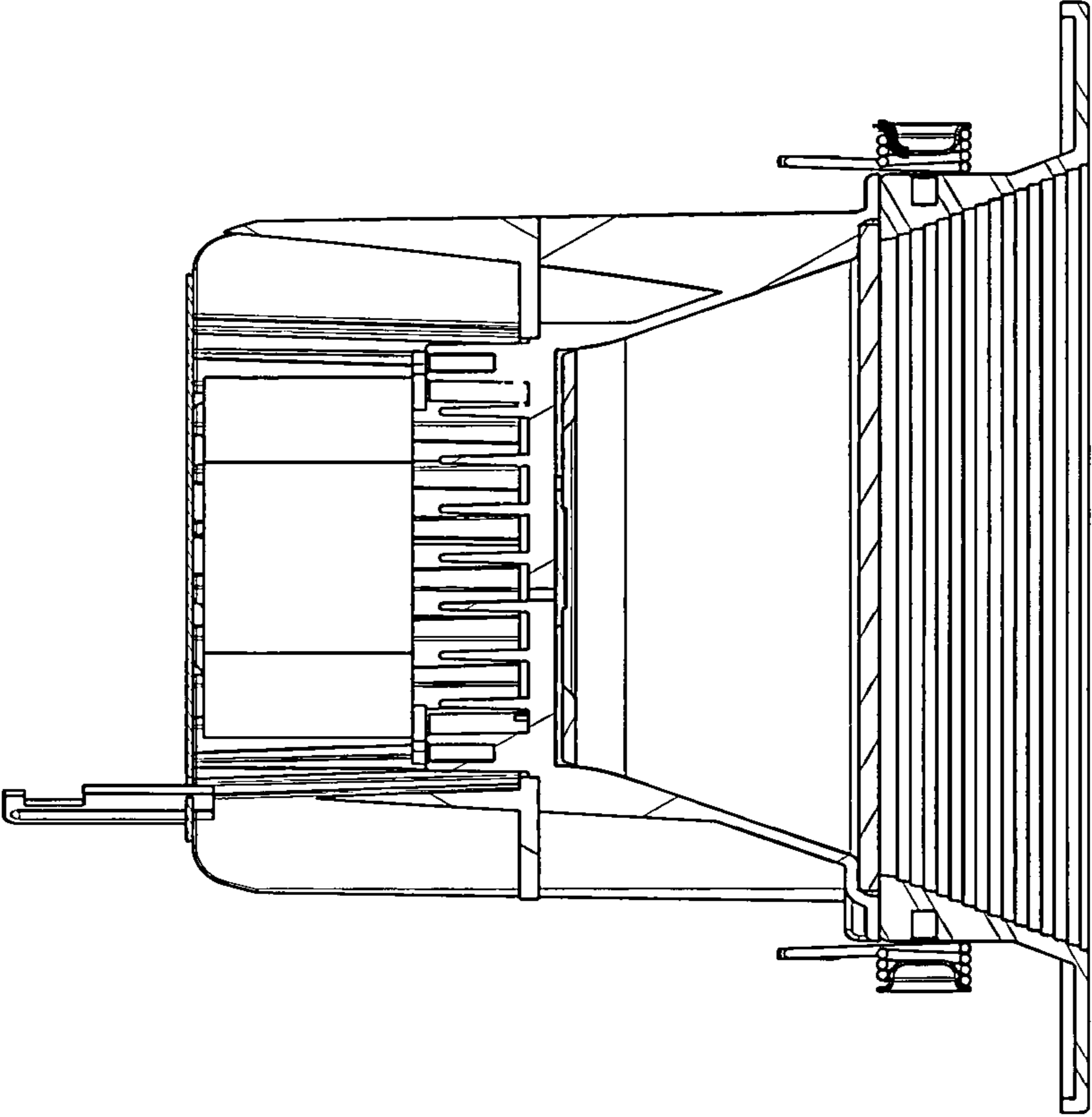


FIG. 9

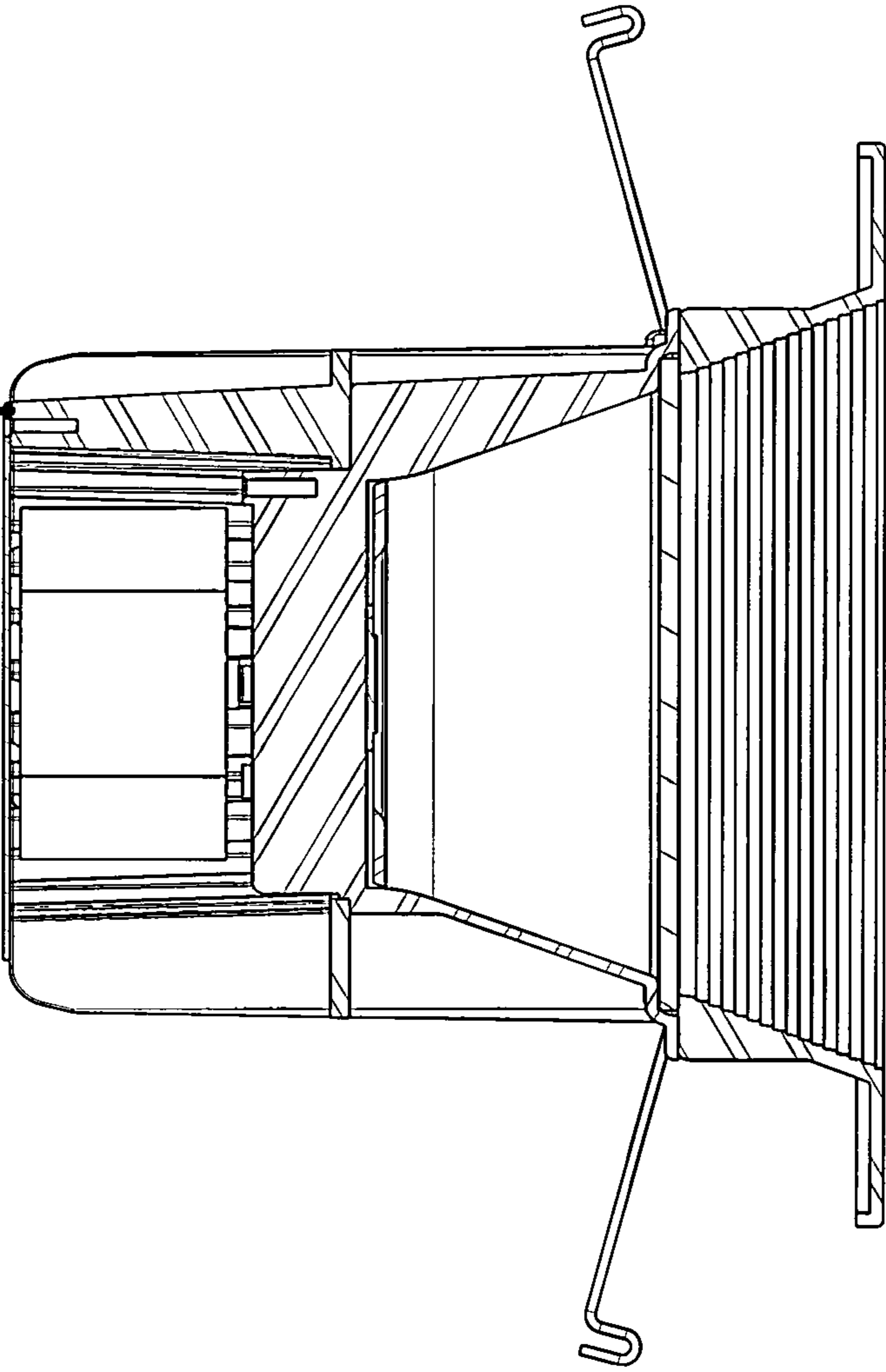


FIG.10

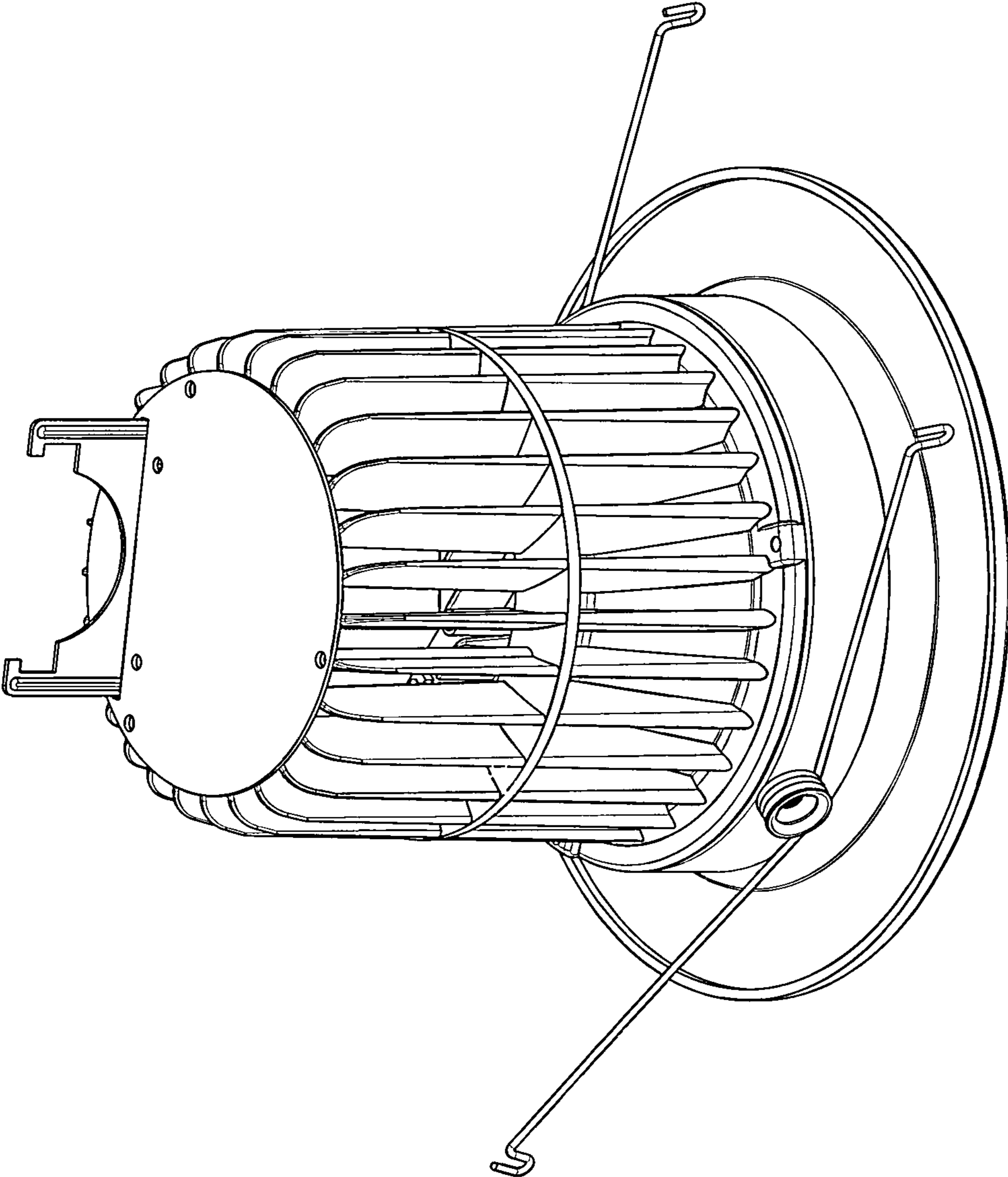


FIG.11

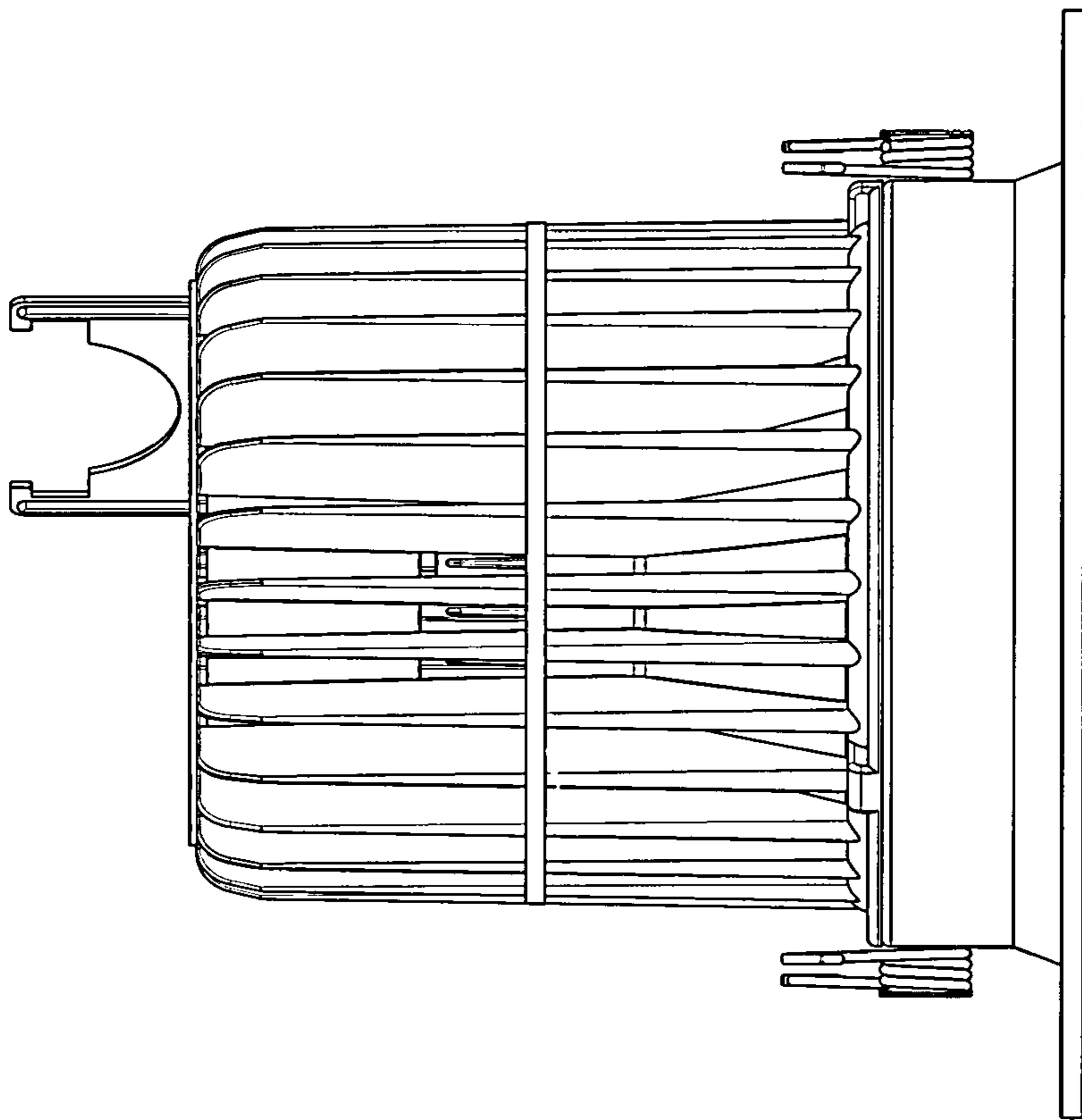


FIG.12

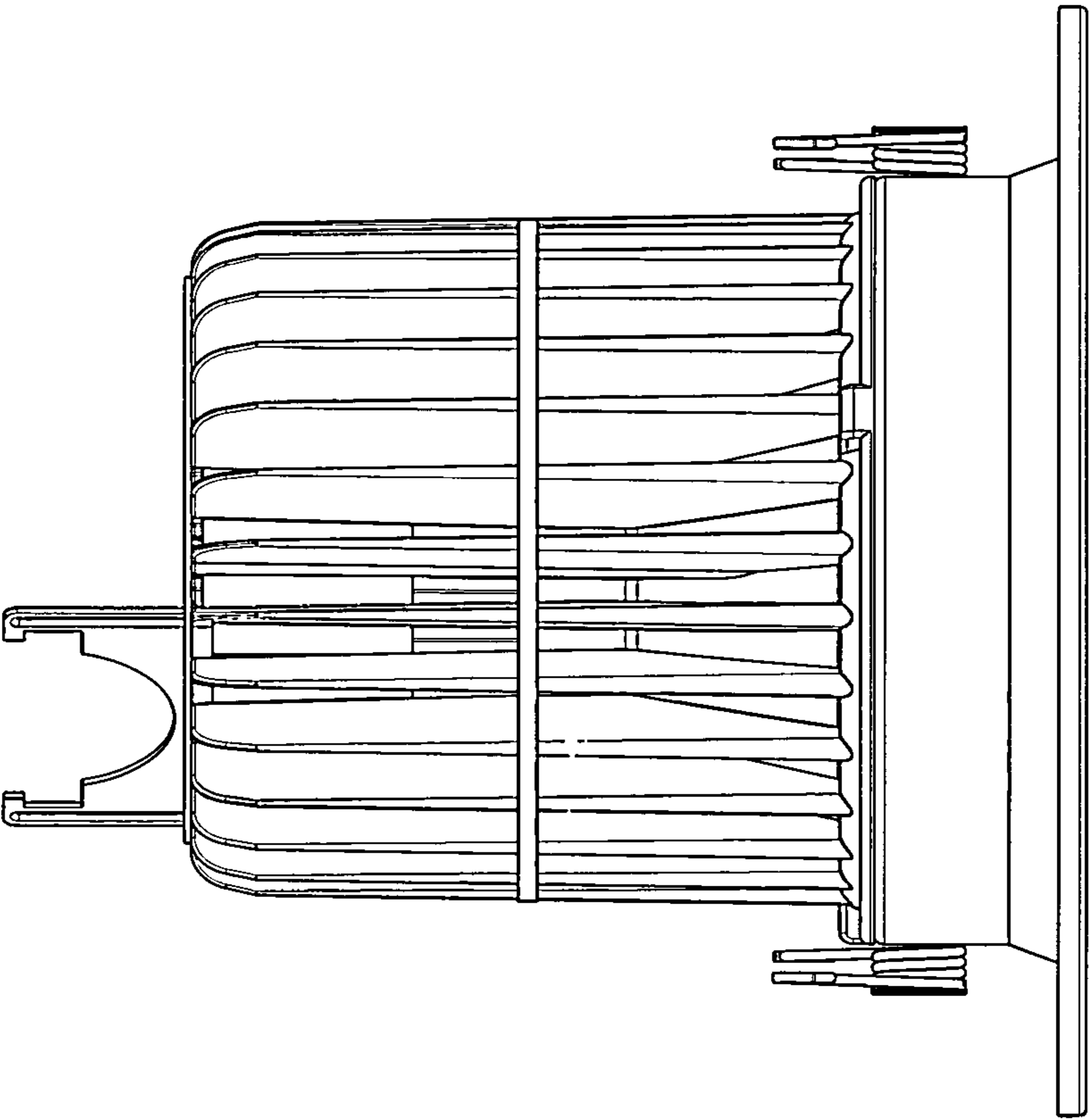


FIG.13

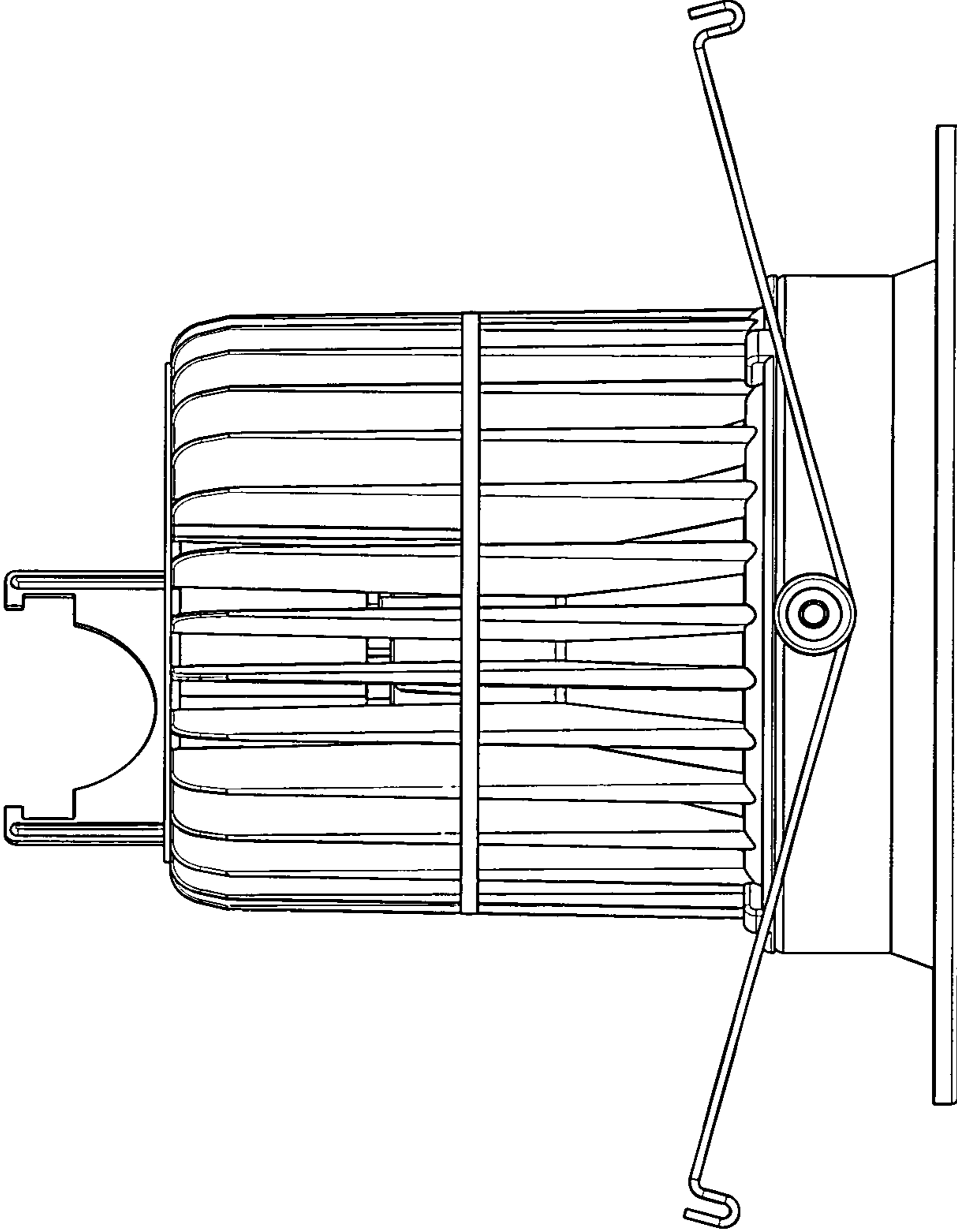


FIG.14

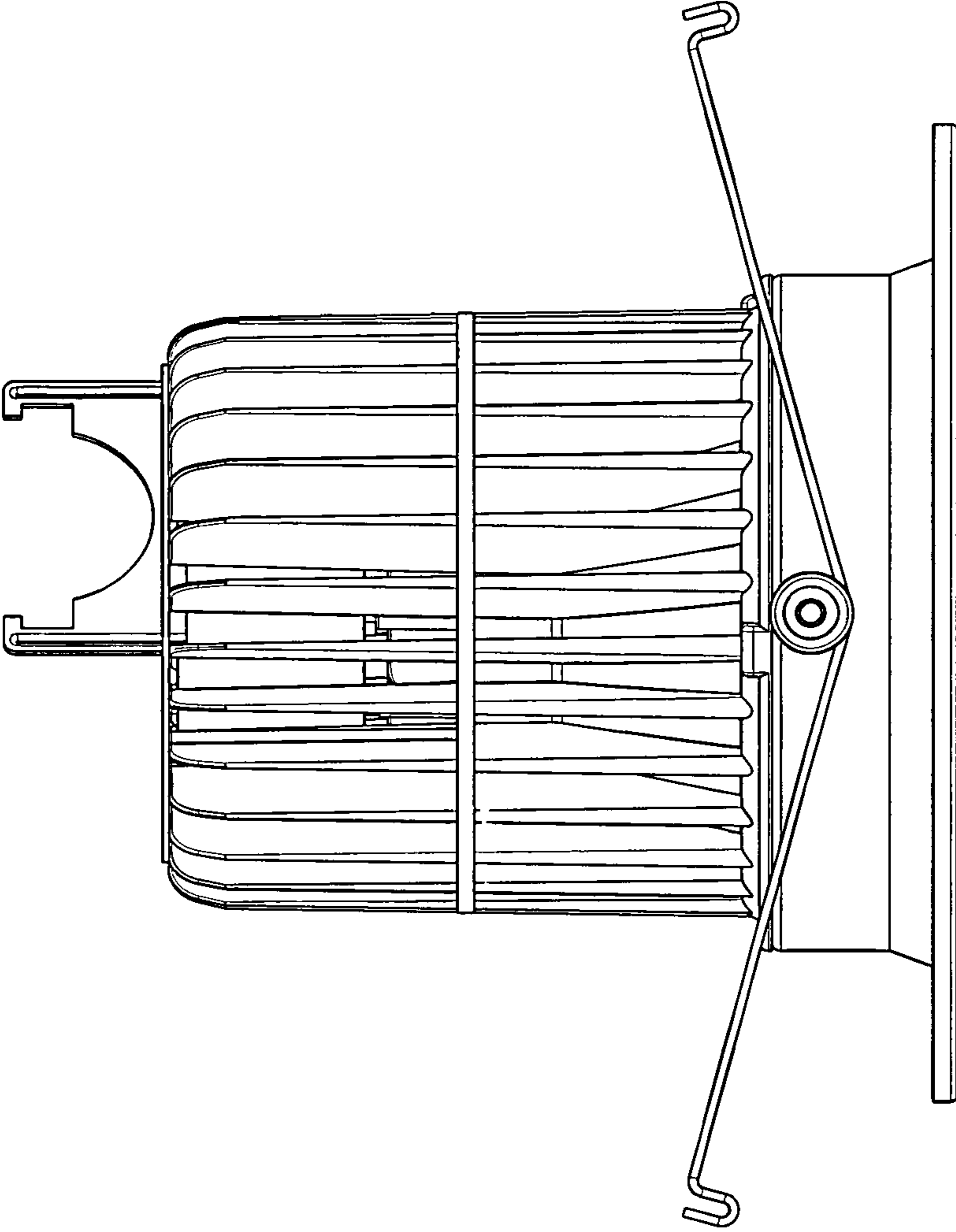


FIG.15

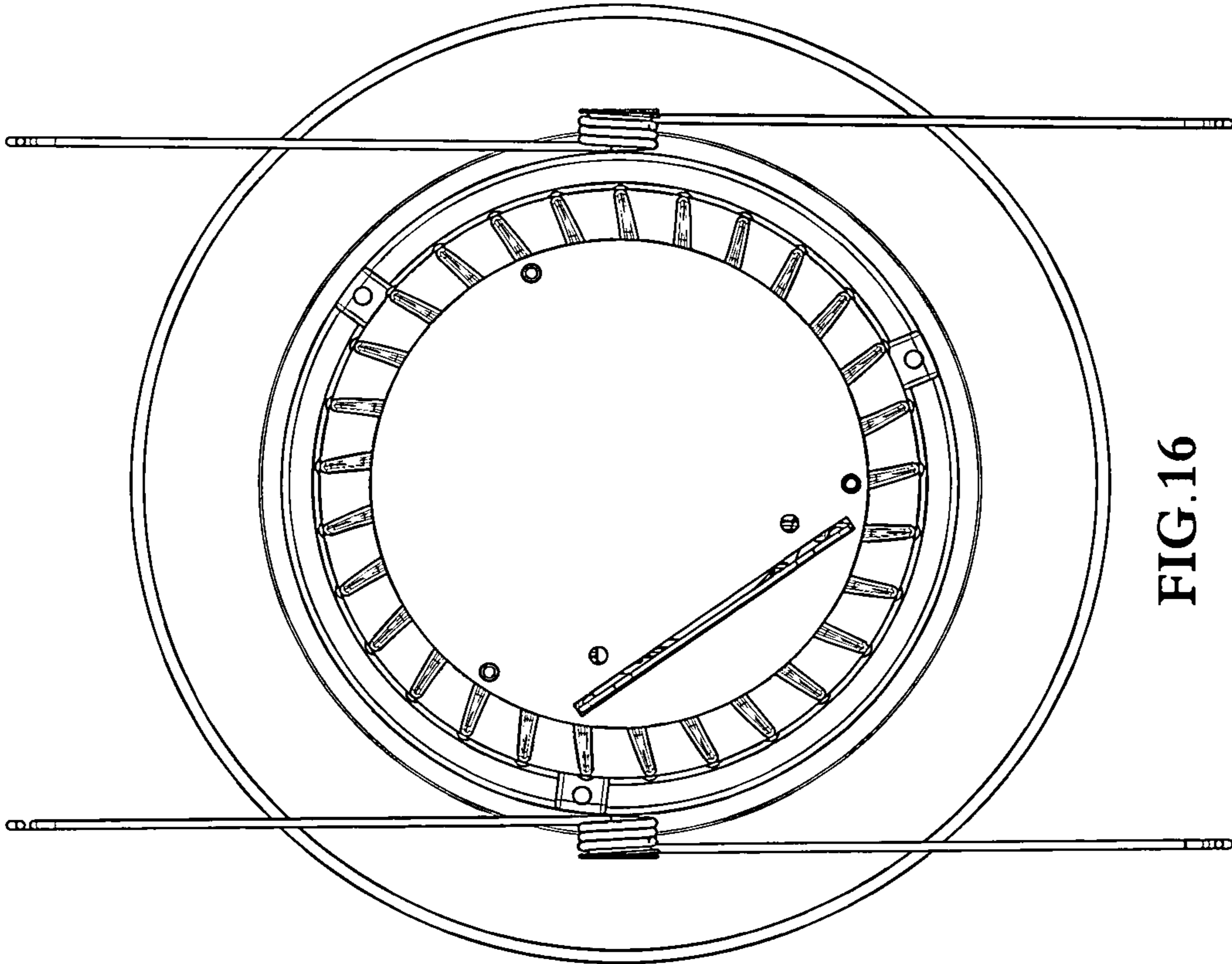


FIG.16

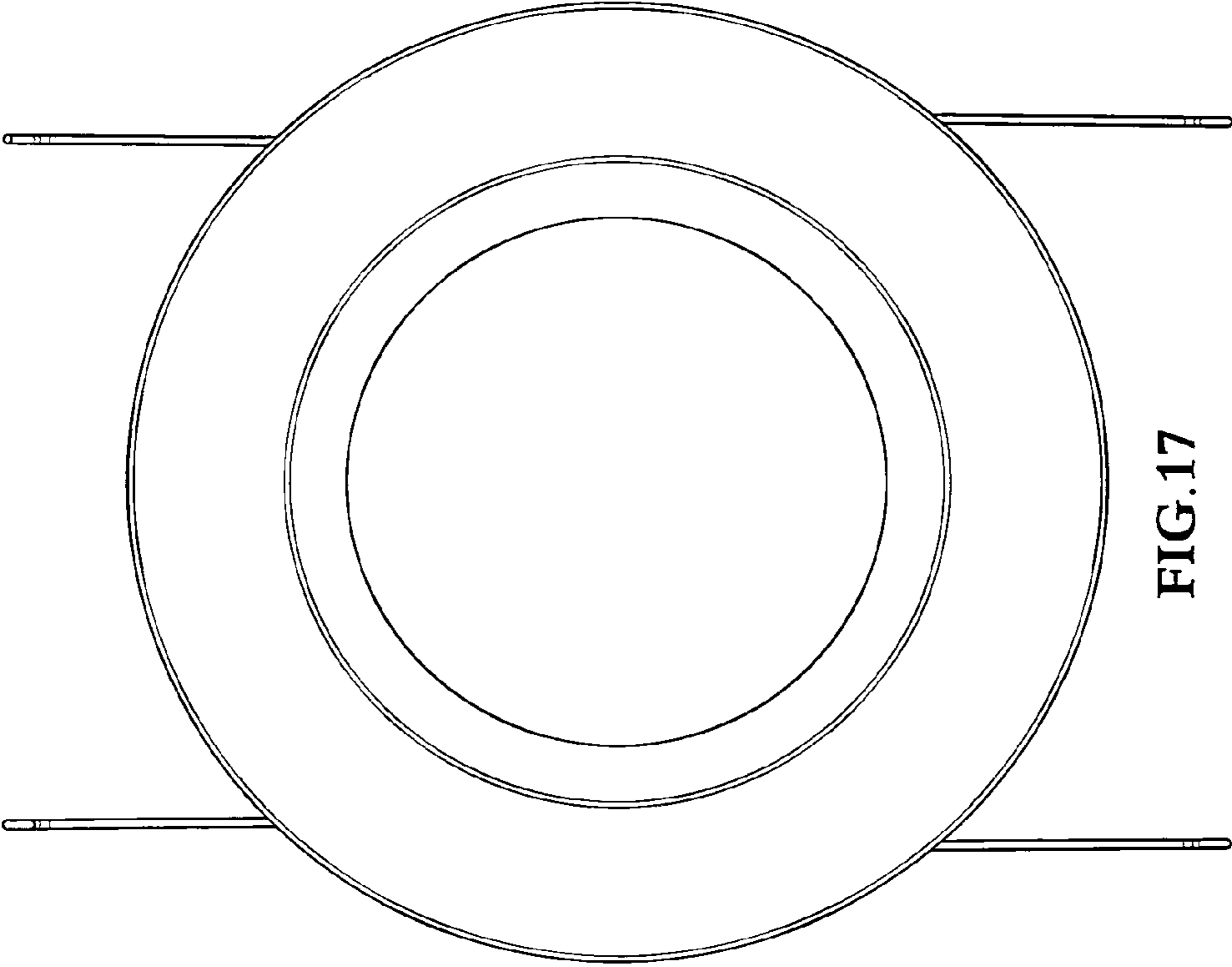
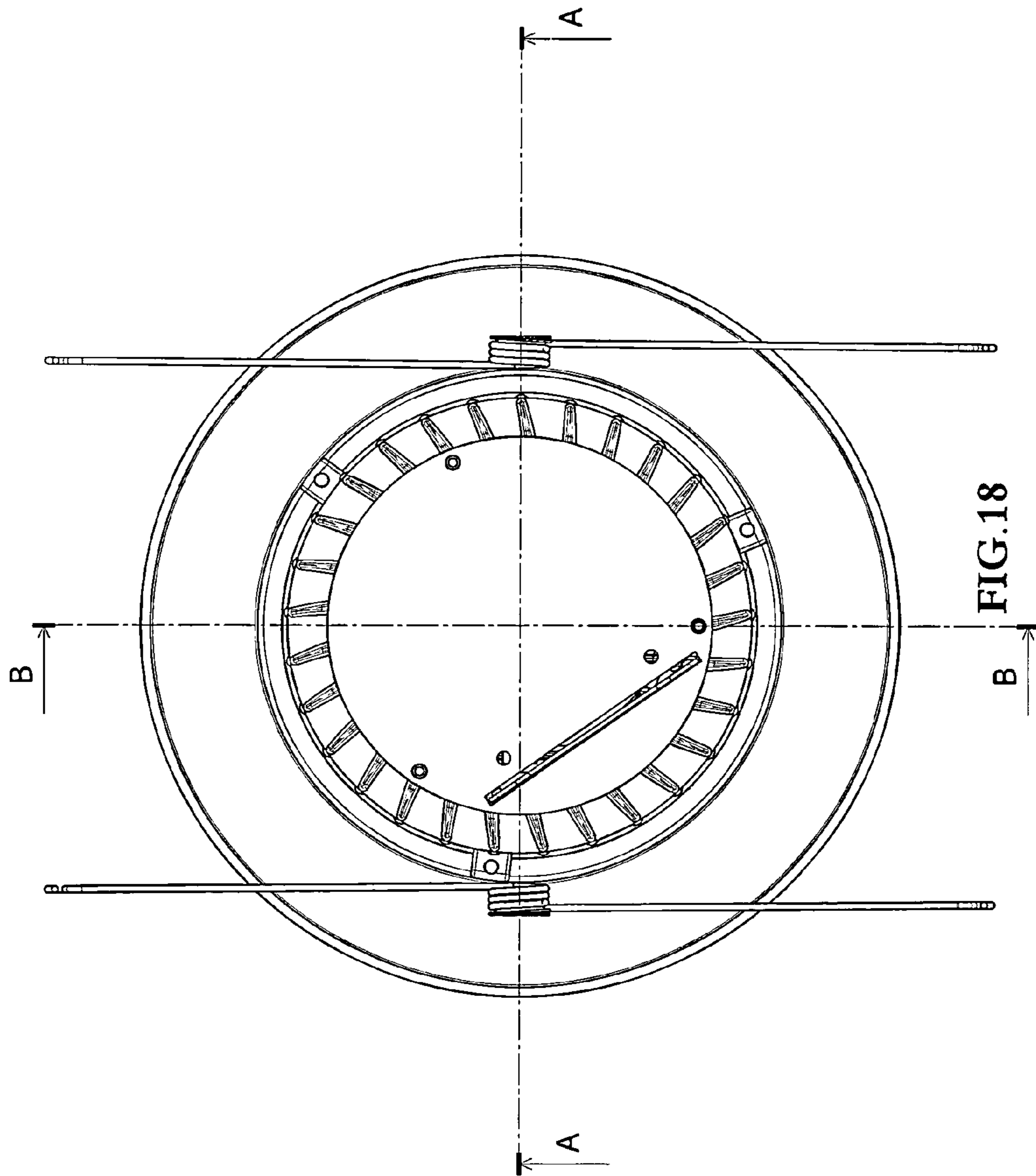


FIG.17



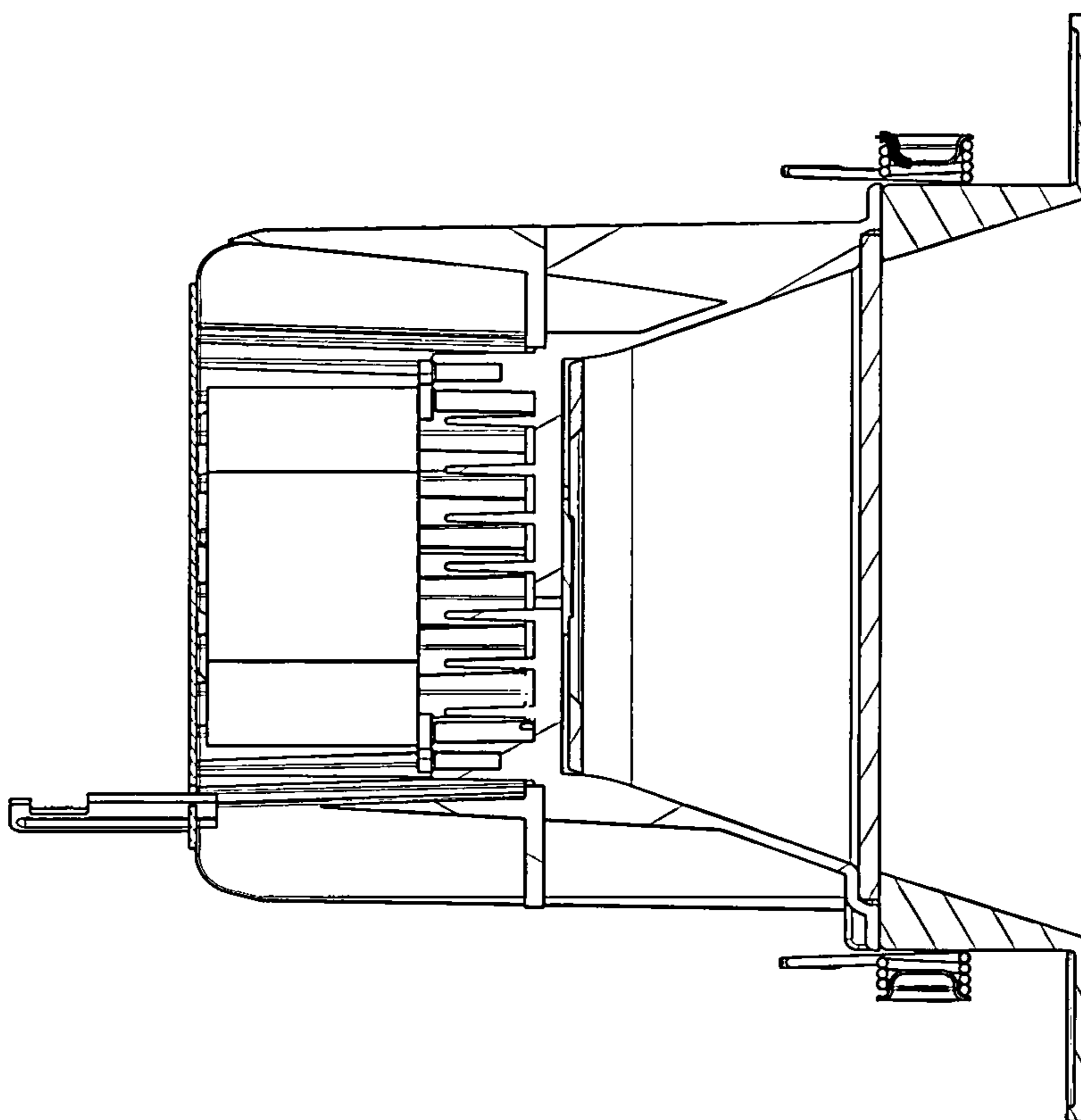


FIG.19

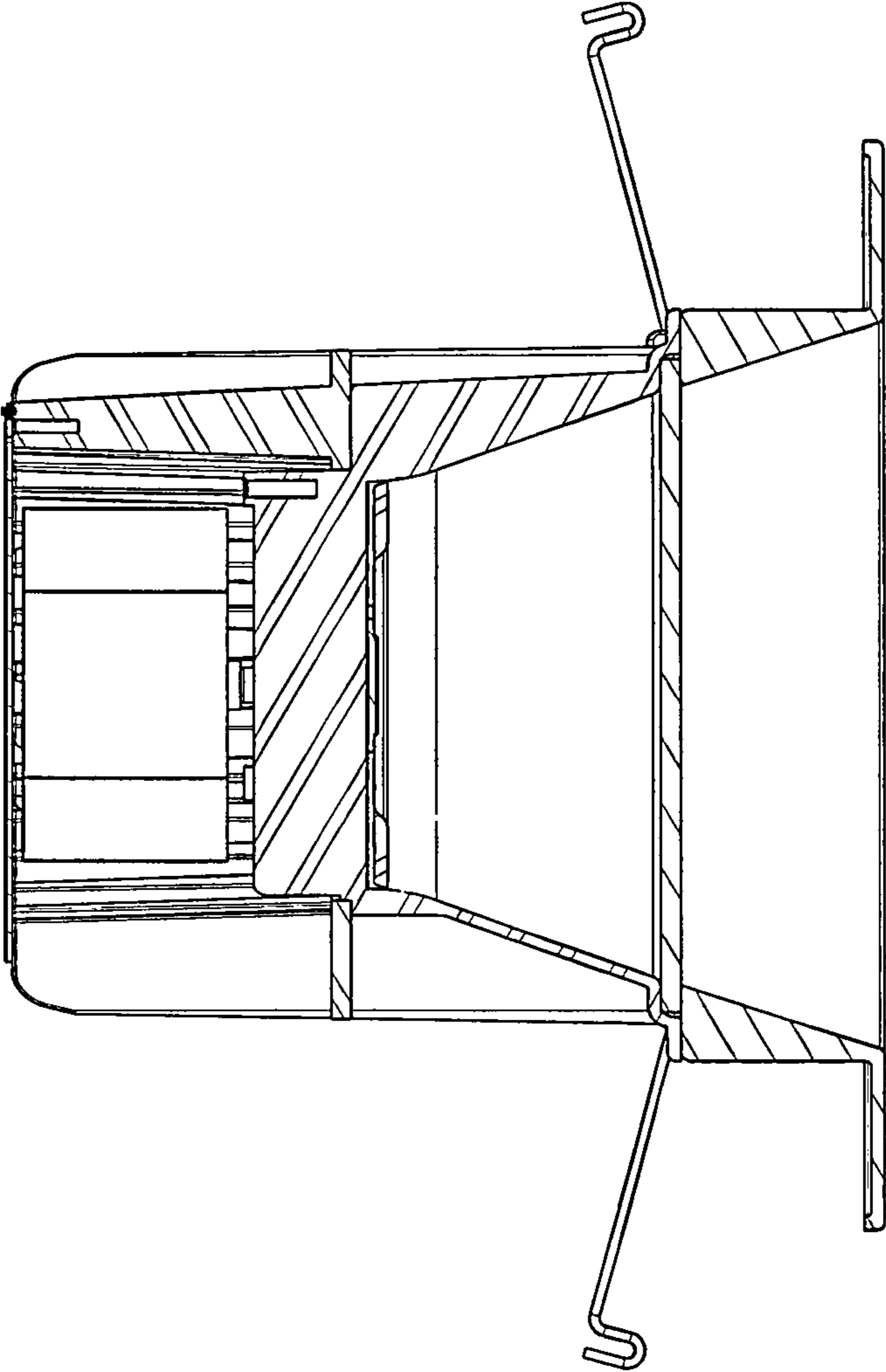


FIG.20