

US00D690864S

(12) **United States Design Patent**  
**Rashidi**

(10) **Patent No.:** **US D690,864 S**  
(45) **Date of Patent:** **\*\* \*Oct. 1, 2013**

(54) **LED RETROFIT RECESSED LIGHT WITH LENS**

(74) *Attorney, Agent, or Firm* — Thomas I. Rozsa

(76) Inventor: **Hamid Rashidi**, Commerce, CA (US)

(57) **CLAIM**  
The ornamental design for an LED retrofit recessed light with lens, as shown and described.

(\*) Notice: This patent is subject to a terminal disclaimer.

(\*\*) Term: **14 Years**

**DESCRIPTION**

(21) Appl. No.: **29/374,841**

(22) Filed: **Oct. 13, 2011**

**Related U.S. Application Data**

(63) Continuation-in-part of application No. 29/349,044, filed on Mar. 2, 2010, now Pat. No. Des. 667,155.

(51) **LOC (9) Cl.** ..... **26-05**

(52) **U.S. Cl.**  
USPC ..... **D26/74**

(58) **Field of Classification Search**  
USPC ..... D26/24, 72, 80, 81, 83, 85, 88, 89,  
D26/91, 113, 118, 123, 124, 138, 74, 76;  
362/145, 146, 147, 148, 150, 153, 294, 296.01,  
362/296.07, 296.08, 311.07, 311.09, 311.1,  
362/345, 364, 365, 366, 373  
See application file for complete search history.

FIG. 1 is a perspective view of a first embodiment of the LED retrofit recessed light with lens, showing my new design;  
FIG. 2 is a front elevational view thereof;  
FIG. 3 is a rear elevational view thereof;  
FIG. 4 is a left side elevational view thereof;  
FIG. 5 is a right side elevational view thereof;  
FIG. 6 is a top plan view thereof;  
FIG. 7 is a bottom plan view thereof;  
FIG. 8 is a top plan view of the LED retrofit recessed light with lens with section lines A-A and B-B;  
FIG. 9 is a side sectional view taken along Line A-A of FIG. 8 for the embodiment represented in FIG. 7;  
FIG. 10 is a side sectional view taken along Line B-B of FIG. 8 for the embodiment represented in FIG. 7;  
FIG. 11 is a perspective view of a second embodiment of the LED retrofit recessed light with lens, showing my design;  
FIG. 12 is a front elevational view thereof;  
FIG. 13 is a rear elevational view thereof;  
FIG. 14 is a left side elevational view thereof;  
FIG. 15 is a right side elevational view thereof;  
FIG. 16 is a top plan view thereof;  
FIG. 17 is a bottom plan view thereof;  
FIG. 18 is a top plan view of the LED retrofit recessed light with lens with section lines A-1 and B-B;  
FIG. 19 is a side sectional view taken along Line A-A of FIG. 18 for the embodiment represented in FIG. 17; and,  
FIG. 20 is a side sectional view taken along Line B-B of FIG. 18 for the embodiment represented in FIG. 17.

(56) **References Cited**

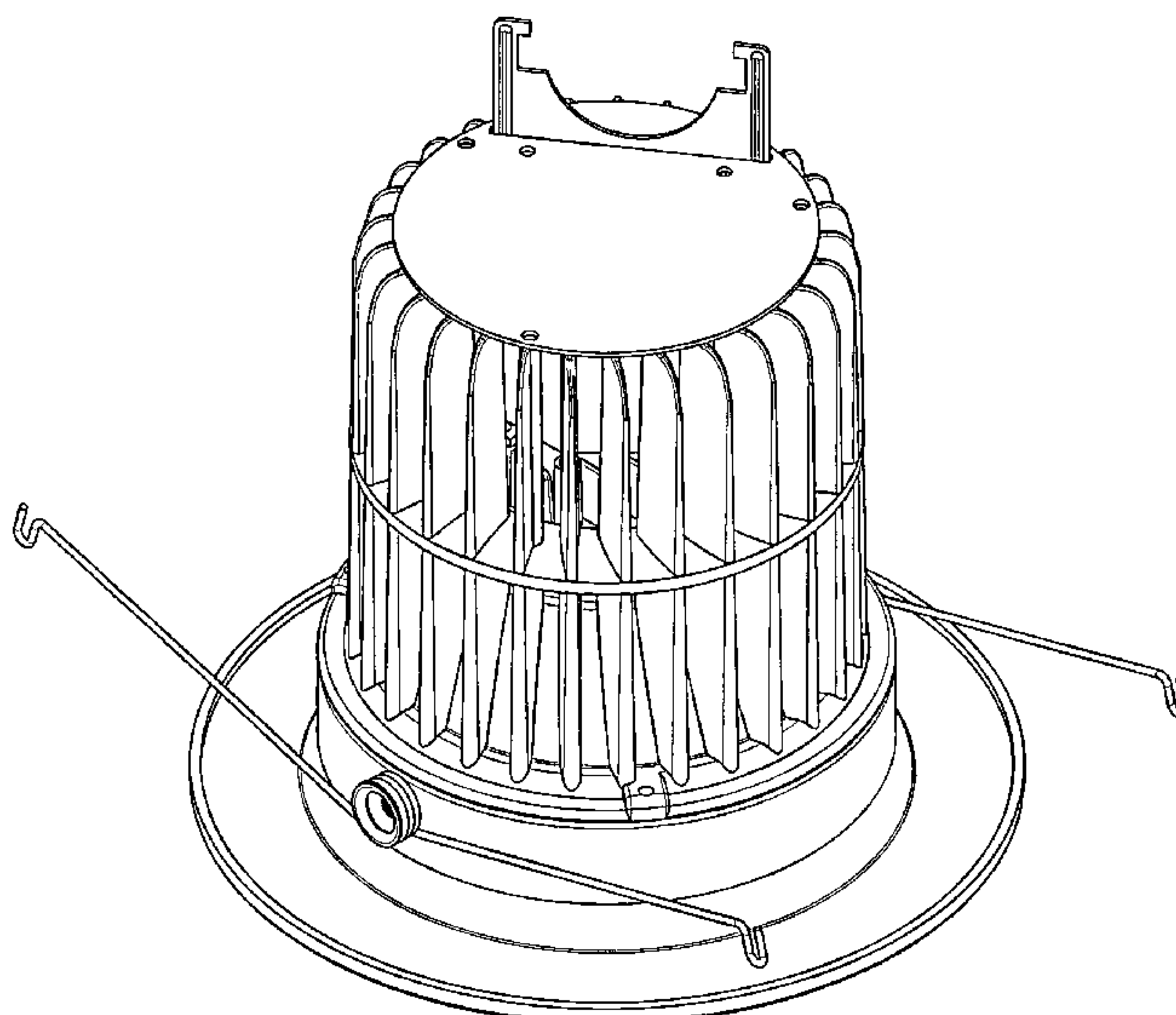
**U.S. PATENT DOCUMENTS**

D573,294	S	*	7/2008	Chan et al.	.....	D26/74
D595,452	S	*	6/2009	Khang et al.	.....	D26/138
D610,290	S	*	2/2010	Yoshinobu et al.	.....	D26/74
7,722,227	B2	*	5/2010	Zhang et al.	.....	362/364
D624,691	S	*	9/2010	Zhang et al.	.....	D26/138

(Continued)

*Primary Examiner* — Angela J Lee

**1 Claim, 20 Drawing Sheets**



(56)

**References Cited**

U.S. PATENT DOCUMENTS

D640,820 S \* 6/2011 Hopper ..... D26/74  
D656,262 S \* 3/2012 Yoshinobu et al. .... D26/74  
D656,263 S \* 3/2012 Ogawa et al. .... D26/74

D658,802 S \* 5/2012 Chen ..... D26/74  
D659,878 S \* 5/2012 Rashidi ..... D26/74  
D663,466 S \* 7/2012 Rashidi ..... D26/74  
D667,155 S \* 9/2012 Rashidi ..... D26/74  
2011/0222291 A1\* 9/2011 Peng ..... 362/294

\* cited by examiner

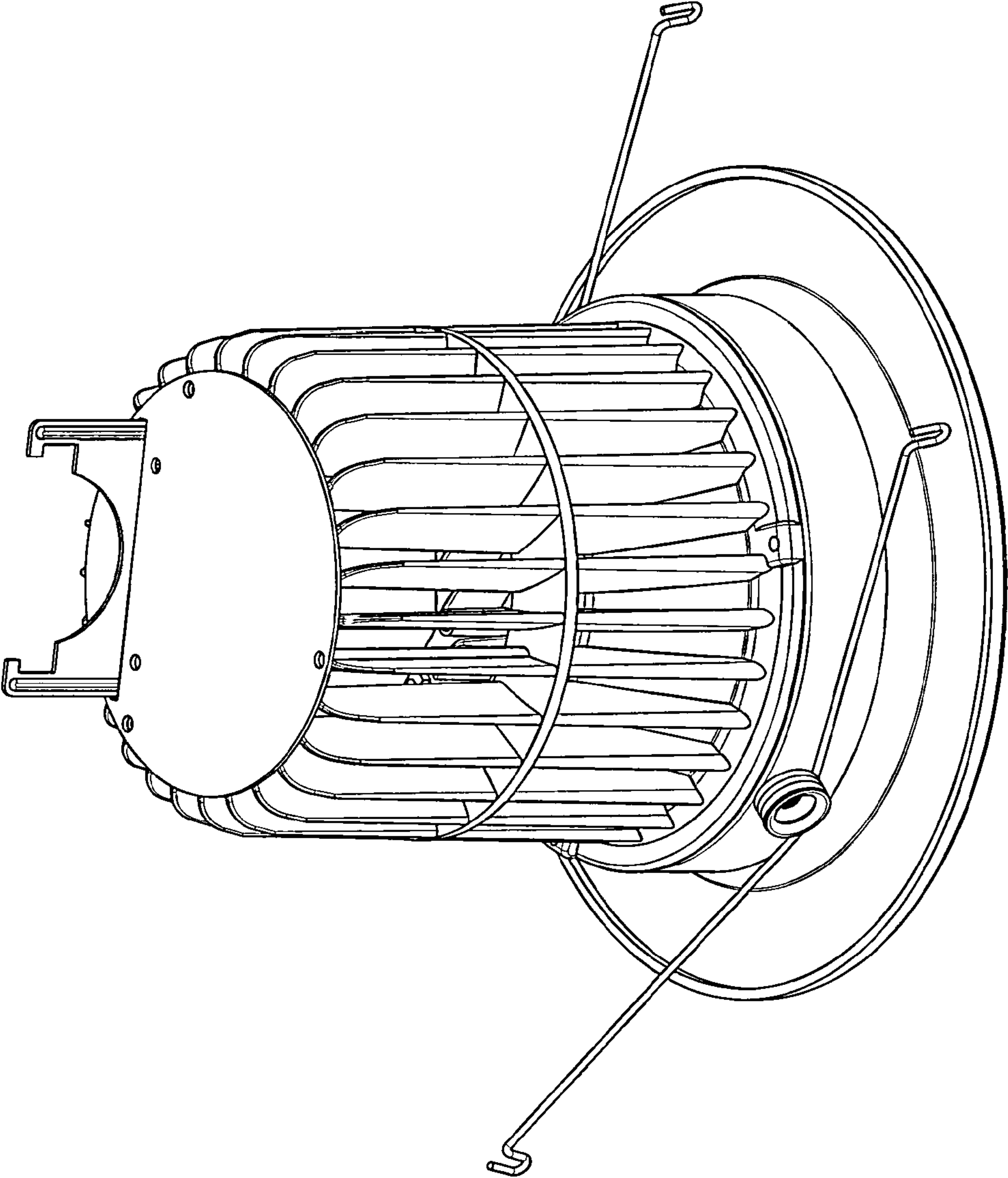


FIG. 1

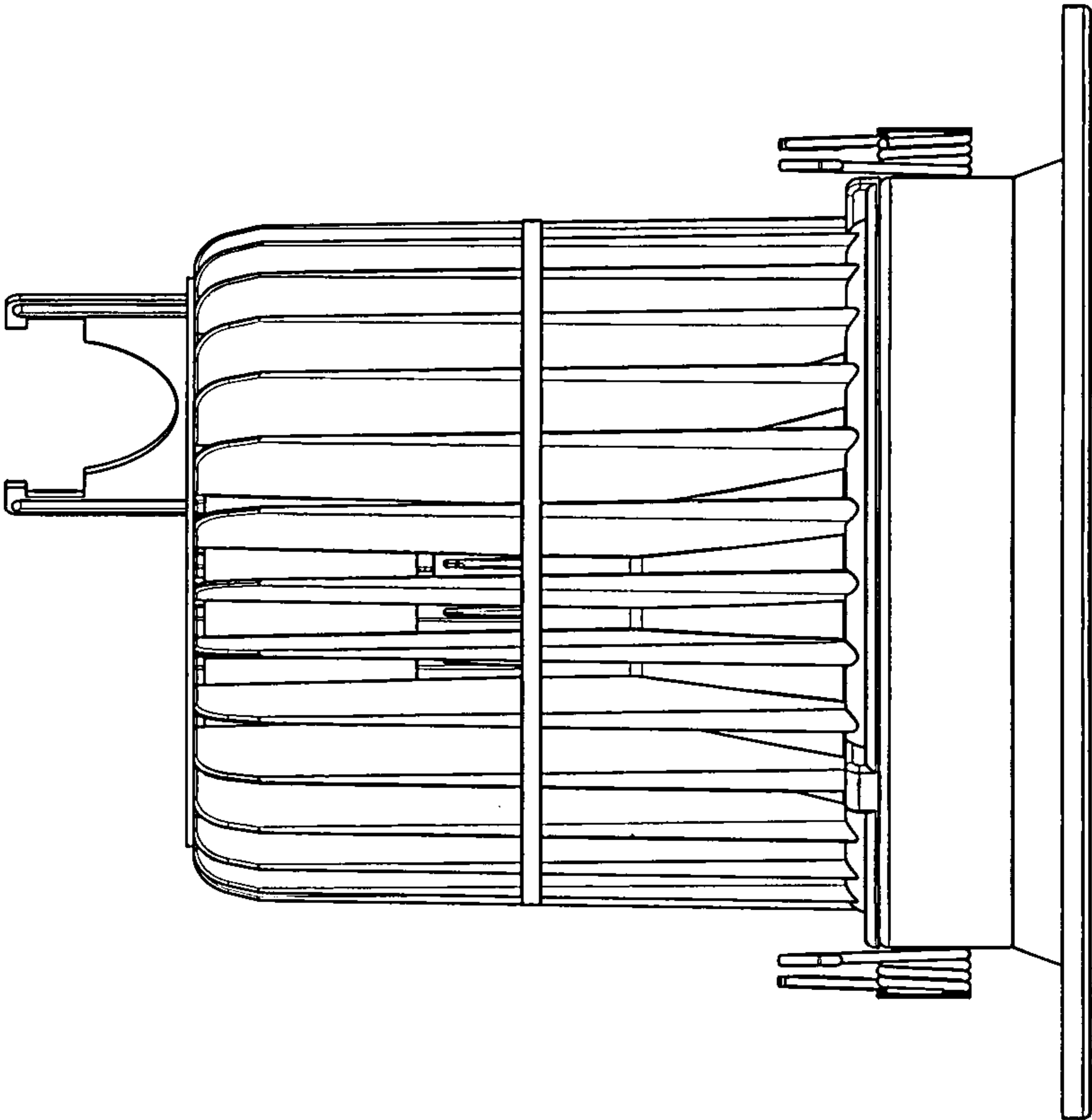


FIG.2

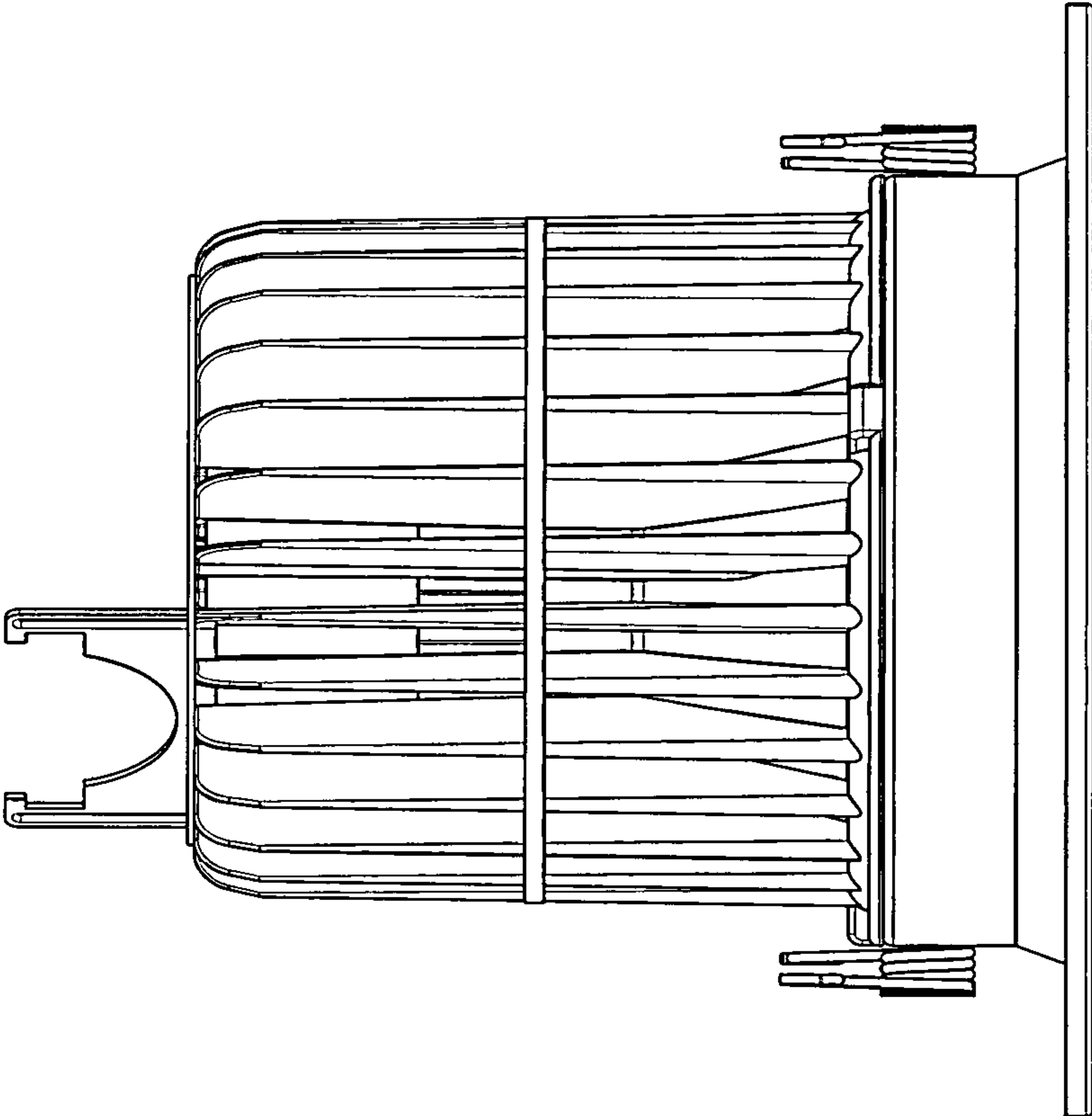


FIG.3

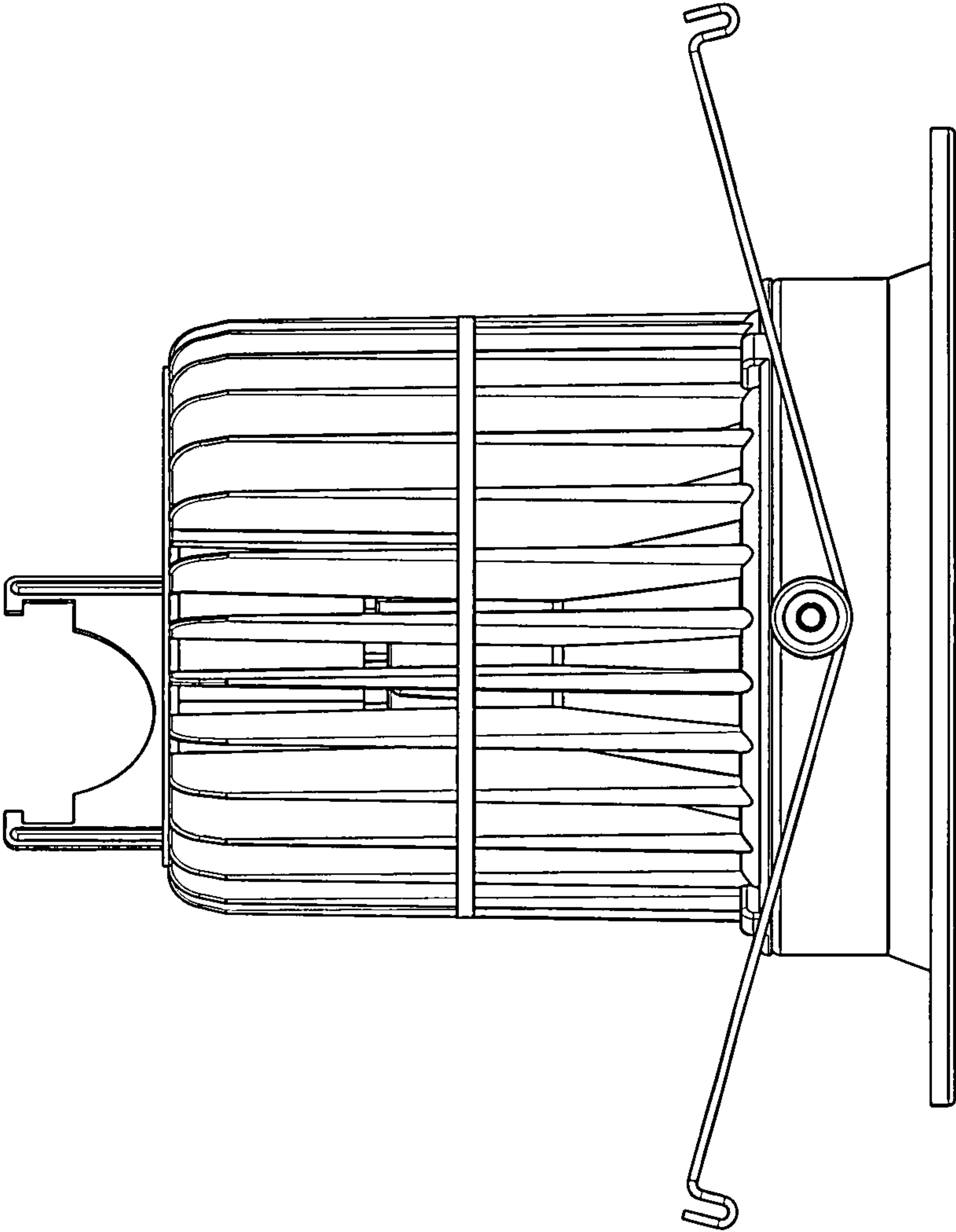


FIG.4

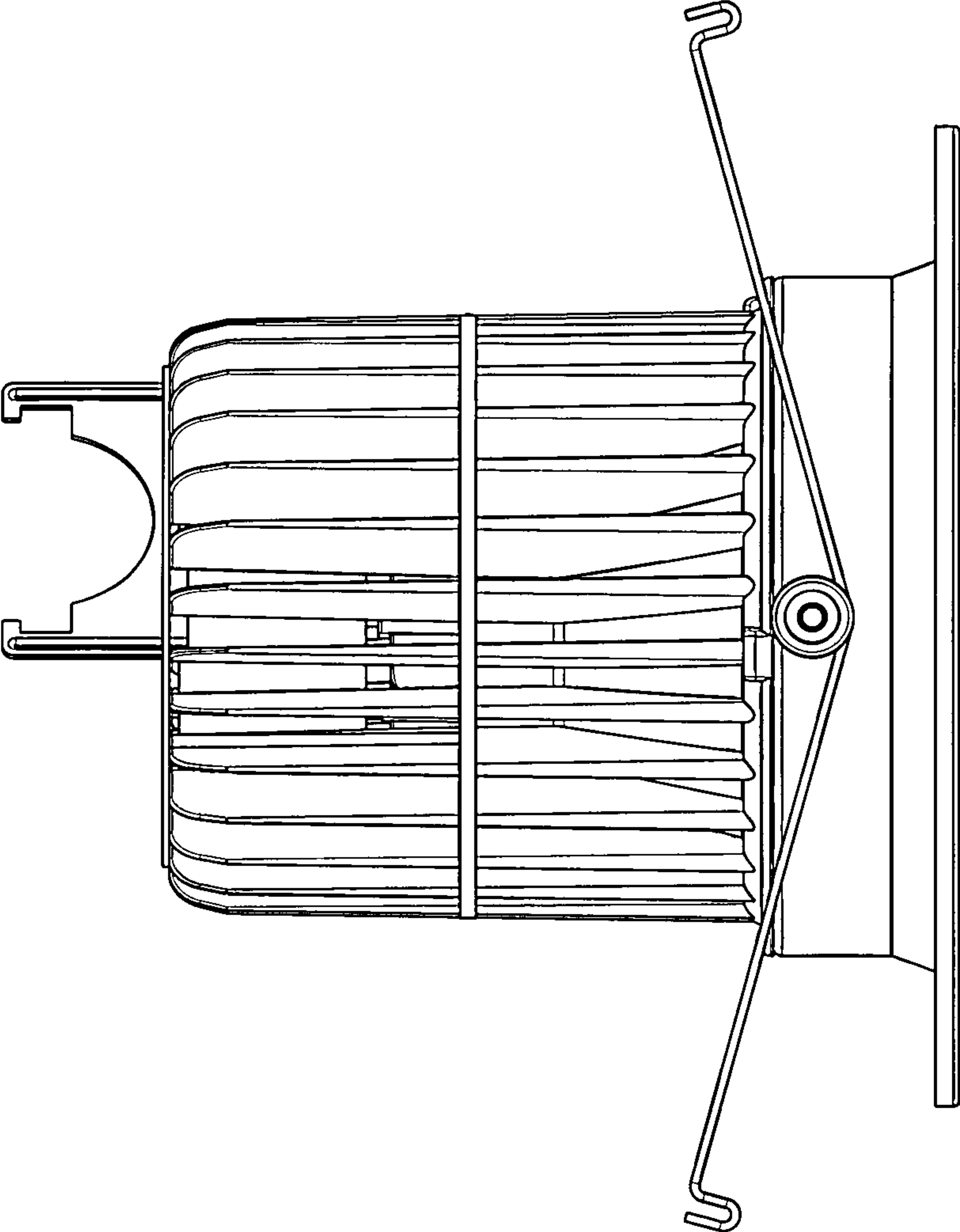


FIG.5



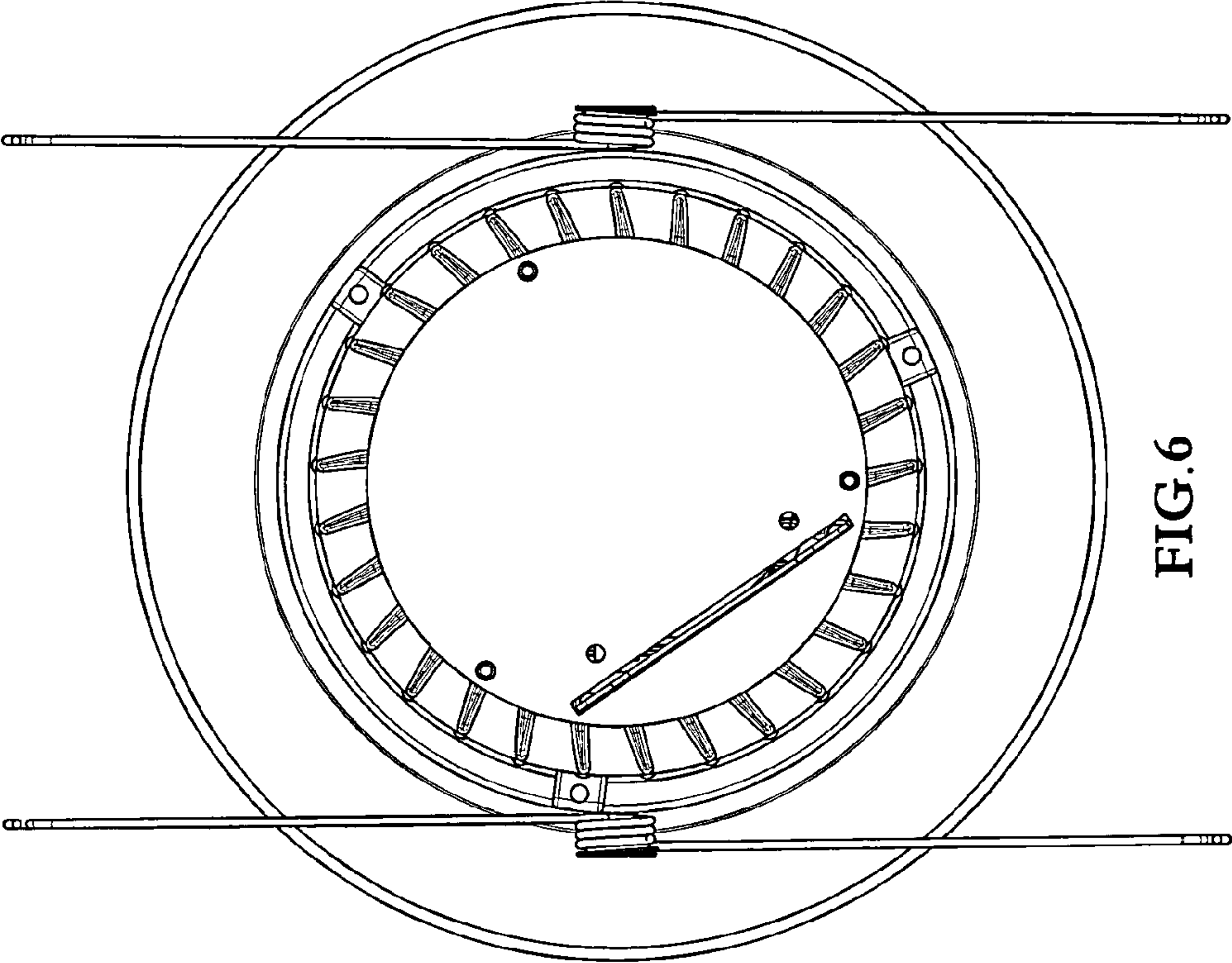


FIG. 6



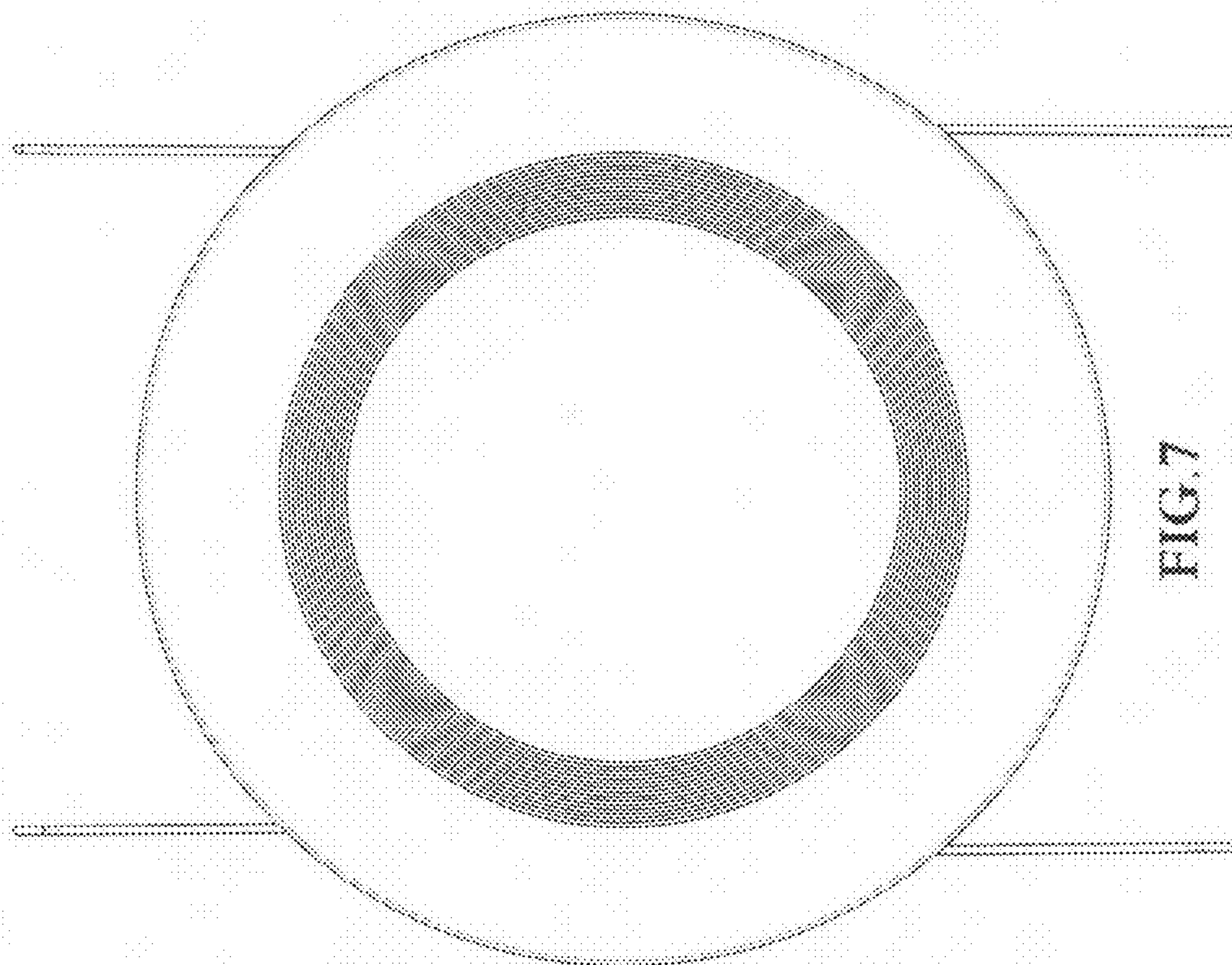
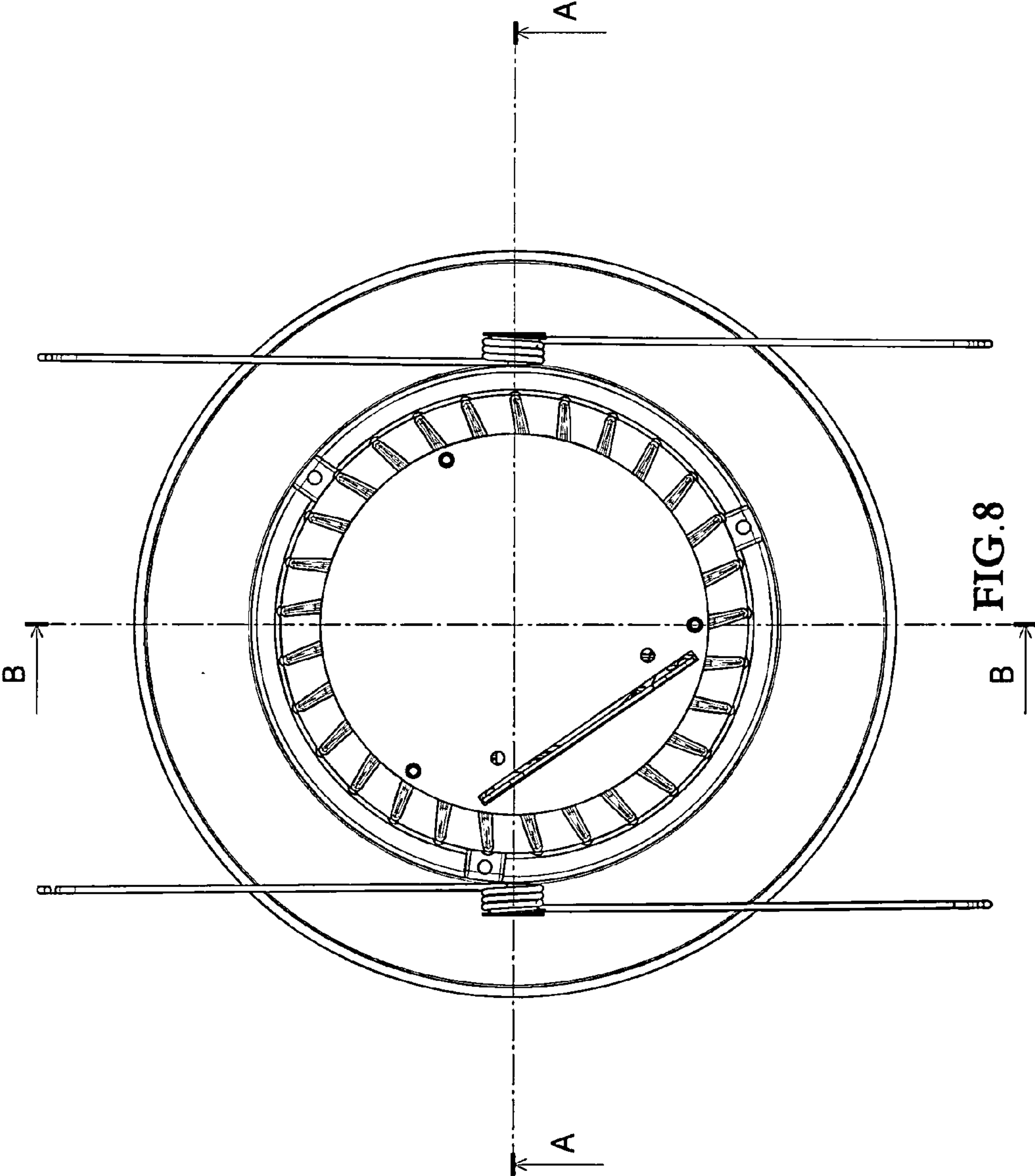


FIG. 7



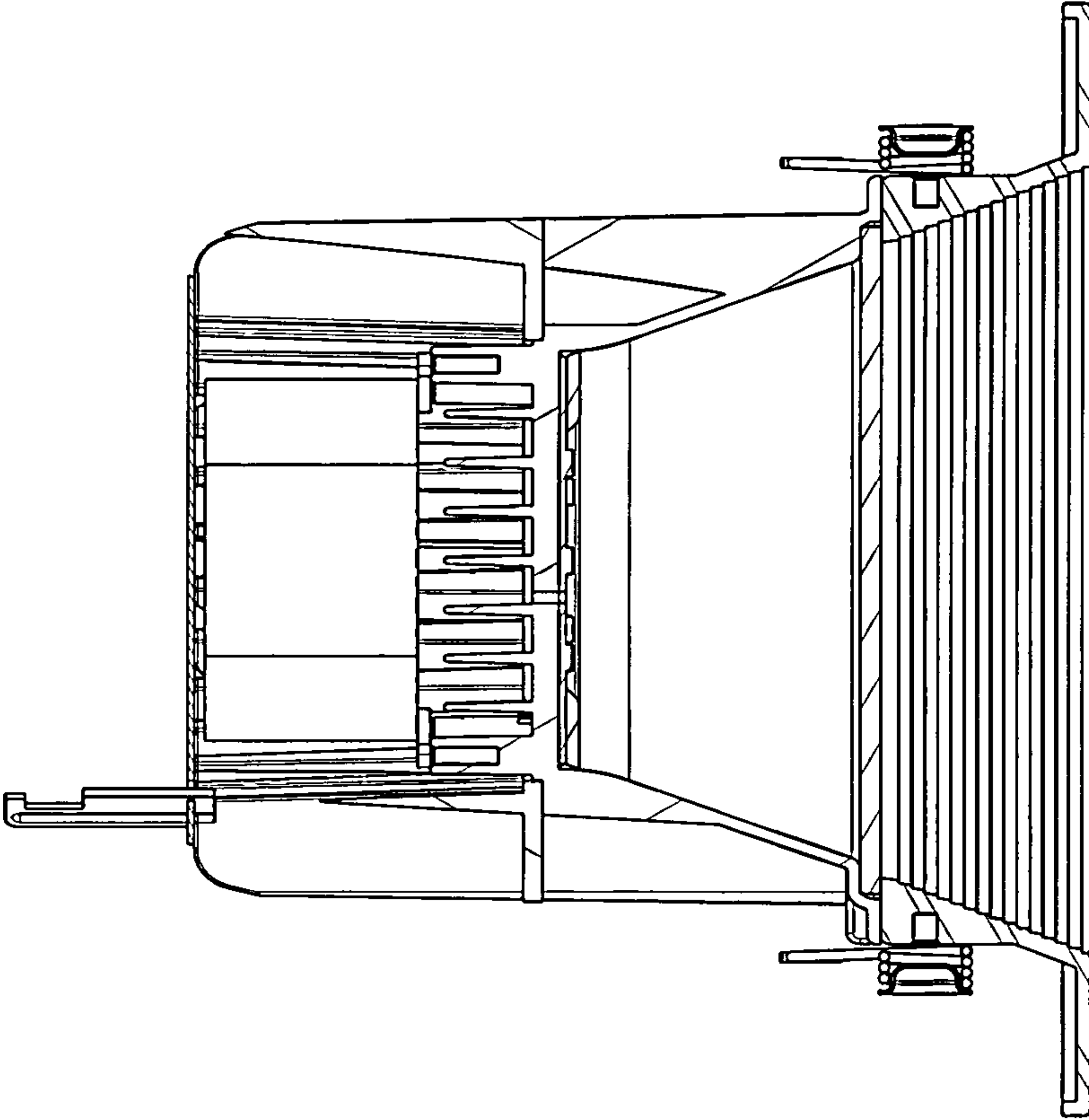


FIG. 9

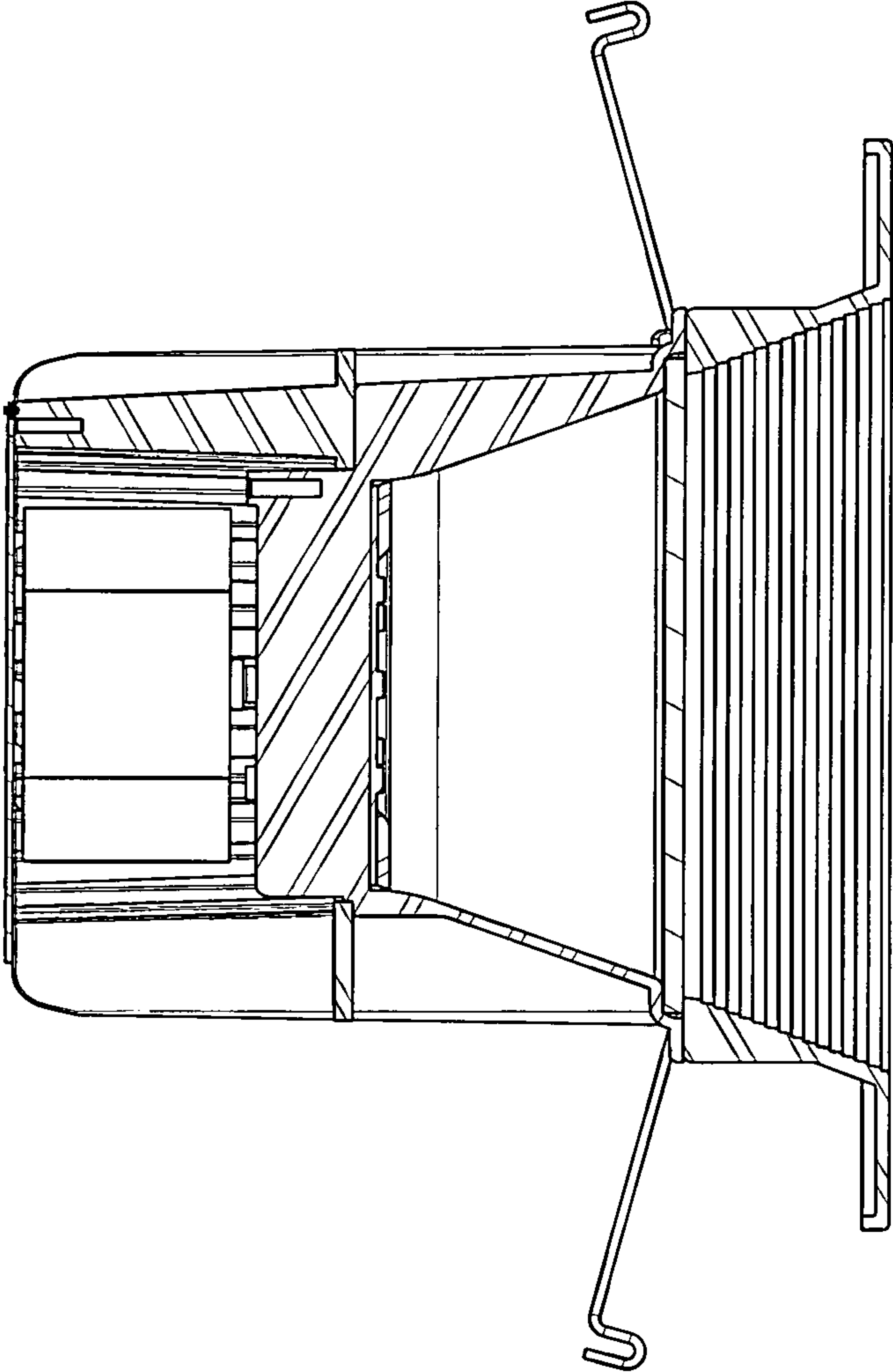


FIG.10

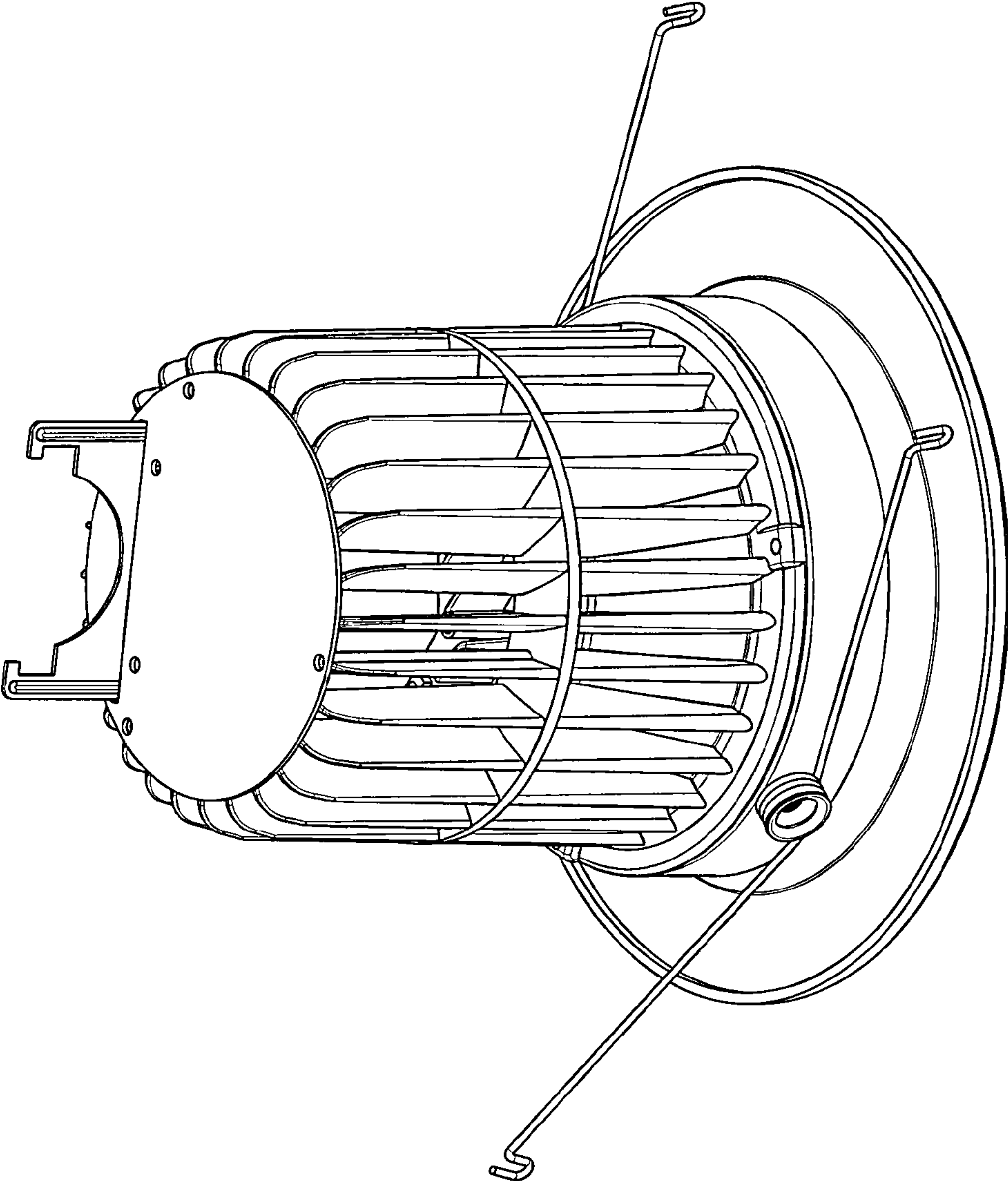


FIG.11

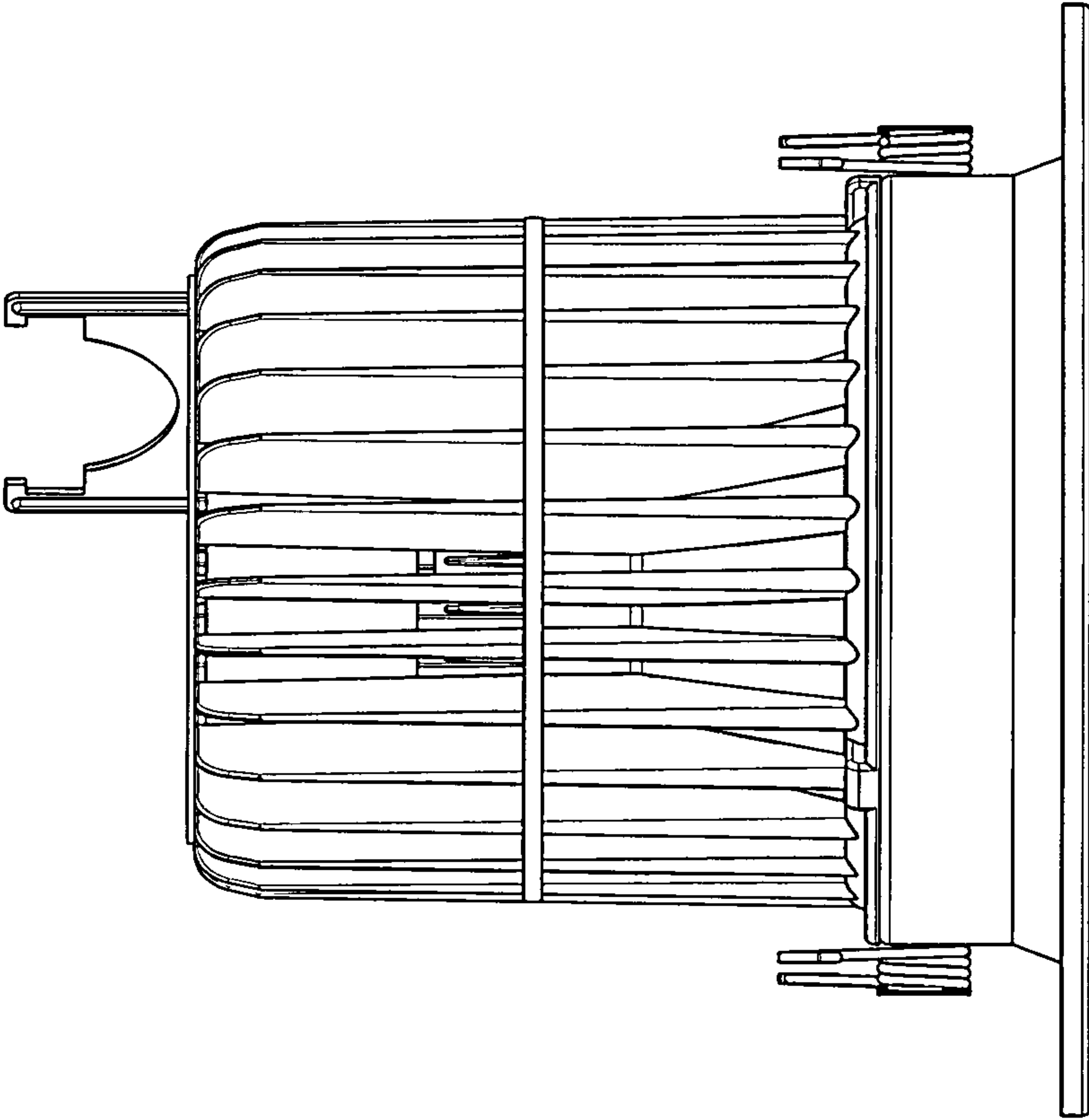


FIG.12



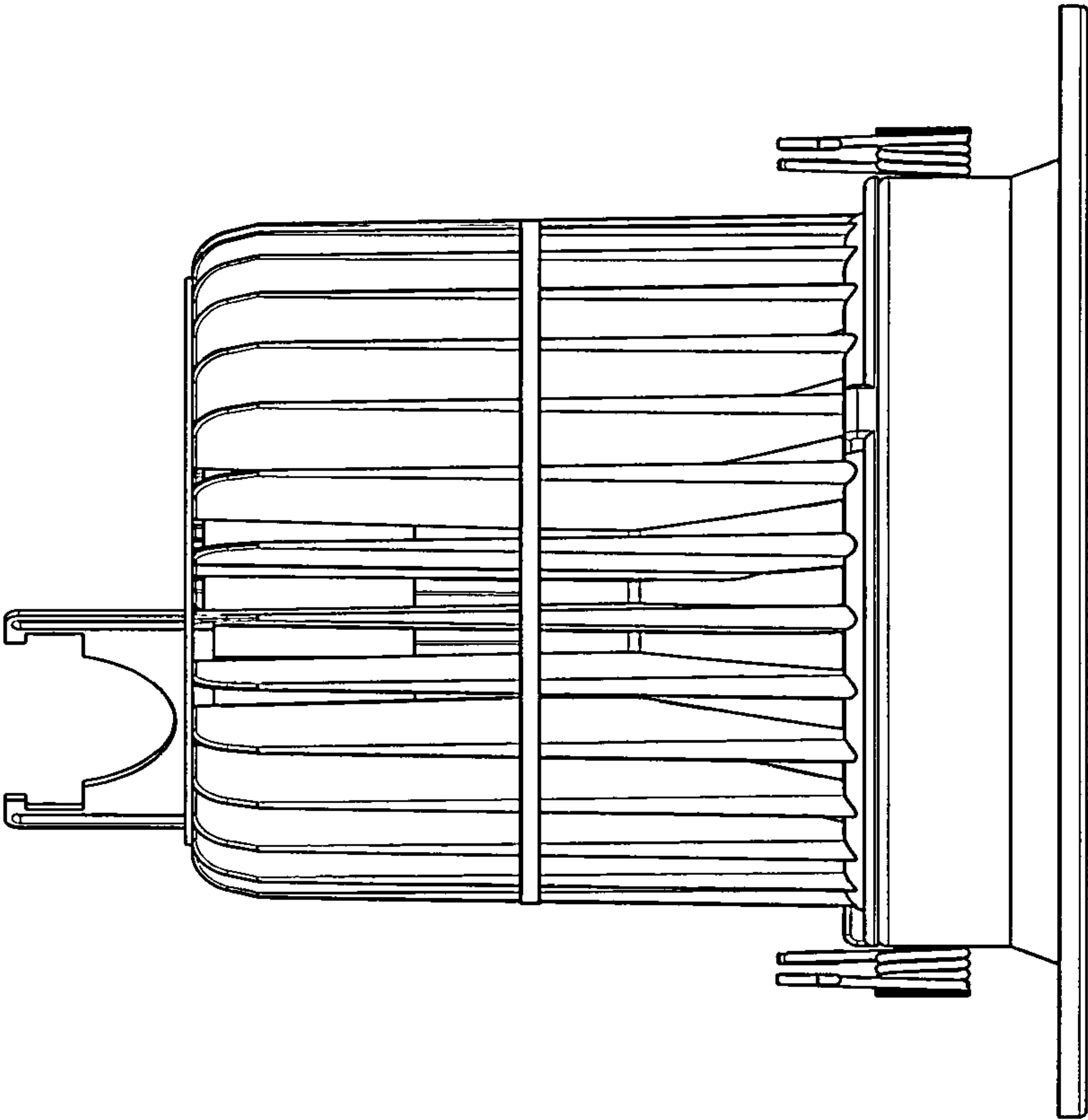


FIG.13

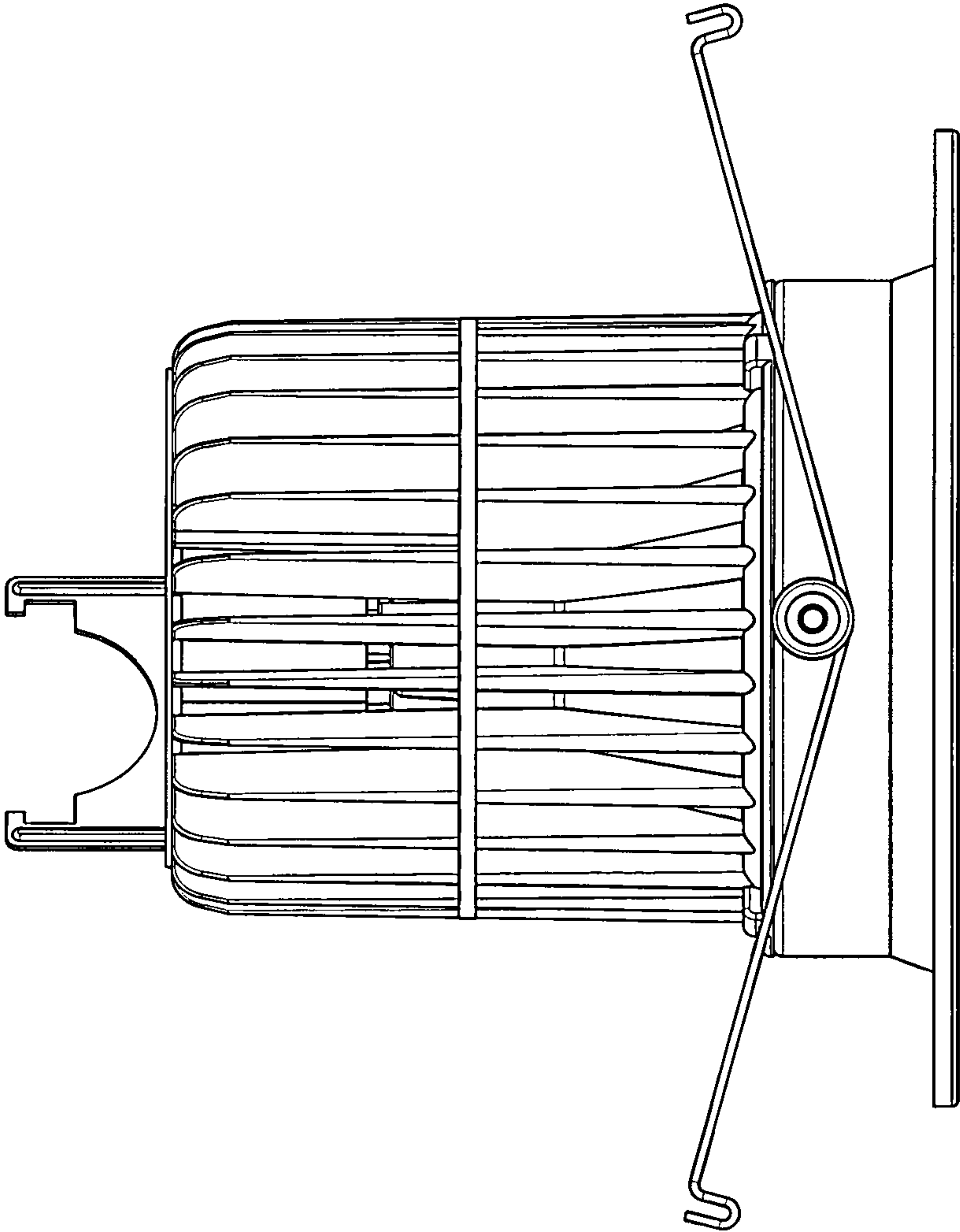


FIG.14

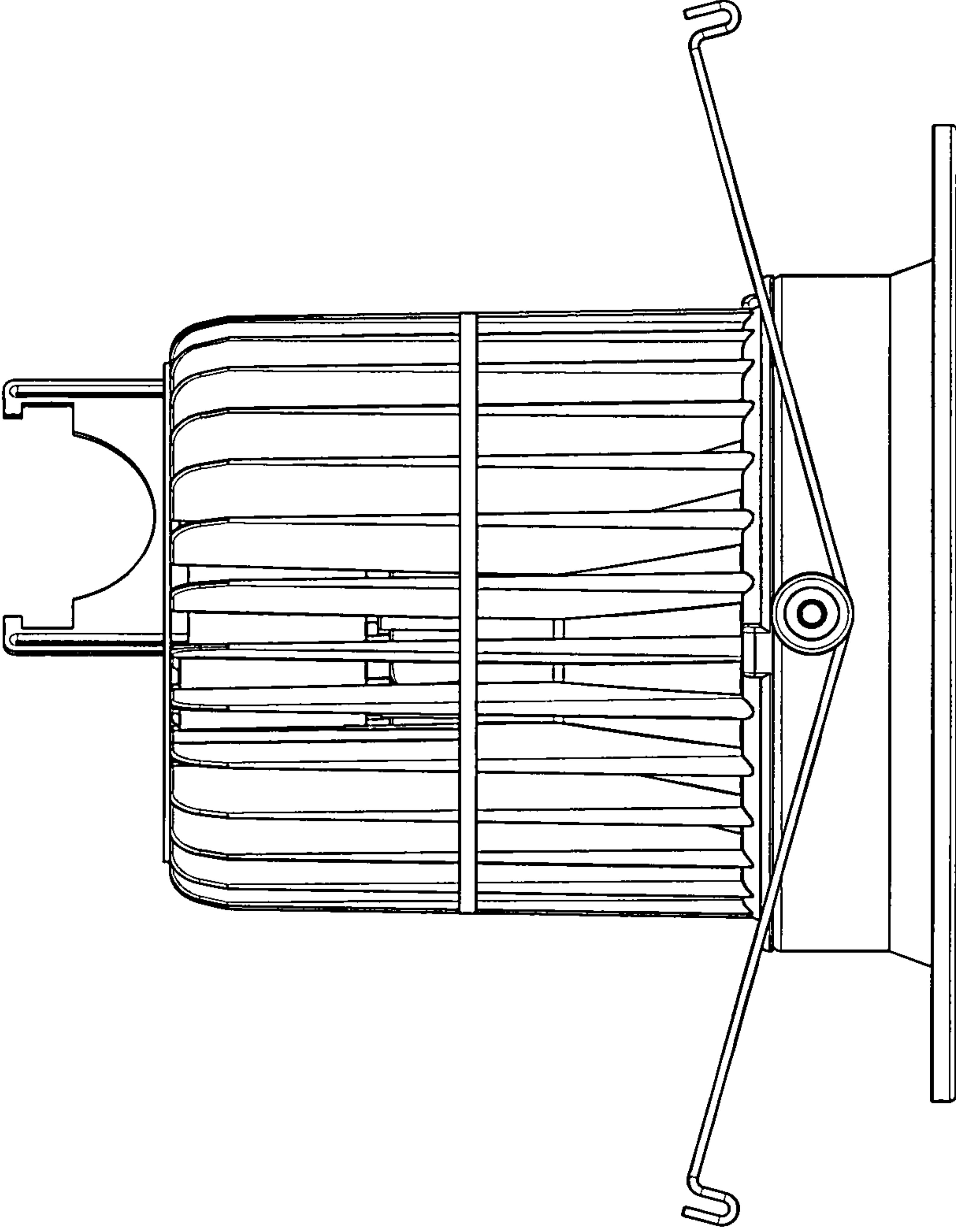


FIG.15

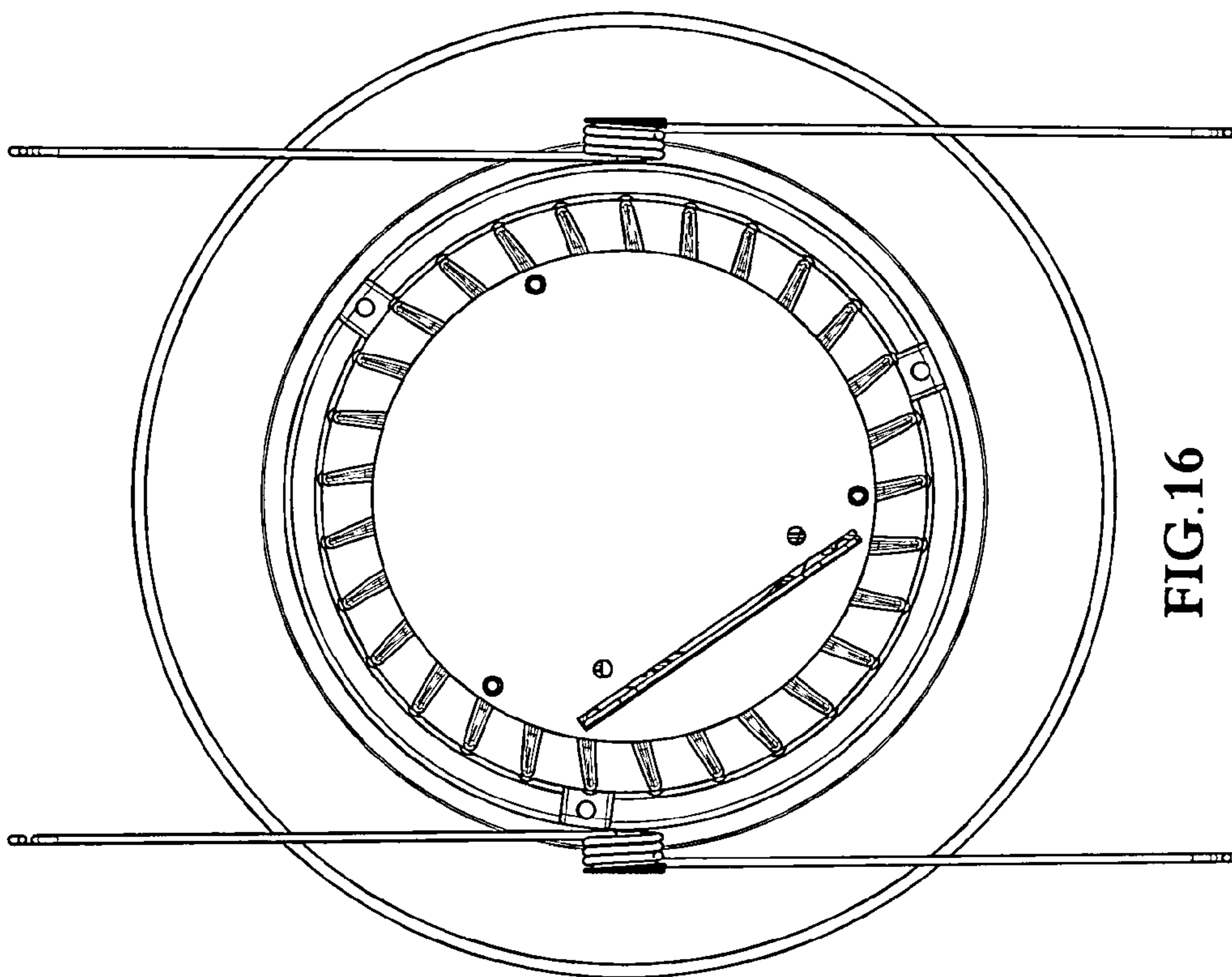


FIG.16

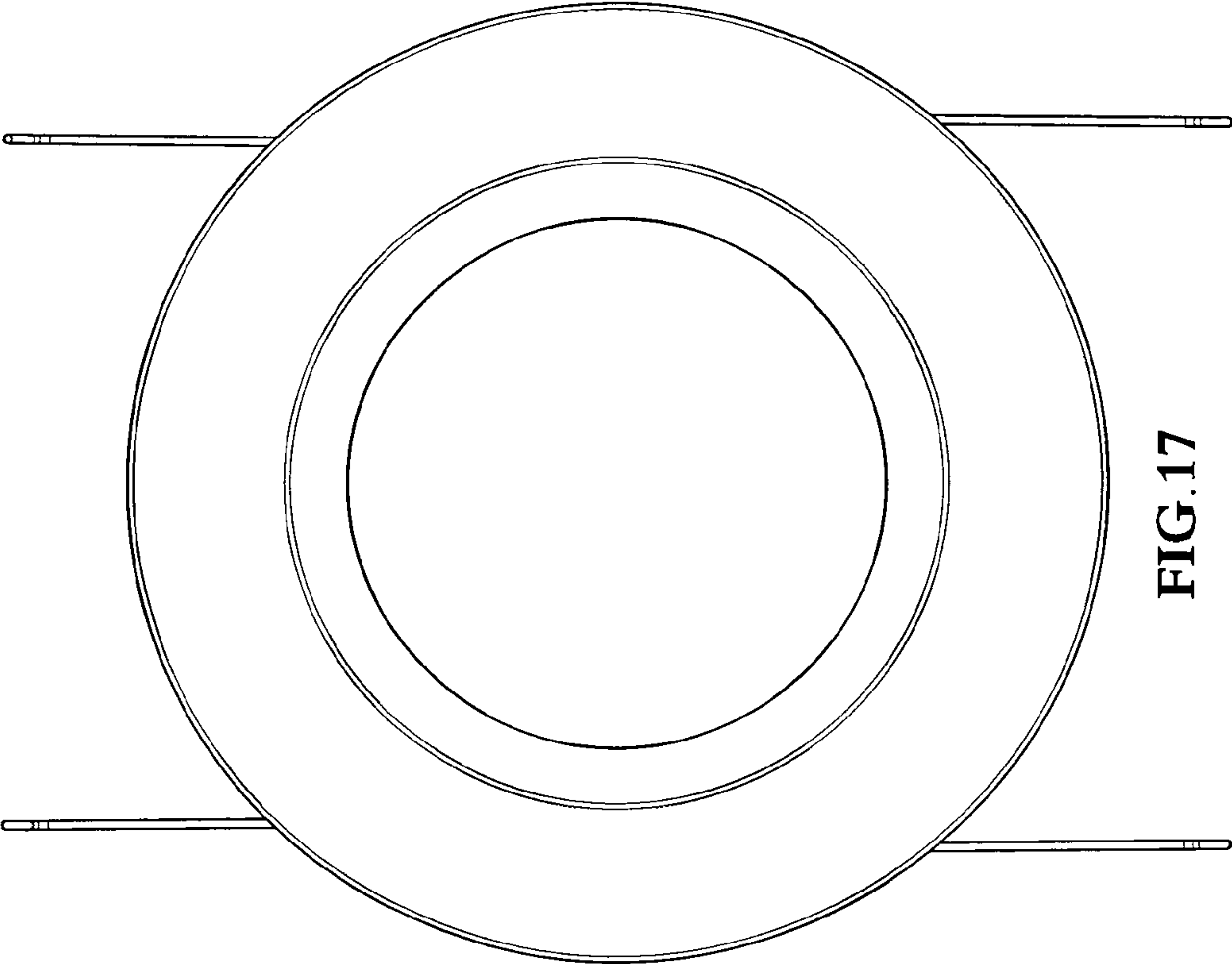


FIG.17

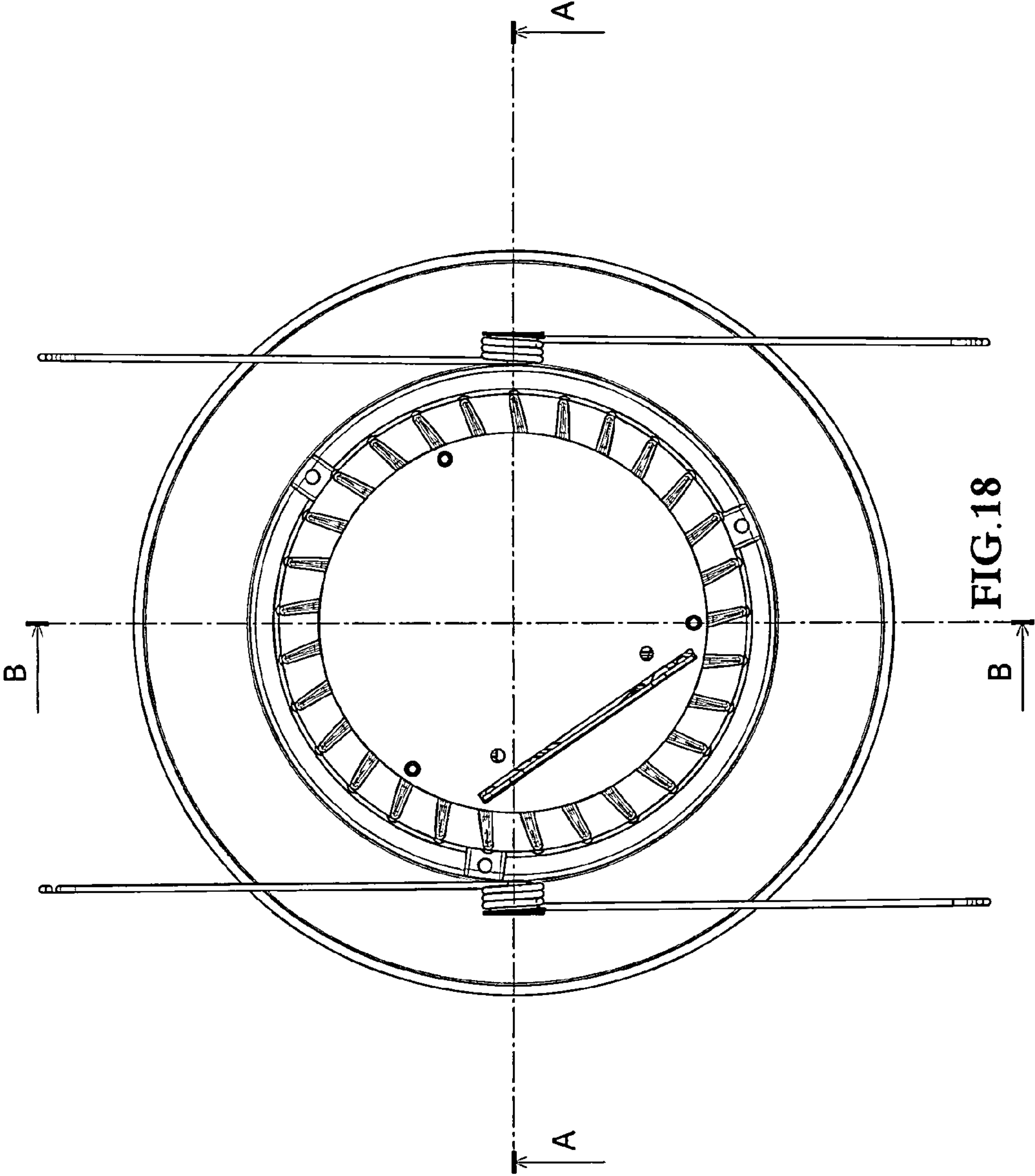


FIG. 18



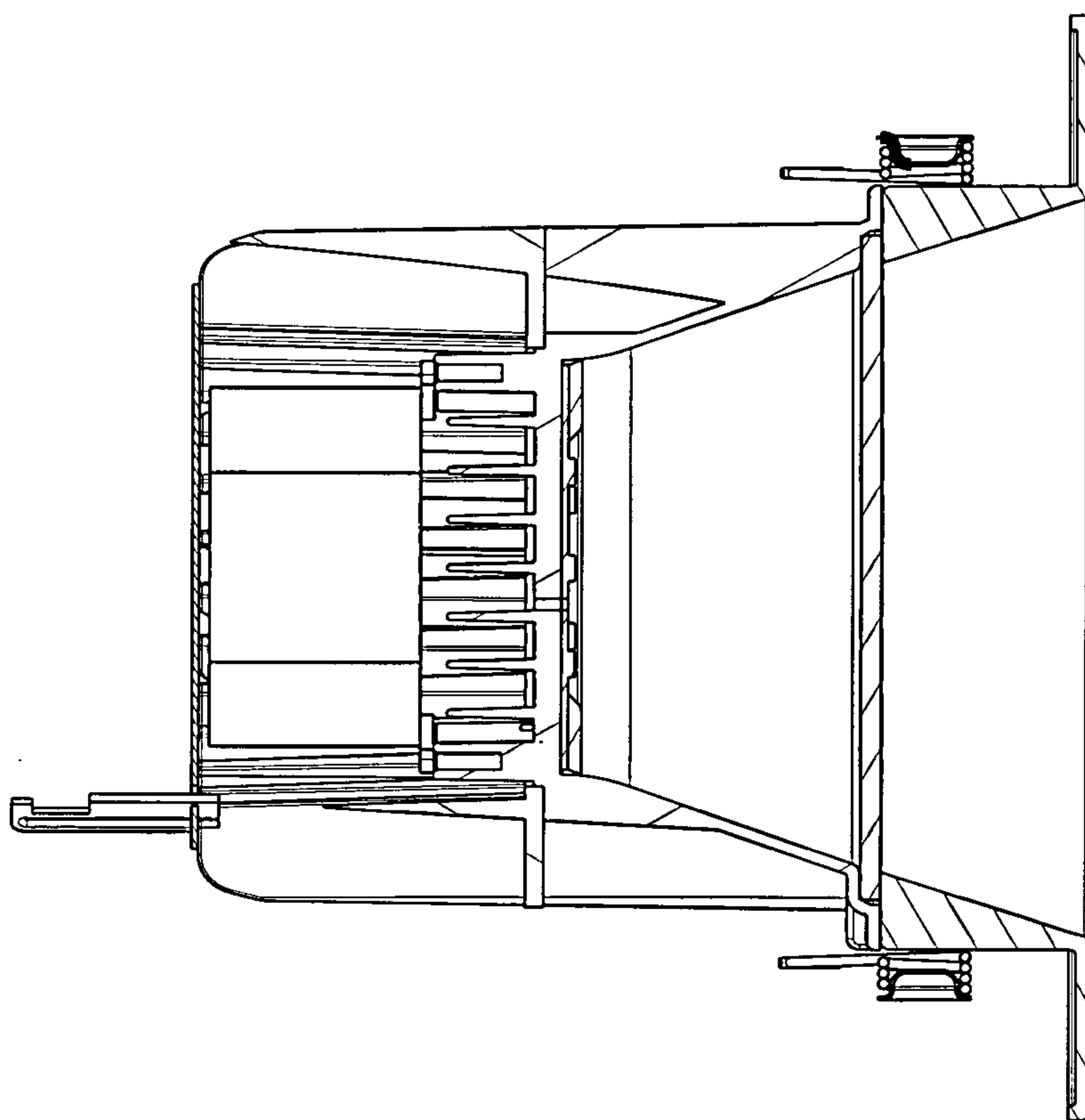


FIG. 19

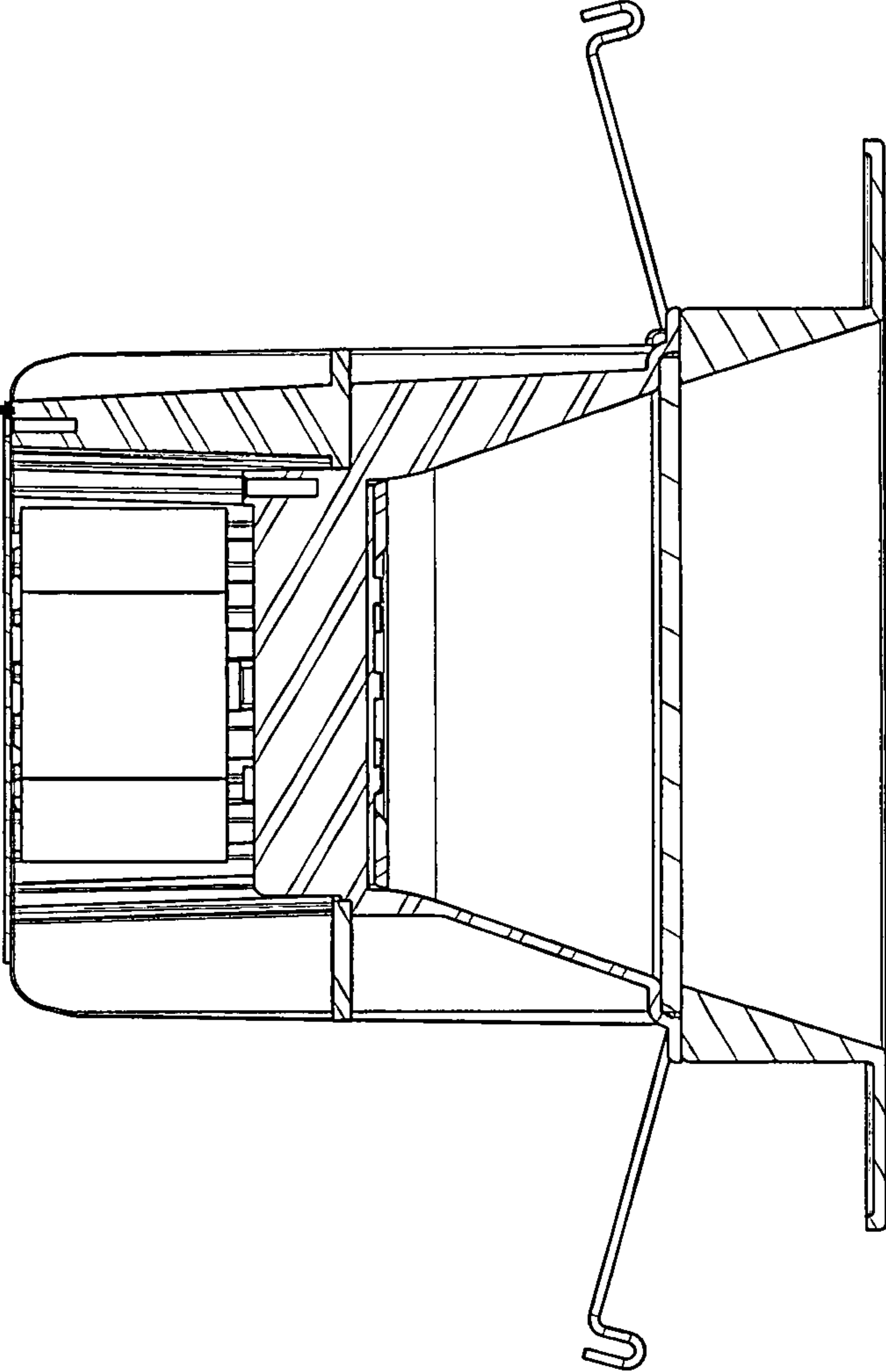


FIG. 20