

US00D690861S

(12) **United States Design Patent**  
**Huang**

(10) **Patent No.:** **US D690,861 S**  
(45) **Date of Patent:** **\*\* Oct. 1, 2013**

(54) **DESK LAMP**

(71) Applicant: **Chien Hsing Huang**, Taipei (TW)

(72) Inventor: **Chien Hsing Huang**, Taipei (TW)

(\*\*) Term: **14 Years**

(21) Appl. No.: **29/440,390**

(22) Filed: **Dec. 20, 2012**

(51) **LOC (9) Cl.** ..... **26-03**

(52) **U.S. Cl.**  
USPC ..... **D26/65**

(58) **Field of Classification Search**  
USPC ..... D26/24, 61-67, 93, 102, 104-105,  
D26/108-10, 107; 362/509, 516, 523, 186,  
362/217, 255, 257, 277, 317, 319, 351, 354,  
362/355, 357, 358, 362, 382, 410, 413, 417,  
362/806

See application file for complete search history.

(56) **References Cited**

**U.S. PATENT DOCUMENTS**

D330,266 S \* 10/1992 Lin ..... D26/65  
D523,164 S \* 6/2006 Ng ..... D26/65  
D527,132 S \* 8/2006 Citterio ..... D26/65

D603,993 S \* 11/2009 Sabernig ..... D26/65  
D620,165 S \* 7/2010 Huang ..... D26/63  
D622,885 S \* 8/2010 Ng et al. .... D26/65  
D628,729 S \* 12/2010 Citterio ..... D26/65  
D635,707 S \* 4/2011 Ng et al. .... D26/65  
D640,818 S \* 6/2011 Ng et al. .... D26/65  
D662,639 S \* 6/2012 Ng et al. .... D26/65  
D663,062 S \* 7/2012 Ng et al. .... D26/65  
D667,982 S \* 9/2012 Meda et al. .... D26/65

\* cited by examiner

*Primary Examiner* — Brian N Vinson

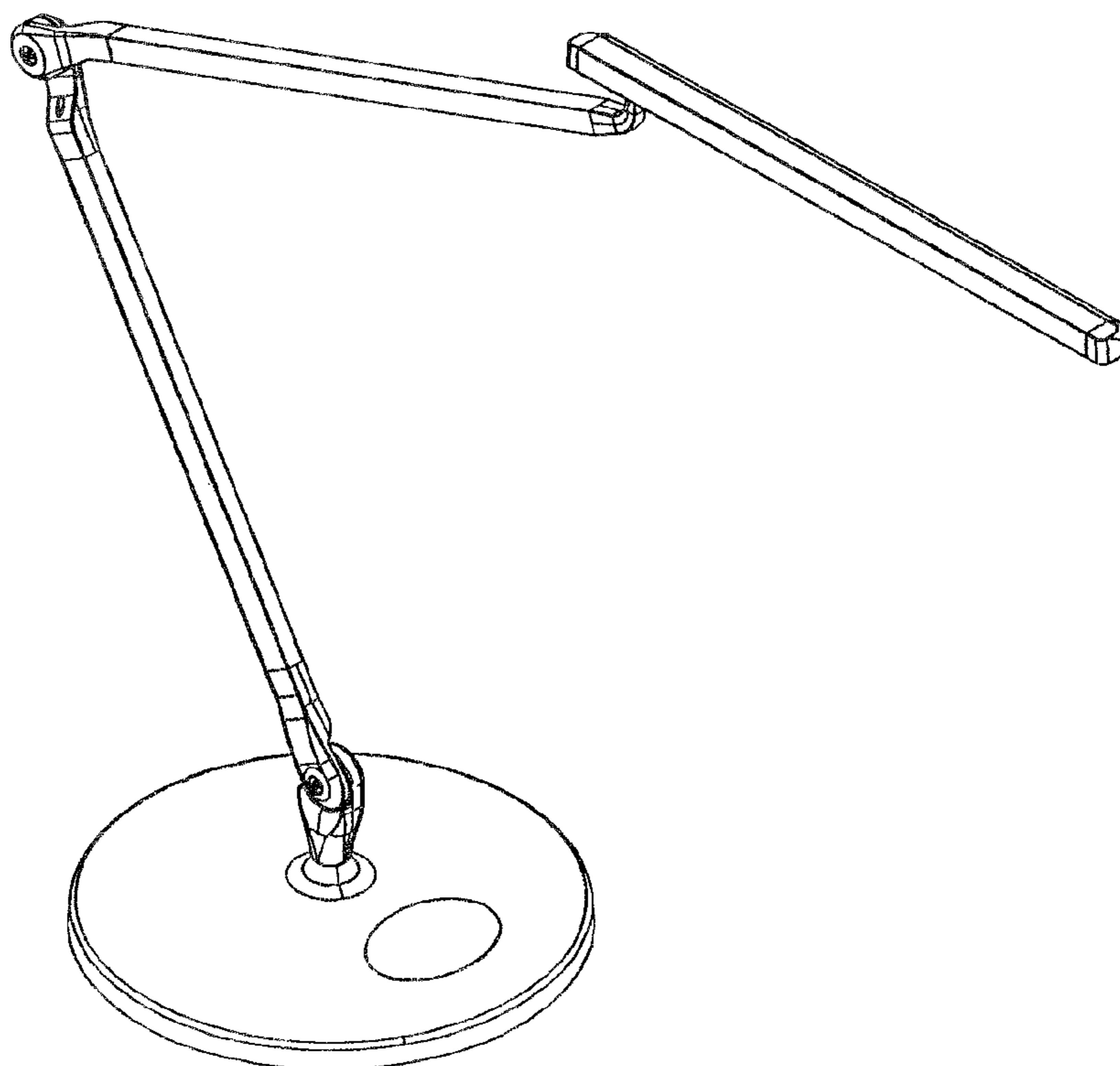
(57) **CLAIM**

The ornamental design for a desk lamp, as shown and described.

**DESCRIPTION**

FIG. 1 is a perspective view of a desk lamp showing my new design.  
FIG. 2 is a front elevational view thereof.  
FIG. 3 is a rear elevational view thereof.  
FIG. 4 is a left side view thereof;  
FIG. 5 is a right side view thereof.  
FIG. 6 is a top plan view thereof; and,  
FIG. 7 is a bottom plan view thereof.

**1 Claim, 7 Drawing Sheets**



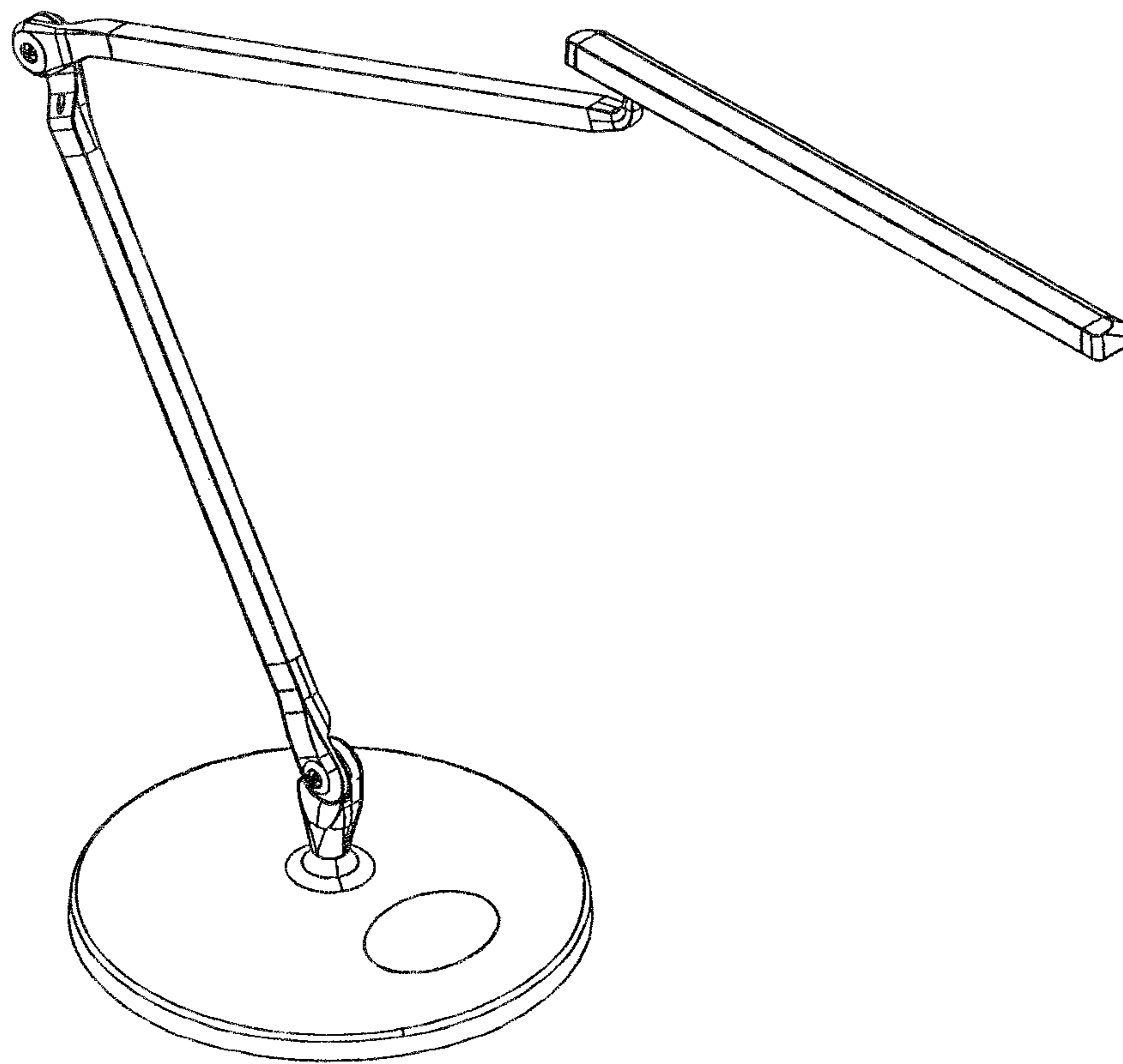


Fig. 1

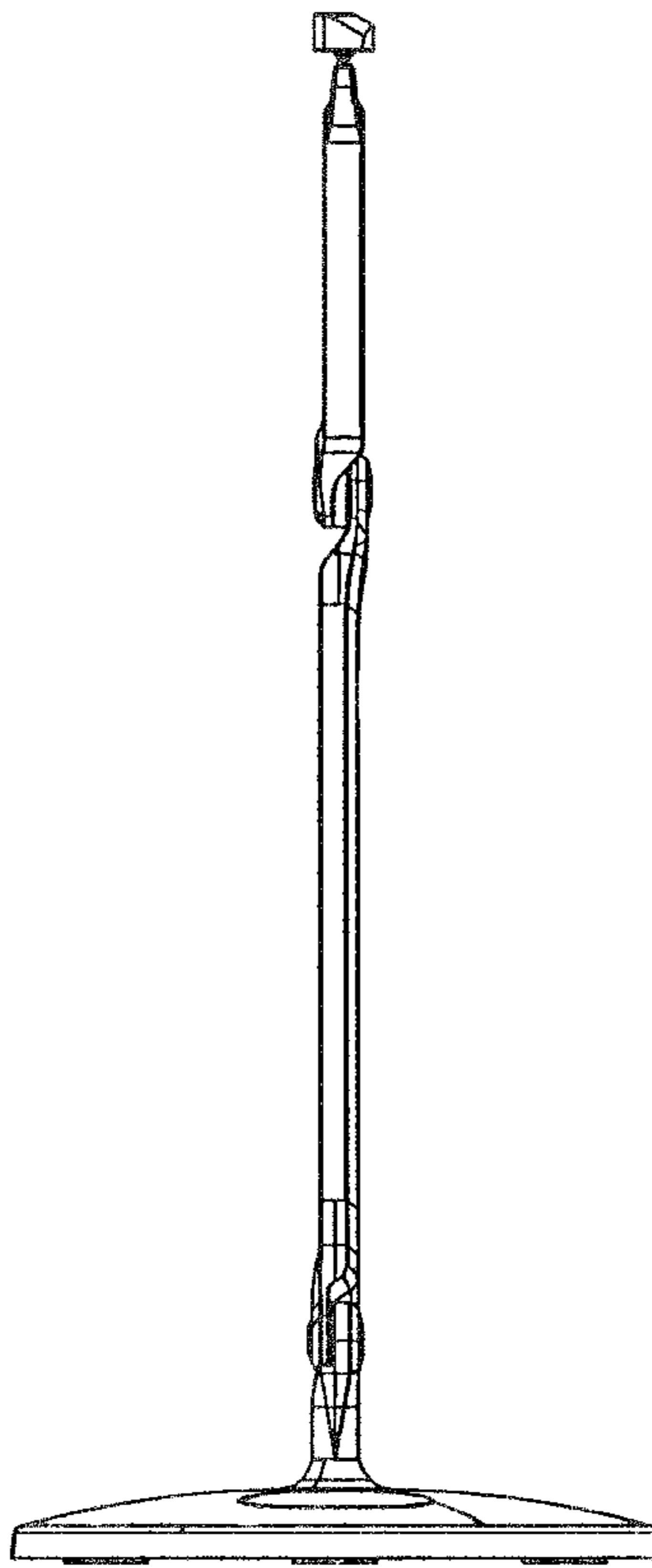


Fig. 2

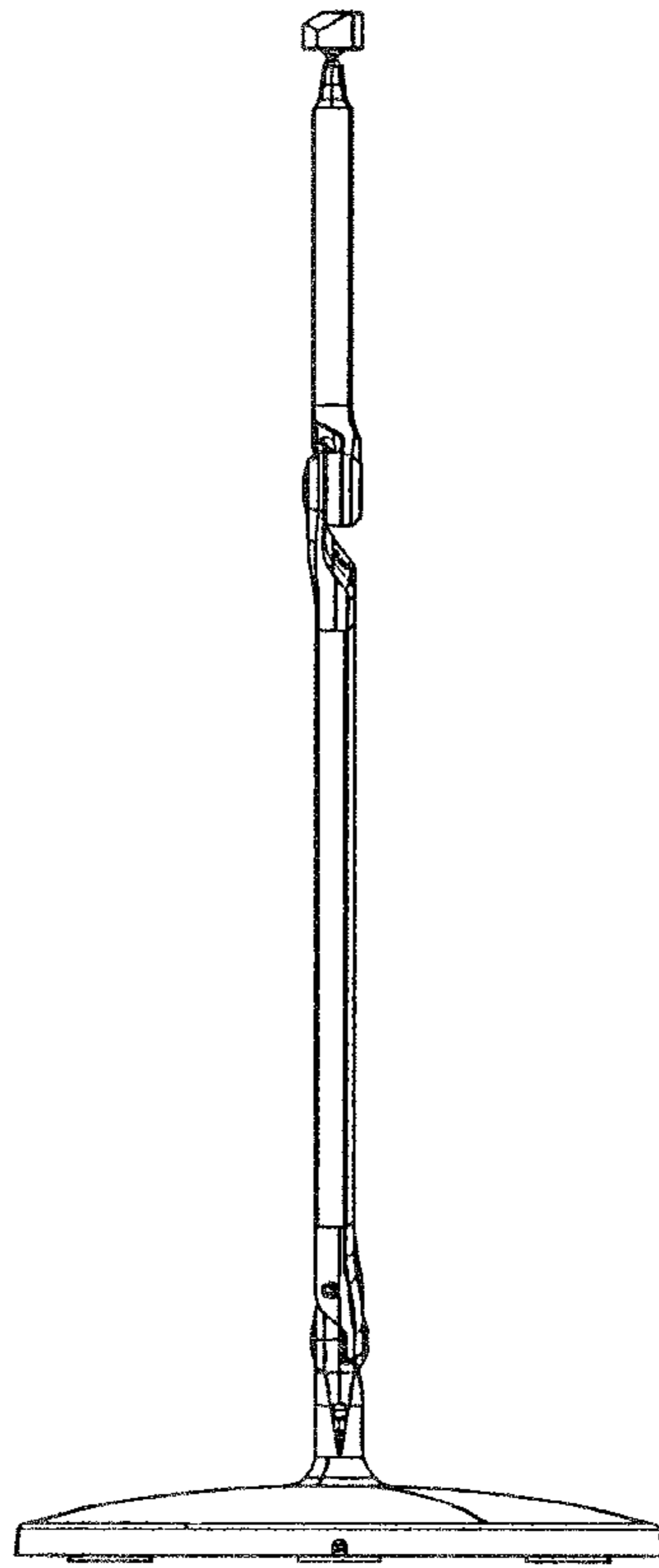


Fig. 3

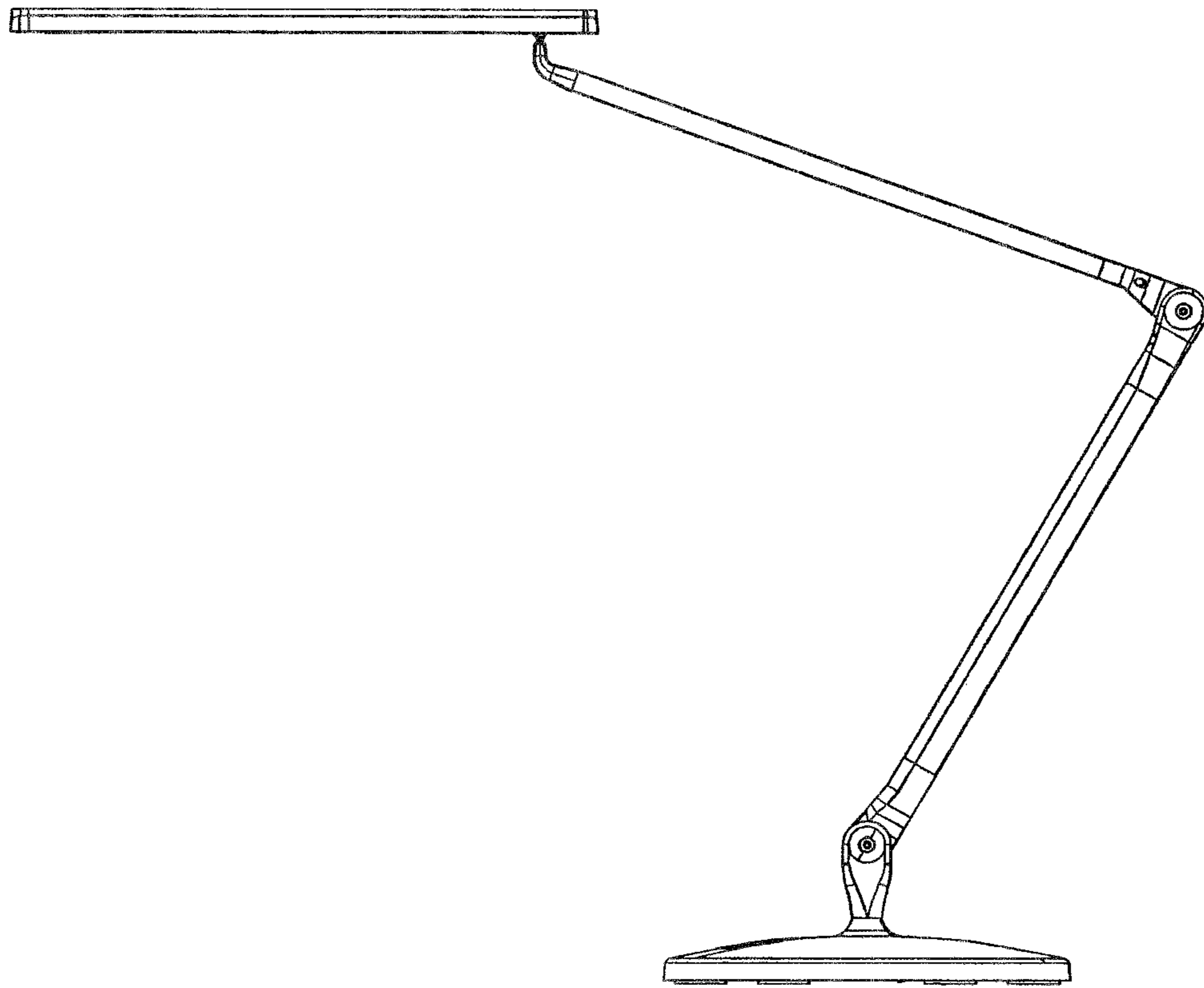


Fig. 4

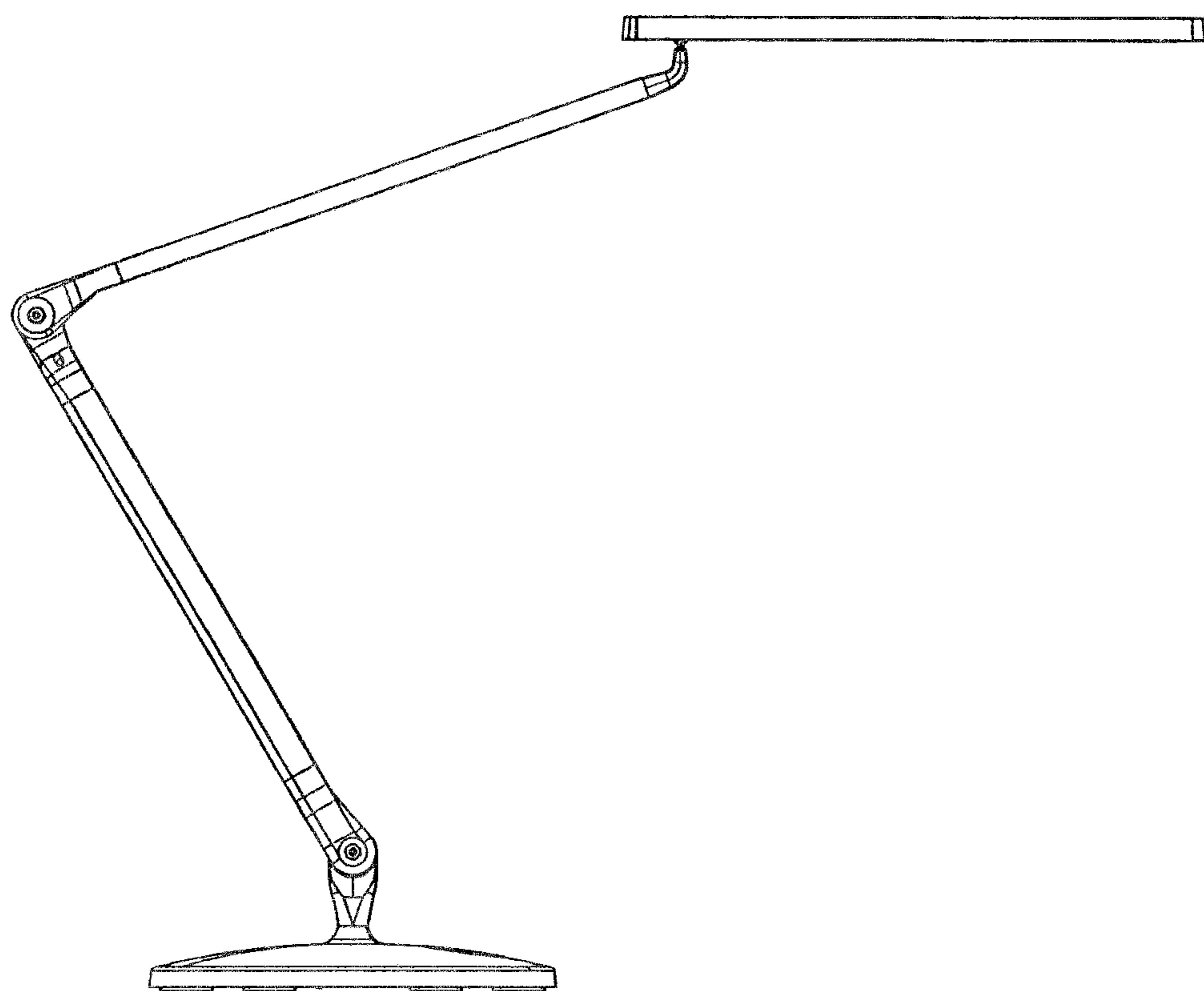


Fig. 5

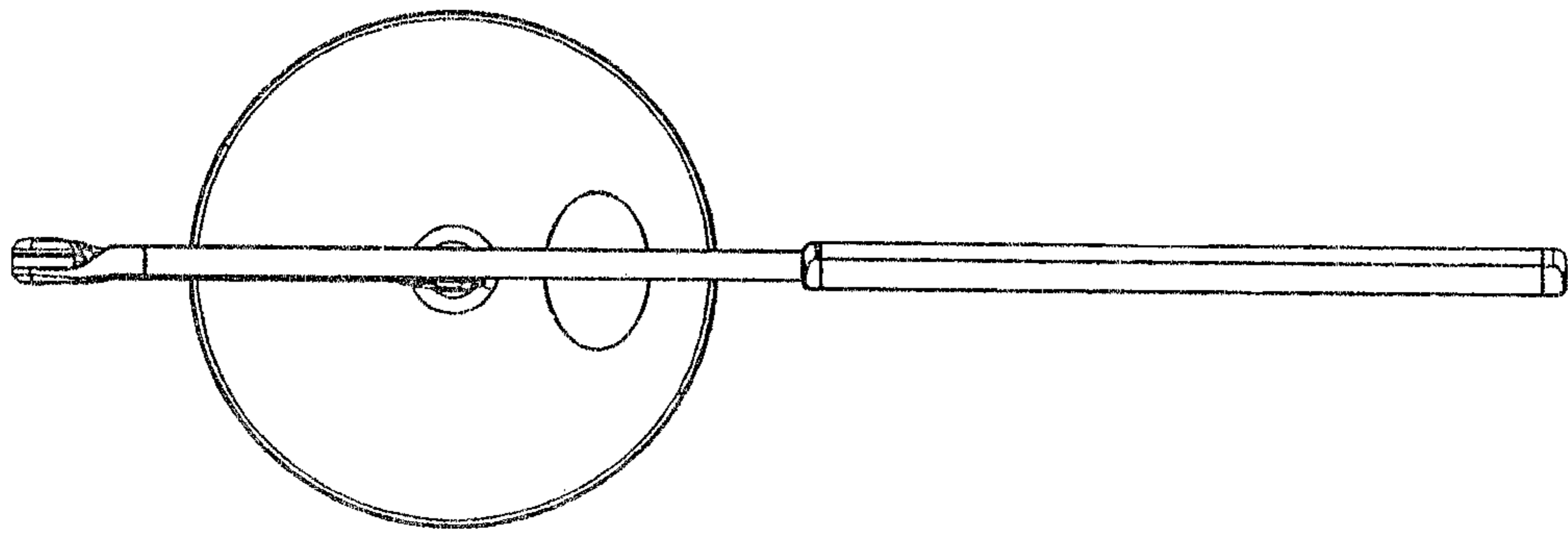


Fig. 6

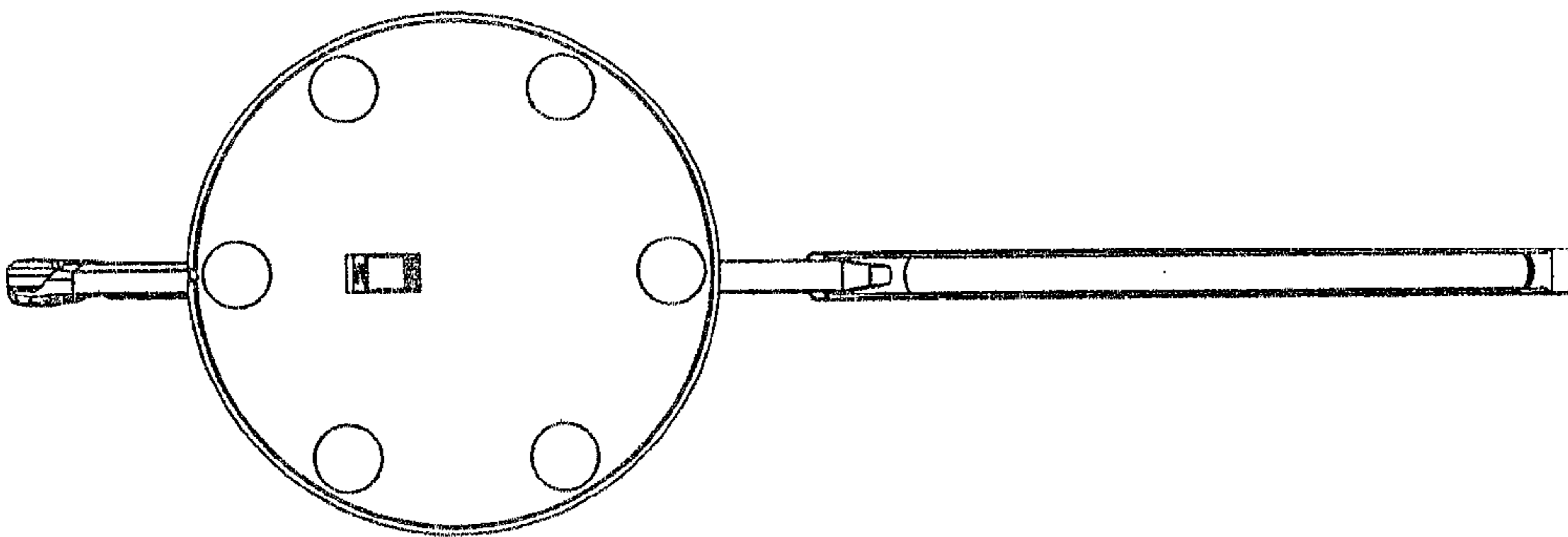


Fig. 7