



US00D690860S

(12) **United States Design Patent**  
**Citterio**

(10) **Patent No.:** **US D690,860 S**  
(45) **Date of Patent:** **\*\* Oct. 1, 2013**

(54) **LIGHTING DEVICE**

(75) Inventor: **Antonio Citterio**, Brescia (IT)

(73) Assignee: **FLOS S.p.A.**, Brescia (IT)

(\*\*) Term: **14 Years**

(21) Appl. No.: **29/404,774**

(22) Filed: **Oct. 25, 2011**

(30) **Foreign Application Priority Data**

Sep. 12, 2011 (IT) ..... BS2011O0026

(51) **LOC (9) Cl.** ..... **26-03**

(52) **U.S. Cl.**  
USPC ..... **D26/65**

(58) **Field of Classification Search**  
USPC ..... D26/60–66, 93, 106–109; 362/157,  
362/171–178, 401, 800, 806, 198, 289, 311.02,  
362/410–418, 270–288, 427, 449, 190  
See application file for complete search history.

(56) **References Cited**

**U.S. PATENT DOCUMENTS**

D441,476 S *	5/2001	Mendelsohn et al.	.....	D26/63
D467,378 S *	12/2002	Wang	.....	D26/65
D500,156 S *	12/2004	Kao	.....	D26/61
D527,132 S *	8/2006	Citterio	.....	D26/65
D579,597 S *	10/2008	Ng	.....	D26/61

D623,332 S *	9/2010	Huang	.....	D26/65
D624,226 S *	9/2010	Huang	.....	D26/65
D628,729 S *	12/2010	Citterio	.....	D26/65
D667,982 S *	9/2012	Meda et al.	.....	D26/65

\* cited by examiner

*Primary Examiner* — Brian N Vinson

(74) *Attorney, Agent, or Firm* — Harness, Dickey & Pierce, PLC

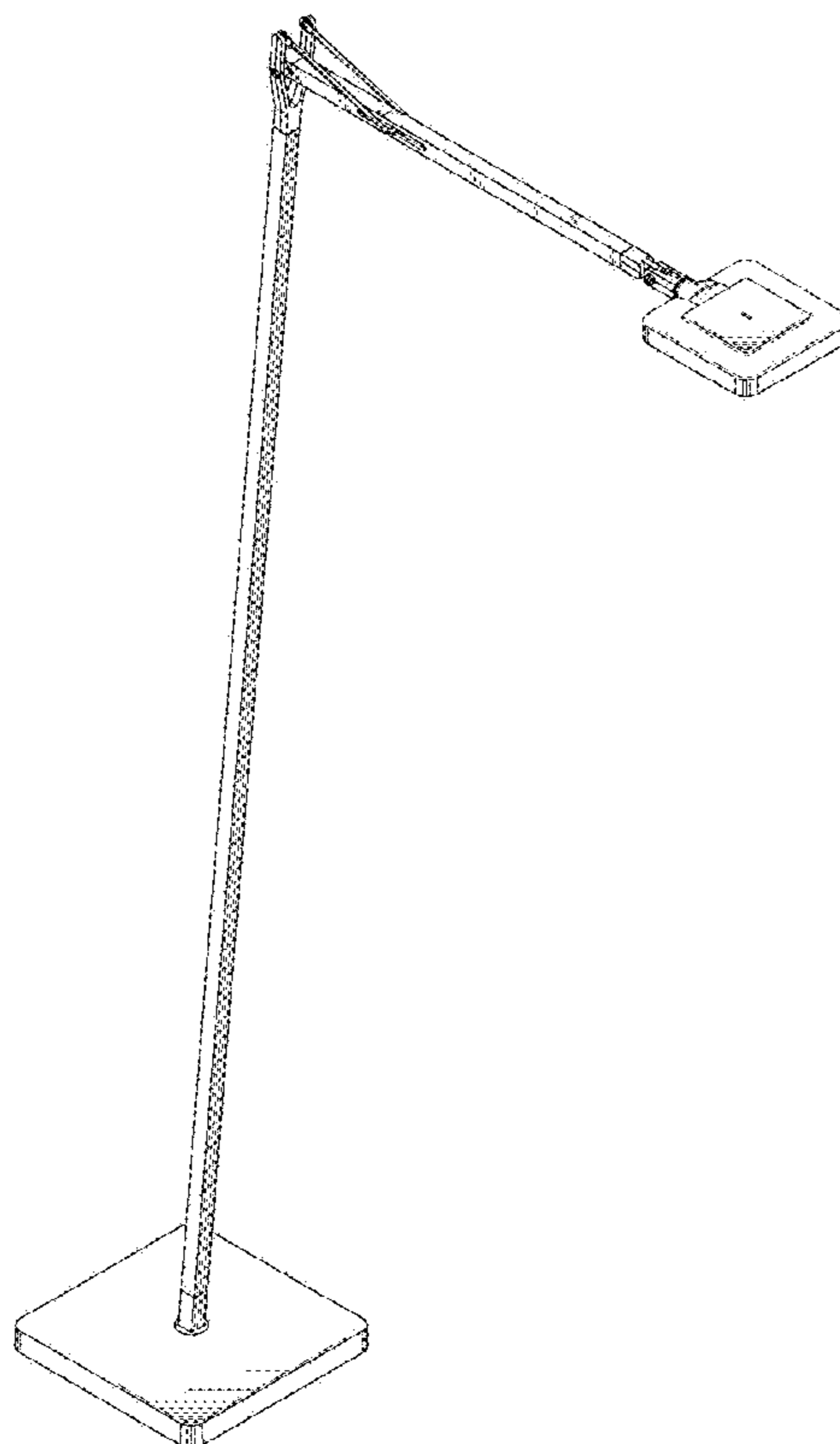
(57) **CLAIM**

The ornamental design for a lighting device, as shown and described.

**DESCRIPTION**

FIG. 1 is a side perspective view of the new design for a lighting device;  
 FIG. 2 is a left side elevational view of the lighting device shown in FIG. 1;  
 FIG. 3 is a right side elevational view of the lighting device shown in FIG. 1;  
 FIG. 4 is a front elevational view of the lighting device shown in FIG. 1;  
 FIG. 5 is a rear elevational view of the lighting device shown in FIG. 1;  
 FIG. 6 is a top plan view of the lighting device shown in FIG. 1; and,  
 FIG. 7 is a bottom plan view of the lighting device shown in FIG. 1.

**1 Claim, 7 Drawing Sheets**



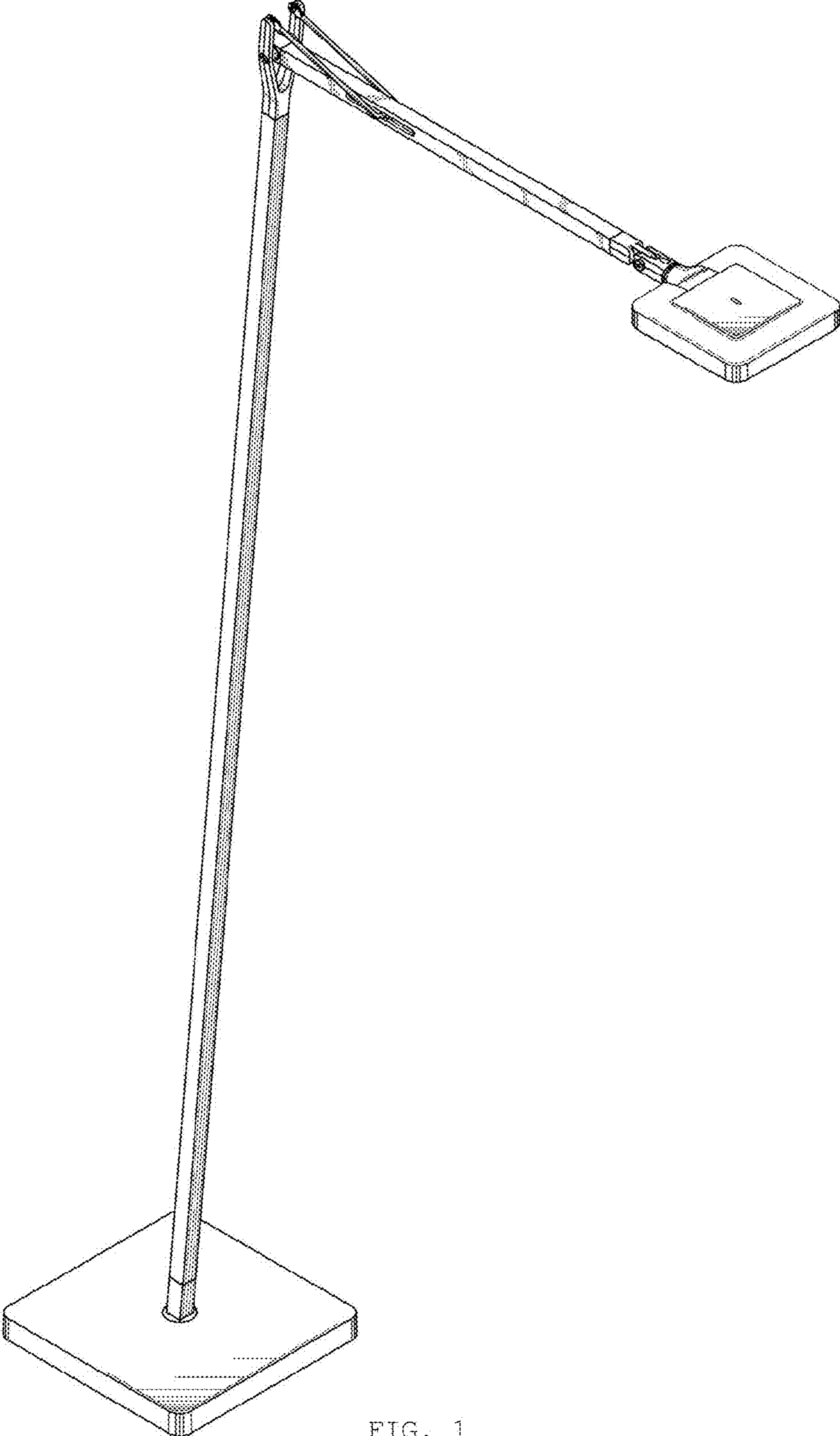


FIG. 1

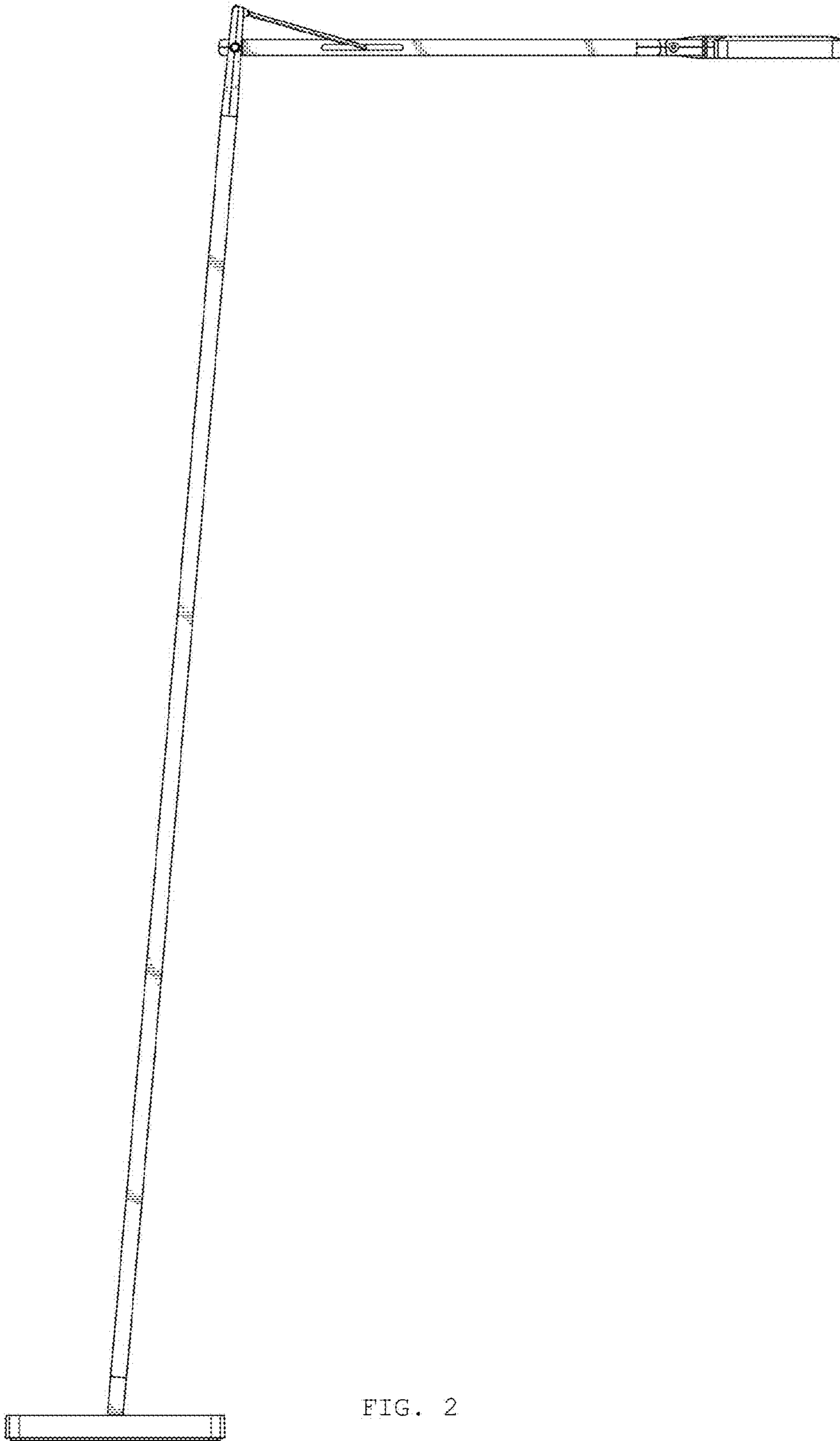


FIG. 2

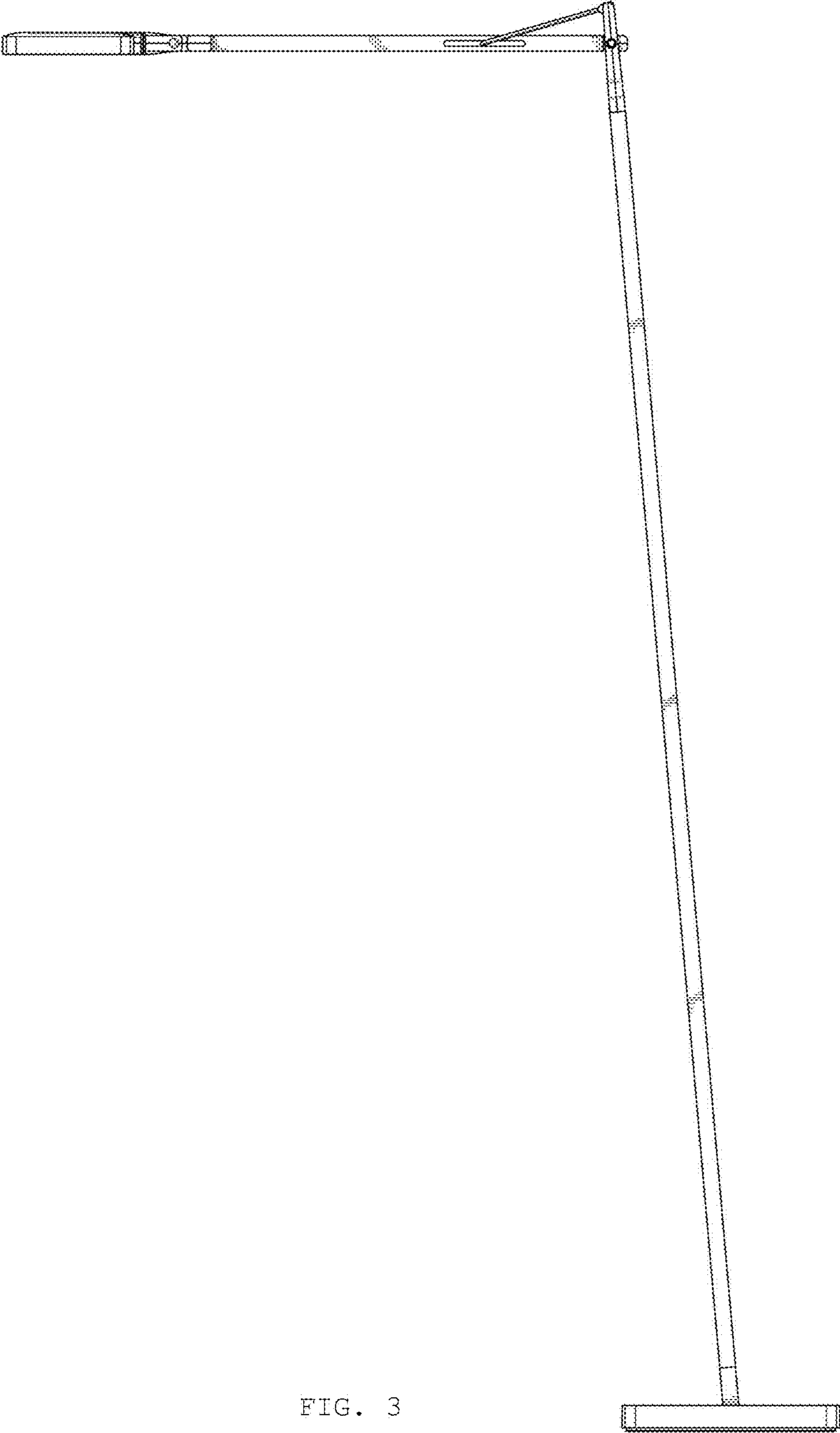


FIG. 3

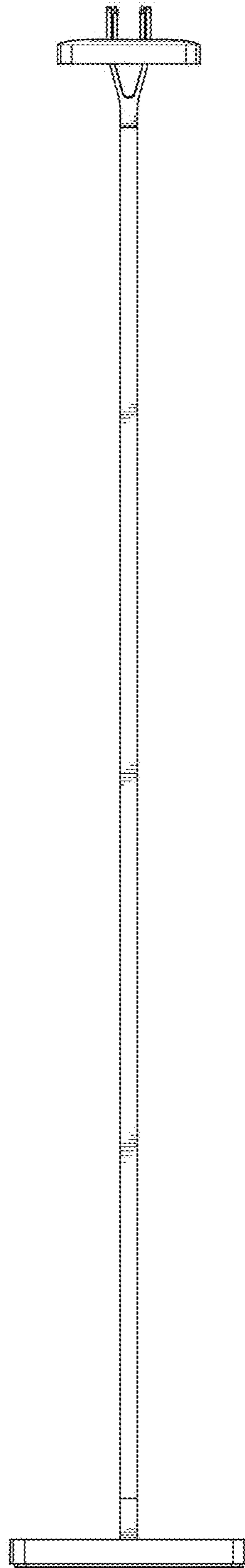


FIG. 4

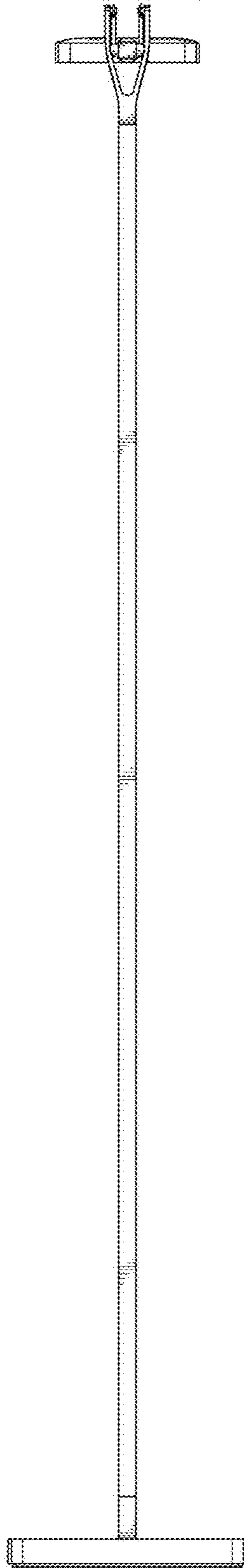


FIG. 5

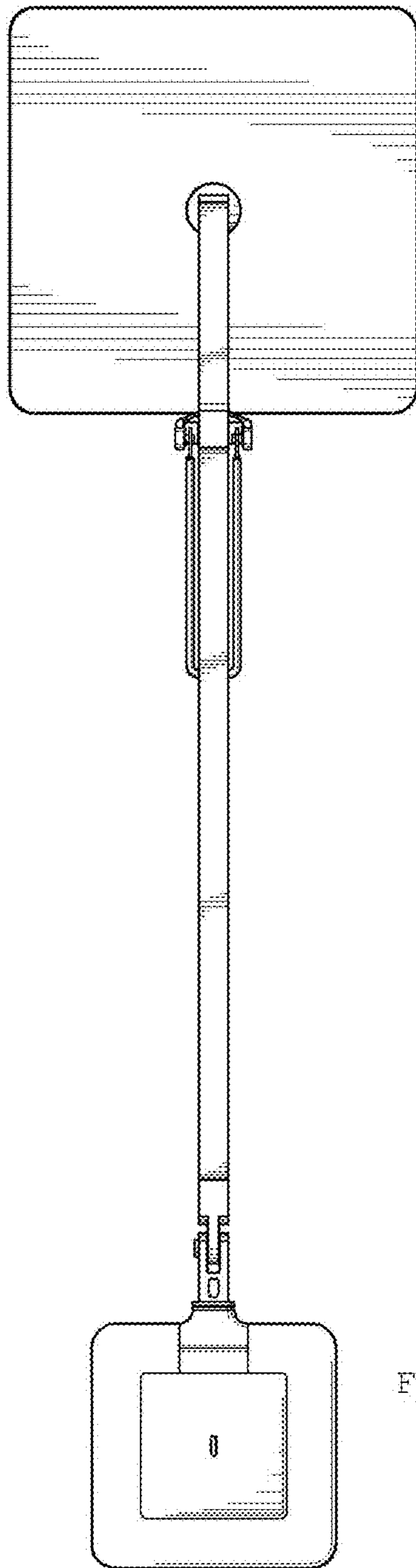


FIG. 6

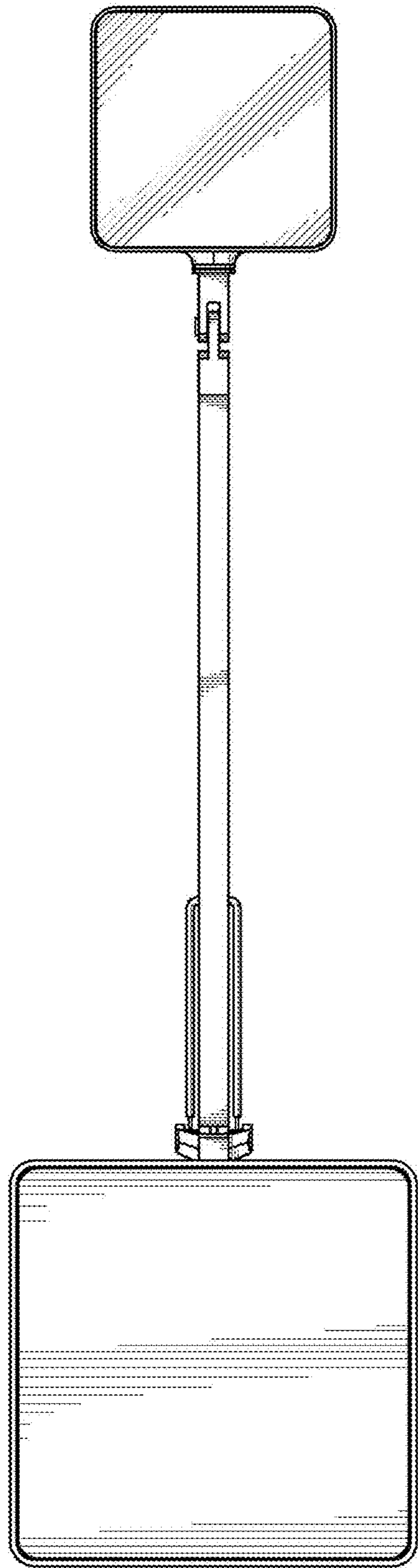


FIG. 7