



US00D690859S

(12) **United States Design Patent**
Mollaghaffari

(10) **Patent No.:** **US D690,859 S**

(45) **Date of Patent:** **** Oct. 1, 2013**

(54) **ADJUSTABLE TWIN LED LIGHTING ASSEMBLY**

(75) Inventor: **Massoud Mollaghaffari**, Portland, OR (US)

(73) Assignee: **PHC Northwest, Inc.**, Portland, OR (US)

(**) Term: **14 Years**

(21) Appl. No.: **29/412,194**

(22) Filed: **Jan. 31, 2012**

(51) **LOC (9) Cl.** **26-03**

(52) **U.S. Cl.**
USPC **D26/63**

(58) **Field of Classification Search**
USPC D26/24, 60-66, 72, 85, 92, 113,
D26/118-119; 362/89, 217.01, 217.02, 217.1,
362/217.14, 217.16, 220, 257, 268-69, 275,
362/277, 282, 285, 310, 362, 368, 370, 382,
362/404, 418, 425, 427, 432, 457, 804, 549.04,
362/648

See application file for complete search history.

(56) **References Cited**

U.S. PATENT DOCUMENTS

D151,855 S *	11/1948	Nitardy	D26/65
4,528,618 A *	7/1985	Bitsch	362/33
D300,876 S *	4/1989	Sakai	D26/107
D357,993 S *	5/1995	Yuen	D26/65
D510,451 S *	10/2005	Marchand	D26/65
D564,118 S *	3/2008	Wu	D26/63
D603,543 S *	11/2009	Huang et al.	D26/63

* cited by examiner

Primary Examiner — Brian N Vinson

(74) *Attorney, Agent, or Firm* — Baumgartner Patent Law; Marc Baumgartner

(57) **CLAIM**

The ornamental design for an adjustable twin LED lighting assembly, as shown and described.

DESCRIPTION

FIG. 1 is a perspective view of the adjustable twin LED lighting assembly.

FIG. 2 is a close-up perspective view of the adjustable twin LED lighting assembly.

FIG. 3 is a front side view of the adjustable twin LED lighting assembly.

FIG. 4 is a back side view of the adjustable twin LED lighting assembly.

FIG. 5 is a right side view of the adjustable twin LED lighting assembly (the other side is a mirror image of this side).

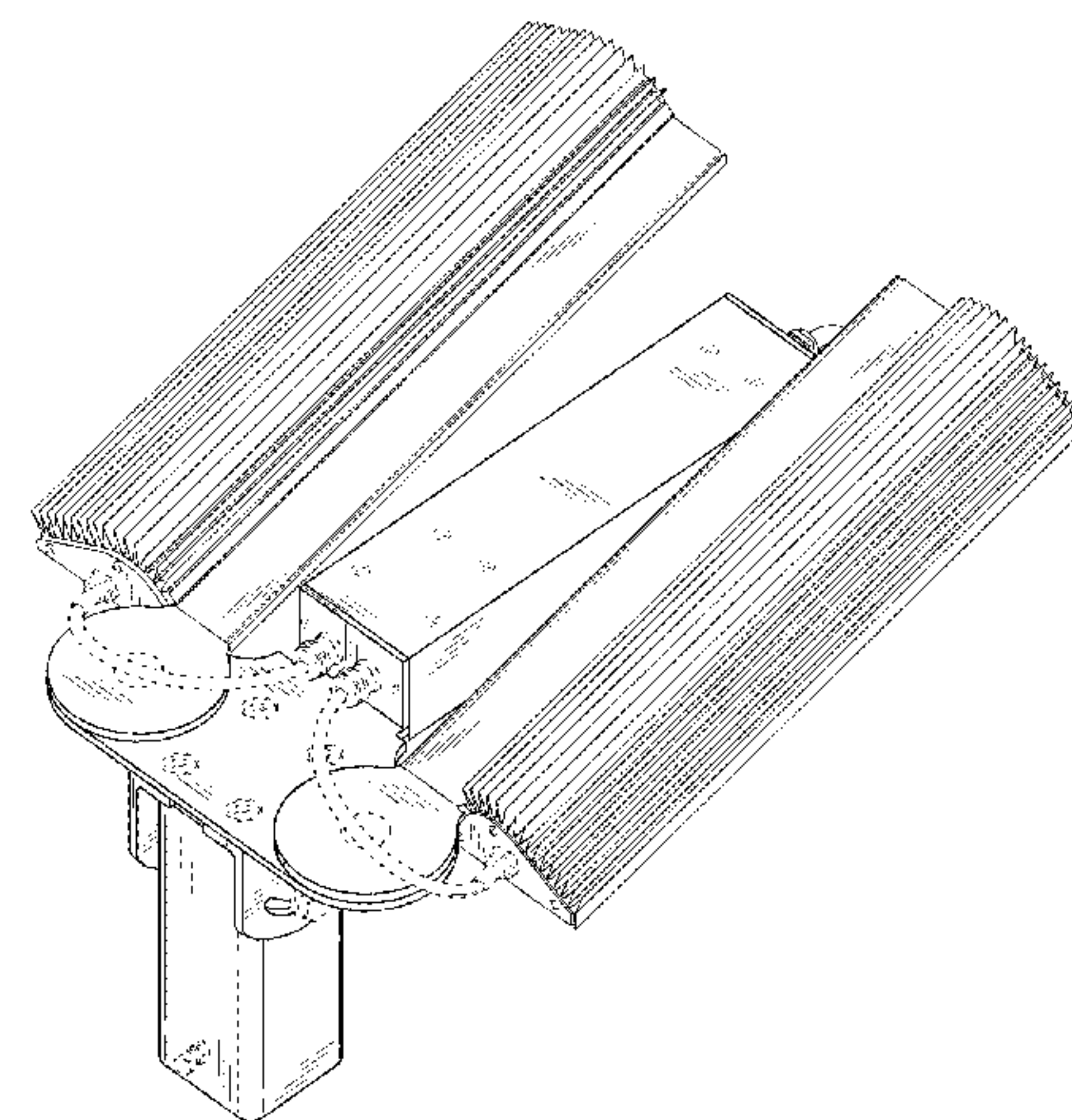
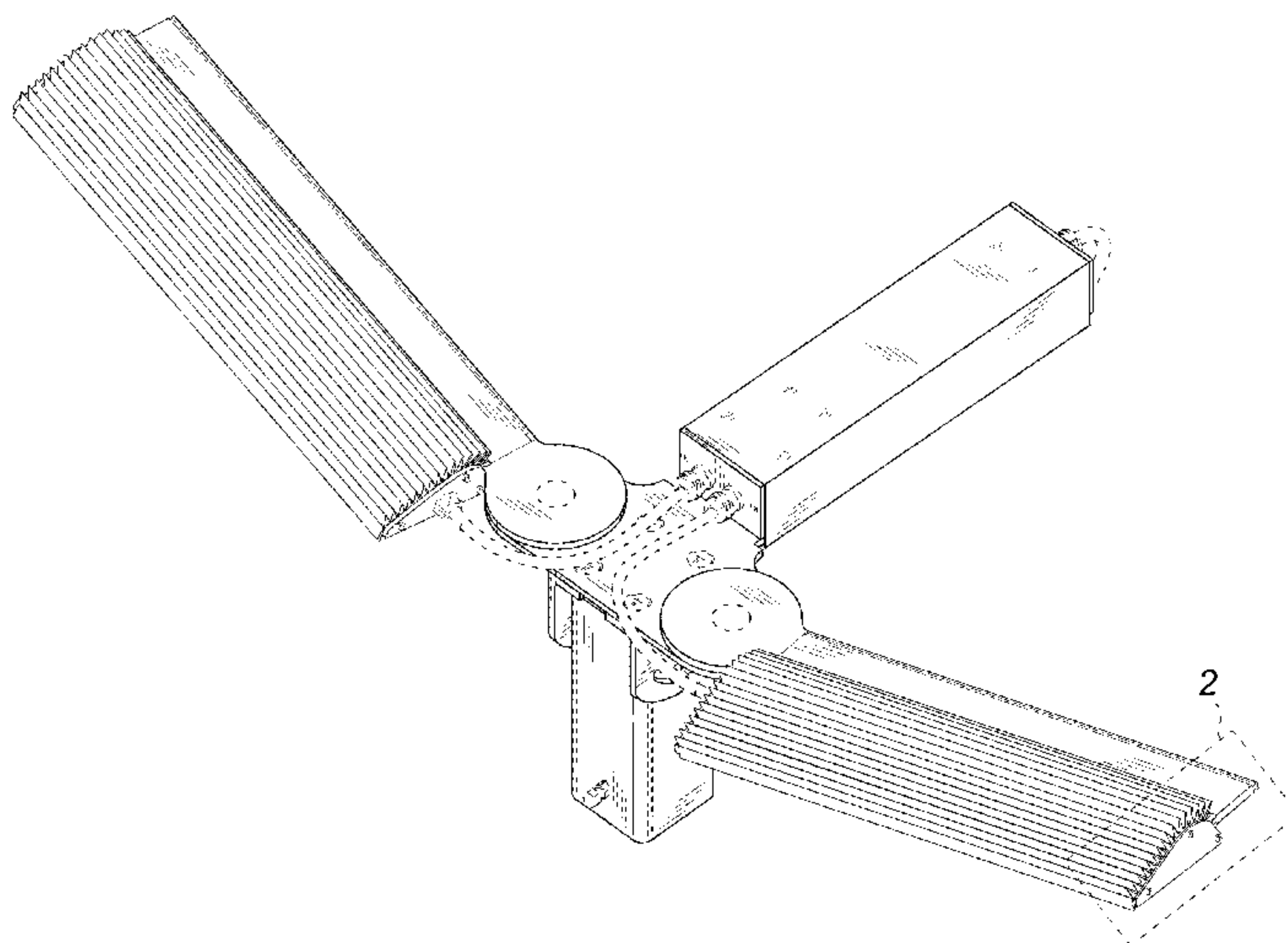
FIG. 6 is a top side view of the adjustable twin LED lighting assembly.

FIG. 7 is a bottom side view of the adjustable twin LED lighting assembly; and,

FIG. 8 is a perspective view of the adjustable twin LED lighting assembly in a closed position.

The broken lines in the drawings depict portions that are not part of the claimed design, but rather show the environment in which the design is associated.

1 Claim, 8 Drawing Sheets



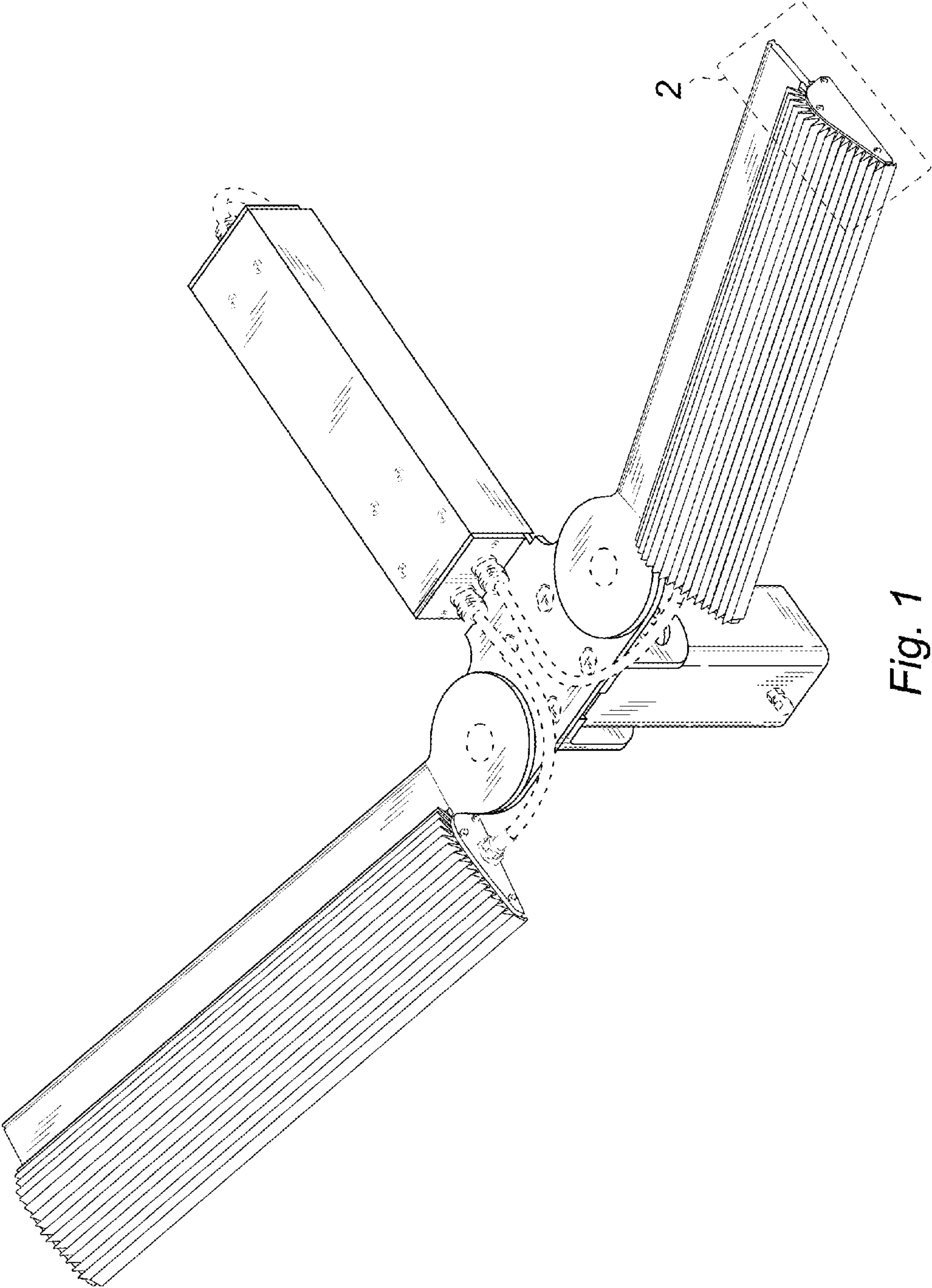


Fig. 1

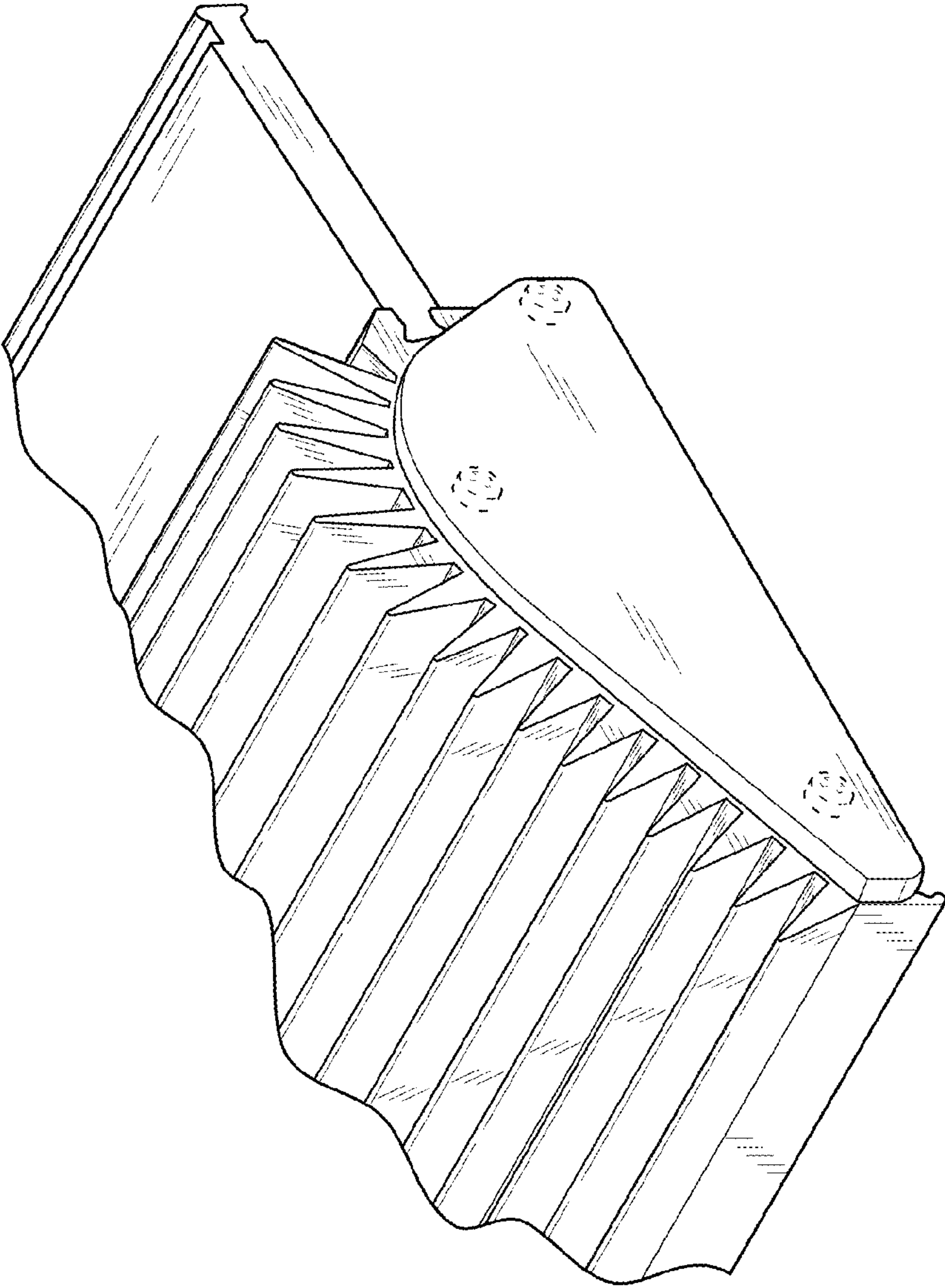


Fig. 2

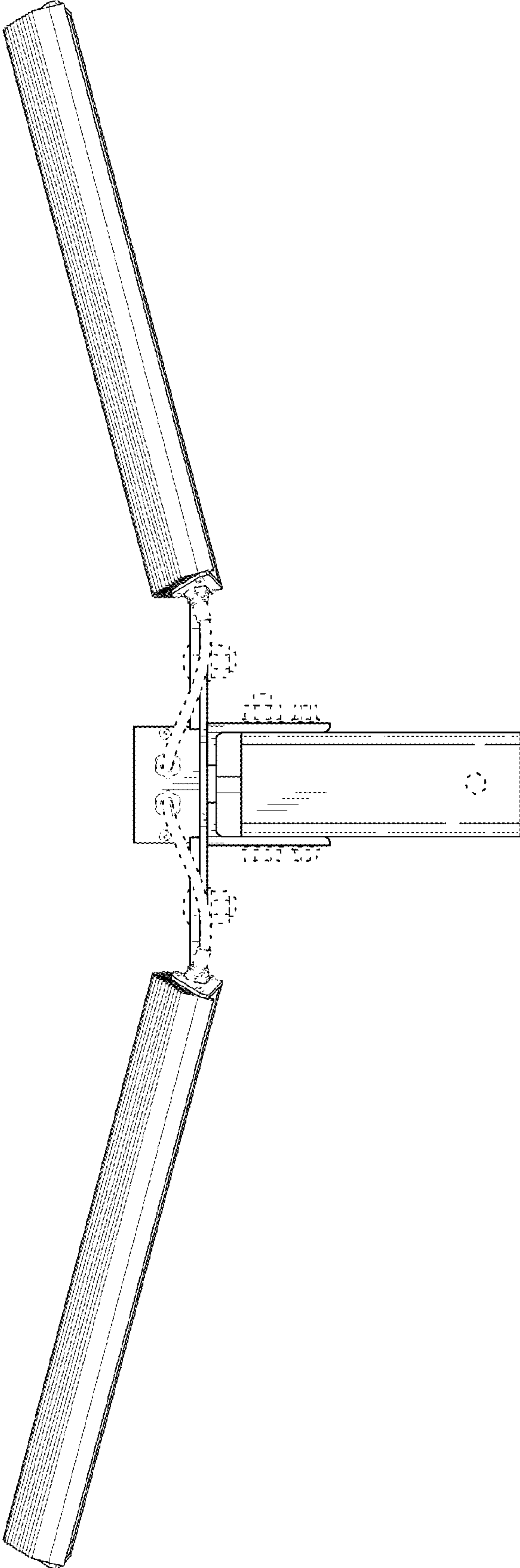


Fig. 3

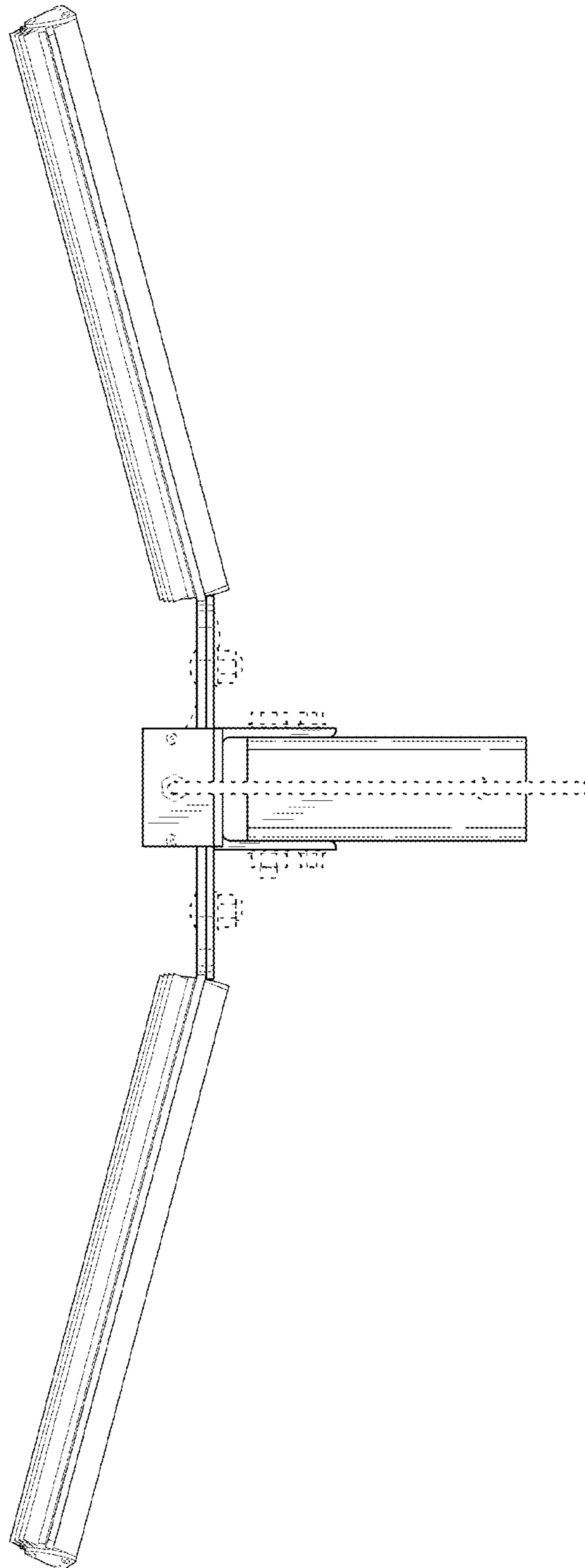


Fig. 4

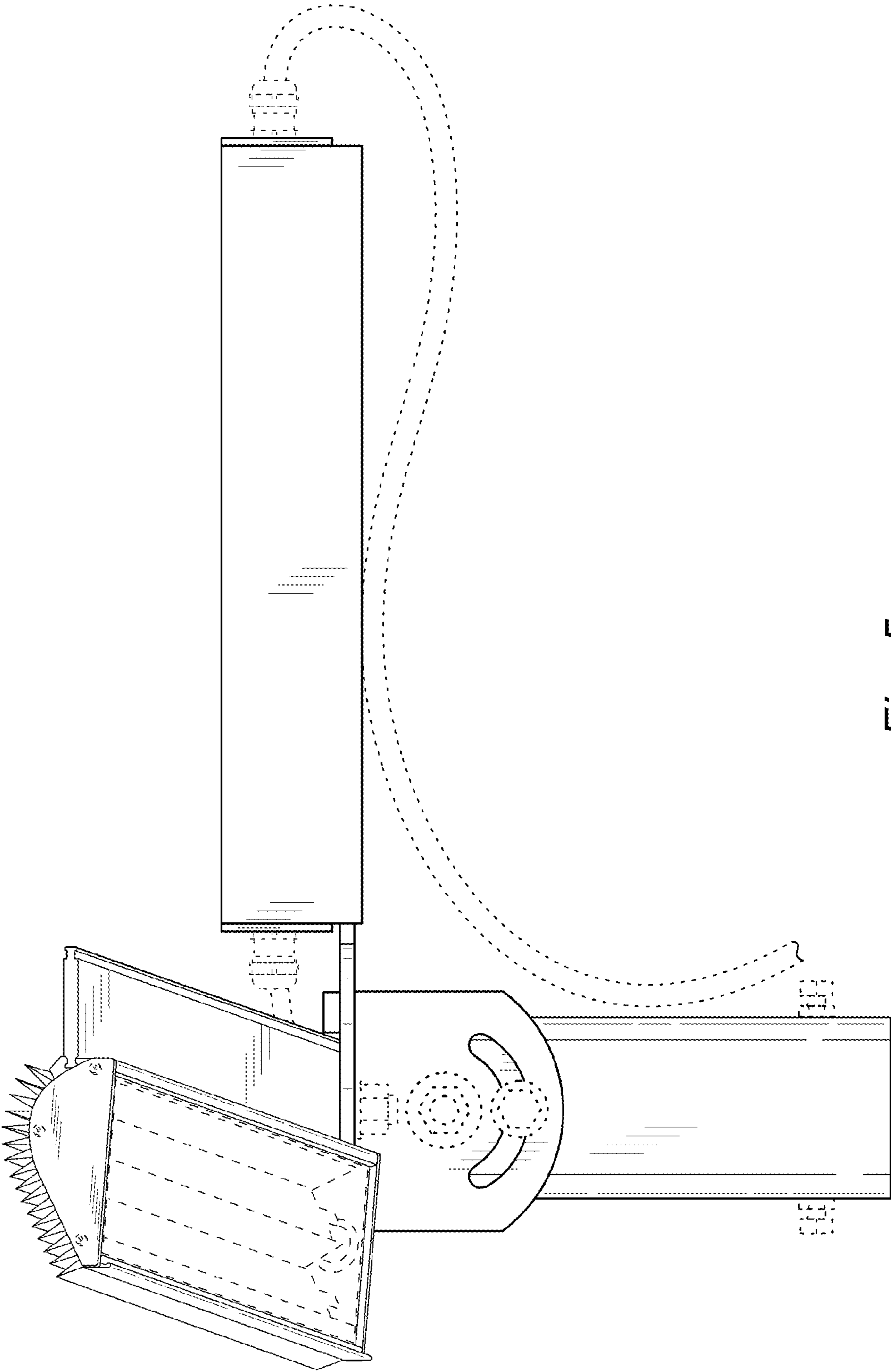


Fig. 5

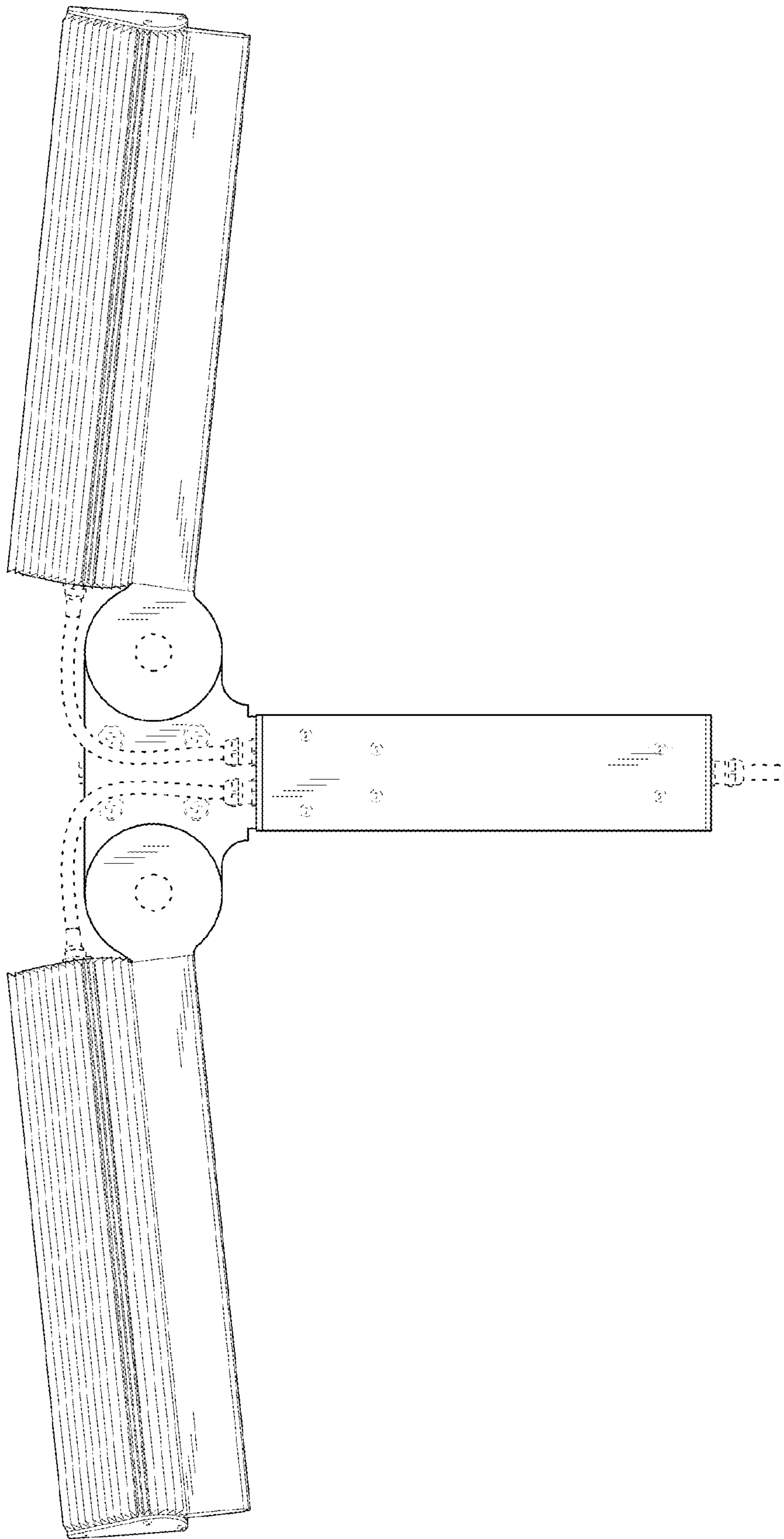


Fig. 6

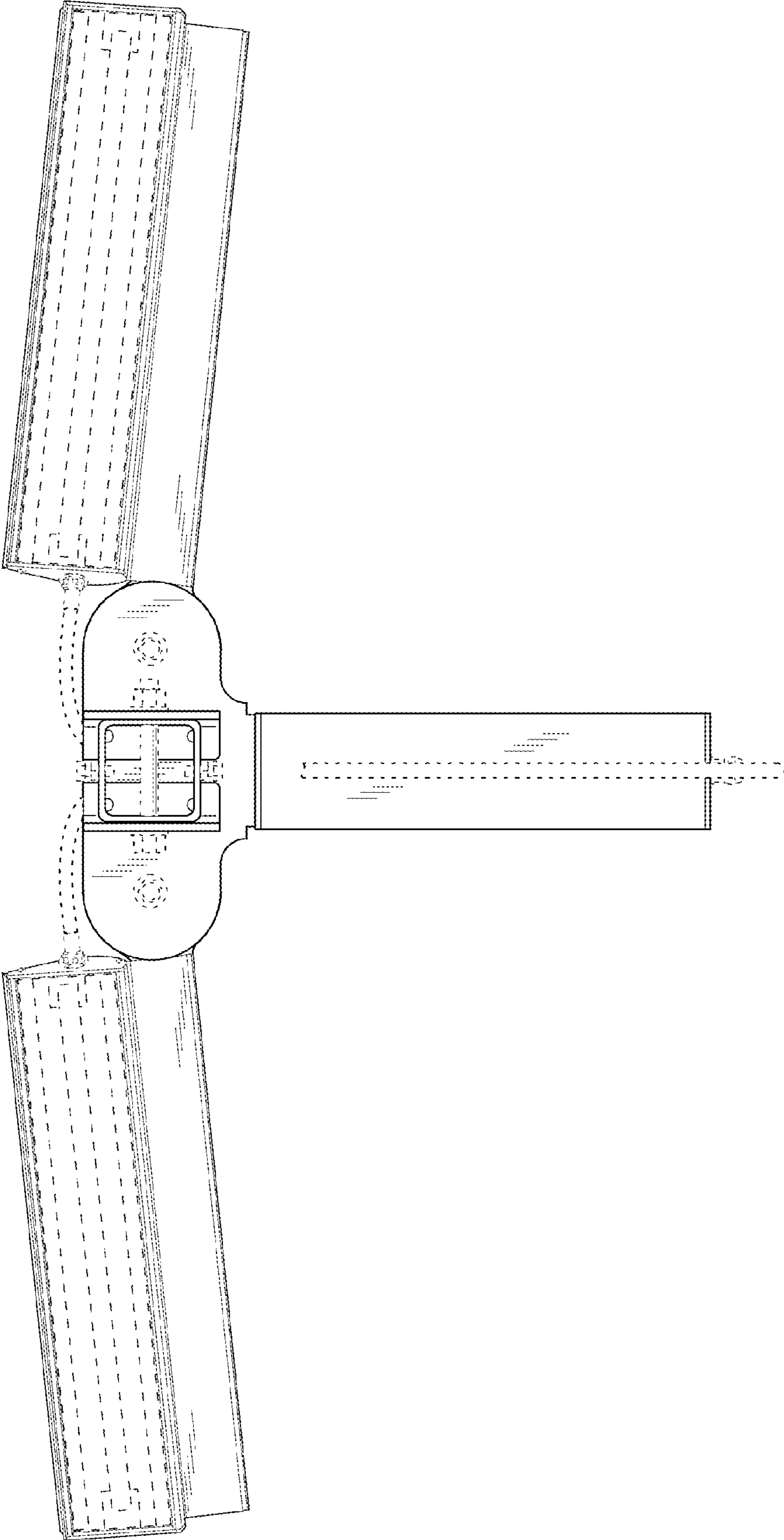


Fig. 7

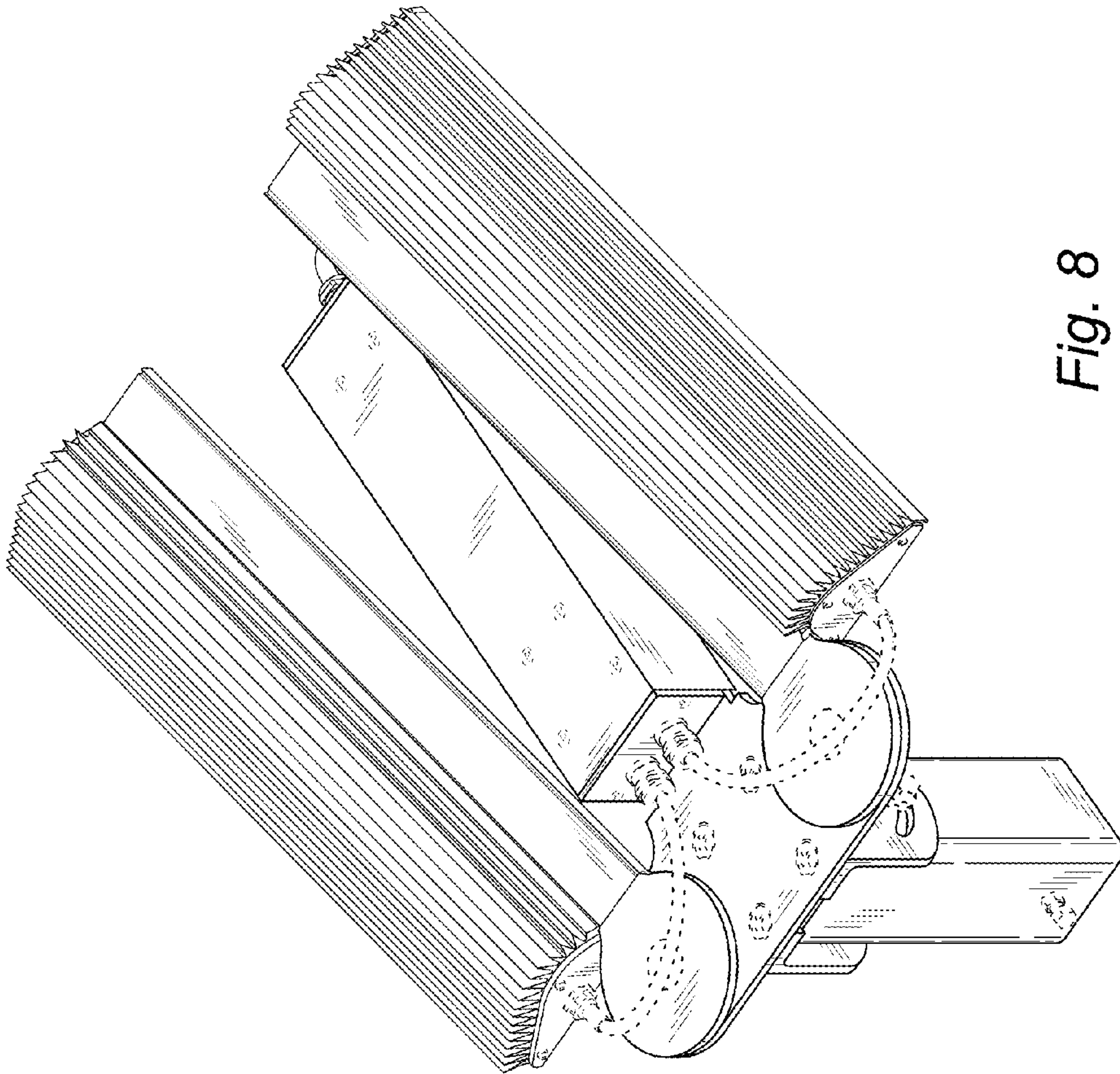


Fig. 8