



US00D690858S

(12) **United States Design Patent**
Citterio

(10) **Patent No.:** **US D690,858 S**
(45) **Date of Patent:** **** Oct. 1, 2013**

(54) **LIGHTING DEVICE**

(75) Inventor: **Antonio Citterio**, Brescia (IT)

(73) Assignee: **FLOS S.p.A.**, Brescia (IT)

(**) Term: **14 Years**

(21) Appl. No.: **29/402,744**

(22) Filed: **Sep. 27, 2011**

(30) **Foreign Application Priority Data**

Mar. 28, 2011 (IT) BS2011O0010

(51) **LOC (9) Cl.** **26-03**

(52) **U.S. Cl.**
USPC **D26/63**

(58) **Field of Classification Search**
USPC D26/24, 61-67, 93, 102, 104-105,
D26/108-10, 107; 362/509, 516, 523, 186,
362/217, 255, 257, 277, 317, 319, 351, 354,
362/355, 357, 358, 362, 382, 410, 413, 417,
362/806

See application file for complete search history.

(56) **References Cited**

U.S. PATENT DOCUMENTS

D269,297 S * 6/1983 Lebowitz D26/65
D499,828 S * 12/2004 Martin et al. D26/65
D515,235 S * 2/2006 Opolka D26/107
D566,317 S * 4/2008 Meda et al. D26/62
D569,539 S * 5/2008 Behar et al. D26/63
D600,849 S * 9/2009 Osgerby et al. D26/107
D611,634 S * 3/2010 Newhouse D26/61

D623,329 S * 9/2010 Huang D26/63
D623,788 S * 9/2010 Huang D26/65
D651,734 S * 1/2012 Li D26/63
D663,062 S * 7/2012 Ng et al. D26/65
D663,456 S * 7/2012 Huang D26/63
D674,531 S * 1/2013 Yuen D26/93

* cited by examiner

Primary Examiner — Brian N Vinson

(74) *Attorney, Agent, or Firm* — Harness, Dickey & Pierce,
PLC

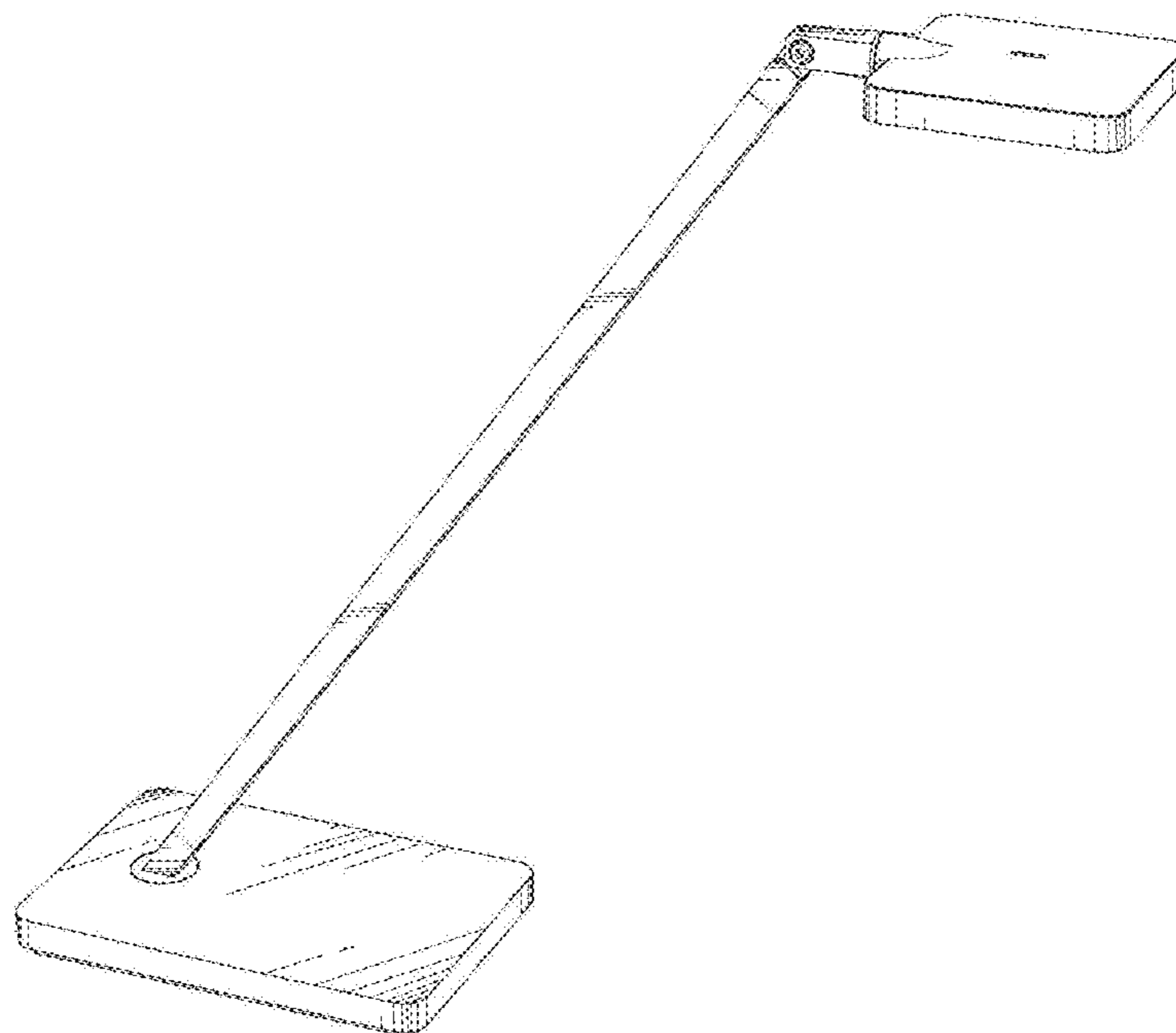
(57) **CLAIM**

The ornamental design for a lighting device, as shown and described.

DESCRIPTION

FIG. 1 is a side perspective view of the new design for a table lamp lighting device;
FIG. 2 is a left side elevational view of the table lamp lighting device shown in FIG. 1;
FIG. 3 is a right side elevational view of the table lamp lighting device shown in FIG. 1;
FIG. 4 is a front elevational view of the table lamp lighting device shown in FIG. 1;
FIG. 5 is a rear elevational view of the table lamp lighting device shown in FIG. 1;
FIG. 6 is a top plan view of the table lamp lighting device shown in FIG. 1; and,
FIG. 7 is a bottom plan view of the table lamp lighting device shown in FIG. 1.

1 Claim, 7 Drawing Sheets



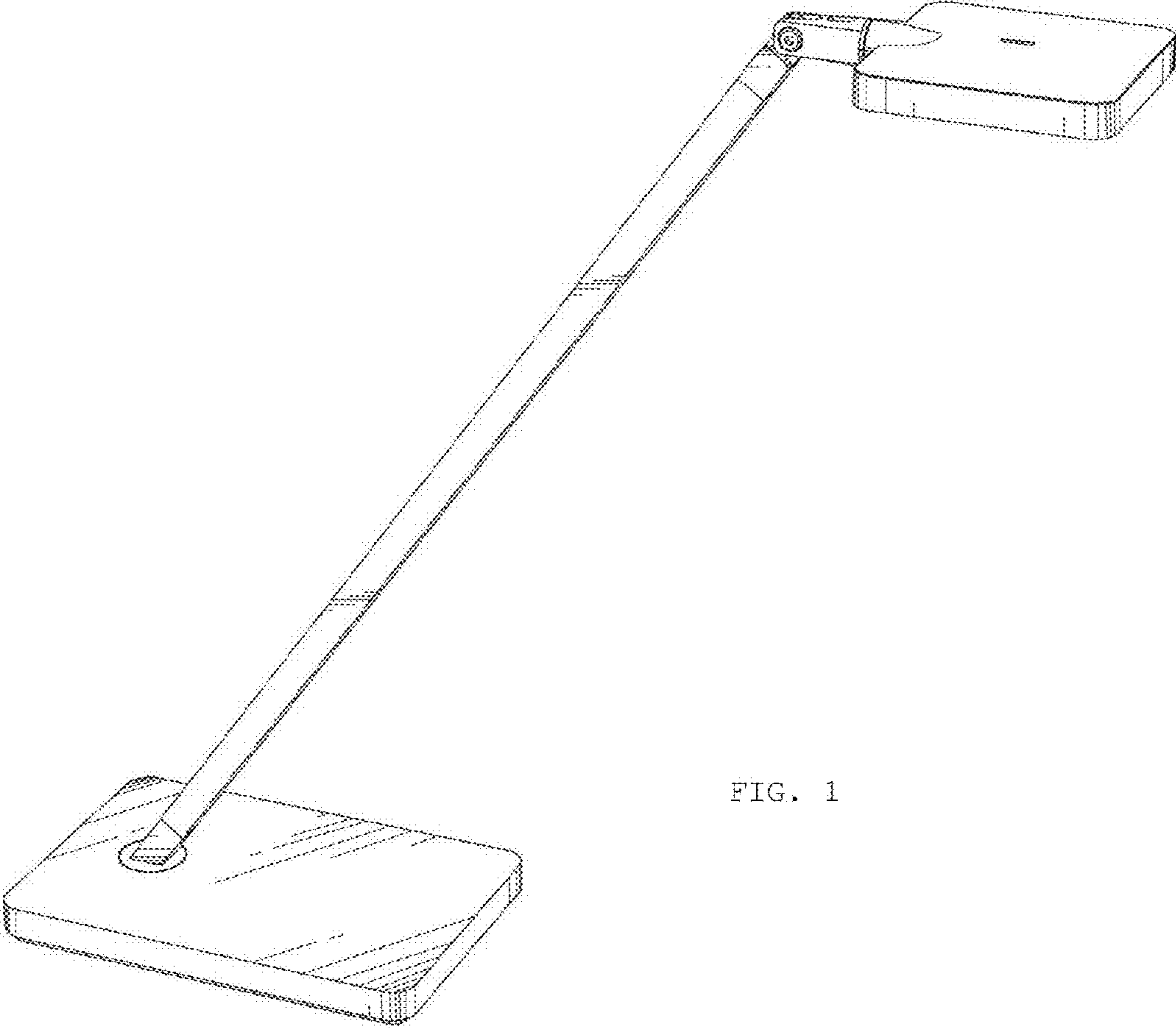


FIG. 1

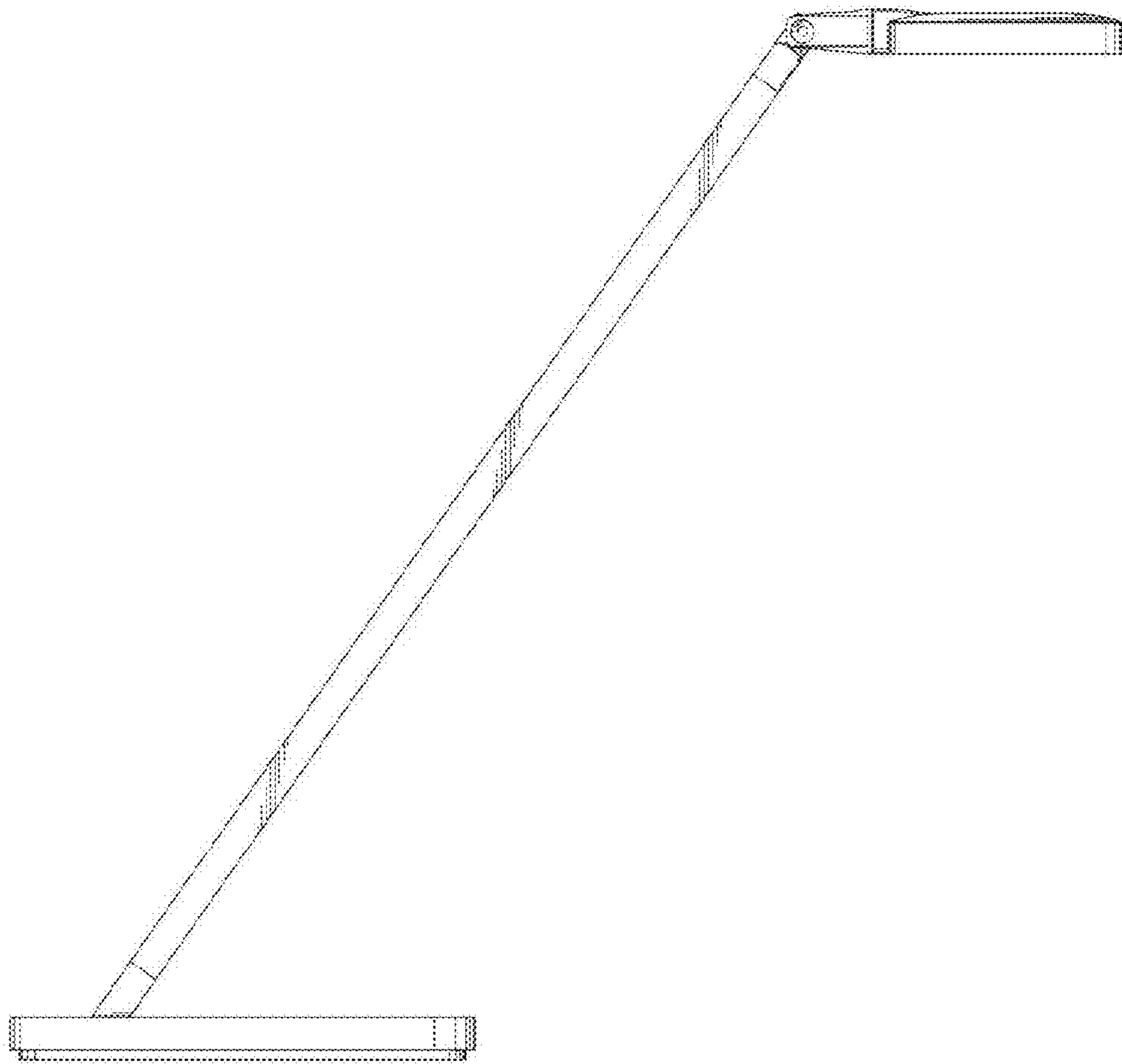


FIG. 2

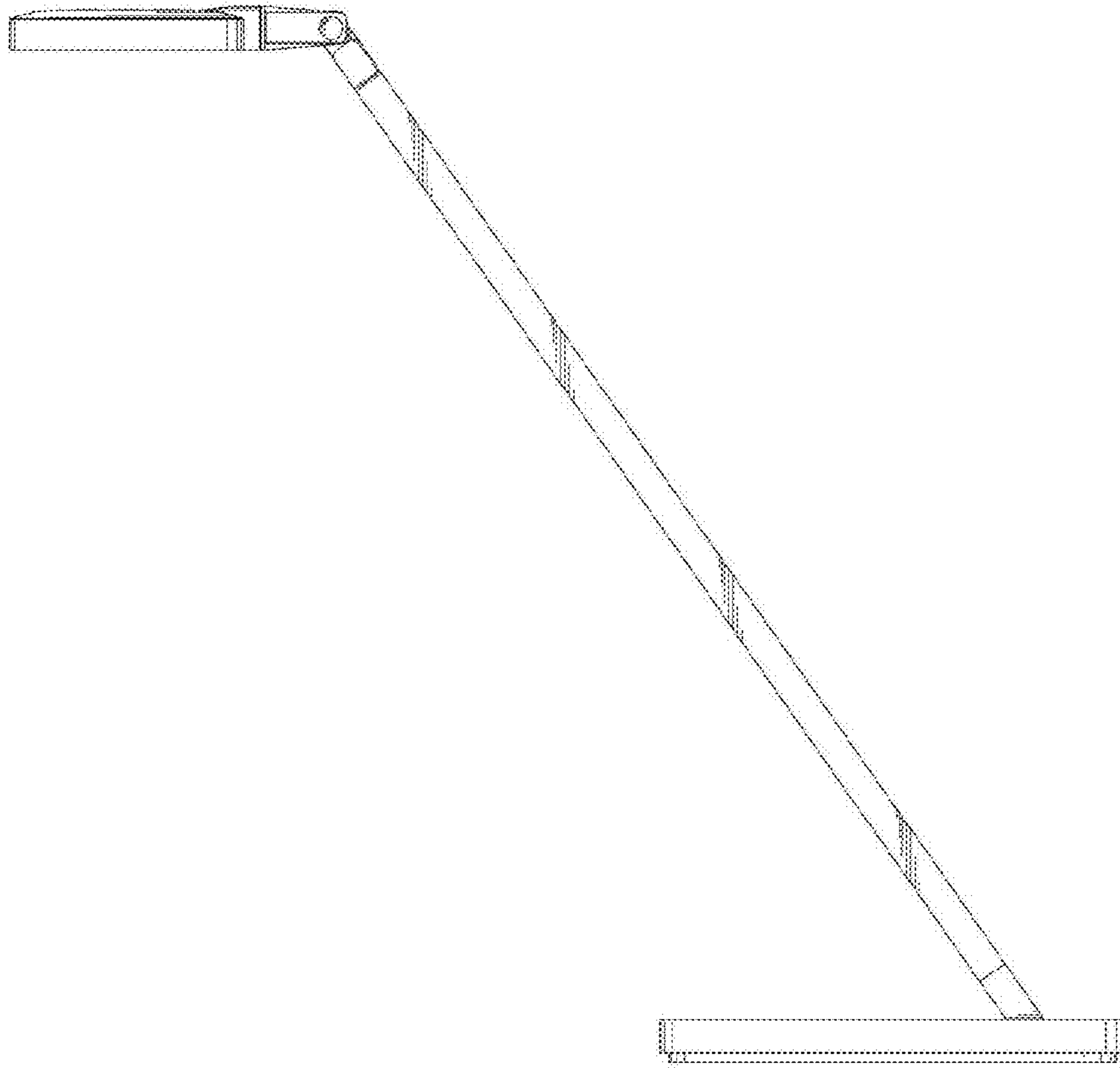


FIG. 3

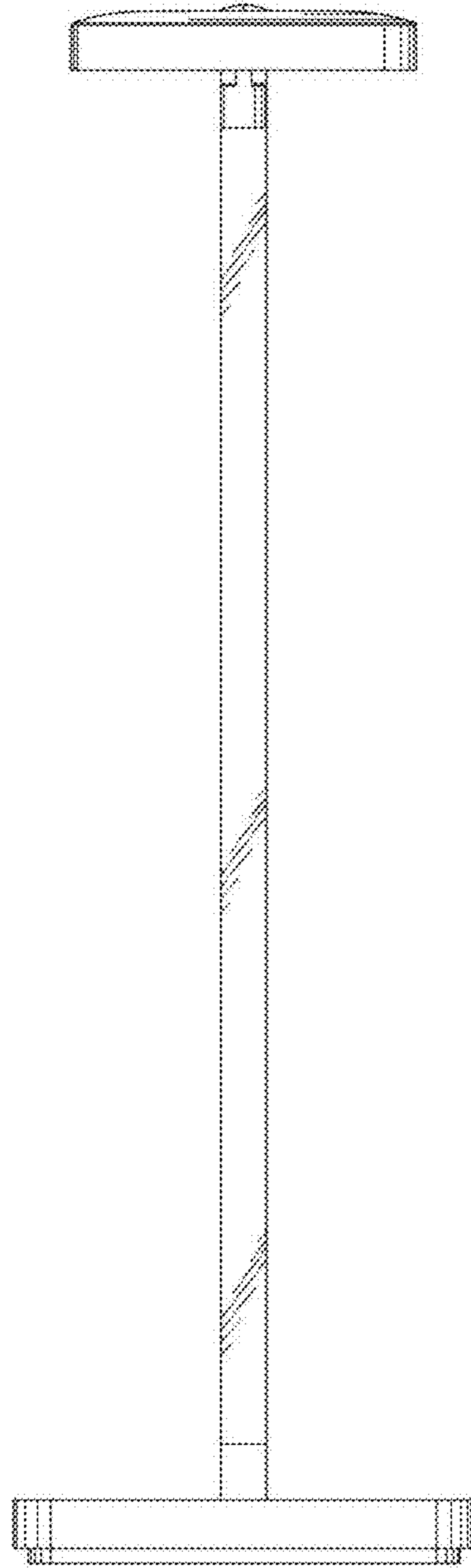


FIG. 4

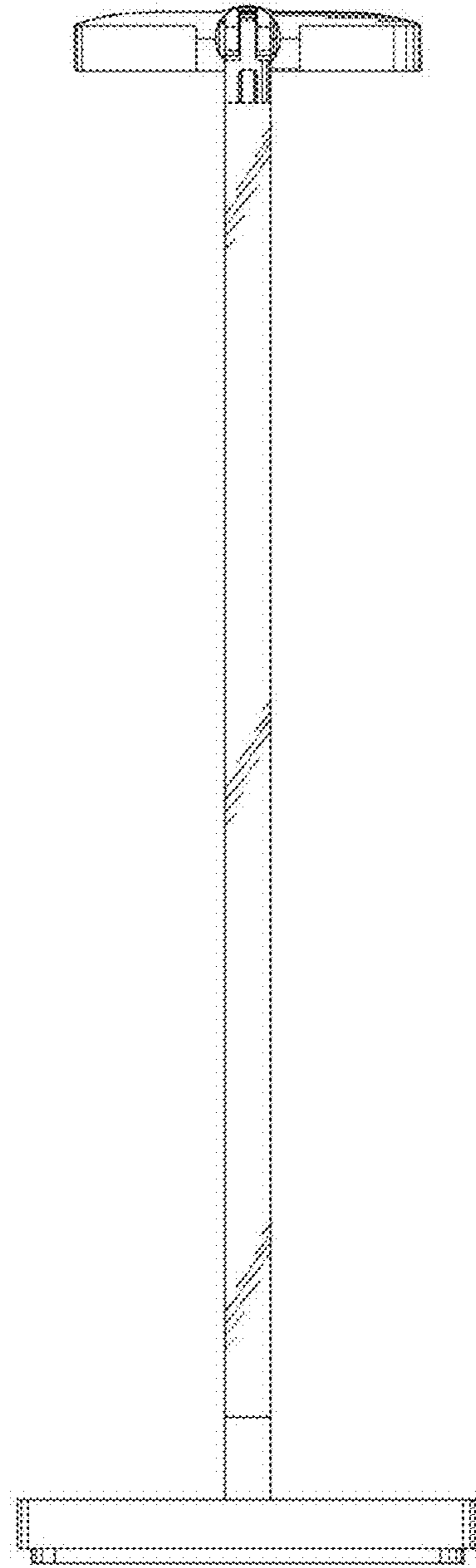


FIG. 5

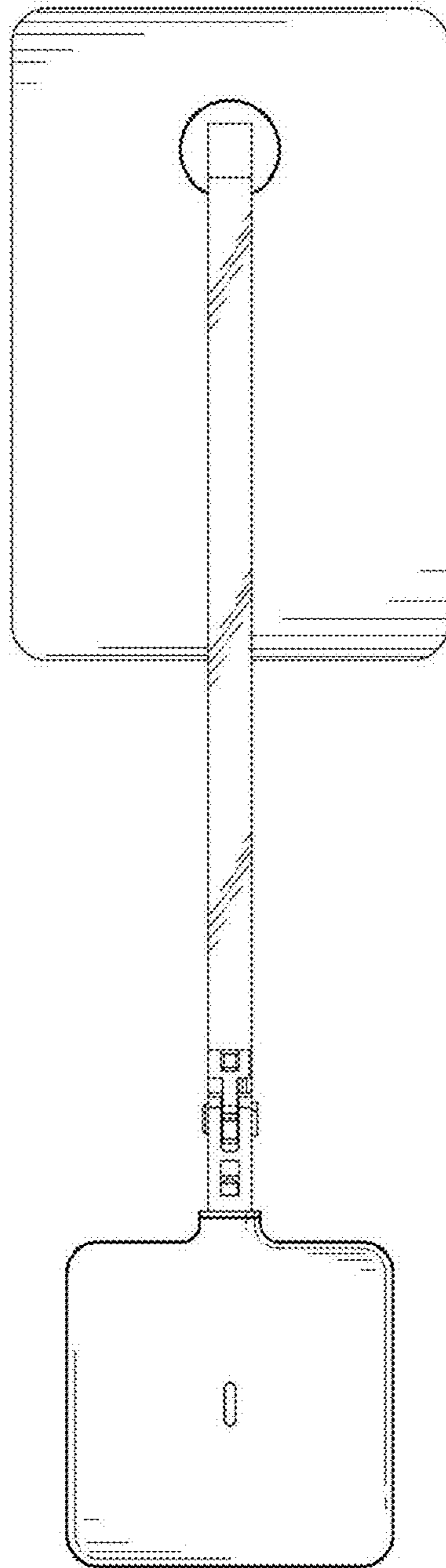


FIG. 6

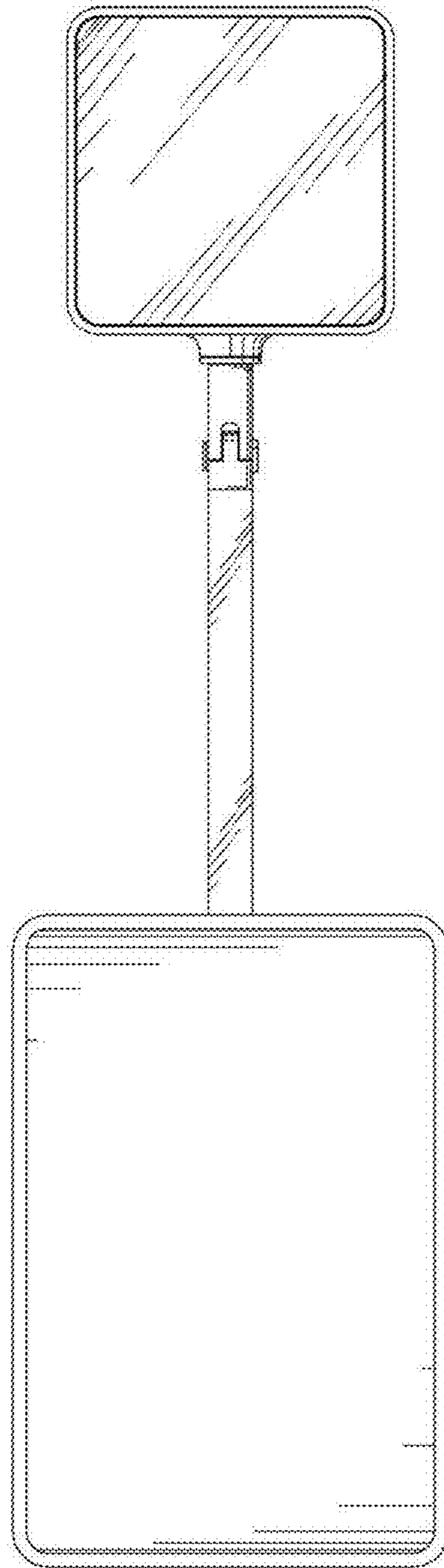


FIG. 7