



US00D690857S

(12) **United States Design Patent**
Blincoe et al.

(10) **Patent No.:** **US D690,857 S**
(45) **Date of Patent:** **** Oct. 1, 2013**

- (54) **LIGHT-EMITTING DIODE (LED) FLOODLIGHT**
- (75) Inventors: **Patrick Stephen Blincoe**, Kirkville, NY (US); **Kantesh Vittal Agnihotri**, Syracuse, NY (US); **Gregg Lehman**, Peachtree City, GA (US)
- (73) Assignee: **Cooper Technologies Company**, Houston, TX (US)

(**) Term: **14 Years**
(21) Appl. No.: **29/388,486**

- (22) Filed: **Mar. 29, 2011**
- (51) **LOC (9) Cl.** **26-03**
- (52) **U.S. Cl.**
USPC **D26/63**
- (58) **Field of Classification Search**
USPC D26/24, 60–66, 72, 85, 92, 113, D26/118–119; 362/89, 217.01, 220, 217.02, 362/217.1, 217.14, 217.16, 257, 249, 268–269, 362/275, 277, 282, 285, 310, 362, 368, 370, 362/382, 404, 418, 425, 427, 432, 433, 457, 362/804

See application file for complete search history.

(56) **References Cited**

U.S. PATENT DOCUMENTS

D136,799	S *	12/1943	Vendope	D26/64
D625,870	S *	10/2010	Feigenbaum	D26/63
7,854,534	B2	12/2010	Liu		
7,918,591	B2	4/2011	Lynch		
D641,905	S *	7/2011	Janssen	D26/63
7,993,033	B2	8/2011	Moriyama et al.		
D645,593	S *	9/2011	Janssen	D26/63
D645,594	S *	9/2011	Grawe	D26/63
8,057,057	B2	11/2011	Park		
D650,505	S *	12/2011	Oka	D26/63
D663,877	S *	7/2012	Quevy et al.	D26/63

D667,582	S *	9/2012	Toft	D26/63
8,292,449	B2 *	10/2012	Poissonnet et al.	362/370
2008/0062682	A1	3/2008	Hoelen et al.		
2010/0014289	A1	1/2010	Thomas et al.		

(Continued)

FOREIGN PATENT DOCUMENTS

KR	20-2008-0000034	1/2008
KR	20-0447539	2/2010
KR	100945420	8/2010
KR	10-0997746	12/2010

OTHER PUBLICATIONS

Cooper Crouse-Hinds, “VMVIG and DMVIG Series Champ Induction Luminaires with Induction Lighting System”, Product Brochure, Jun. 2005, pp. 1-8, Cooper Crouse-Hinds, USA.

(Continued)

Primary Examiner — Brian N Vinson

(74) *Attorney, Agent, or Firm* — King & Spalding LLP

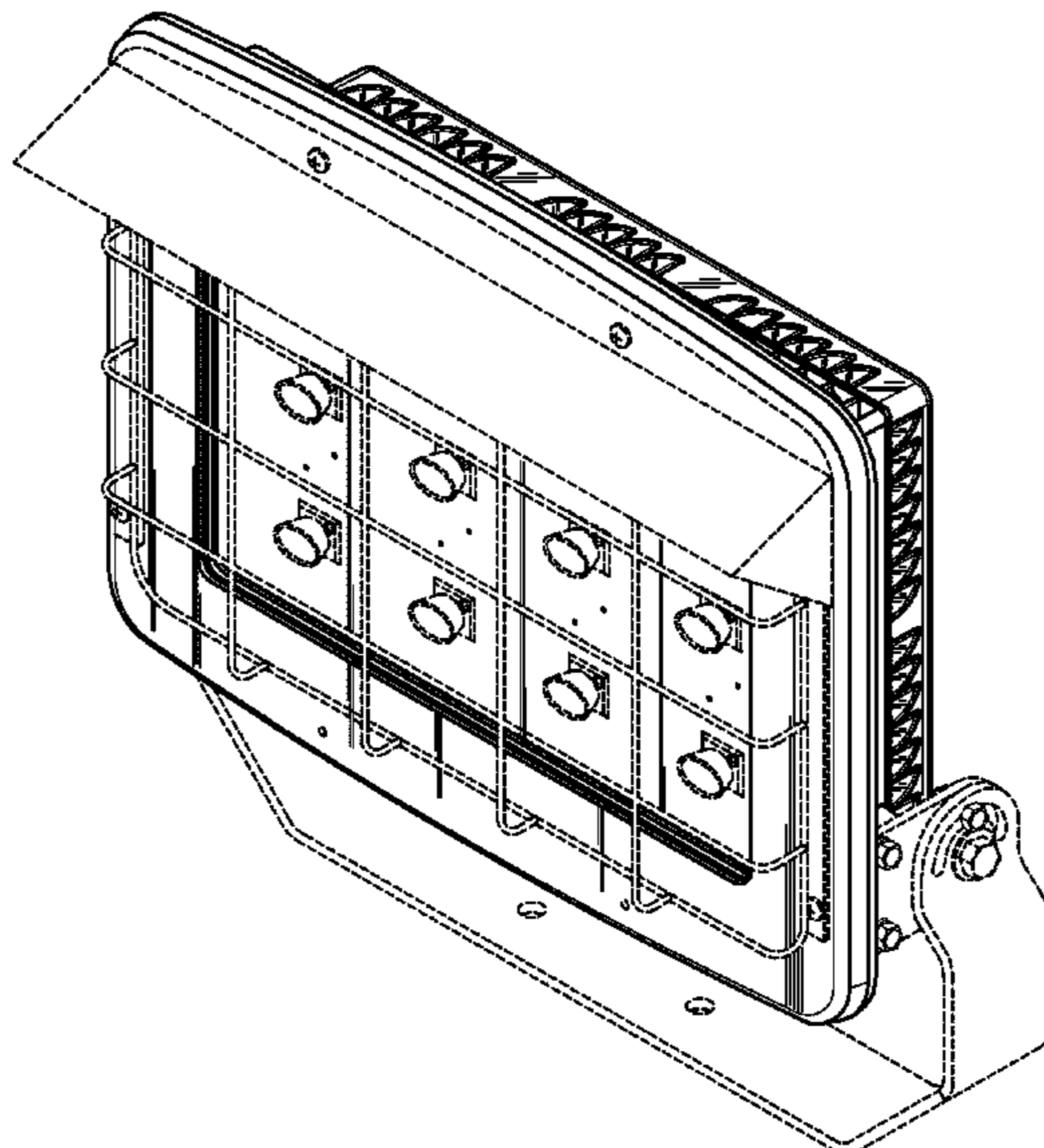
(57) **CLAIM**

The ornamental design for a light-emitting diode (LED) floodlight, as shown and described.

DESCRIPTION

FIG. 1 is a front perspective view of a light-emitting diode (LED) floodlight showing our design; FIG. 2 is a front elevational view thereof; FIG. 3 is a rear elevational view thereof; FIG. 4 is a left side view thereof; FIG. 5 is a right side view thereof; FIG. 6 is a top plan view thereof; FIG. 7 is a bottom plan view thereof; and, FIG. 8 is an exploded front elevational view thereof. The broken-line disclosure in the views is understood to represent portions of the light which form no part of the claimed design.

1 Claim, 7 Drawing Sheets



(56)

References Cited

U.S. PATENT DOCUMENTS

2010/0259935 A1 10/2010 Scordino et al.
2011/0019416 A1 1/2011 Poissonnet et al.
2011/0068708 A1 3/2011 Coplin et al.
2011/0110081 A1 5/2011 Belknap et al.
2011/0141728 A1 6/2011 Russello et al.
2011/0235330 A1 9/2011 Pedersen et al.

2011/0242822 A1 10/2011 Rong et al.
2011/0249427 A1 10/2011 Rooms et al.
2011/0309751 A1 12/2011 Ter-Hovhannisyan

OTHER PUBLICATIONS

Cooper Crouse-Hinds, "Flood Light Fixtures", Product Brochure, 2001, pp. 1-12, Cooper Crouse-Hinds, USA.

* cited by examiner

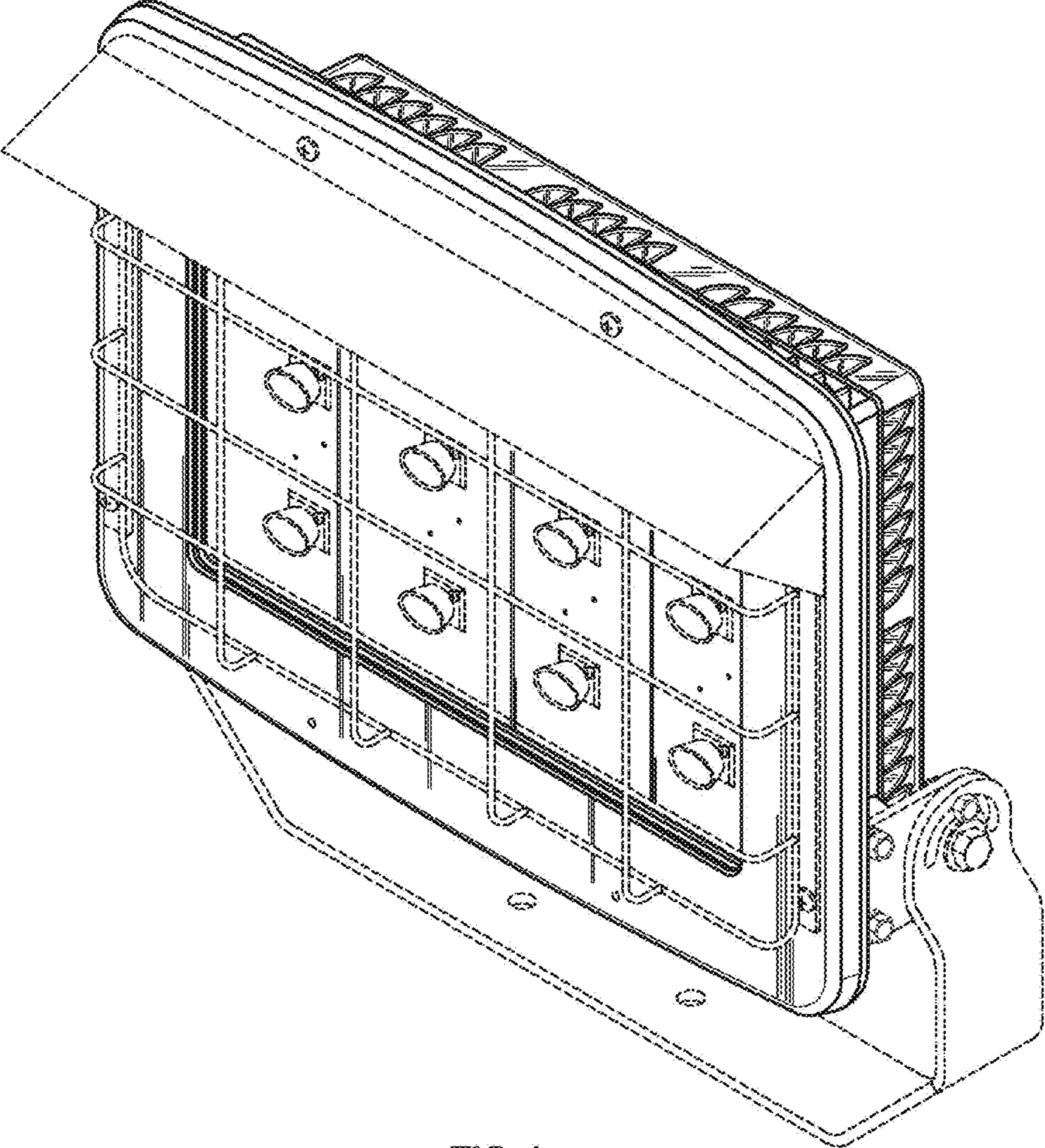


FIG. 1

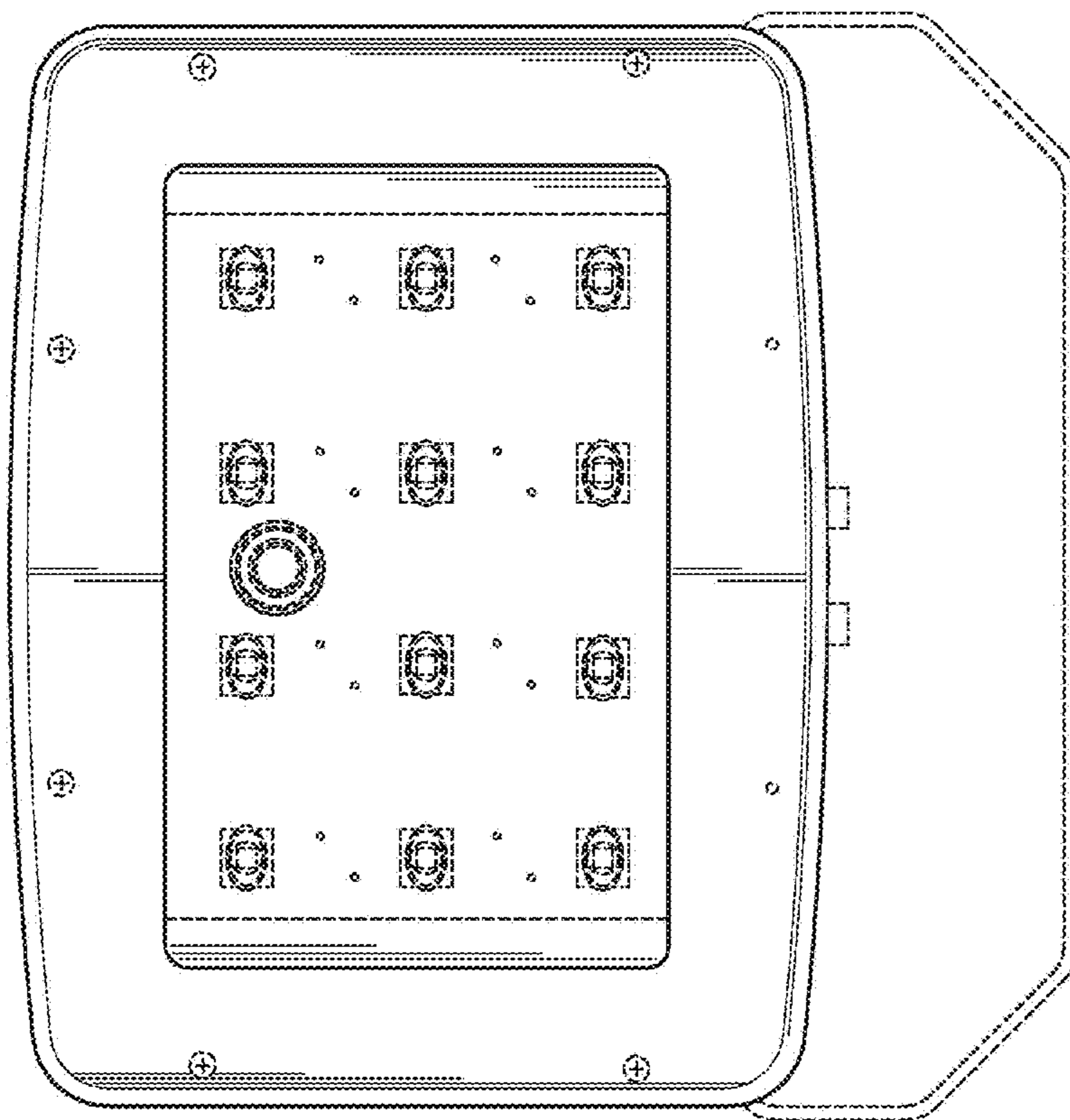


FIG.2

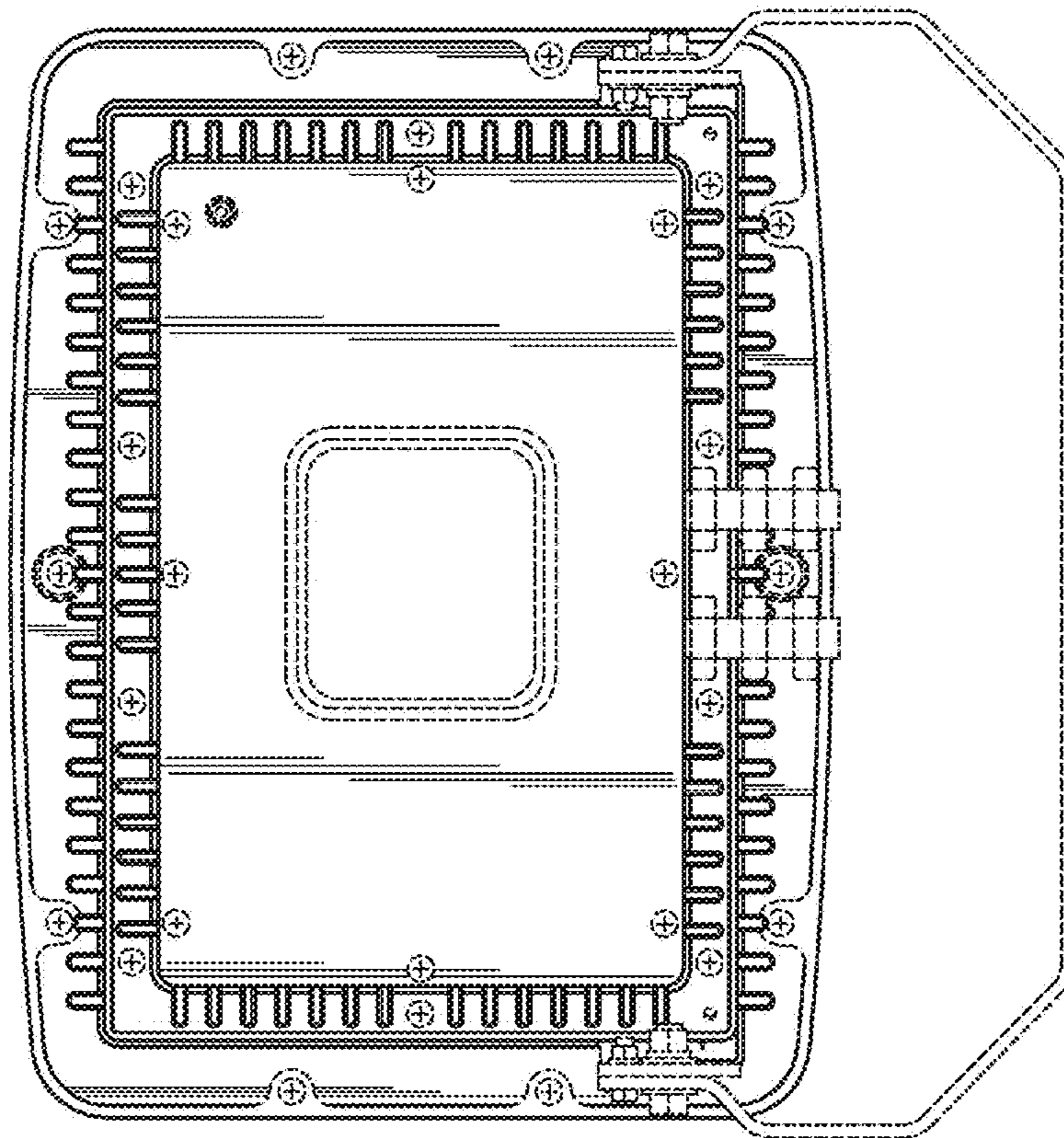


FIG. 3

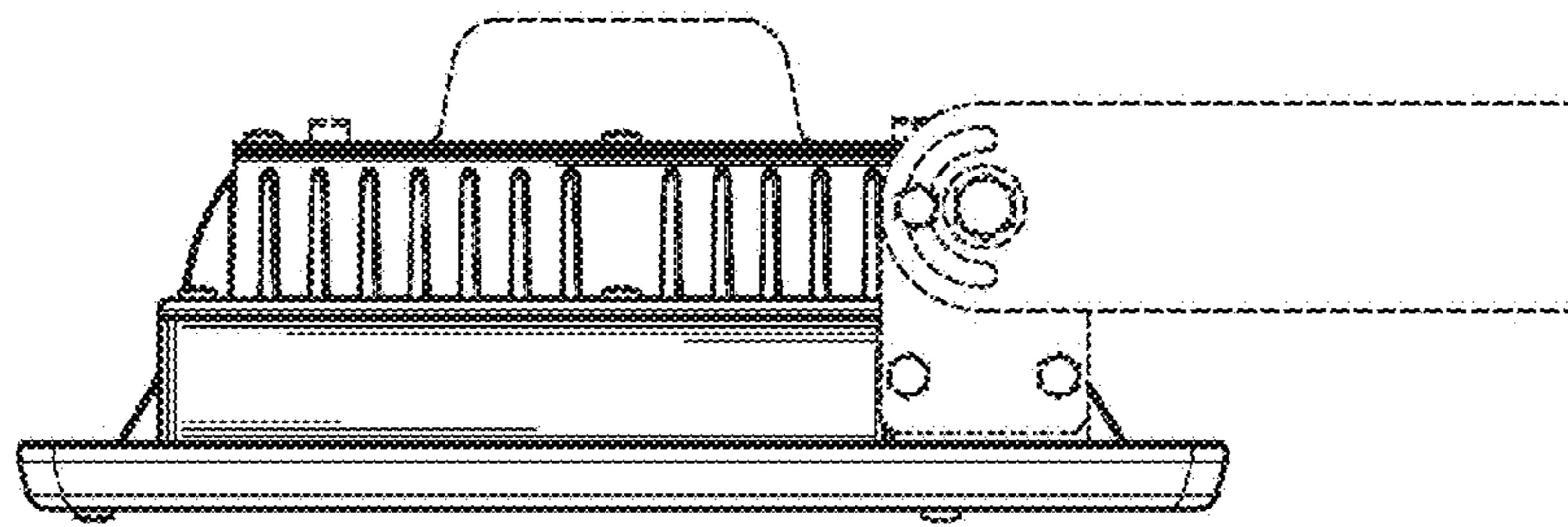


FIG. 5

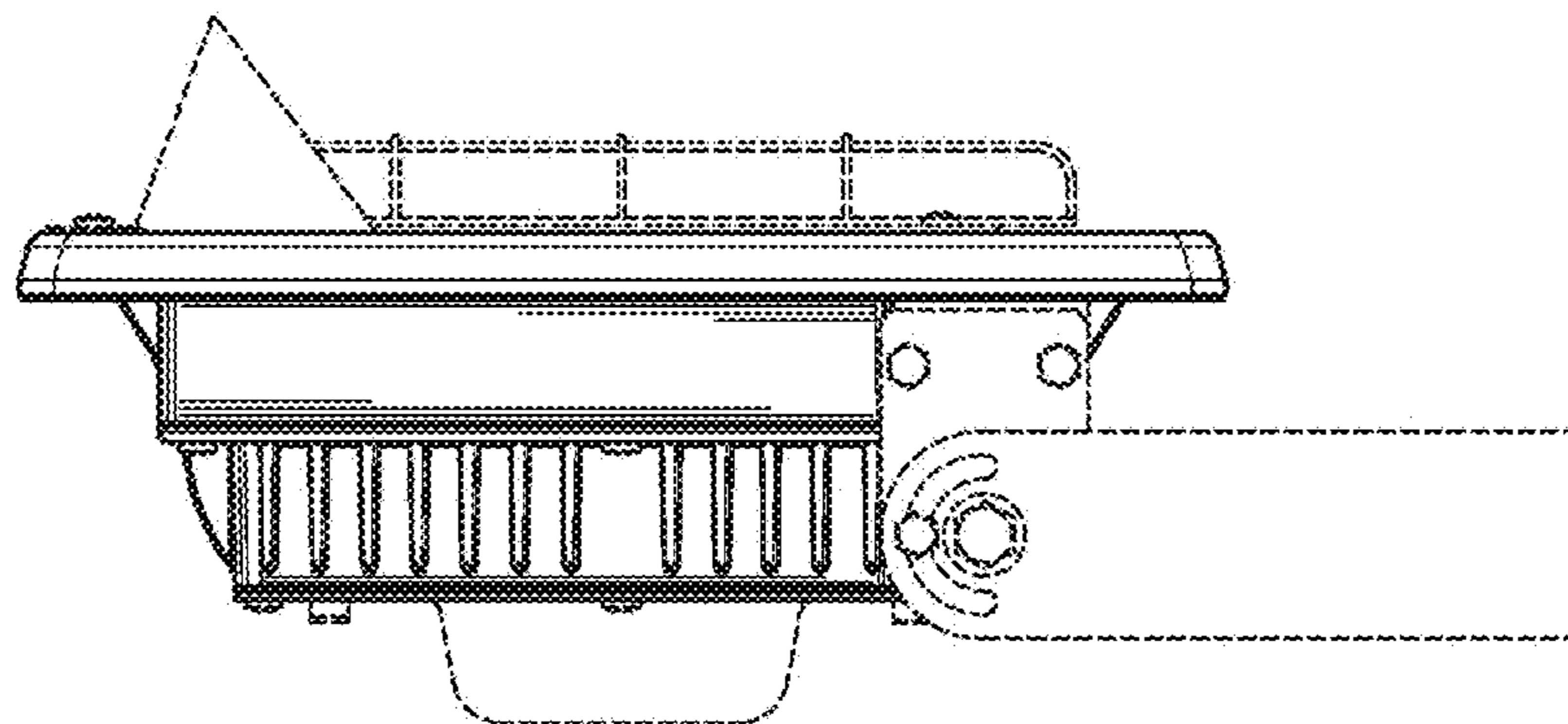


FIG. 4

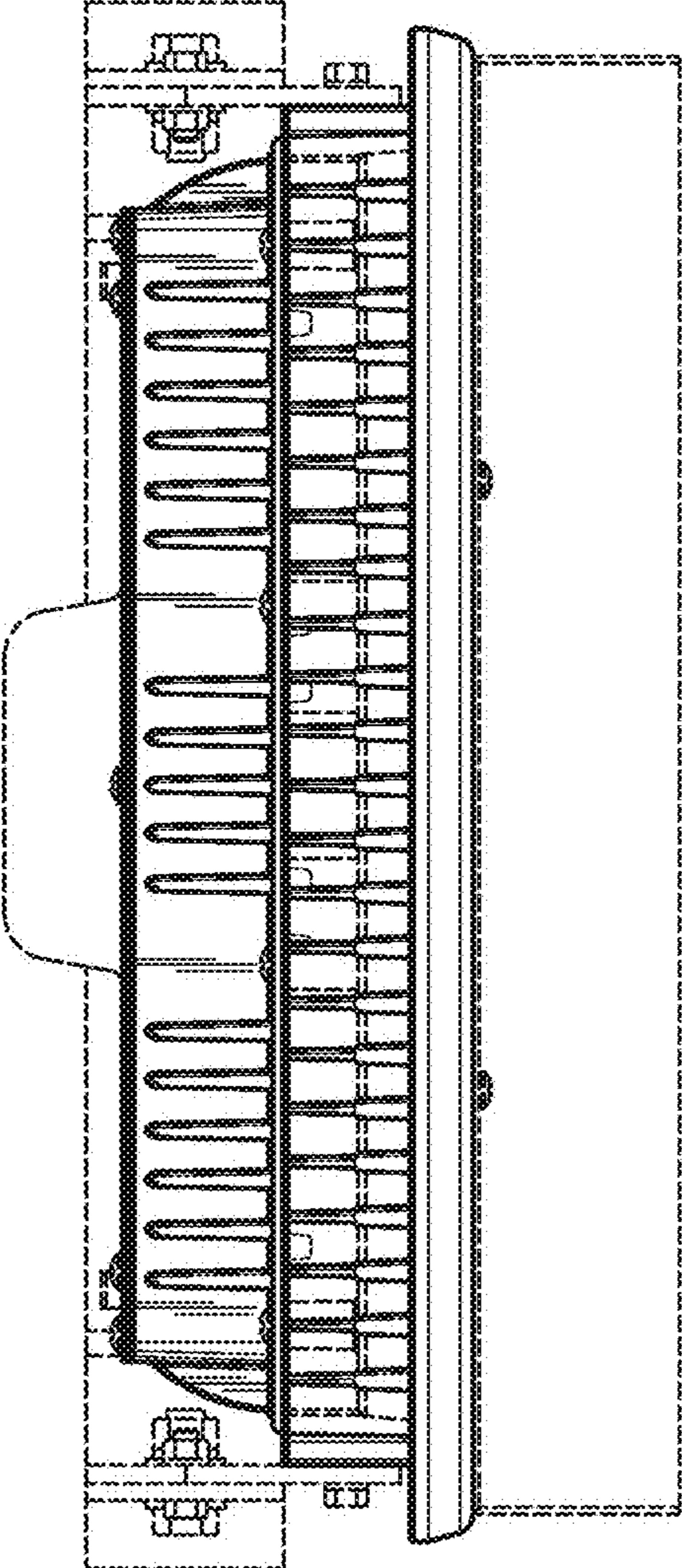


FIG.6

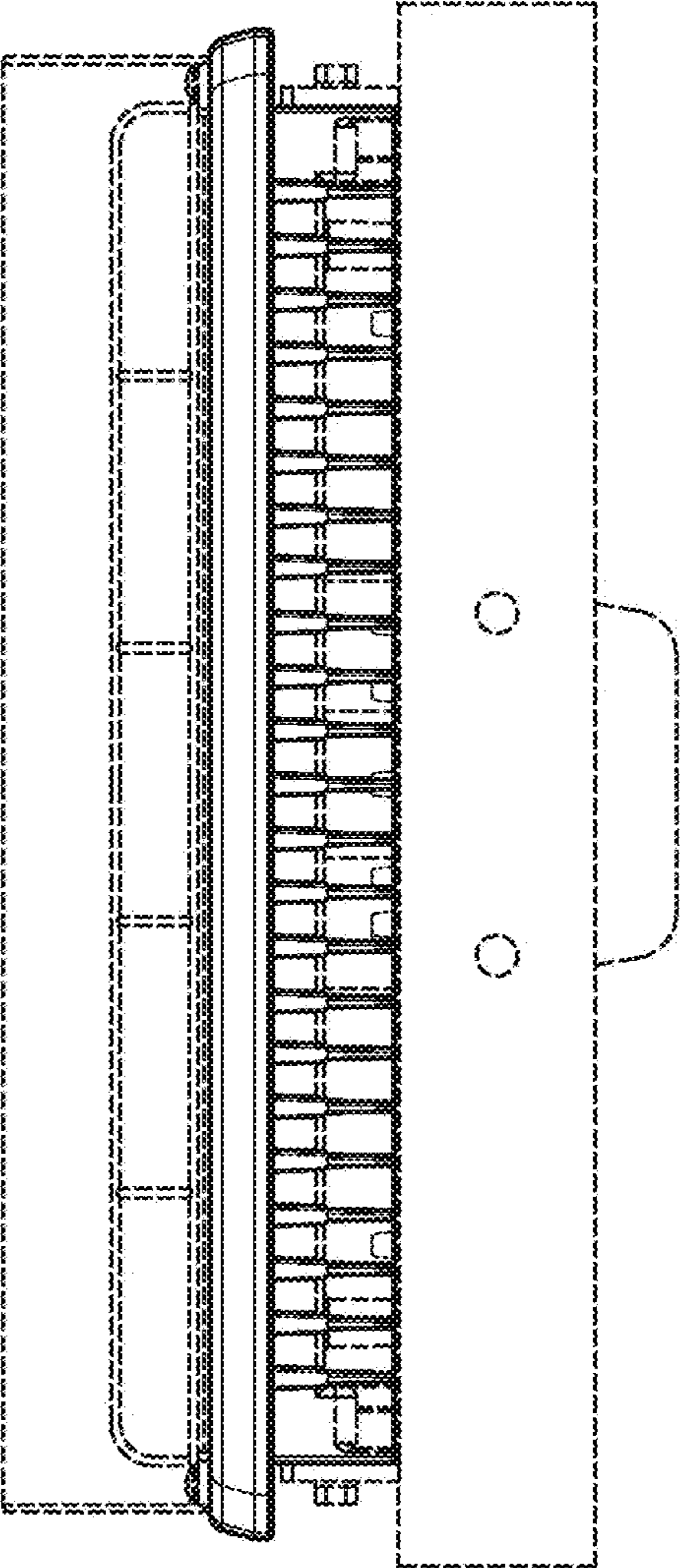


FIG.7

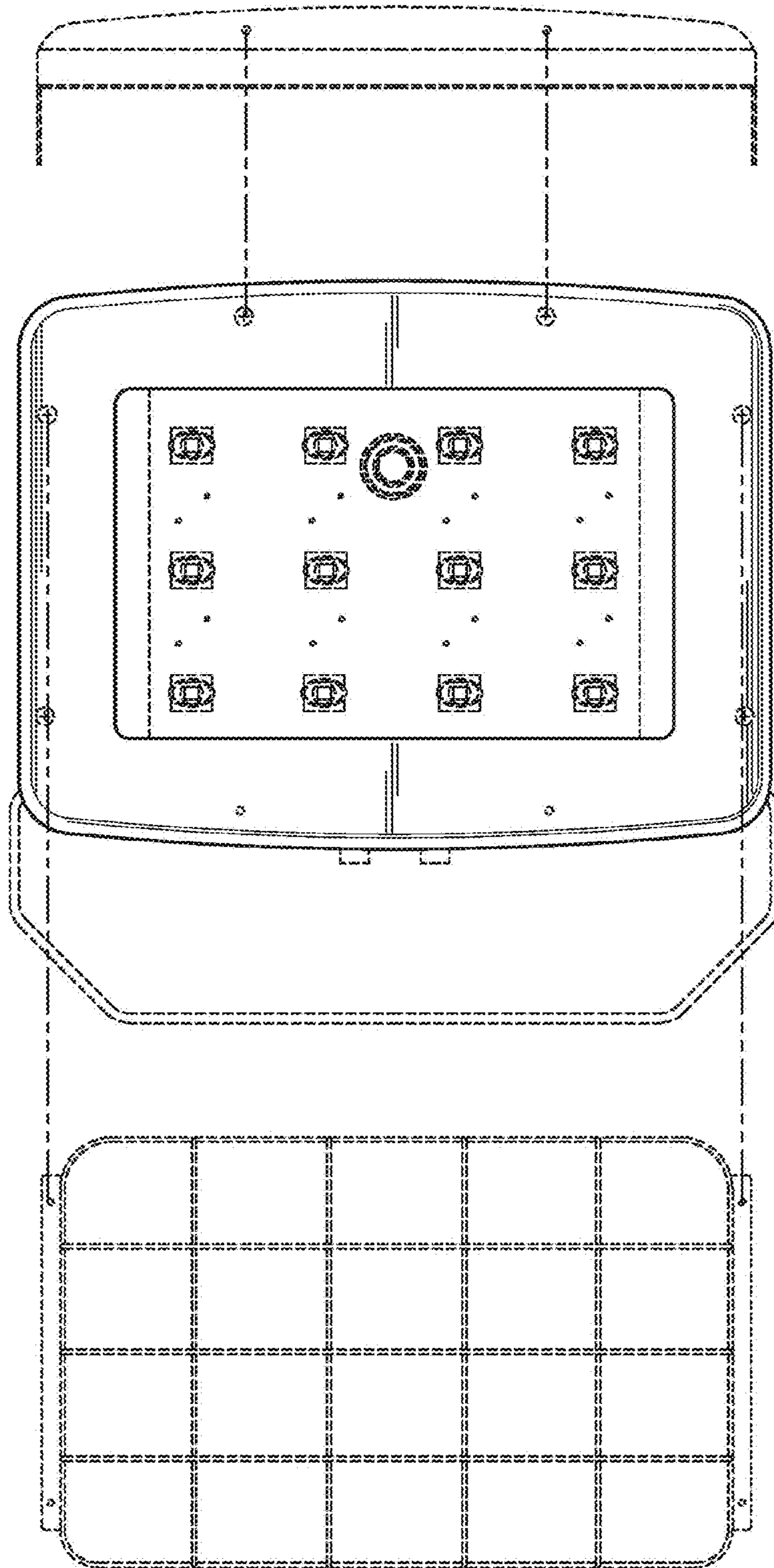


FIG. 8