



US00D690856S

(12) **United States Design Patent**
Shiu

(10) **Patent No.:** **US D690,856 S**

(45) **Date of Patent:** **** Oct. 1, 2013**

(54) **PORTABLE LIGHT SOURCE**

(75) Inventor: **Stephanie Wai Man Shiu**, New Territories (HK)

(73) Assignee: **Gold Coral International Limited**, Kowloon (HK)

(**) Term: **14 Years**

(21) Appl. No.: **29/418,853**

(22) Filed: **Apr. 23, 2012**

(30) **Foreign Application Priority Data**

Nov. 8, 2011 (HK) 1101959.7

(51) **LOC (9) Cl.** **26-02**

(52) **U.S. Cl.**
USPC **D26/39**

(58) **Field of Classification Search**
USPC D26/39, 37, 38, 46, 51; 362/103,
362/105, 106, 108, 157, 158, 183, 184, 194-199,
362/202-208

See application file for complete search history.

(56) **References Cited**

U.S. PATENT DOCUMENTS

D554,783 S * 11/2007 Shiu D26/39
D575,888 S * 8/2008 Shiu D26/39

D577,842 S * 9/2008 Kumthampinij et al. D26/39
D600,379 S * 9/2009 Petzl D26/39
D603,539 S * 11/2009 Shiu D26/39
D620,160 S * 7/2010 Kang et al. D26/39
D651,732 S * 1/2012 Hopkins D26/39
D658,323 S * 4/2012 Freschl D26/39
D676,992 S * 2/2013 Trude D26/39

* cited by examiner

Primary Examiner — Ian Simmons

Assistant Examiner — Carissa C Fitts

(74) *Attorney, Agent, or Firm* — Joseph G. Swan, P.C.

(57) **CLAIM**

The ornamental design for a portable light source, as shown and described.

DESCRIPTION

FIG. 1 is a front elevational view of a portable light source according to the present invention.

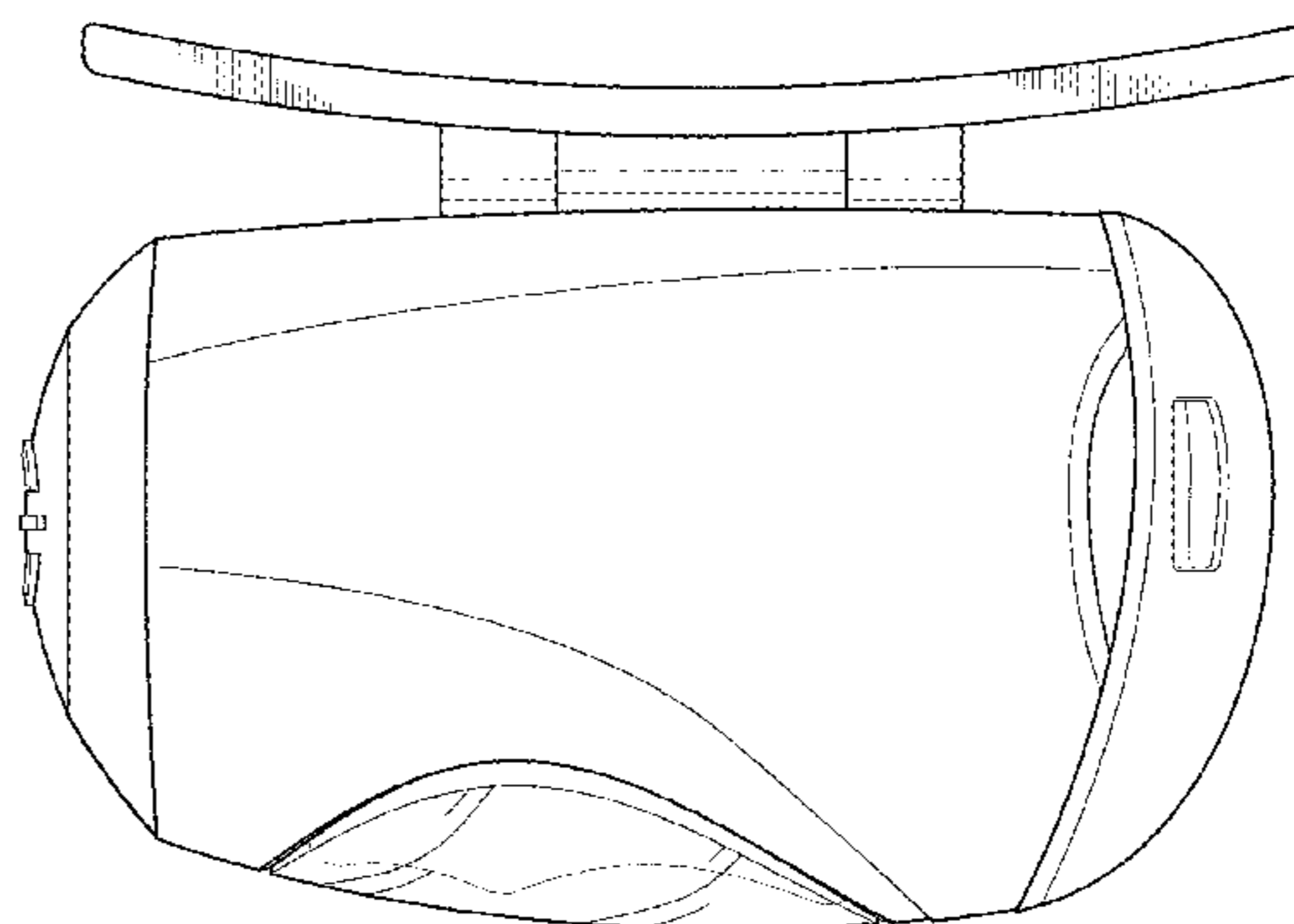
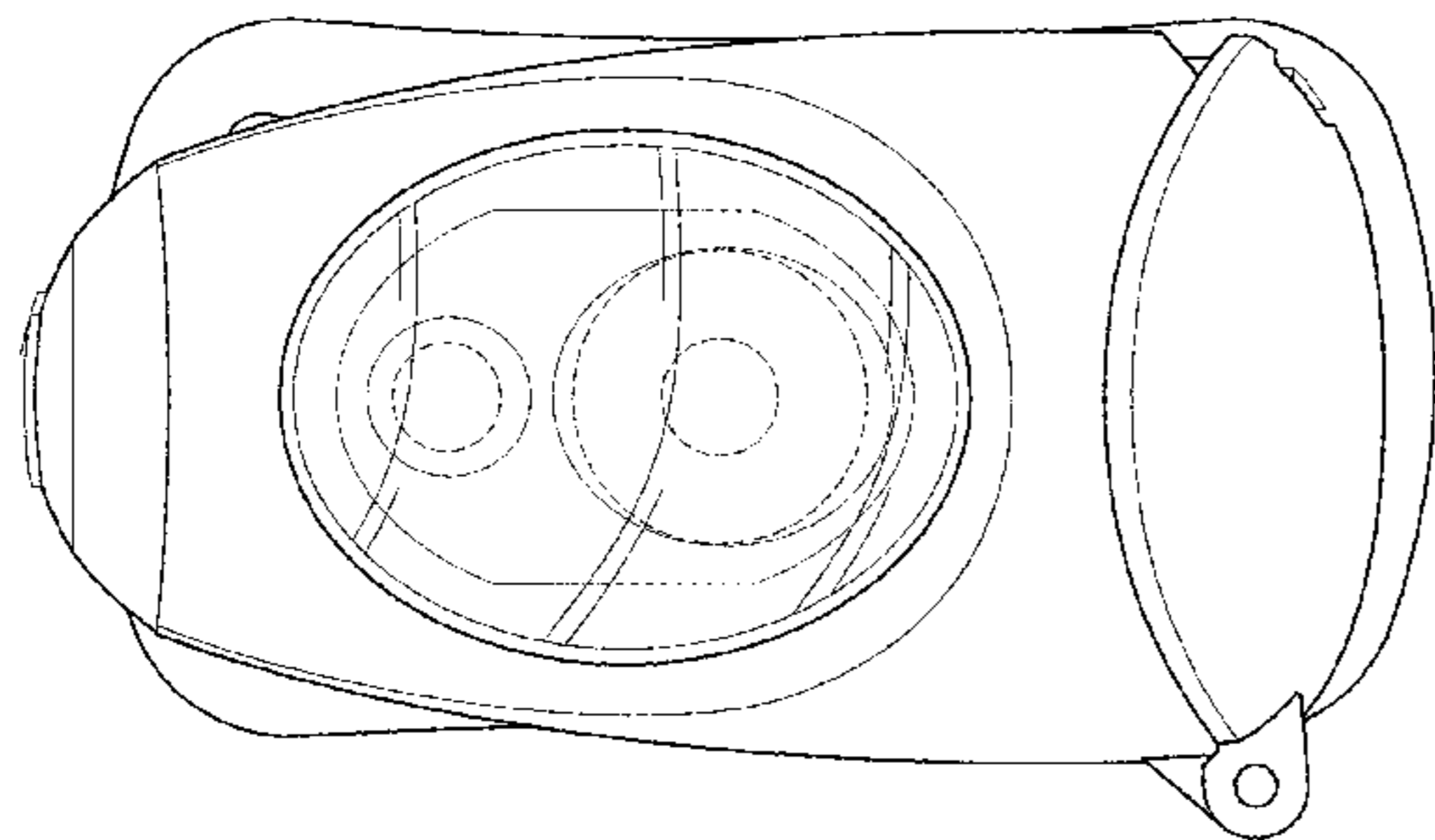
FIG. 2 is a rear elevational view of the portable light source. FIG. 3 is a right side elevational view of the portable light source.

FIG. 4 is a left side elevational view of the portable light source.

FIG. 5 is a top plan view of the portable light source; and, FIG. 6 is a bottom plan view of the portable light source.

The portions shown in broken lines are solely for the purpose of illustrating context and form no part of the claimed design.

1 Claim, 3 Drawing Sheets



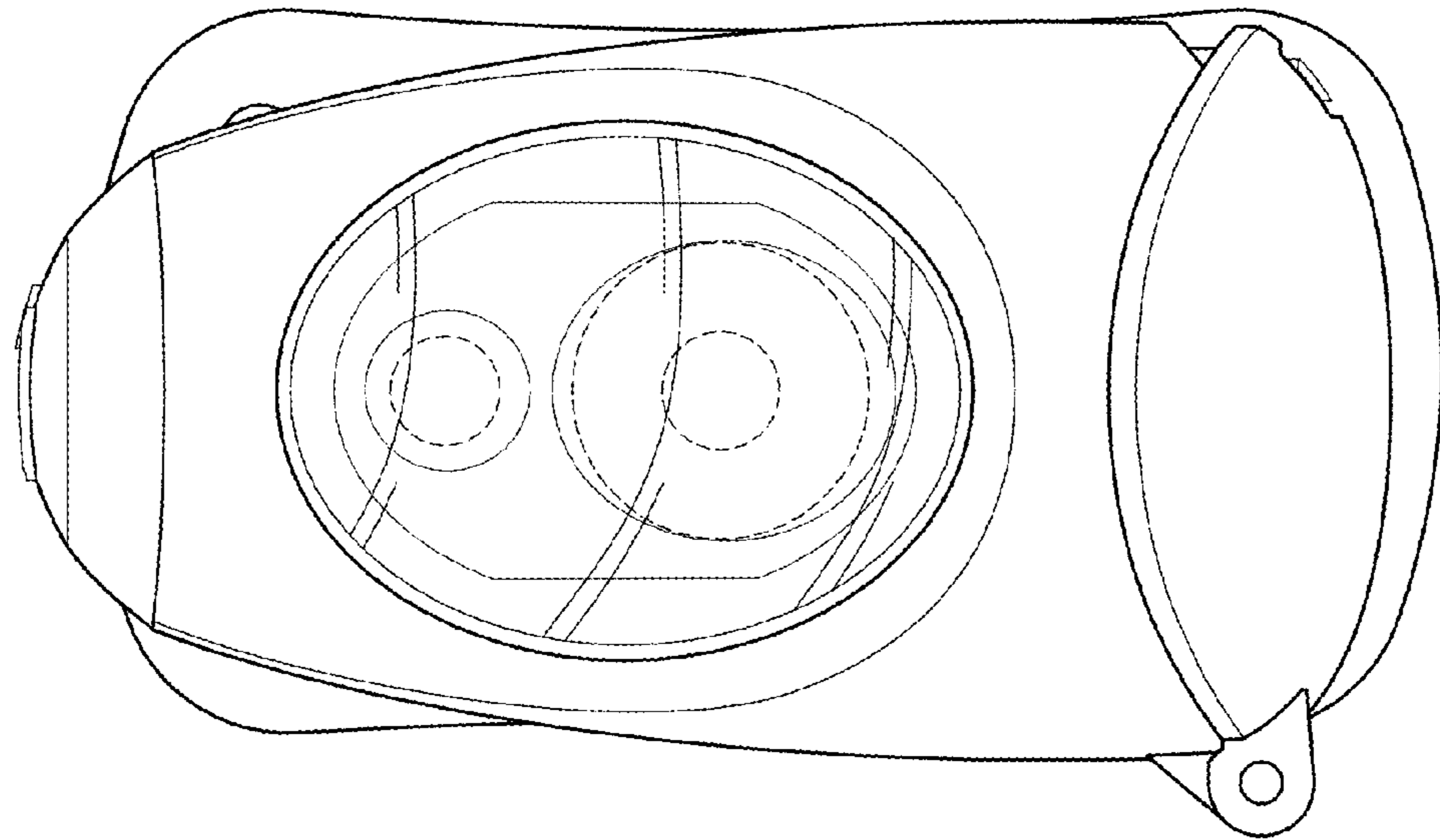


FIG. 1

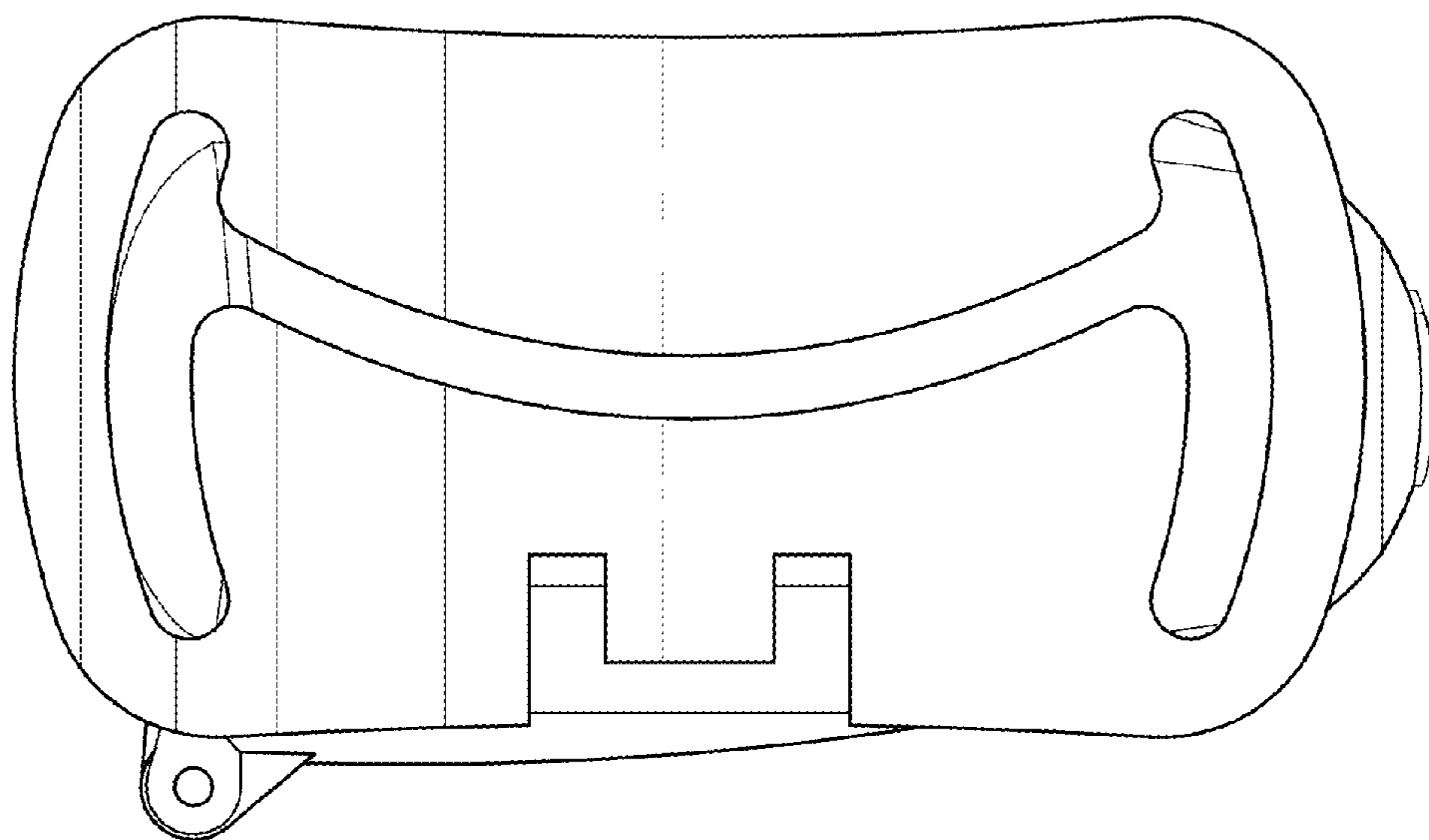


FIG. 2

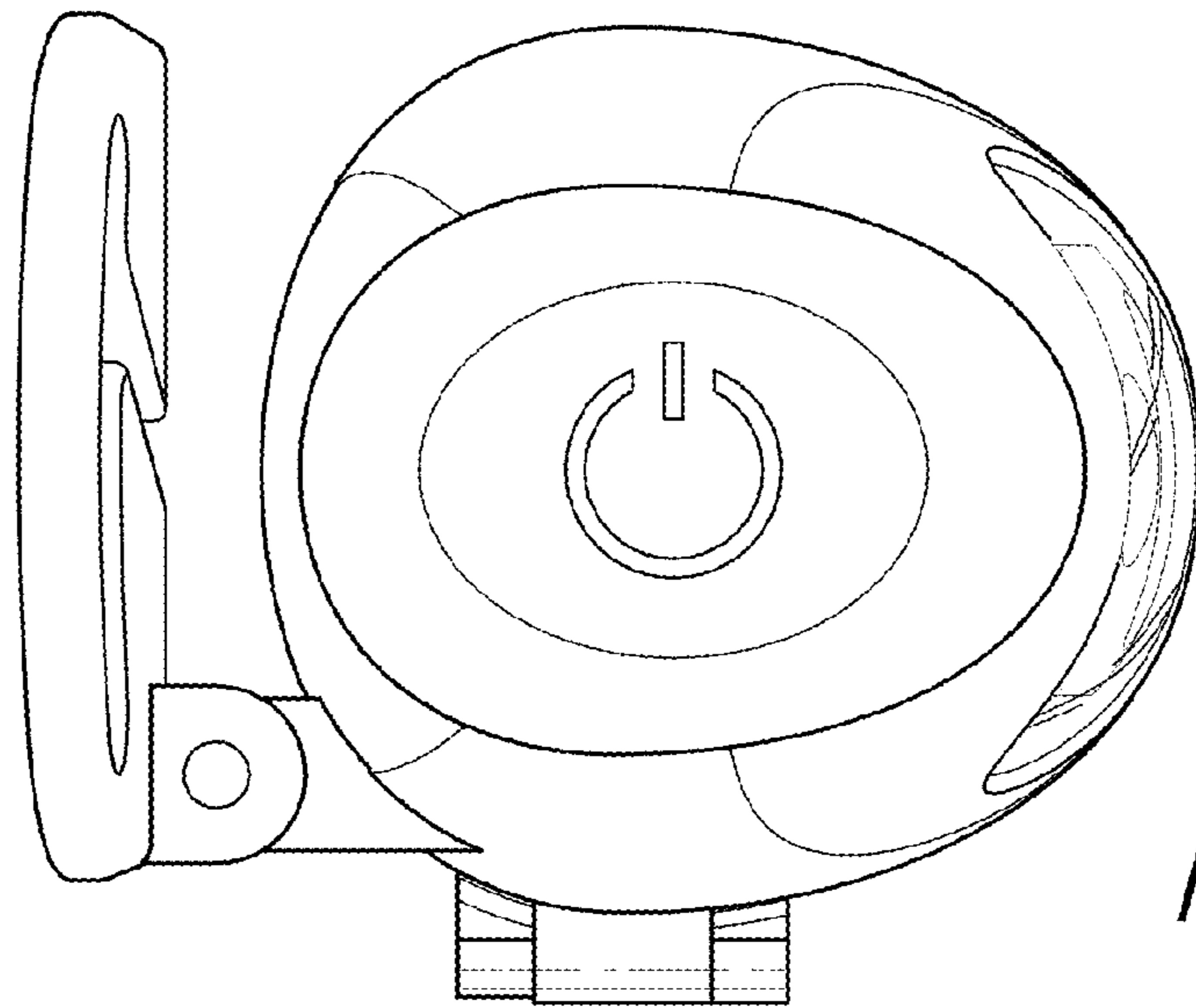


FIG. 3

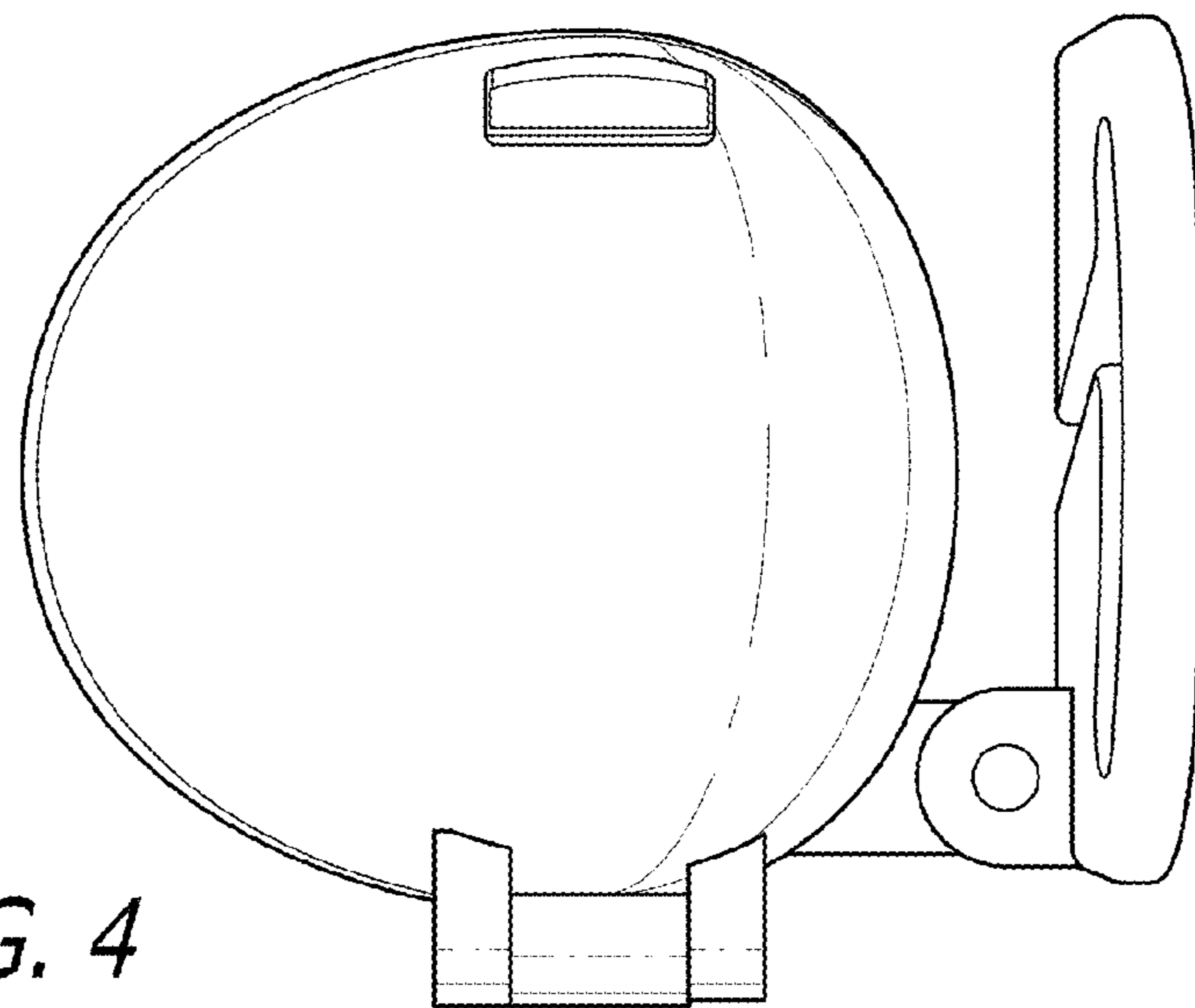


FIG. 4

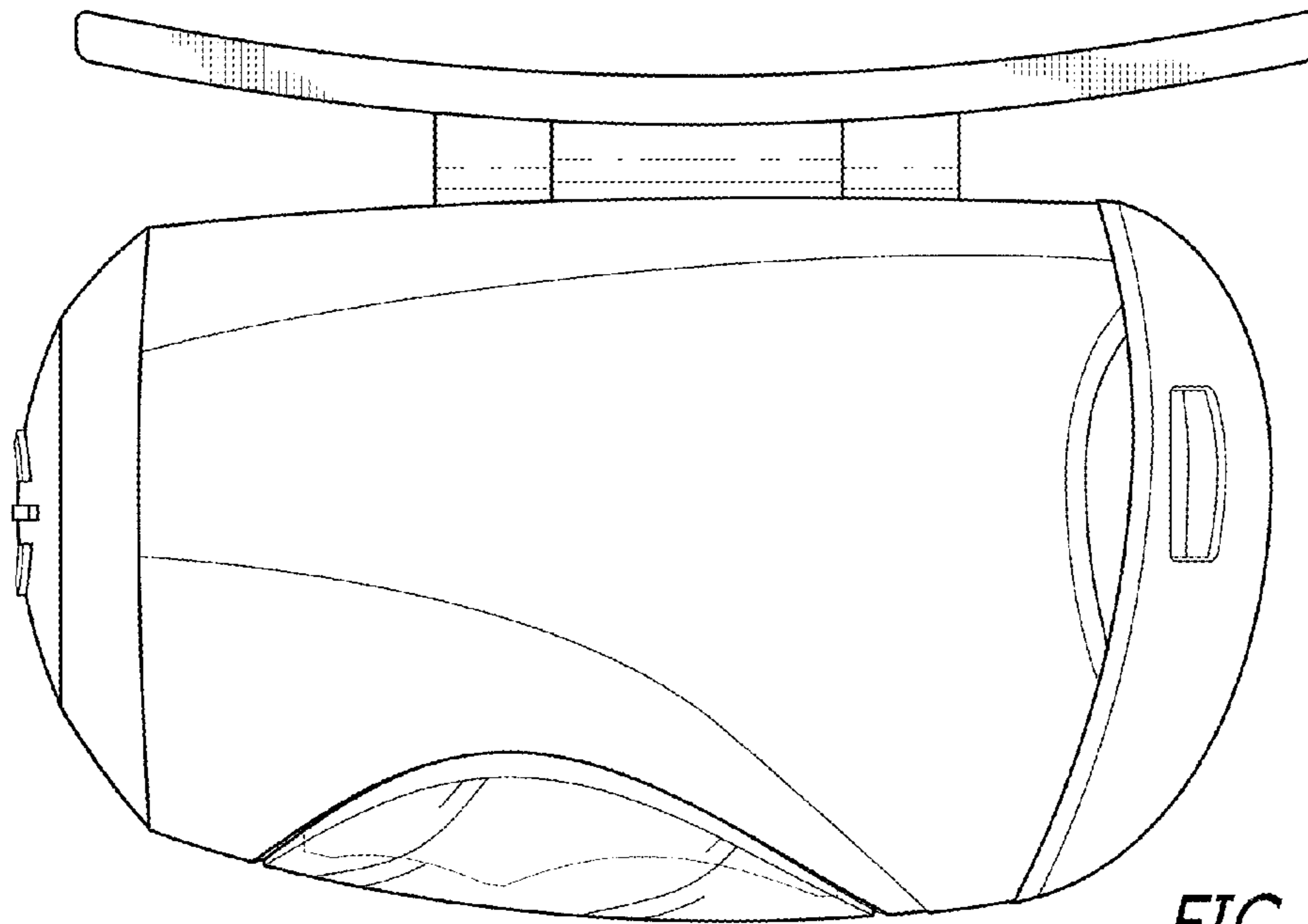


FIG. 5

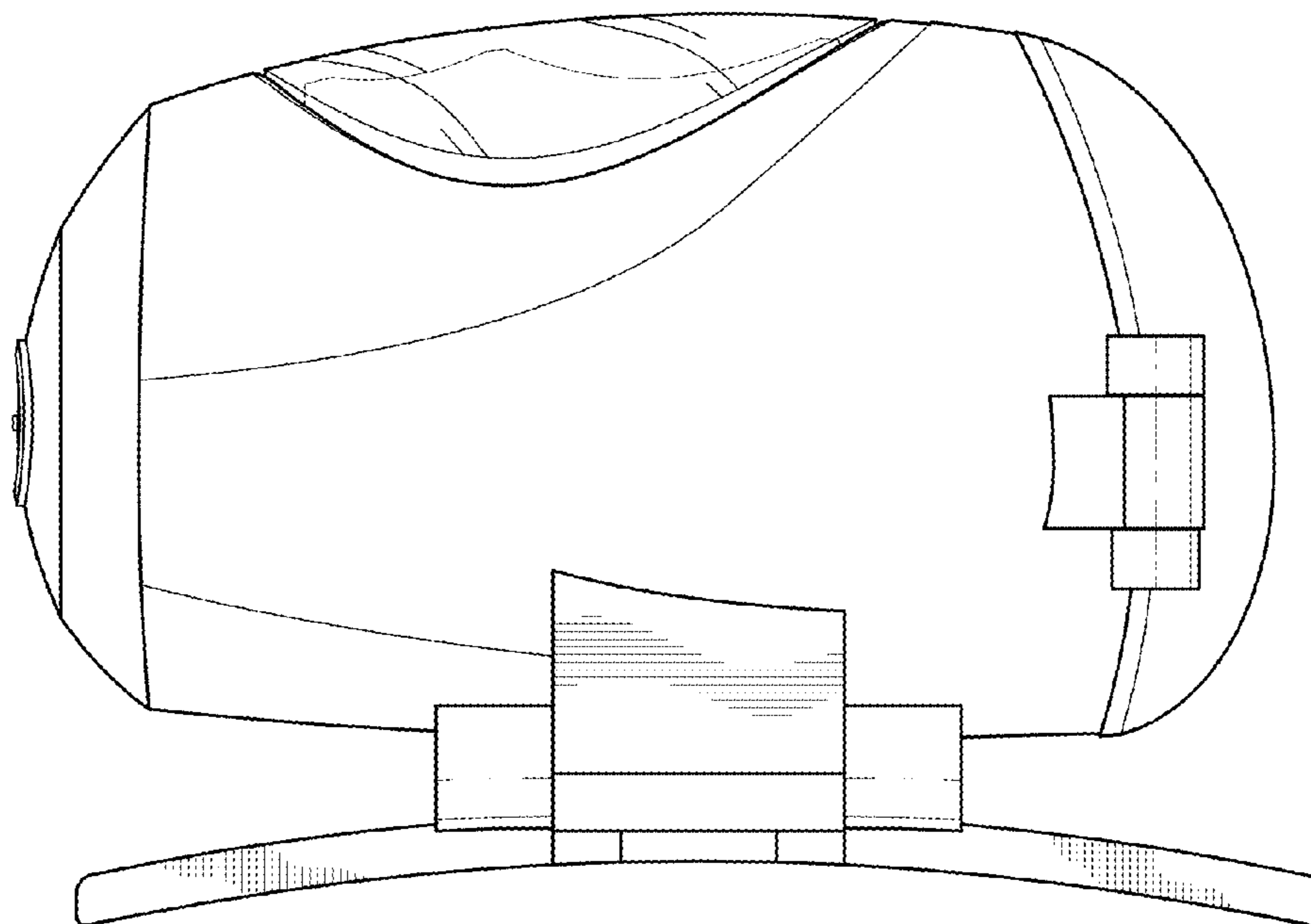


FIG. 6