



US00D690855S

(12) **United States Design Patent**
Araujo et al.

(10) **Patent No.:** **US D690,855 S**

(45) **Date of Patent:** **** Oct. 1, 2013**

- (54) **WEARABLE LIGHTING DEVICE**
- (75) Inventors: **Luis Araujo**, Las Vegas, NV (US);
Kevin Skehan, Las Vegas, NV (US);
Douglas J. Port, Huntington Beach, CA
(US); **John W. Matthews**, Newport
Beach, CA (US)
- (73) Assignee: **SureFire, LLC**, Fountain Valley, CA
(US)

| | | | | |
|-----------|-----|---------|----------------|--------|
| 7,023,763 | B2 | 4/2006 | Galli | |
| D524,974 | S * | 7/2006 | Zernov | D26/60 |
| D525,734 | S * | 7/2006 | Shiao | D26/39 |
| D526,079 | S | 8/2006 | Heun | |
| D531,335 | S | 10/2006 | Garrity | |
| D556,927 | S * | 12/2007 | Shiu | D26/39 |
| 7,303,306 | B2 | 12/2007 | Ross et al. | |
| D560,008 | S * | 1/2008 | Poon | D26/39 |
| D567,975 | S | 4/2008 | Wright et al. | |
| 7,399,099 | B2 | 7/2008 | Stokes | |
| D579,133 | S | 10/2008 | Shiu | |
| D596,325 | S | 7/2009 | Barbour | |
| D605,319 | S | 12/2009 | Devaney et al. | |

(**) Term: **14 Years**

(Continued)

(21) Appl. No.: **29/410,911**

OTHER PUBLICATIONS

U.S. Appl. No. 12/960,376, filed Dec. 3, 2010, inventors: Araujo et al.

(22) Filed: **Jan. 13, 2012**

(Continued)

(51) **LOC (9) Cl.** **26-02**

(52) **U.S. Cl.**
USPC **D26/39**

(58) **Field of Classification Search**
USPC D26/37, 38, 39, 46, 49, 60; 362/157,
362/158, 184, 194-208
See application file for complete search history.

Primary Examiner — Ian Simmons
Assistant Examiner — Carissa C Fitts
(74) *Attorney, Agent, or Firm* — Haynes and Boone, LLP

(57) **CLAIM**

The ornamental design for a wearable lighting device, as shown and described.

(56) **References Cited**

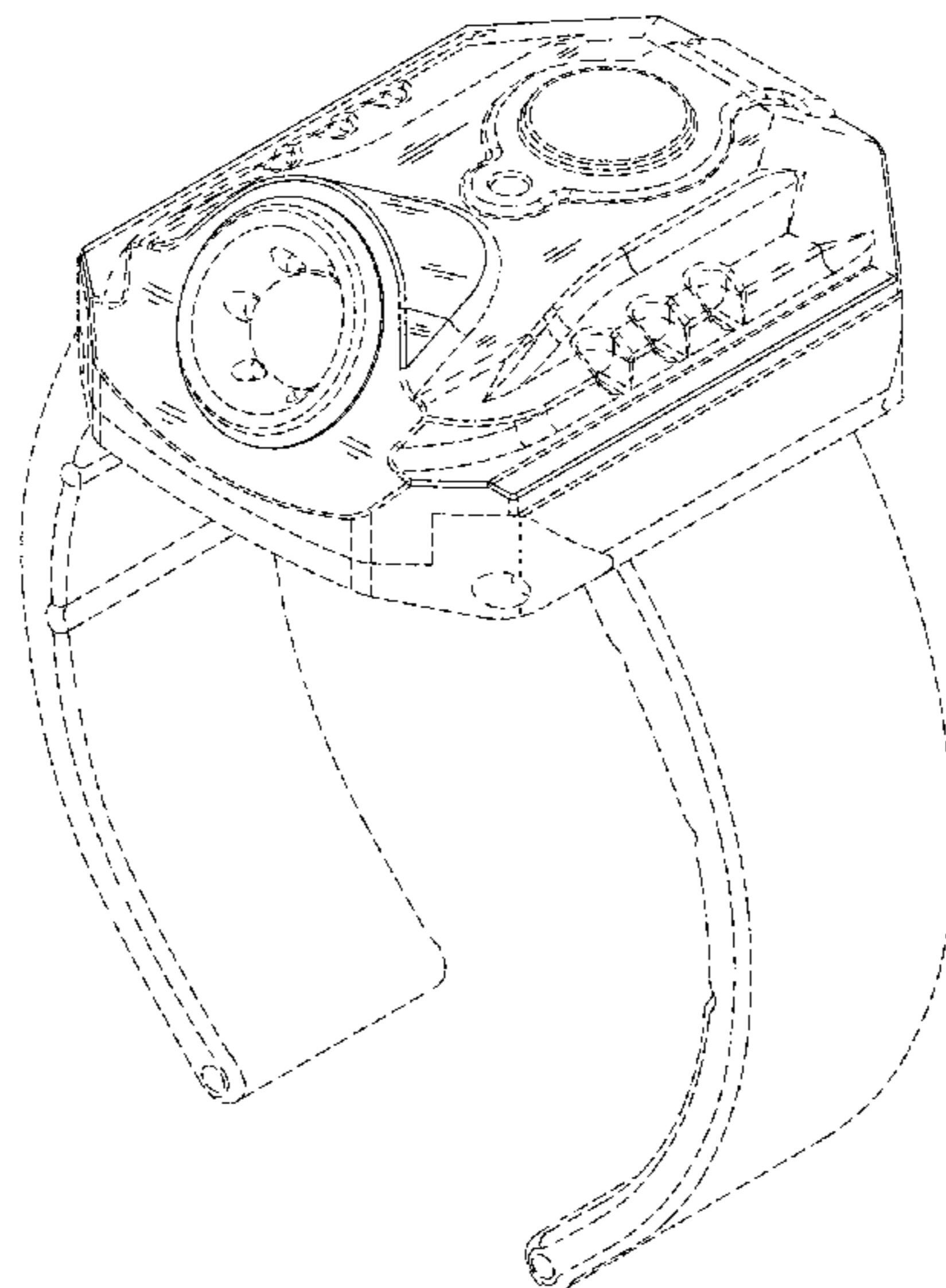
DESCRIPTION

U.S. PATENT DOCUMENTS

| | | | | |
|-----------|-----|---------|----------------------|---------|
| 2,805,326 | A * | 9/1957 | Schwartz | 362/103 |
| 4,319,309 | A | 3/1982 | Benoit | |
| 4,425,600 | A | 1/1984 | Barnhart | |
| D324,579 | S * | 3/1992 | Crabtree, Jr. | D26/39 |
| 5,191,197 | A | 3/1993 | Metlitsky et al. | |
| 5,193,896 | A * | 3/1993 | Oberlander | 362/103 |
| D353,012 | S | 11/1994 | Mihavetz | |
| D361,143 | S | 8/1995 | Helvey | |
| D362,736 | S | 9/1995 | Leather | |
| 5,880,154 | A | 3/1999 | Coulter et al. | |
| 5,904,280 | A | 5/1999 | Chan | |
| 6,213,619 | B1 | 4/2001 | Yu | |
| 6,550,930 | B1 | 4/2003 | Portouche | |
| D485,382 | S | 1/2004 | Palm | |
| D500,377 | S * | 12/2004 | Yamamoto et al. | D26/39 |

FIG. 1 is a front perspective view of a wearable lighting device showing the new design;
FIG. 2 is a rear perspective view thereof;
FIG. 3 is a front side elevational view thereof;
FIG. 4 is a rear side elevational view thereof;
FIG. 5 is a right side elevational view thereof;
FIG. 6 is a left side elevational view thereof;
FIG. 7 is a top plan view thereof; and,
FIG. 8 is a bottom plan view thereof.
The broken lines in the drawings illustrate environmental features and form no part of the claimed design.

1 Claim, 8 Drawing Sheets



(56)

References Cited

U.S. PATENT DOCUMENTS

D608,485 S 1/2010 Liao et al.
D615,678 S * 5/2010 DeBrunner D26/39
D615,680 S 5/2010 Kim
7,815,334 B2 10/2010 Sherman
D649,272 S 11/2011 Araujo et al.
D658,323 S * 4/2012 Freschl D26/39
8,157,401 B2 * 4/2012 Lau 362/105
2001/0048596 A1 12/2001 Kerr
2003/0002297 A1 1/2003 Nemtsev
2005/0018544 A1* 1/2005 Galli 368/67
2005/0254229 A1 11/2005 Hamade et al.

2007/0058362 A1 3/2007 Winfrey
2007/0147025 A1 6/2007 Shirey
2007/0279894 A1 12/2007 Esses
2008/0062676 A1 3/2008 Masuda
2009/0108039 A1 4/2009 Sherman
2009/0167542 A1 7/2009 Culbert et al.
2009/0284216 A1 11/2009 Bessa et al.

OTHER PUBLICATIONS

U.S. Appl. No. 29/410,915, filed Jan. 13, 2012, inventors: Araujo et al.

* cited by examiner

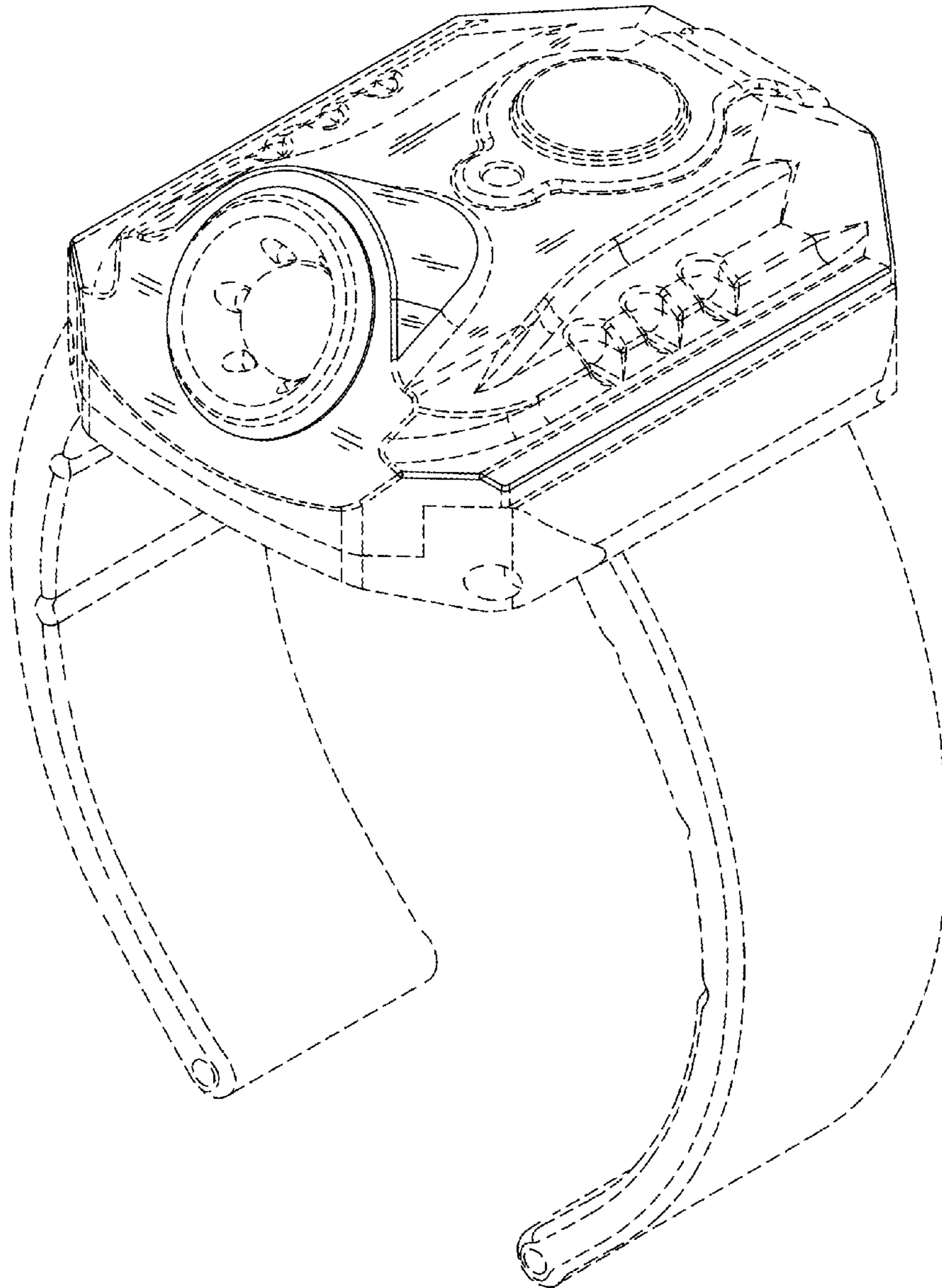


FIG. 1

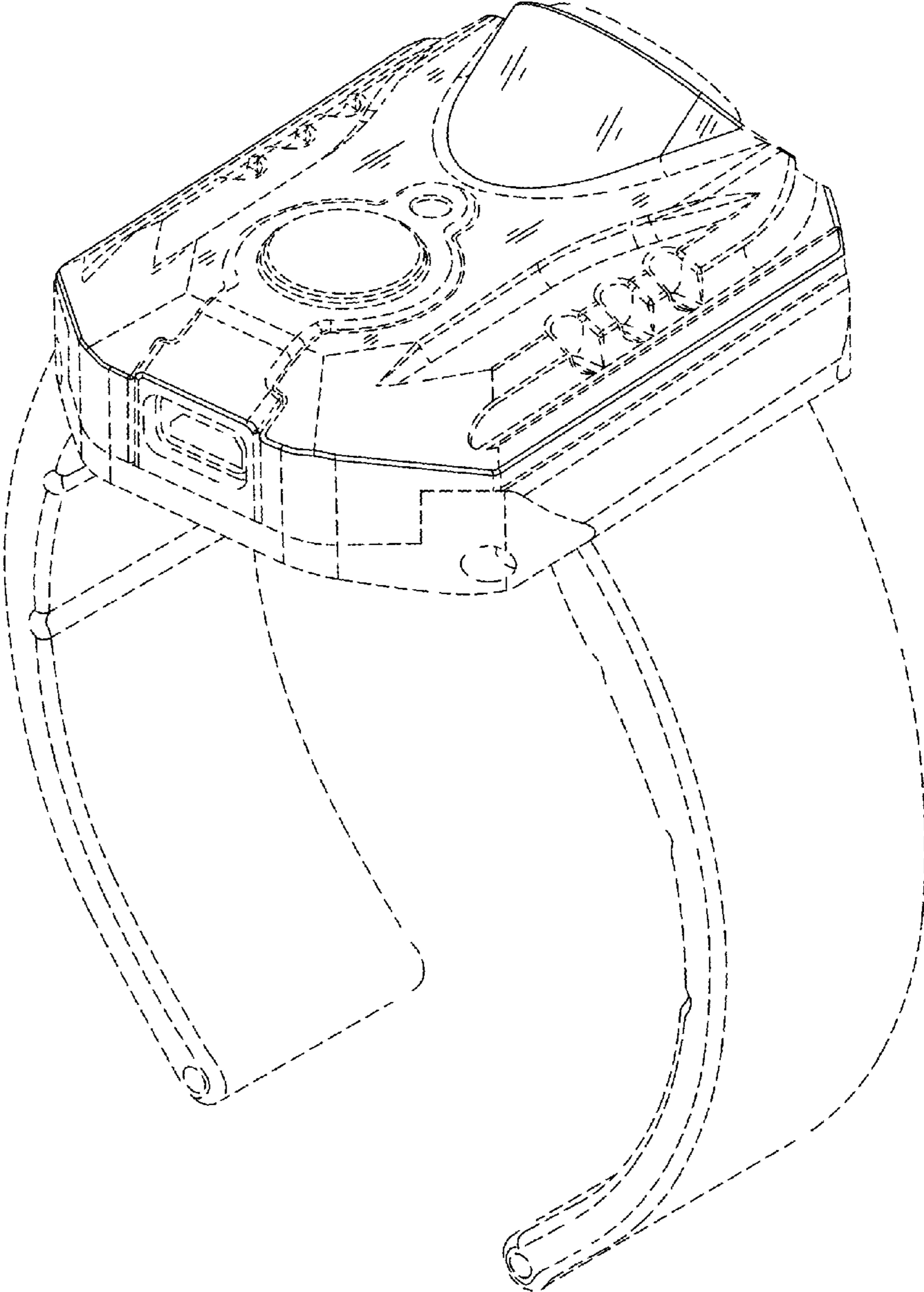


FIG. 2

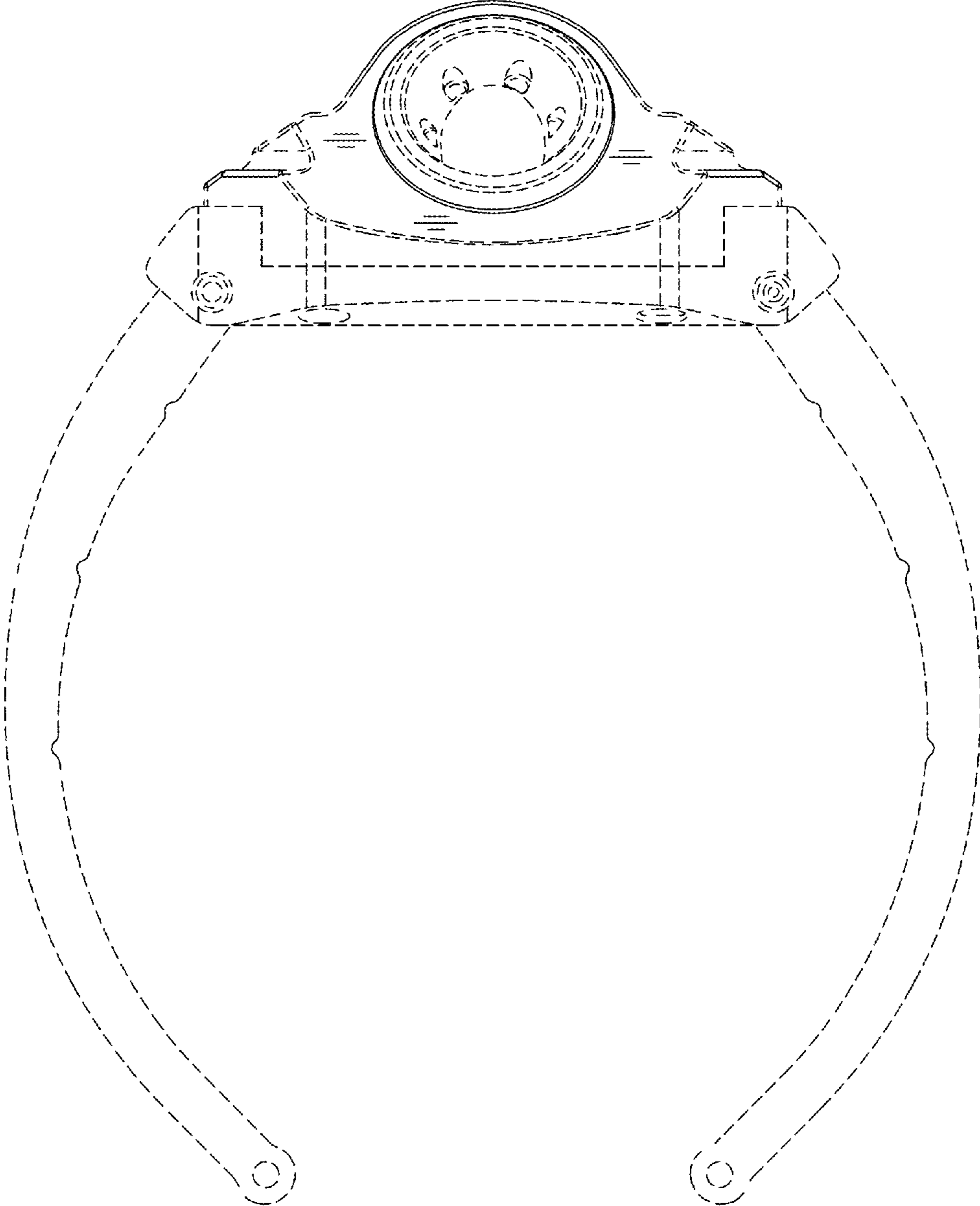


FIG. 3

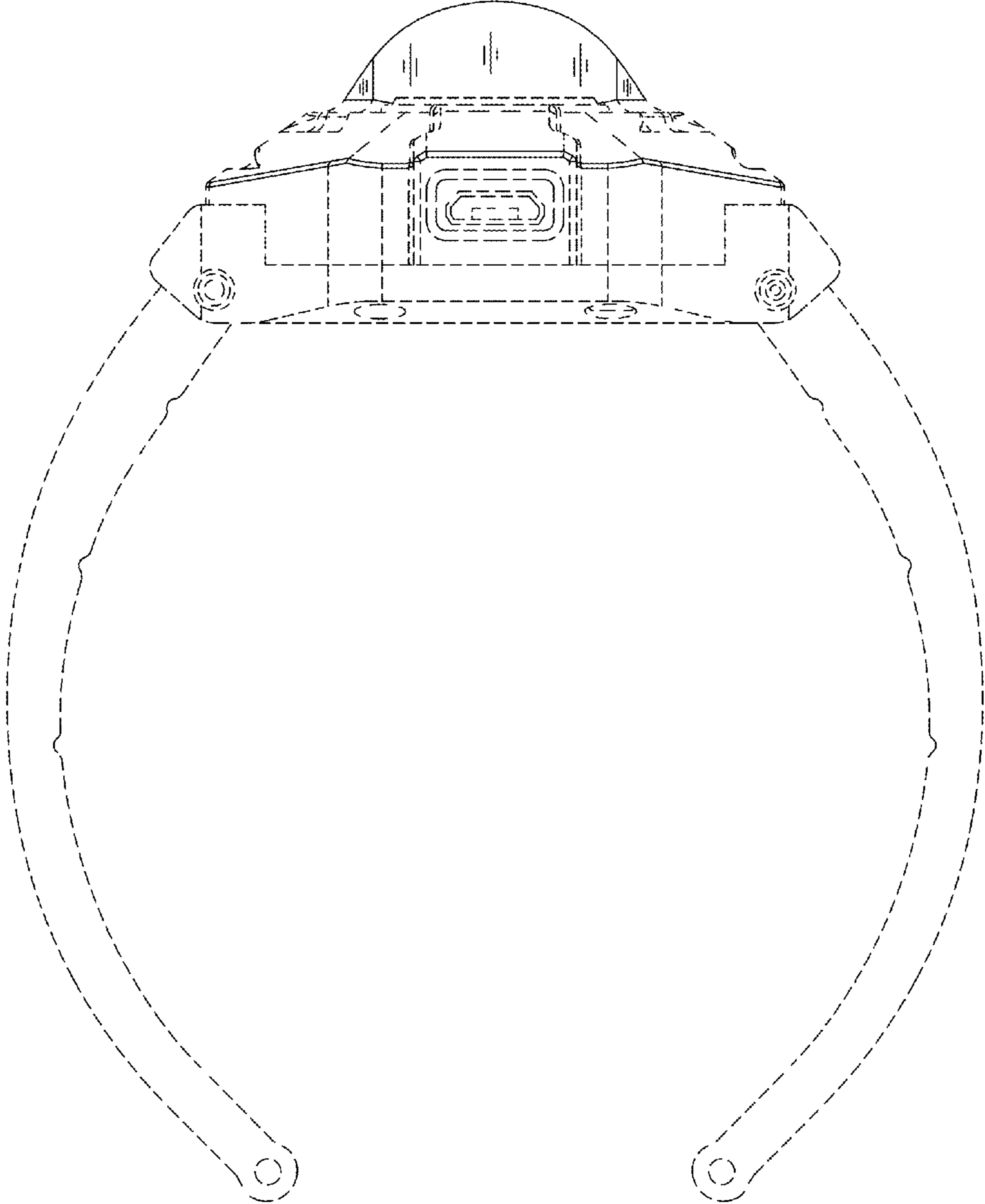


FIG. 4

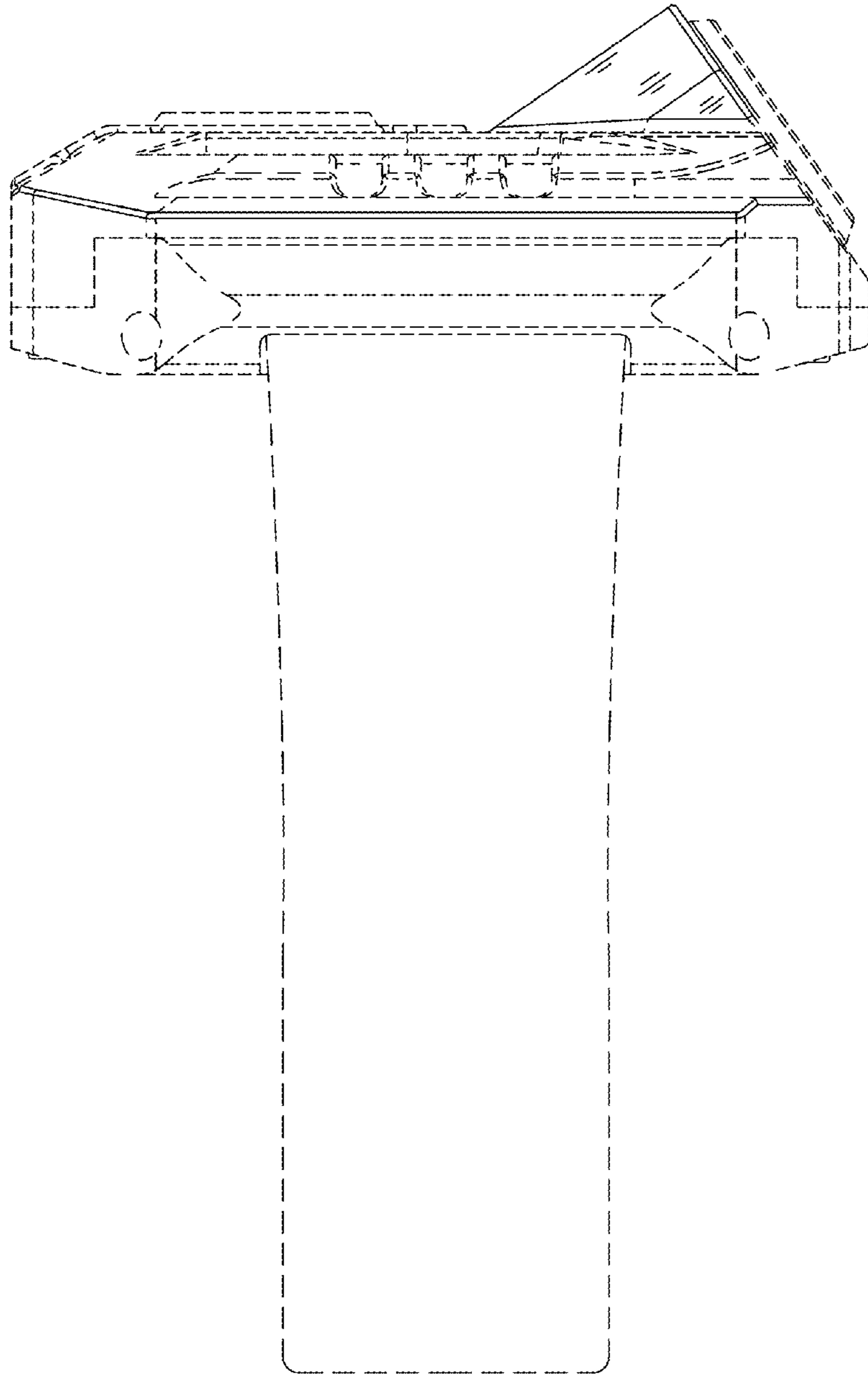


FIG. 5

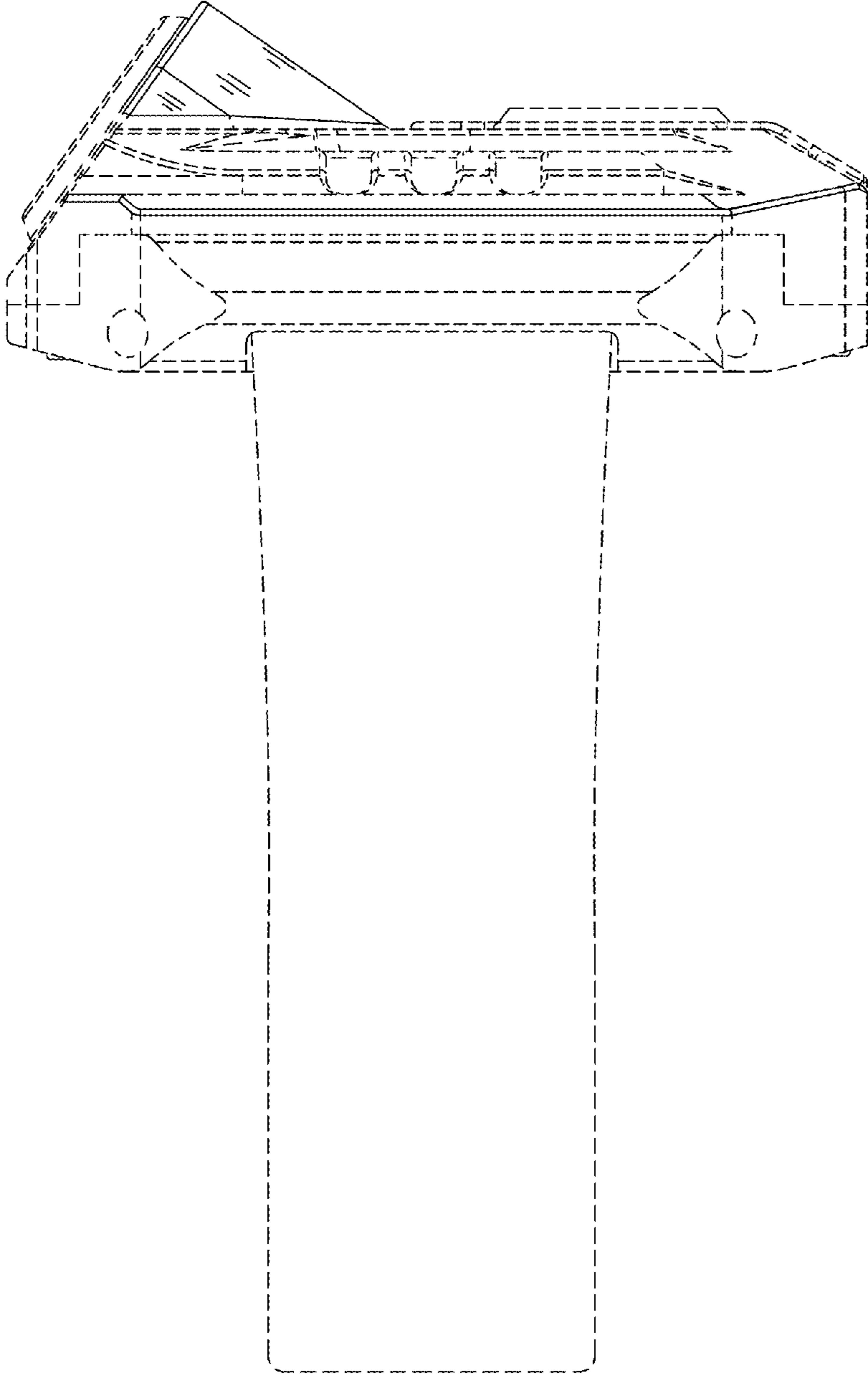


FIG. 6

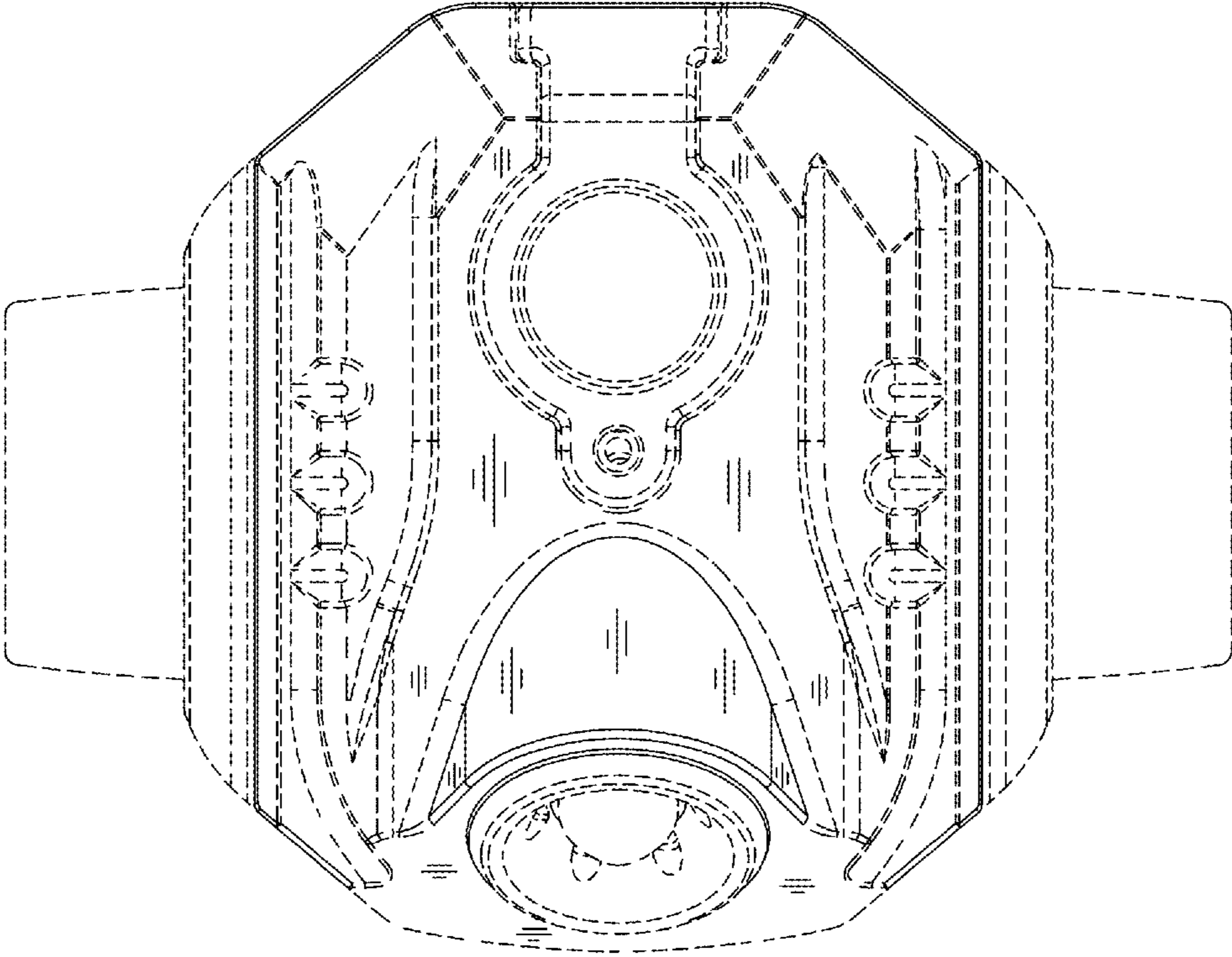


FIG. 7

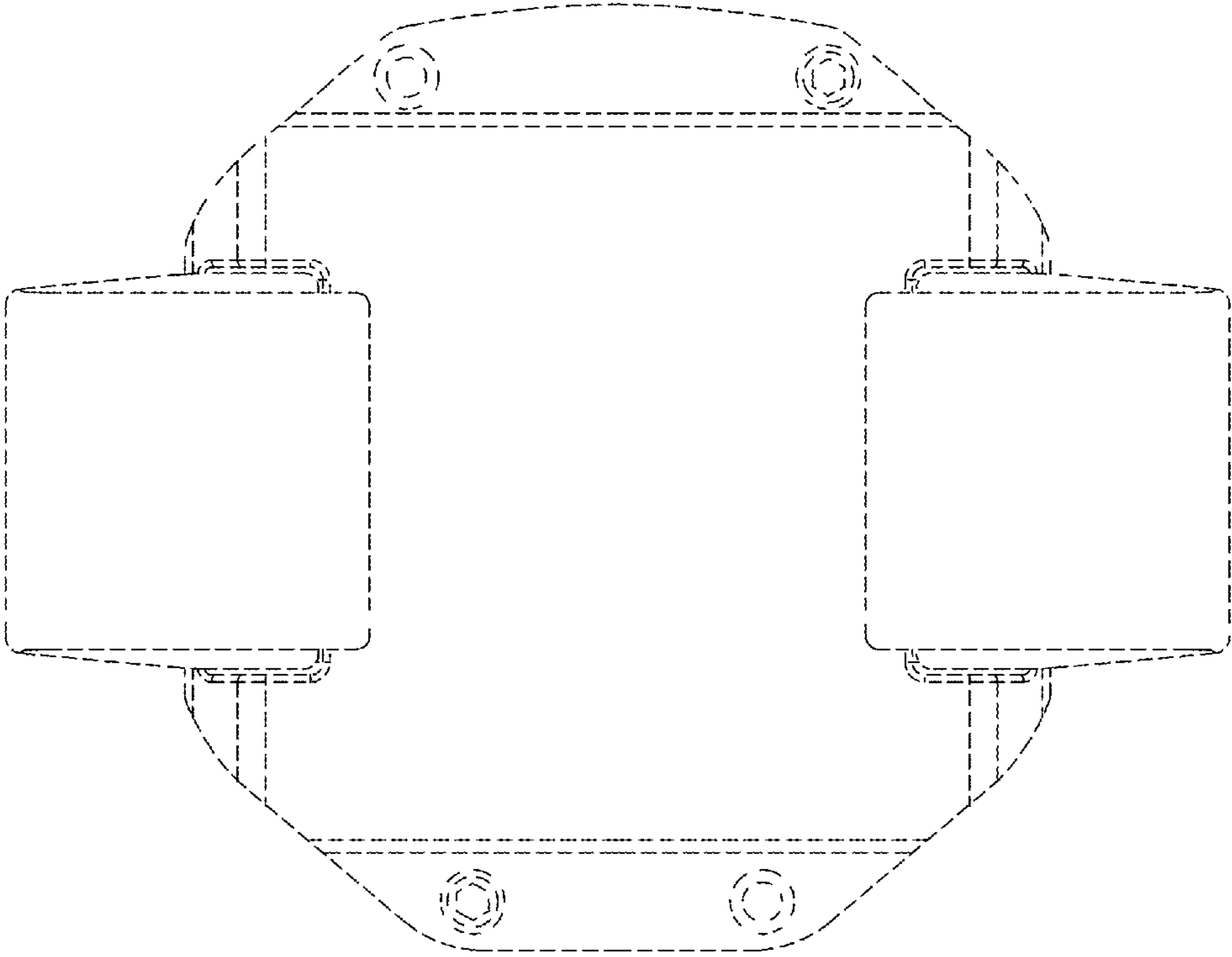


FIG. 8