



US00D690854S

(12) **United States Design Patent**
Janssen

(10) **Patent No.:** **US D690,854 S**
(45) **Date of Patent:** **** Oct. 1, 2013**

(54) **BICYCLE LED LIGHT**

(75) Inventor: **Ramon Janssen**, Eindhoven (NL)

(73) Assignee: **Koninklijke Philips Electronics N.V.**,
Eindhoven (NL)

(**) Term: **14 Years**

(21) Appl. No.: **29/414,337**

(22) Filed: **Feb. 28, 2012**

(30) **Foreign Application Priority Data**

Aug. 30, 2011 (EM) 001909789-0002

(51) **LOC (9) Cl.** **26-03**

(52) **U.S. Cl.**
USPC **D26/29**

(58) **Field of Classification Search**
USPC D26/28-36, 60-66, 67-71; 362/459-468,
362/475-478, 485-487, 153.1, 431, 157-159,
362/174-177, 183, 396, 187, 188, 190, 191,
362/197, 198, 269, 270, 274, 277, 278, 282,
362/285, 287, 288, 418, 427

See application file for complete search history.

(56) **References Cited**

U.S. PATENT DOCUMENTS

D615,229	S	*	5/2010	van Klinken	D26/63
D629,539	S	*	12/2010	Rettenbacher et al.	D26/28
D663,453	S	*	7/2012	Nagano	D26/28
D672,071	S	*	12/2012	Cohen	D26/31
D678,562	S	*	3/2013	Chan	D26/28
D679,038	S	*	3/2013	Hamasaki	D26/28
D679,040	S	*	3/2013	Cen et al.	D26/28

* cited by examiner

Primary Examiner — Brian N Vinson

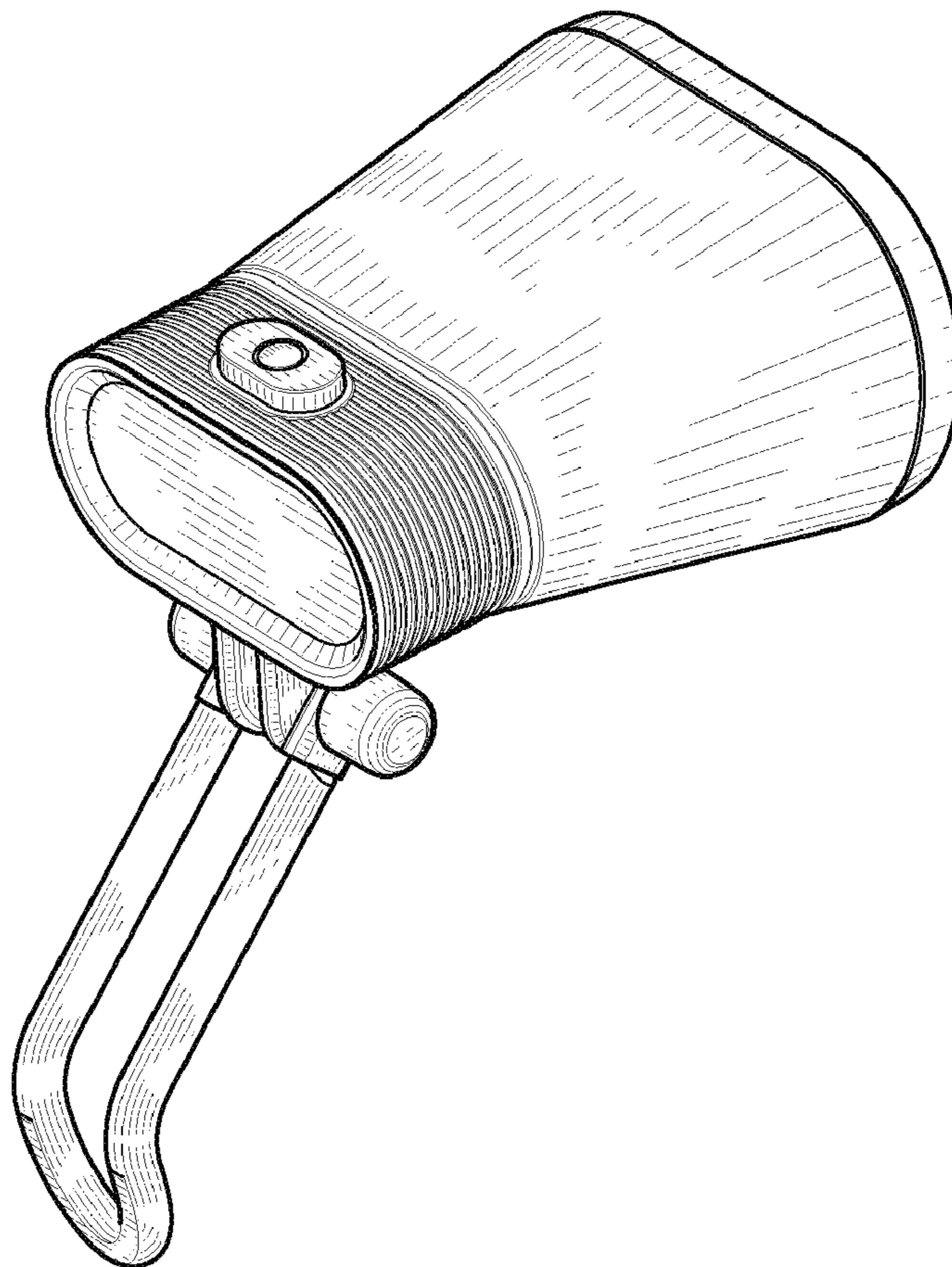
(57) **CLAIM**

The ornamental design for a bicycle LED light, as shown.

DESCRIPTION

FIG. 1 is a perspective view showing my design;
FIG. 2 is a front elevational view thereof;
FIG. 3 is a rear elevational view thereof;
FIG. 4 is a right side elevational view thereof;
FIG. 5 is a left side elevational view thereof;
FIG. 6 is a top plan view thereof; and,
FIG. 7 is a bottom plan view thereof.

1 Claim, 4 Drawing Sheets



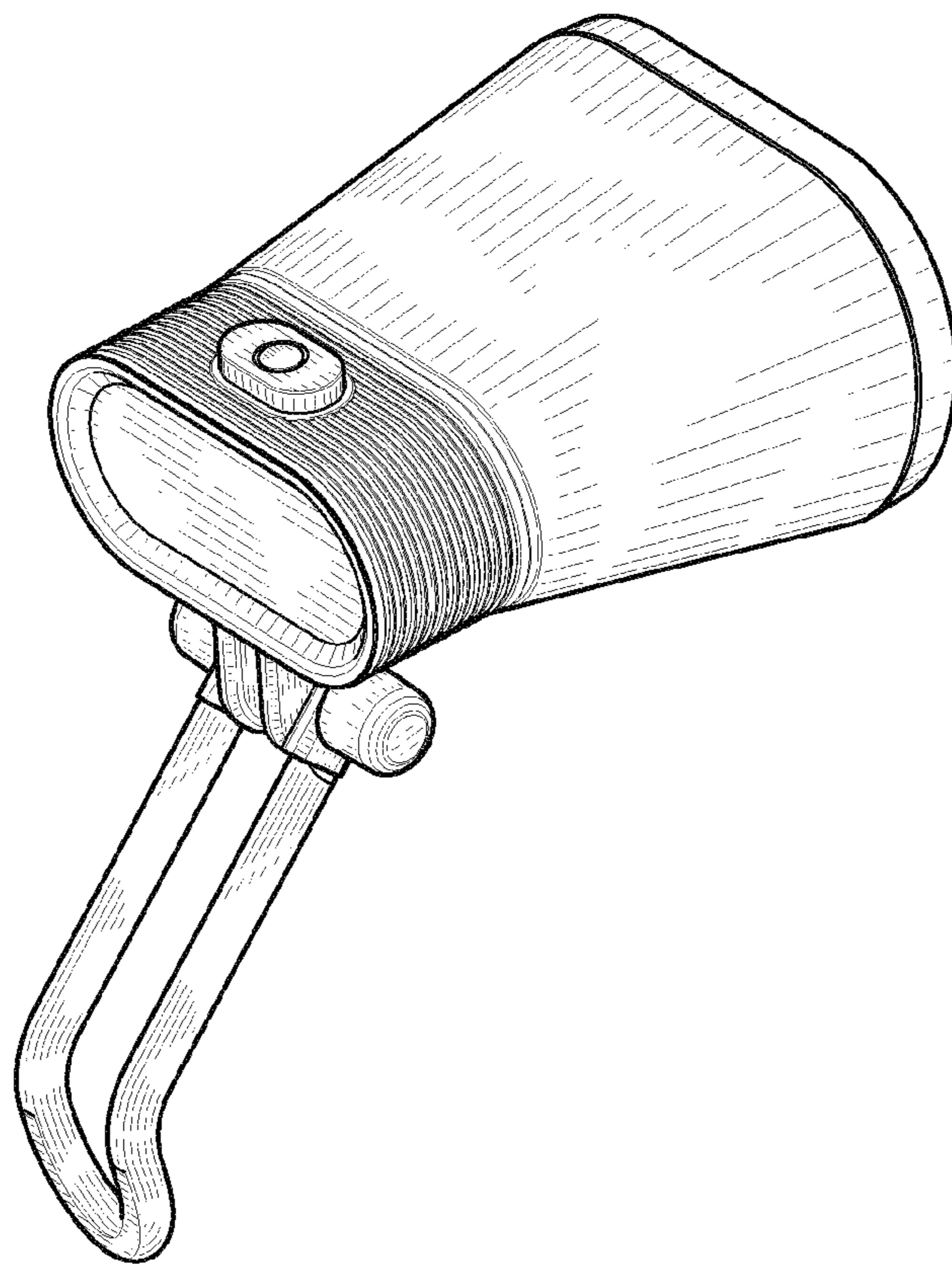


FIG.1

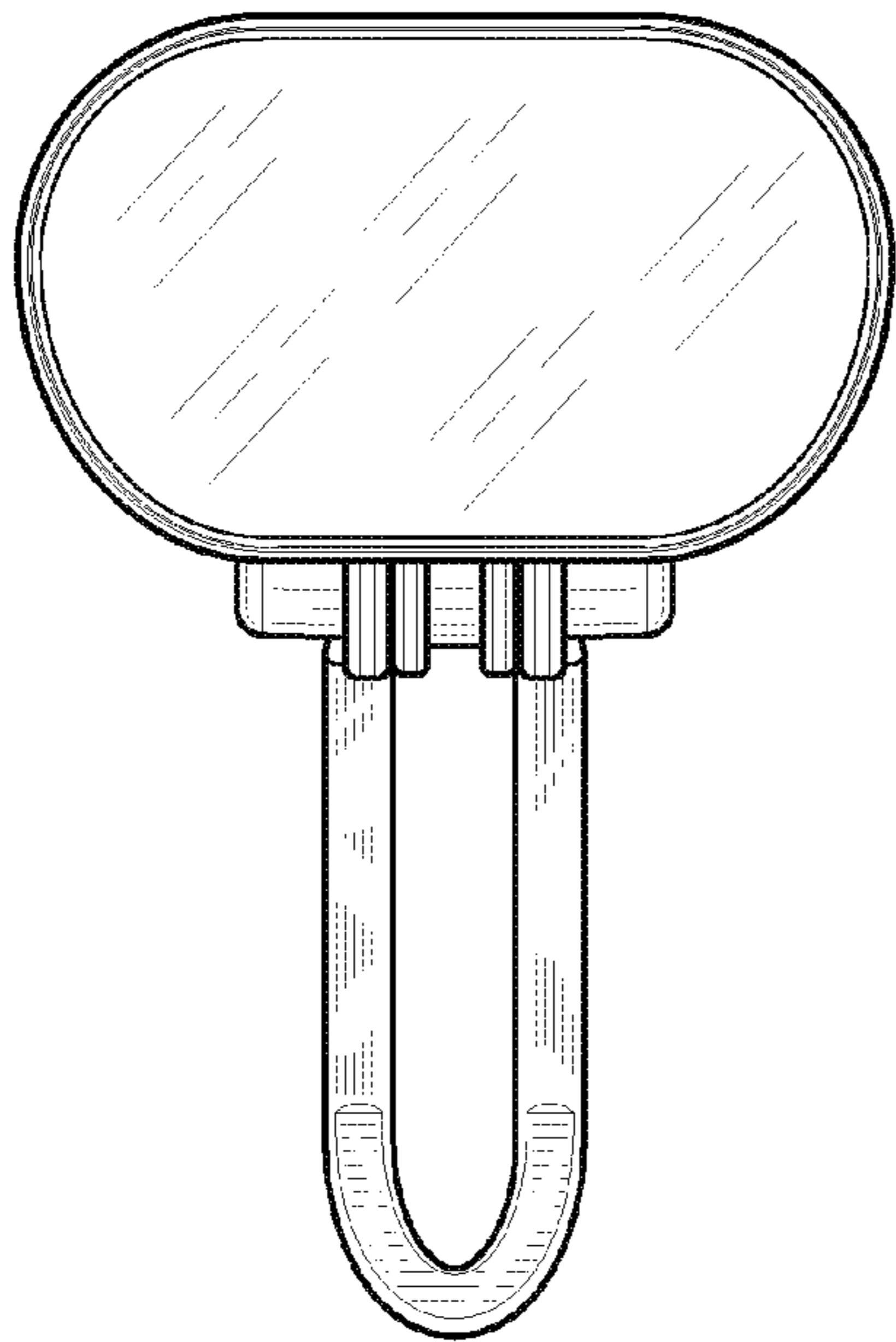


FIG. 2

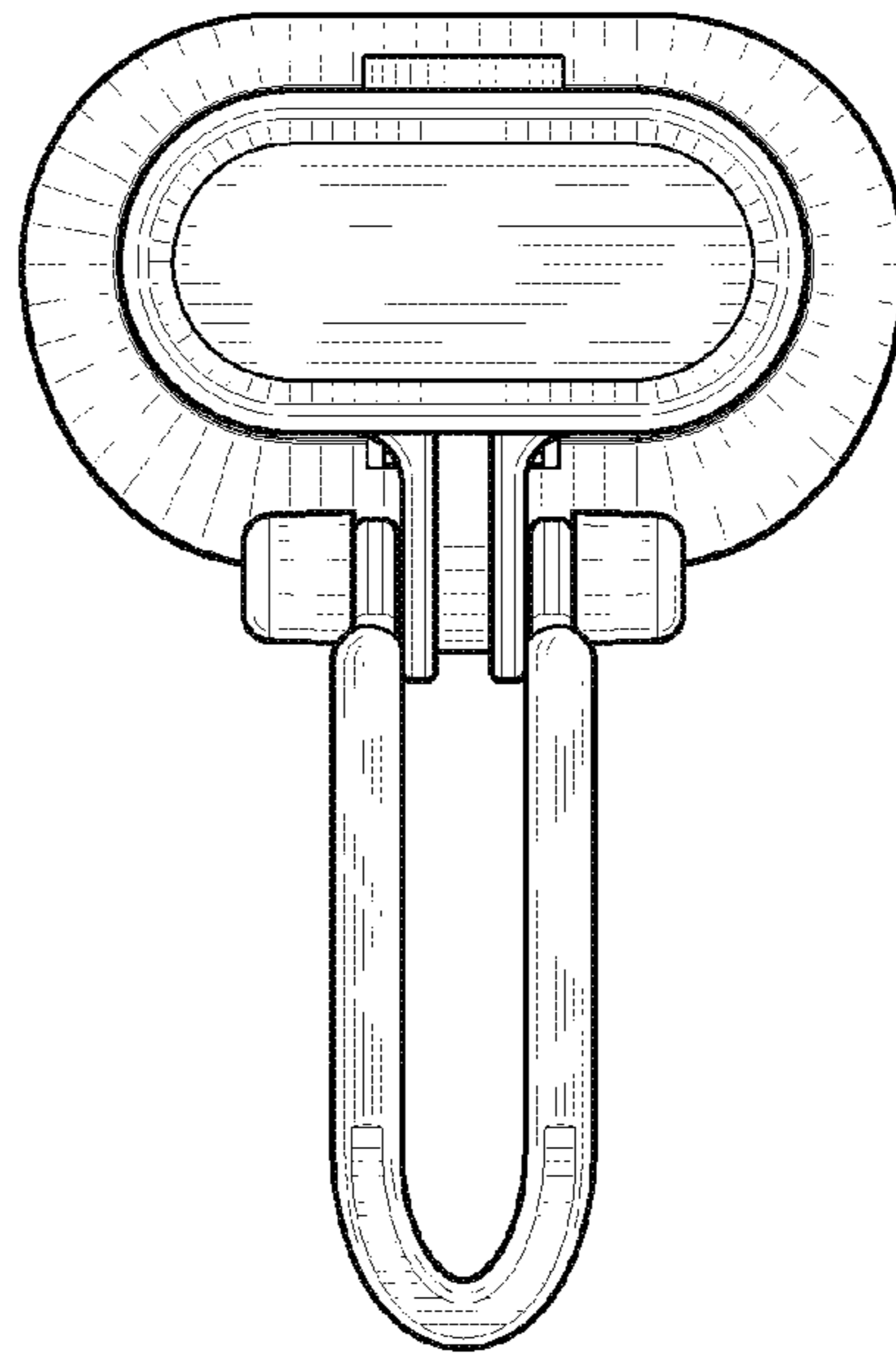


FIG. 3

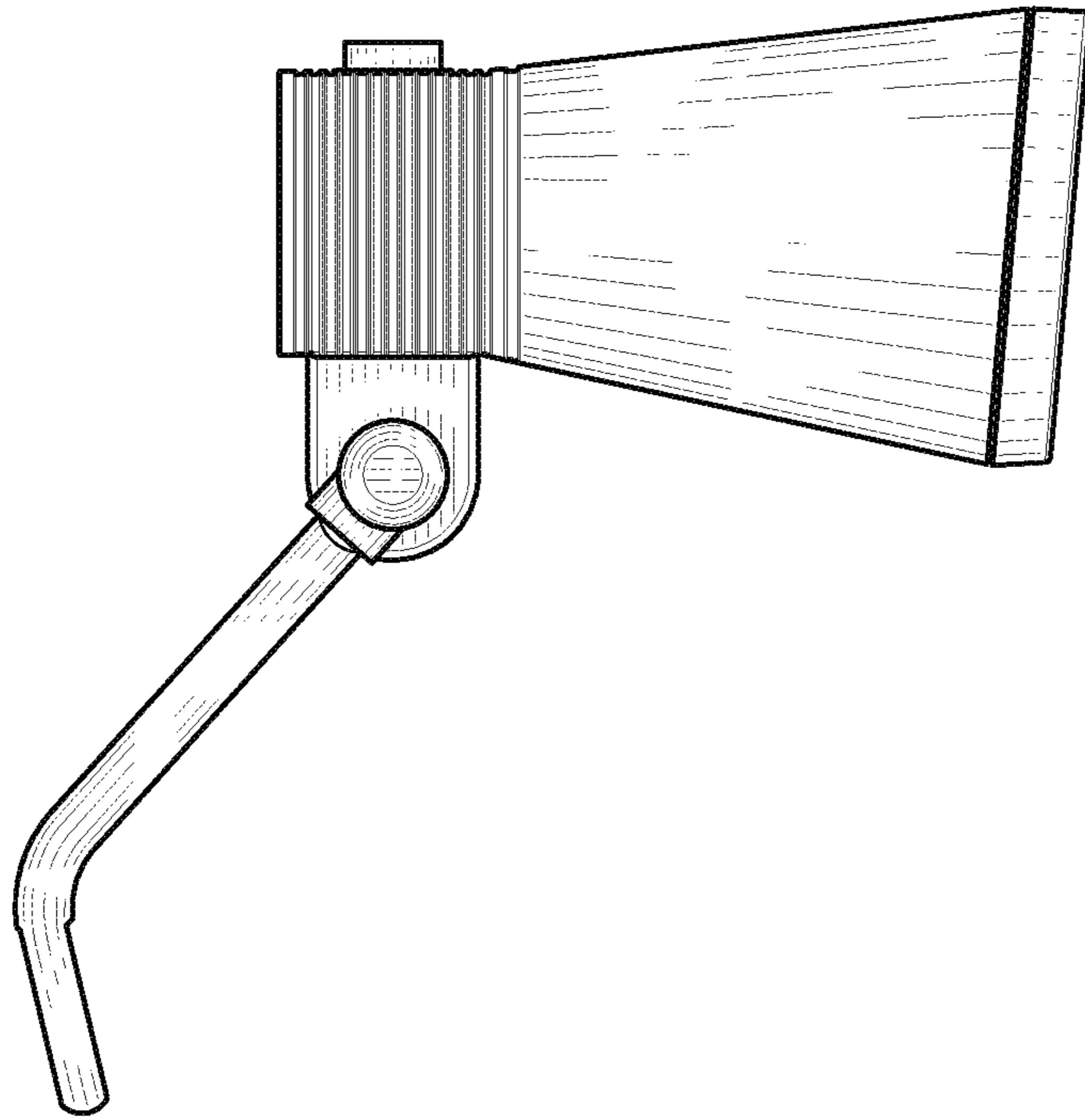


FIG. 4

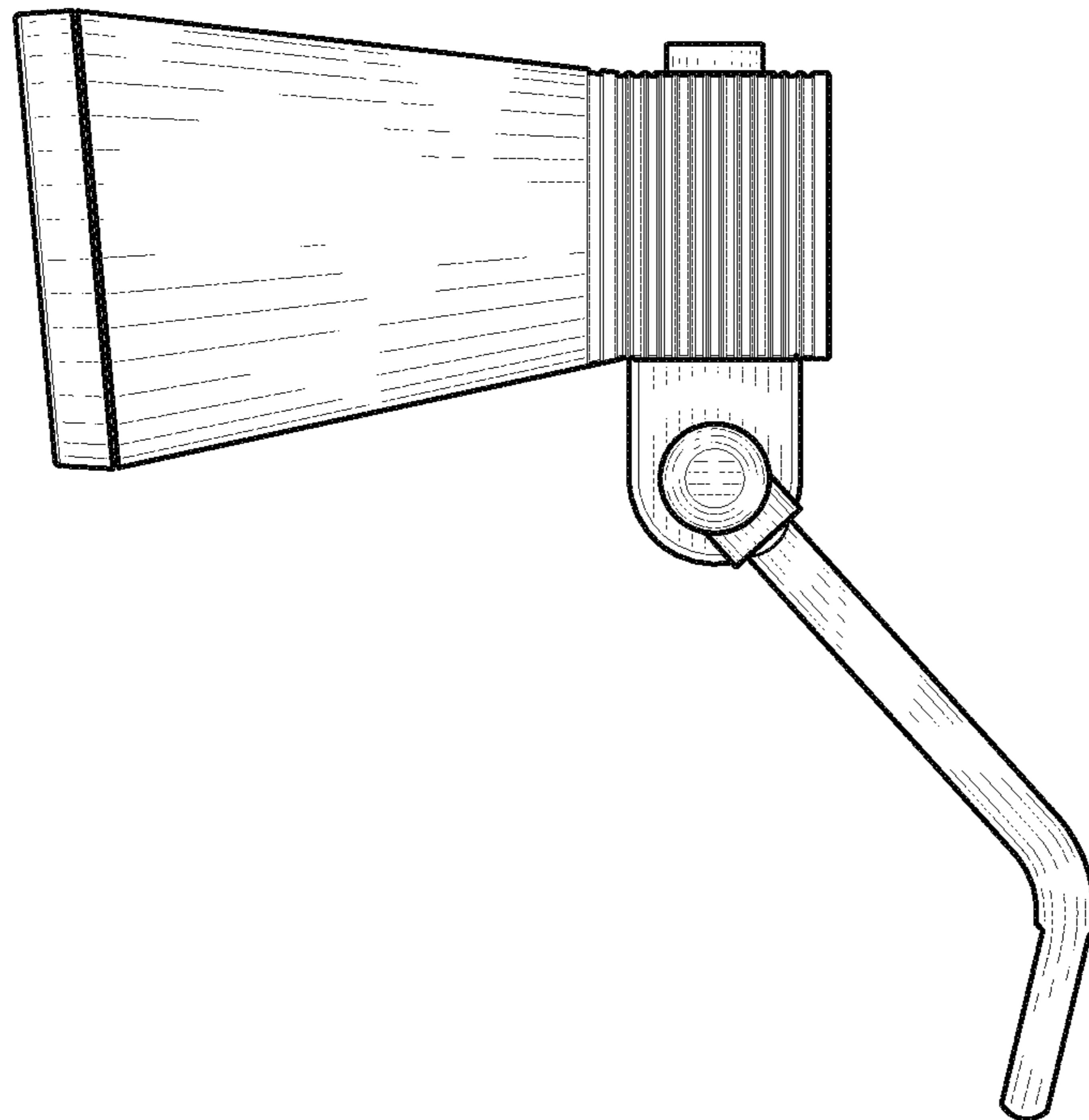


FIG. 5

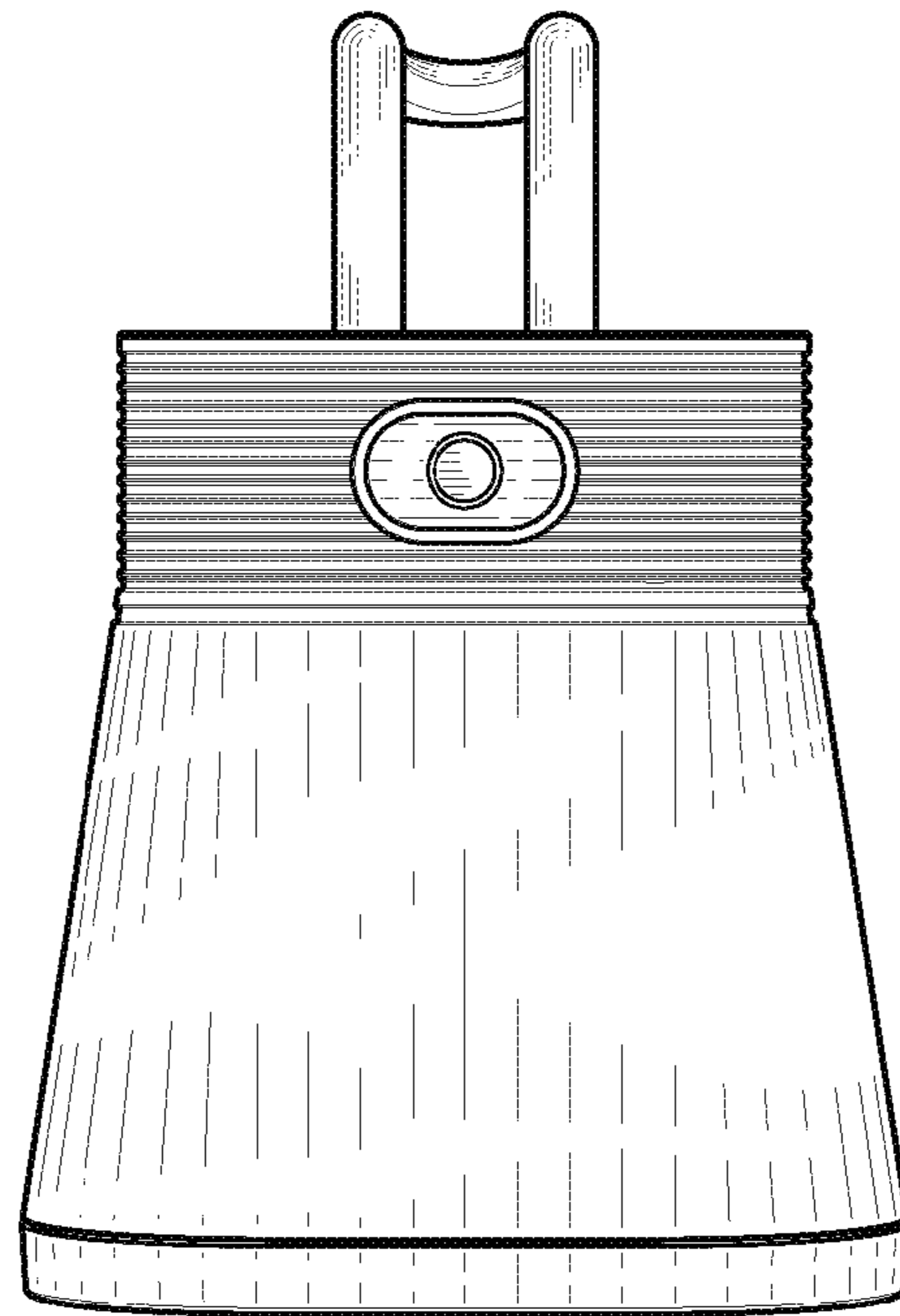


FIG. 6

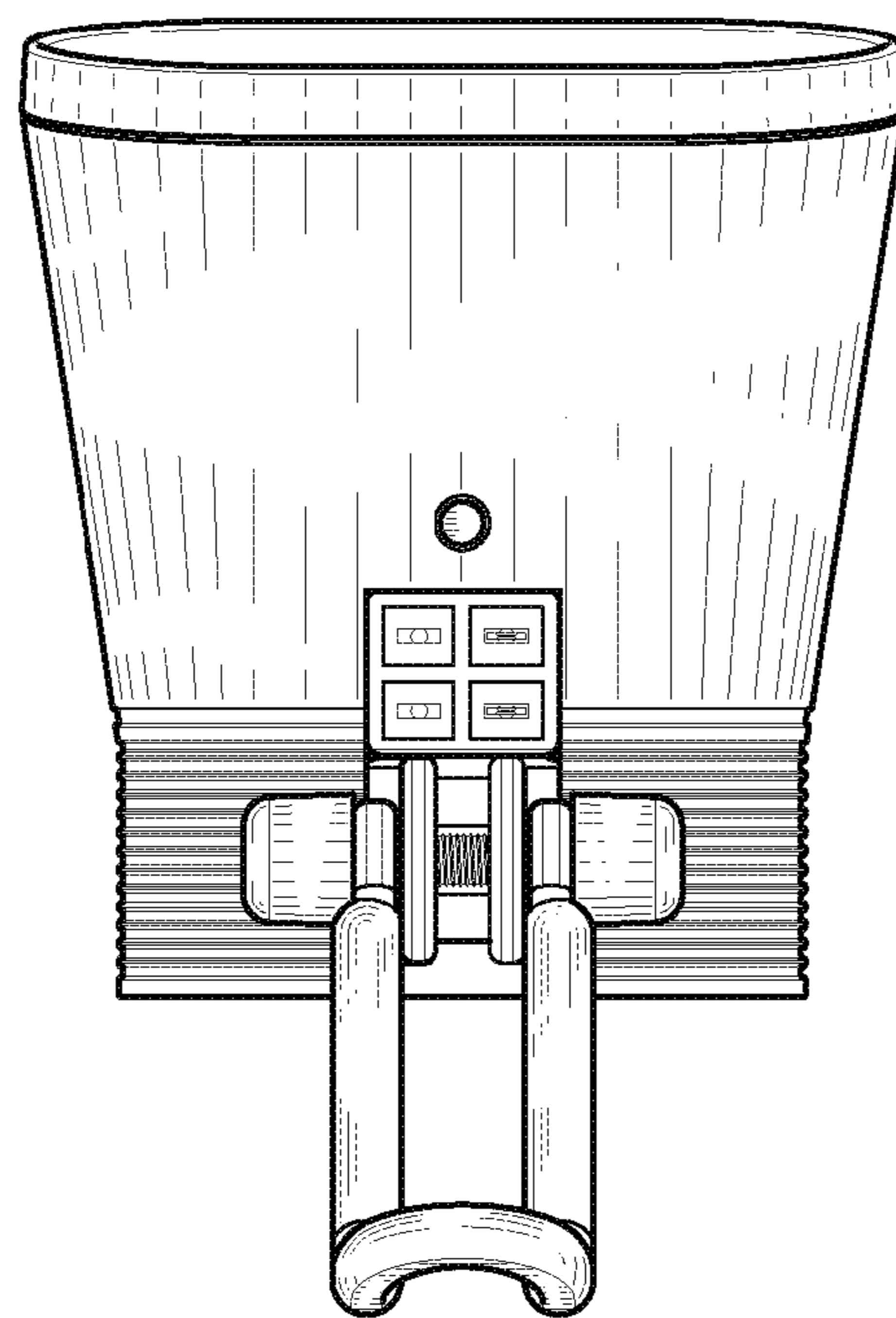


FIG. 7