

US00D690853S

(12) **United States Design Patent**
Huang

(10) **Patent No.:** **US D690,853 S**

(45) **Date of Patent:** **** Oct. 1, 2013**

(54) **VEHICLE LAMP**

(56) **References Cited**

(71) Applicant: **Cheng-Nan Huang**, Tainan (TW)

U.S. PATENT DOCUMENTS

(72) Inventor: **Cheng-Nan Huang**, Tainan (TW)

D550,380	S	*	9/2007	Lin	D26/28
D560,291	S	*	1/2008	Koyama	D26/28
D560,832	S	*	1/2008	Hsu	D26/28
D561,358	S	*	2/2008	Tachibana	D26/28
D561,359	S	*	2/2008	Hsu	D26/28
D563,576	S	*	3/2008	Hanaoka	D26/28
D569,533	S	*	5/2008	Hsu	D26/28
D570,007	S	*	5/2008	Hsu	D26/28
D593,232	S	*	5/2009	Koman et al.	D26/28

(73) Assignee: **Sirius Light Technology Co., Ltd.**,
Tainan (TW)

(**) Term: **14 Years**

* cited by examiner

(21) Appl. No.: **29/448,646**

Primary Examiner — Marcus Jackson

(22) Filed: **Mar. 13, 2013**

(74) *Attorney, Agent, or Firm* — Caesar, Rivise, Bernstein,
Cohen & Pokotilow, Ltd.

(30) **Foreign Application Priority Data**

(57) **CLAIM**

The ornamental design for vehicle lamp, as shown and described.

Jan. 31, 2013 (TW) 102300869

DESCRIPTION

(51) **LOC (9) Cl.** **26-06**

FIG. 1 is a perspective view of vehicle lamp showing my new design;

(52) **U.S. Cl.**

FIG. 2 is a front elevational view thereof;

USPC **D26/28**

FIG. 3 is a rear elevational view thereof;

(58) **Field of Classification Search**

USPC D26/28-36; 362/459-468, 475-478,
362/485-487

FIG. 4 is a left side elevational view thereof;

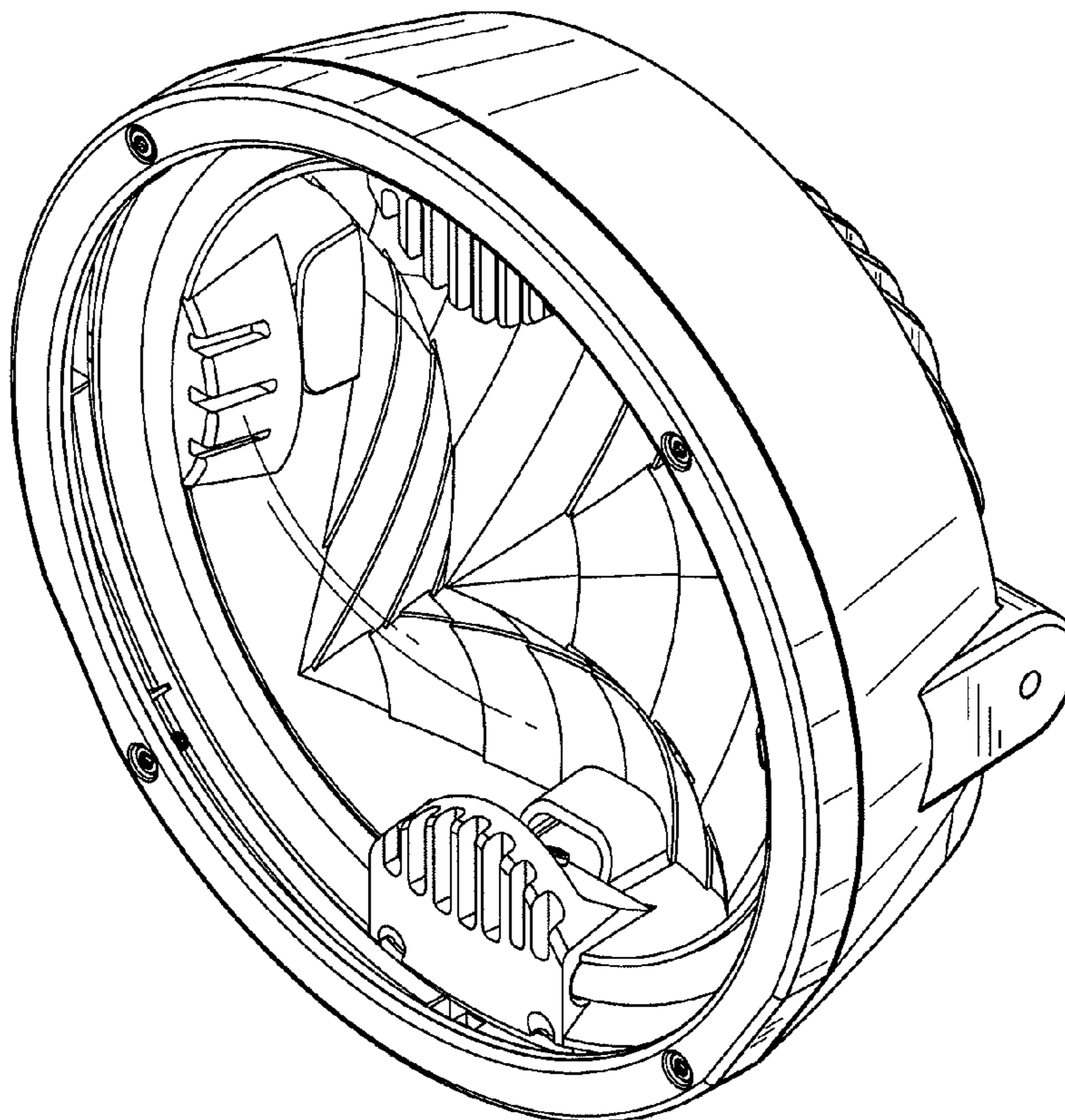
FIG. 5 is a right side elevational view thereof;

FIG. 6 is a top plan view thereof; and,

FIG. 7 is a bottom plan view thereof.

See application file for complete search history.

1 Claim, 5 Drawing Sheets



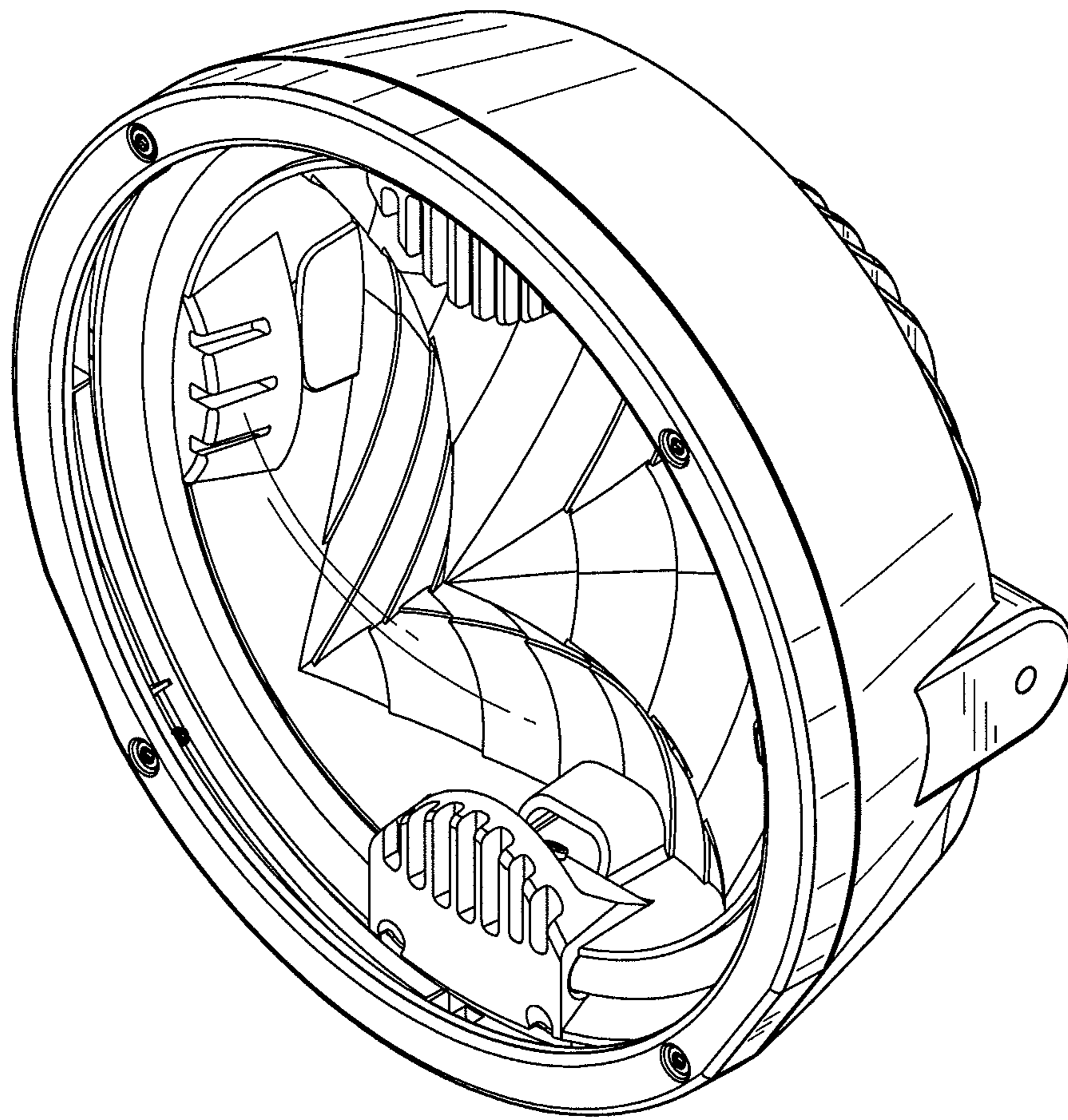


FIG. 1

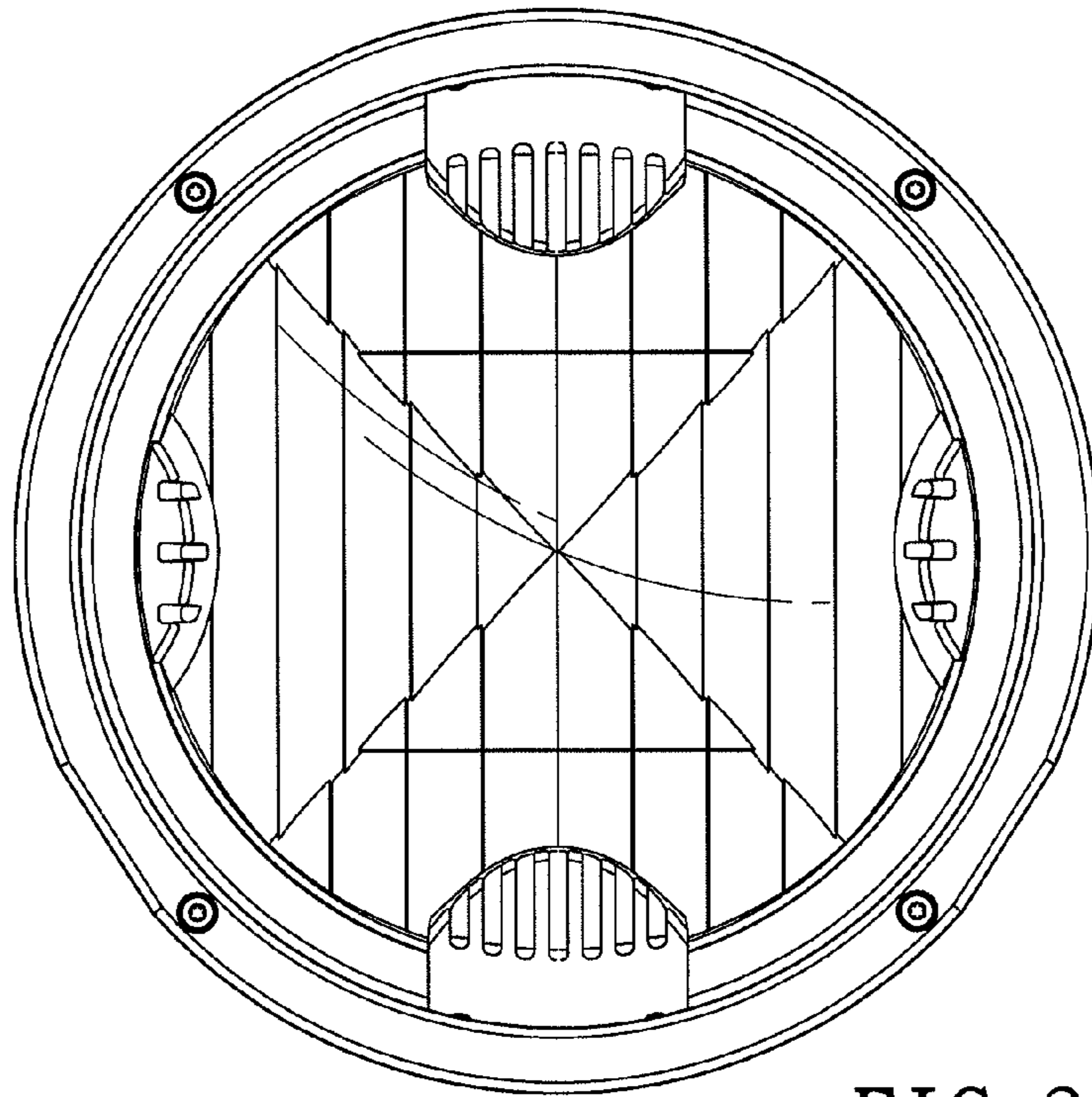


FIG. 2

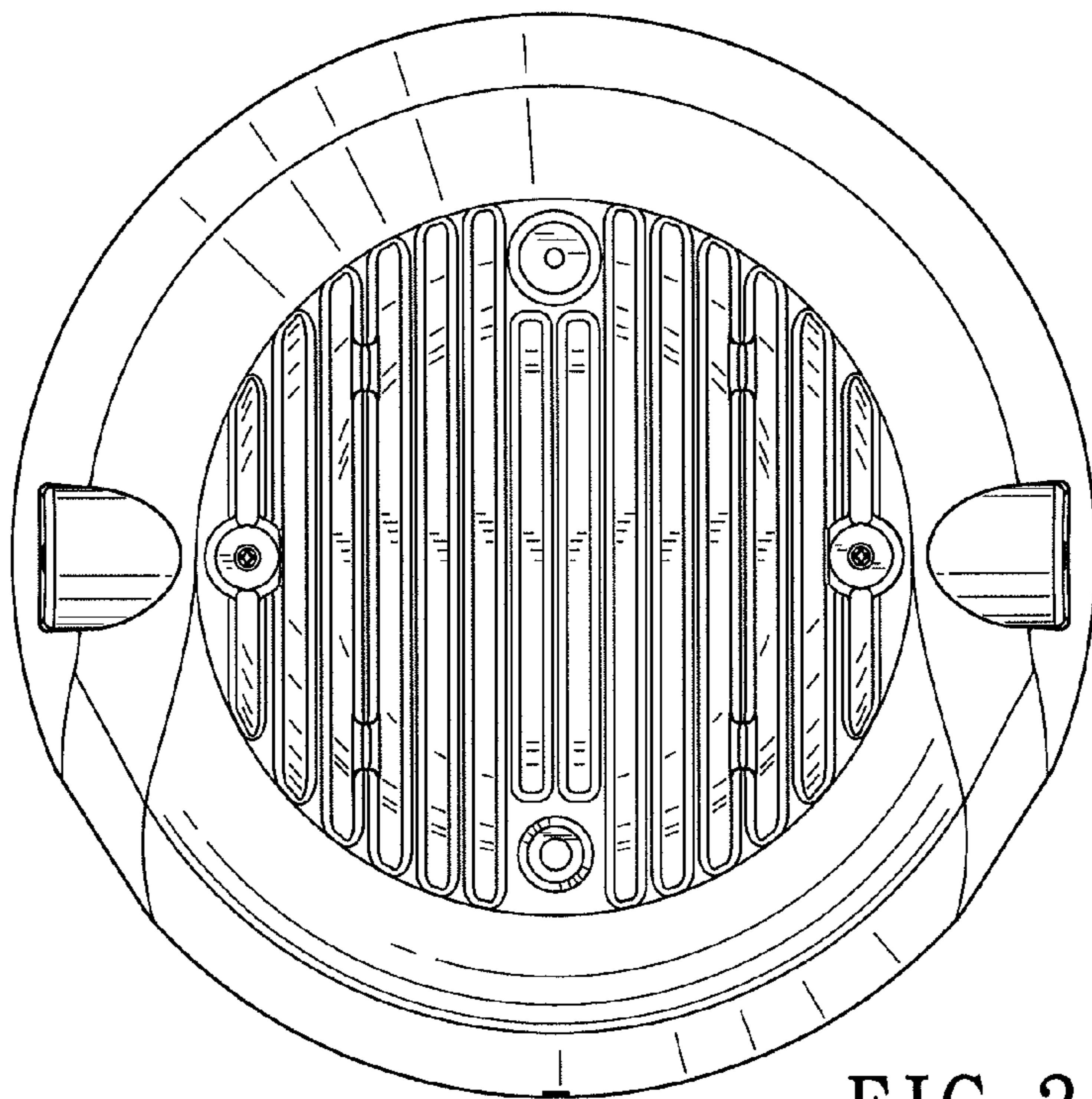


FIG. 3

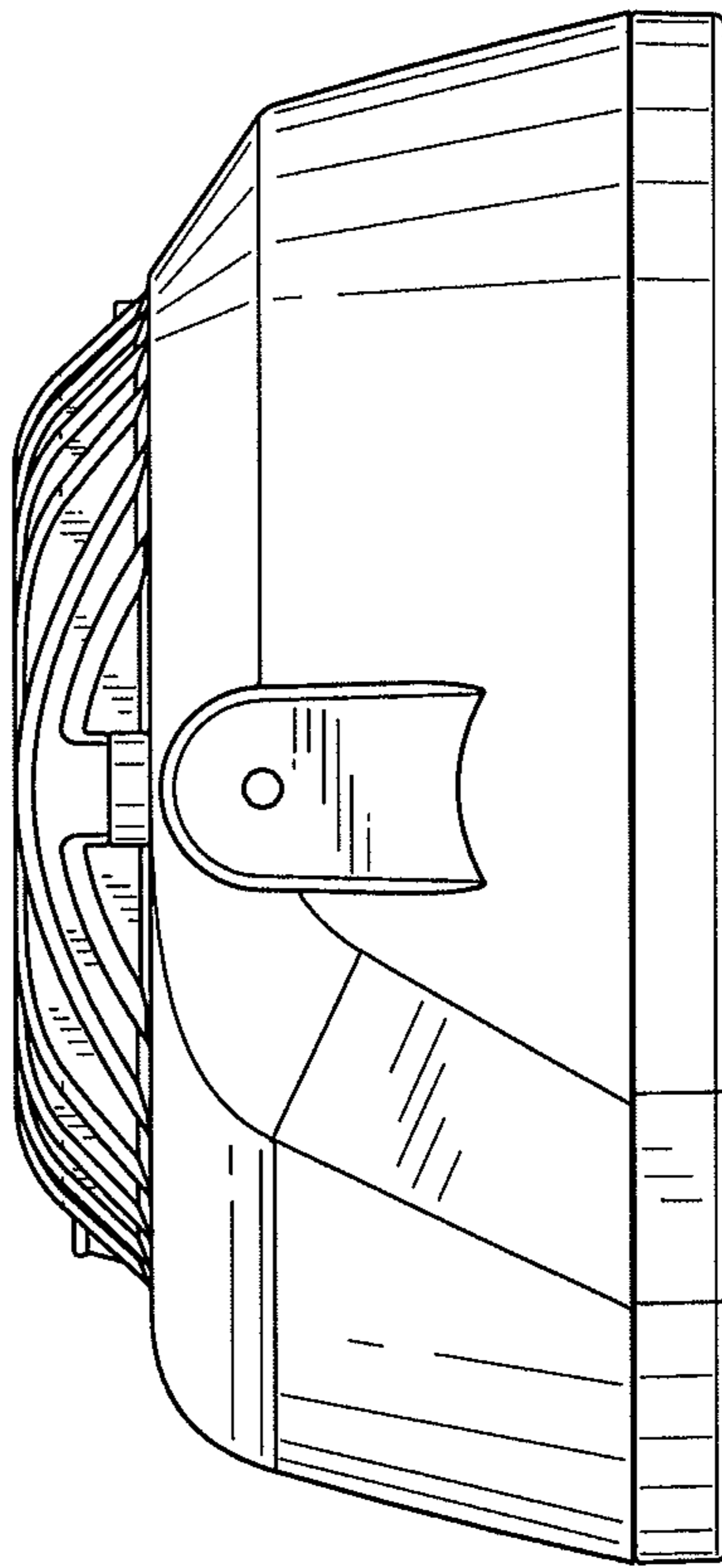


FIG. 4

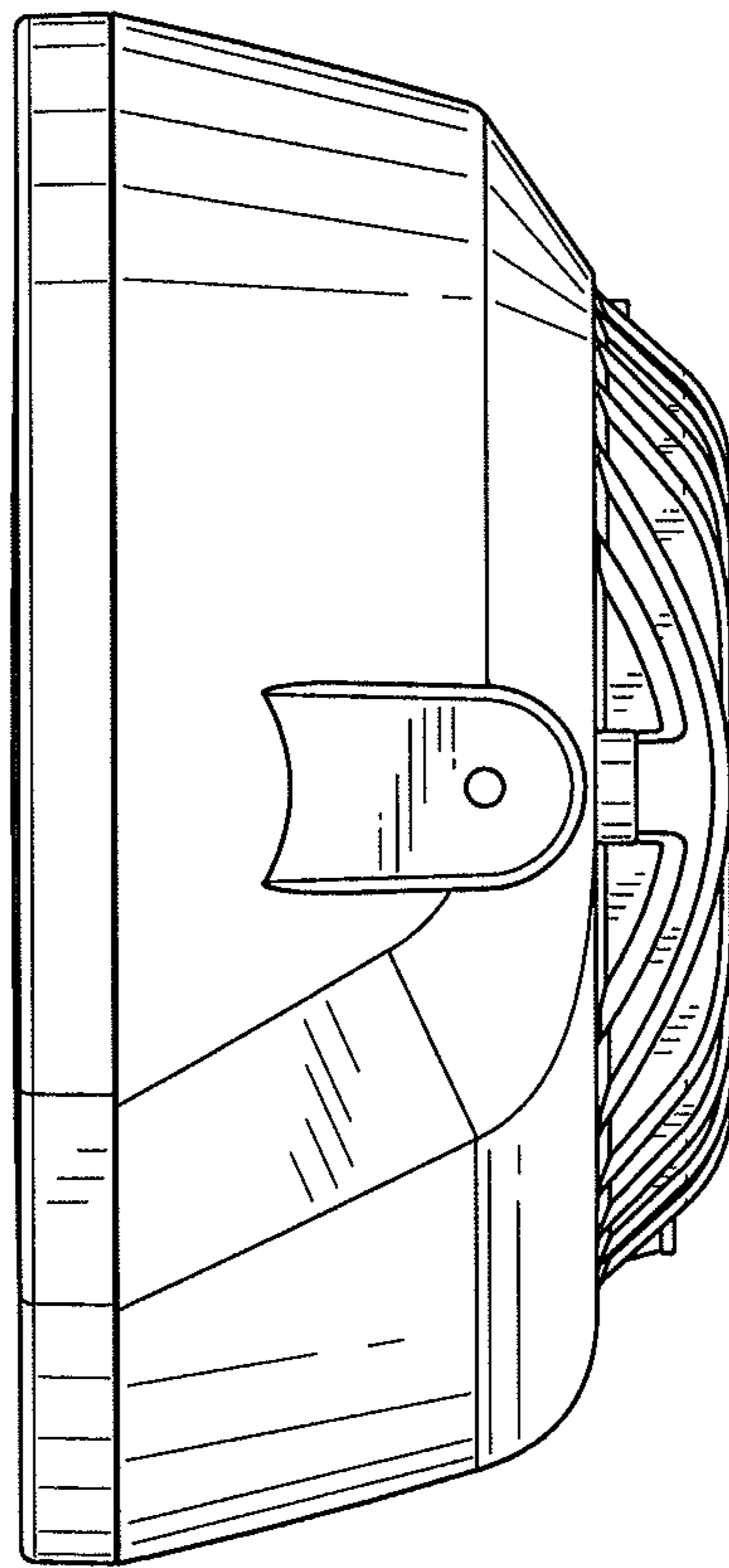


FIG. 5

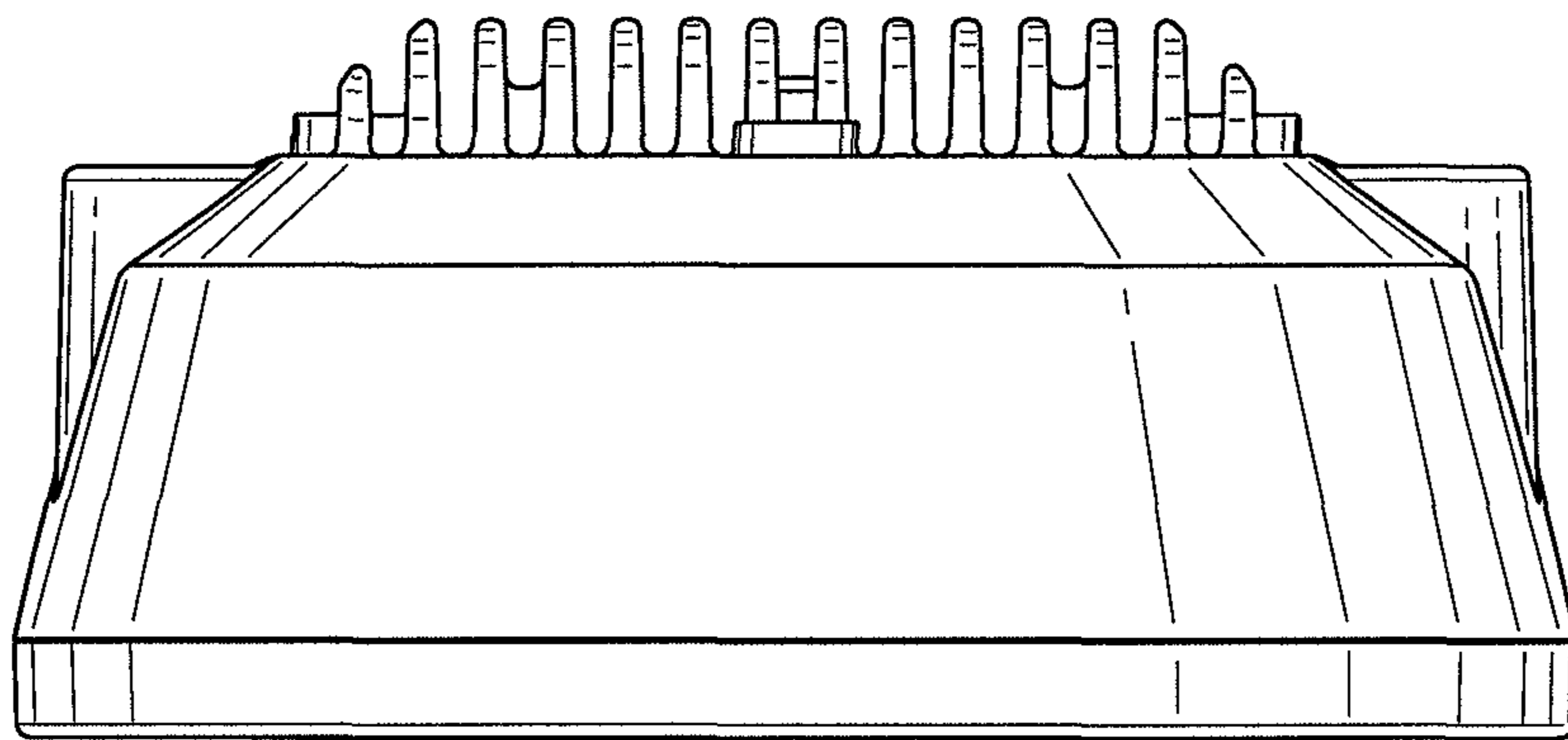


FIG. 6

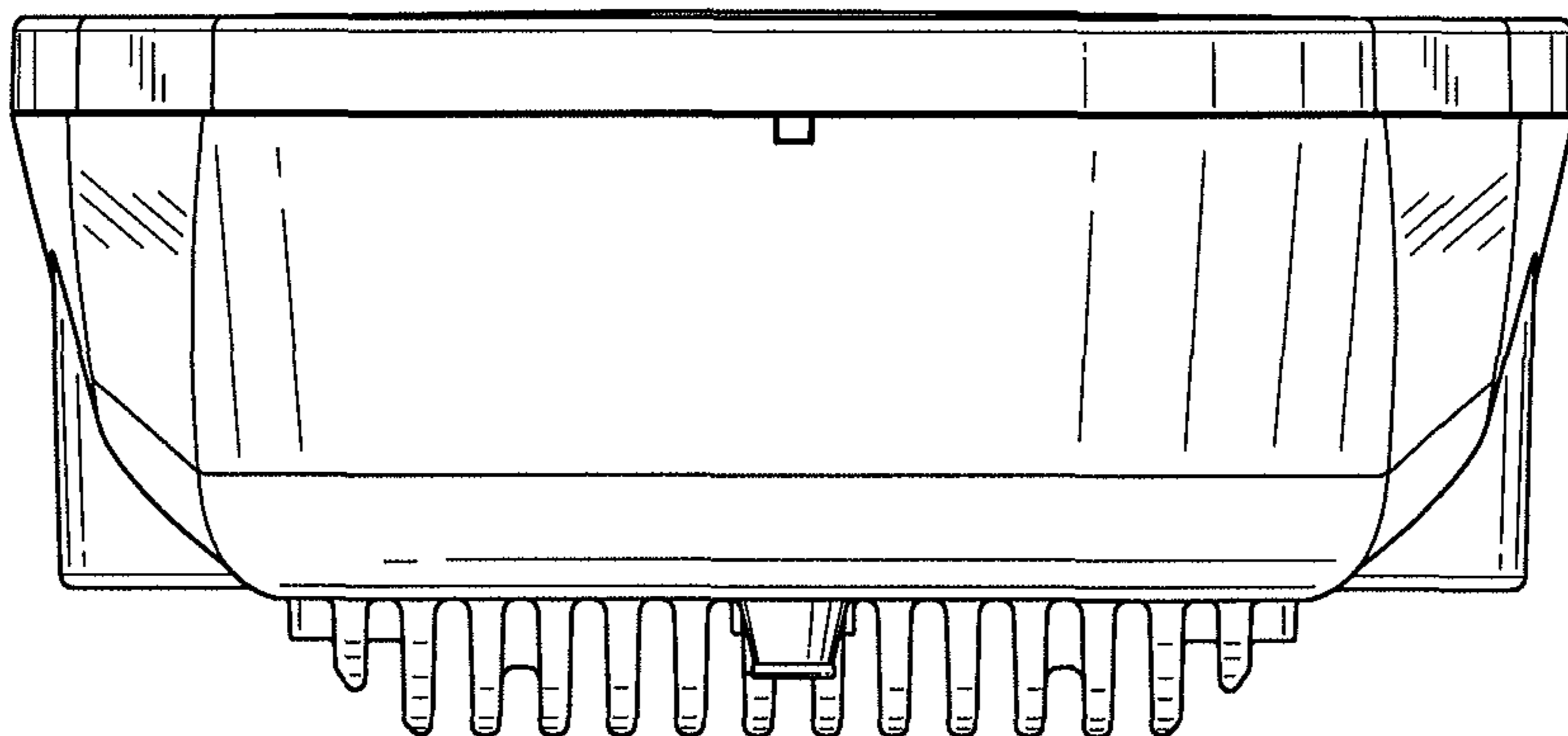


FIG. 7