



US00D690848S

(12) **United States Design Patent**
Örtlund et al.

(10) **Patent No.:** **US D690,848 S**

(45) **Date of Patent:** **** Oct. 1, 2013**

(54) **LAWN CARE VEHICLE HEADLAMP**

(75) Inventors: **Johan Örtlund**, Ödeshög (SE);
Rajinder Mehra, Johanneshov (SE)

(73) Assignee: **Husqvarna AB**, Huskvarna (SE)

(**) Term: **14 Years**

(21) Appl. No.: **29/408,307**

(22) Filed: **Dec. 9, 2011**

(30) **Foreign Application Priority Data**

Jun. 27, 2011 (EM) 001883018

(51) **LOC (9) Cl.** **26-06**

(52) **U.S. Cl.**
USPC **D26/28**

(58) **Field of Classification Search**
USPC D26/28-36; 362/459-468, 475-478,
362/485-487

See application file for complete search history.

(56) **References Cited**

U.S. PATENT DOCUMENTS

D614,332	S	*	4/2010	Lamm et al.	D26/28
D617,020	S	*	6/2010	Ishiguri et al.	D26/28
D638,150	S	*	5/2011	Ichikawa et al.	D26/28
D667,974	S	*	9/2012	Nagao et al.	D26/28

* cited by examiner

Primary Examiner — Marcus Jackson

(74) *Attorney, Agent, or Firm* — Nelson Mullins Riley & Scarborough LLP

(57) **CLAIM**

The ornamental design for a lawn care vehicle headlamp, as shown and described.

DESCRIPTION

FIG. 1 is a top perspective view of a lawn care vehicle headlamp in accordance with an embodiment of the present invention;

FIG. 2 is a front view of the lawn care vehicle of FIG. 1;

FIG. 3 is a left side view of the lawn care vehicle of FIG. 1;

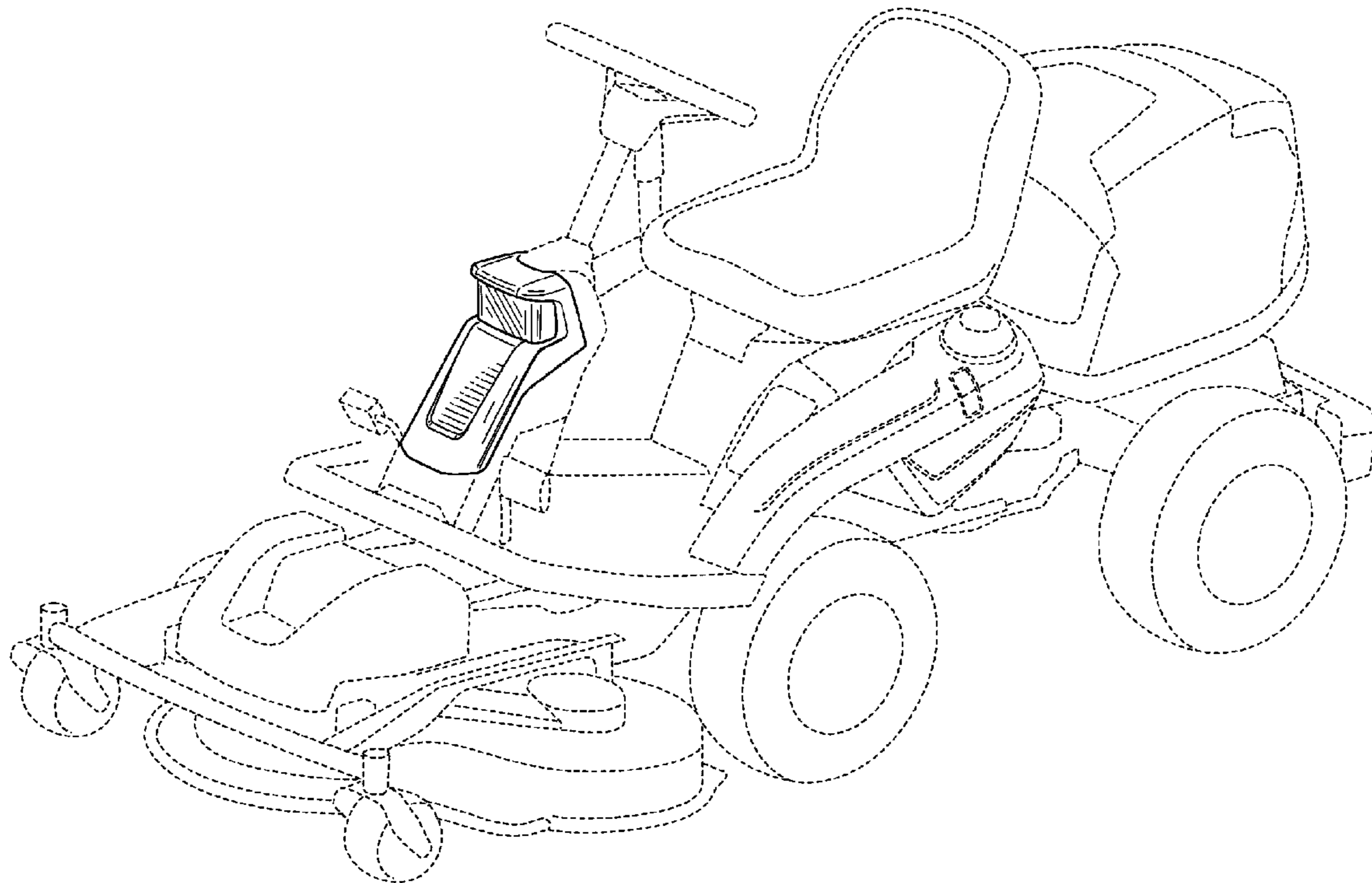
FIG. 4 is a right side view of the lawn care vehicle of FIG. 1;

and,

FIG. 5 is a top plan view of the lawn care vehicle of FIG. 1.

The broken lines of FIGS. 1-5 are illustrative of the visible environmental structure of the lawn care vehicle headlamp and form no part of the claimed design.

1 Claim, 5 Drawing Sheets



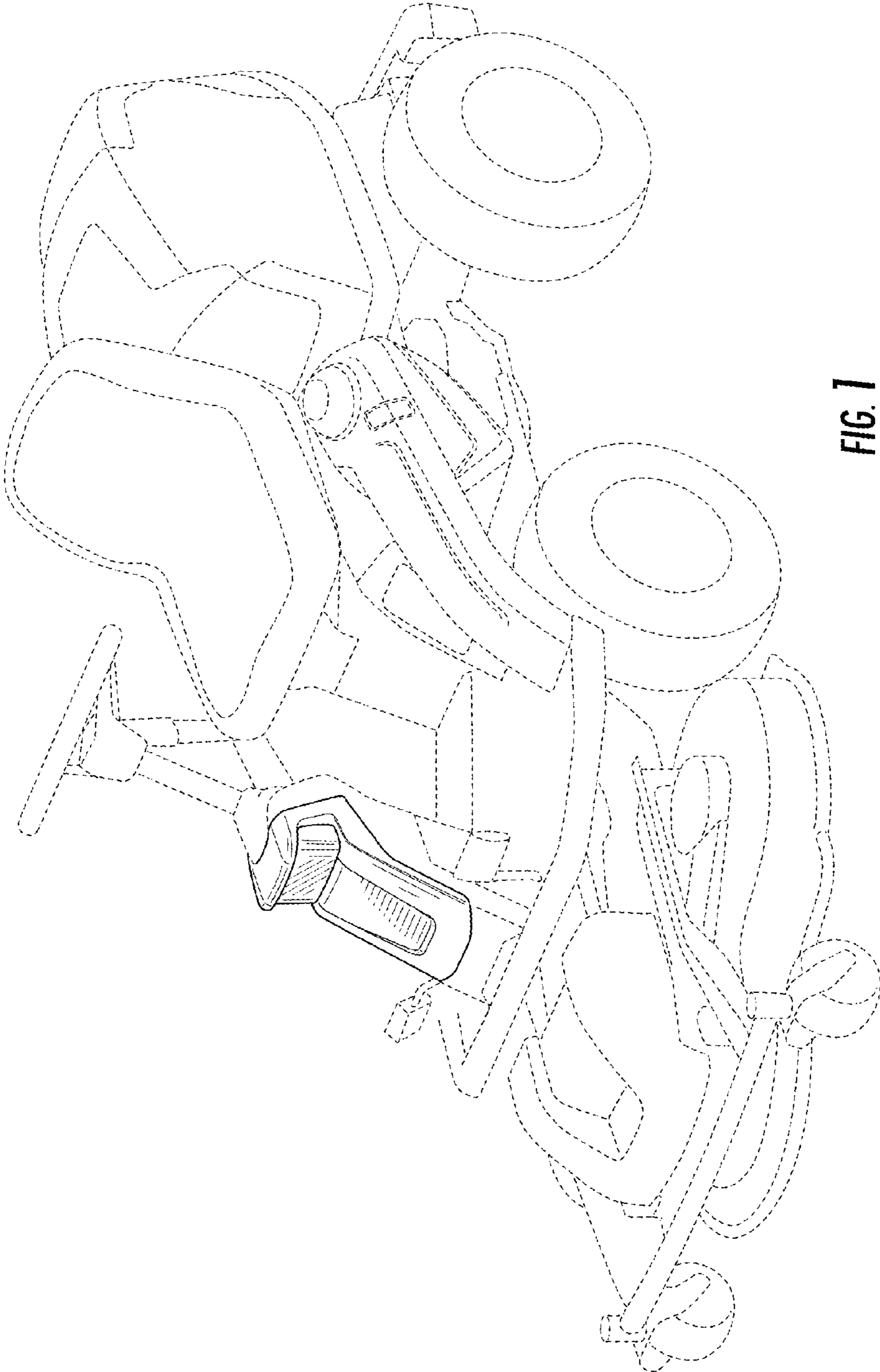


FIG. 1

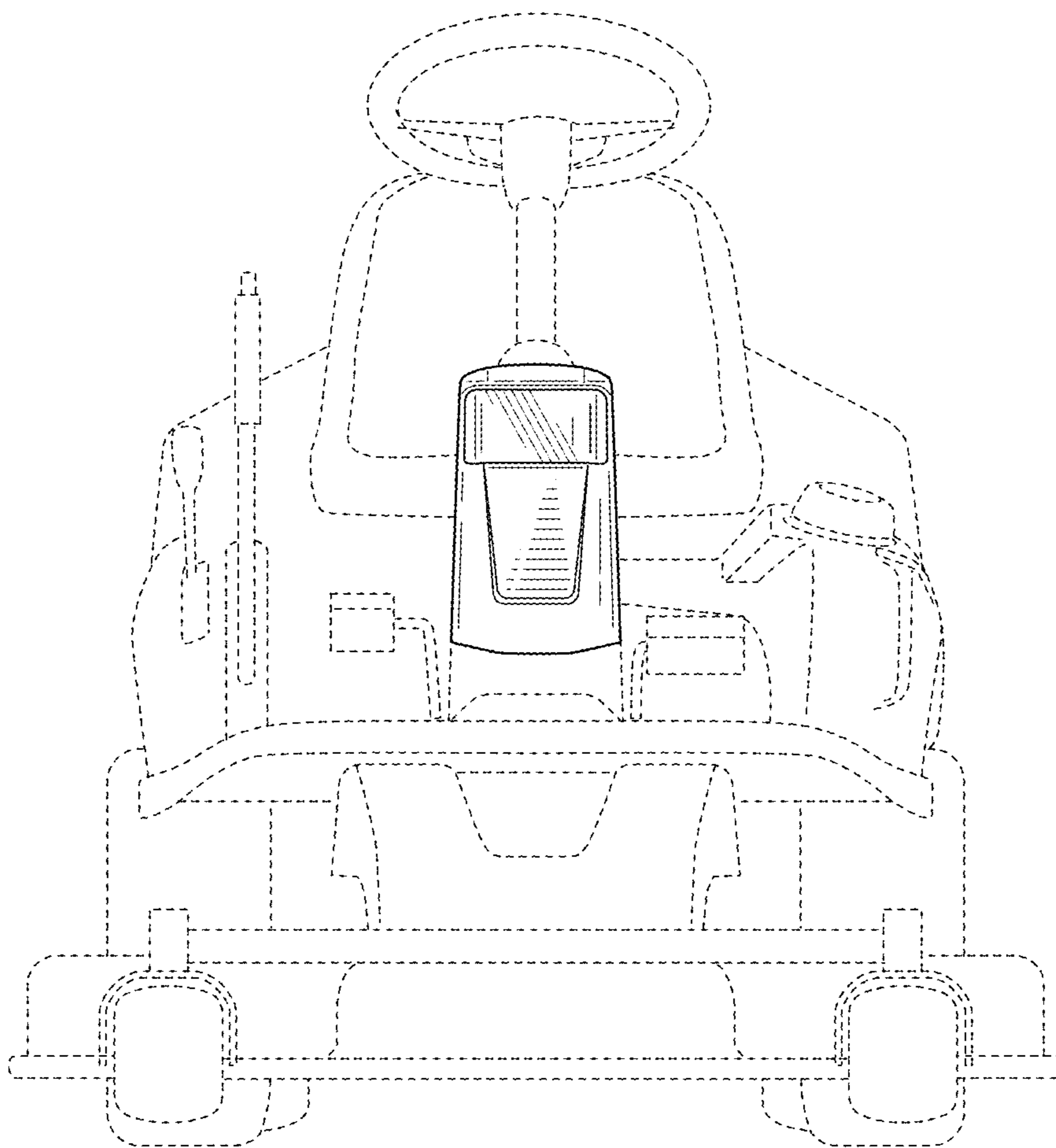


FIG. 2

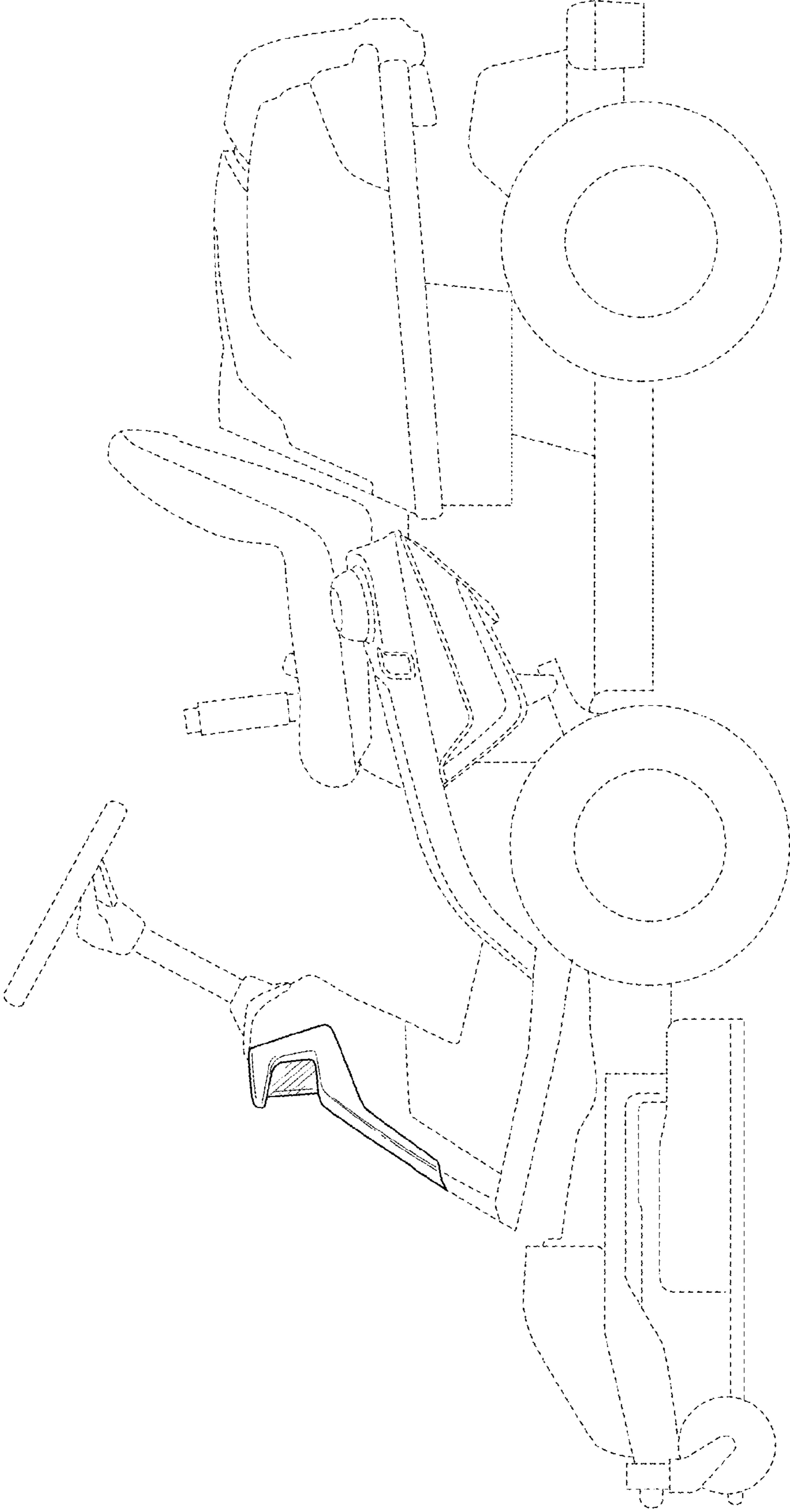


FIG. 3

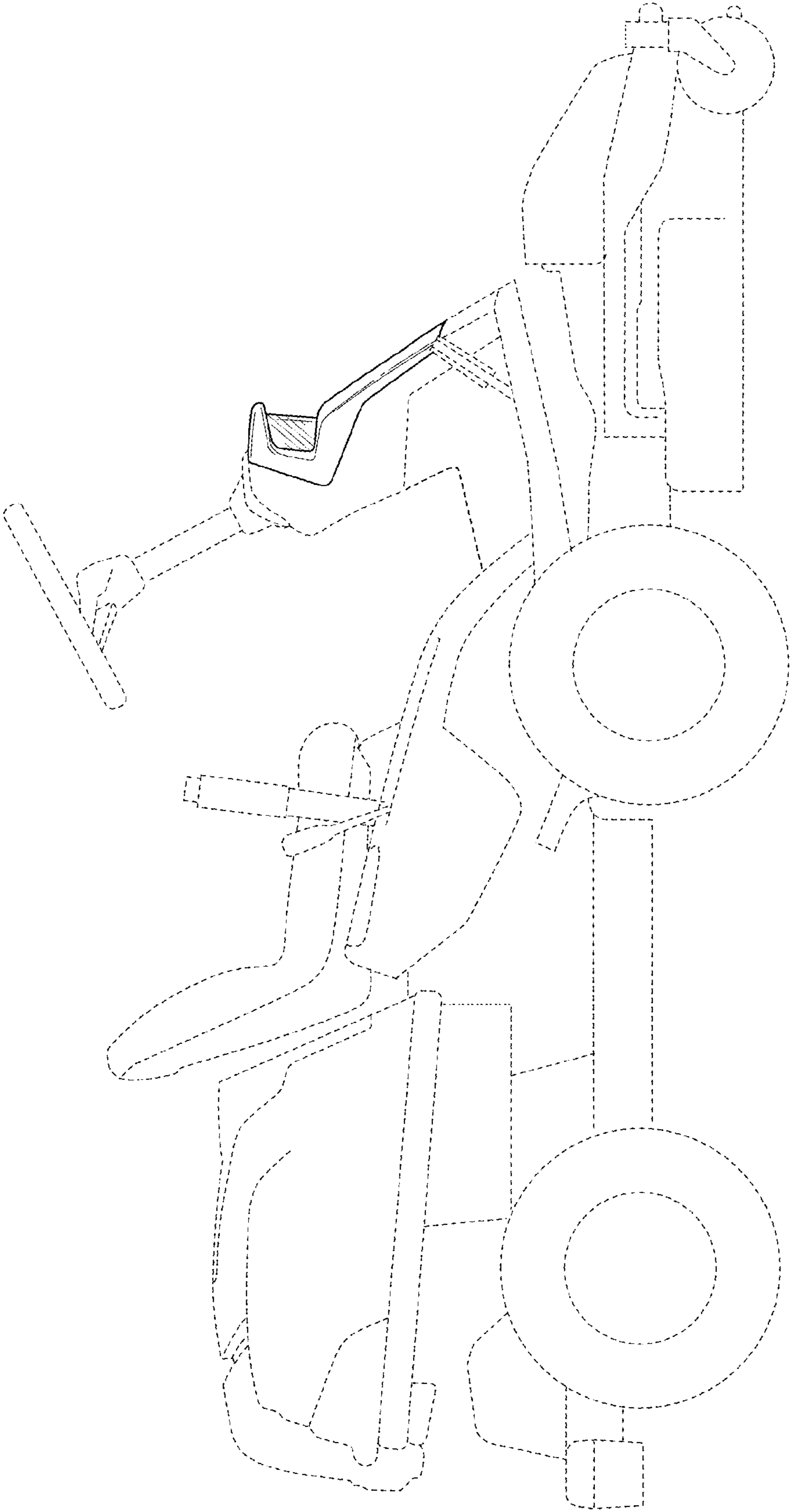


FIG. 4

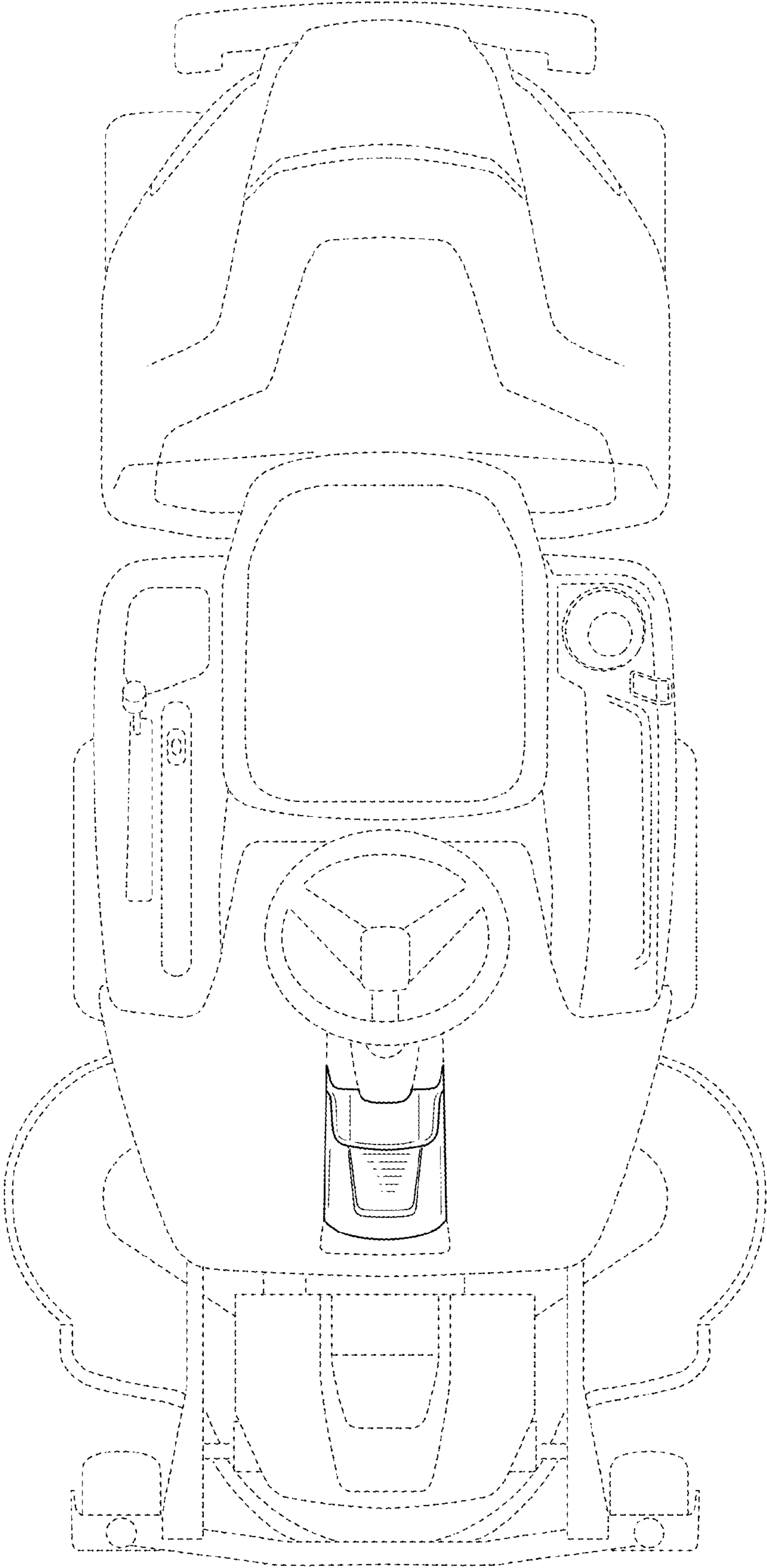


FIG. 5