



US00D690844S

(12) **United States Design Patent**
Wang

(10) **Patent No.:** **US D690,844 S**

(45) **Date of Patent:** **** Oct. 1, 2013**

(54) **LED AQUARIUM LIGHT**

(75) Inventor: **Yu-Chin Wang**, Taipei (TW)

(73) Assignee: **Eiko Electric Products Corp.**, Taipei (TW)

(**) Term: **14 Years**

(21) Appl. No.: **29/418,822**

(22) Filed: **Apr. 21, 2012**

(51) **LOC (9) Cl.** **26-05**

(52) **U.S. Cl.**
USPC **D26/24; D26/51**

(58) **Field of Classification Search**
USPC D26/1, 24, 51, 61, 72, 80, 82, 84,
D26/113, 34; 362/154, 612, 231, 101, 219,
362/225, 249, 382, 249.01, 249.02, 249.03,
362/297, 217.1, 217.01, 217.12, 217.14,
362/217.15

See application file for complete search history.

(56) **References Cited**

U.S. PATENT DOCUMENTS

3,622,777	A *	11/1971	Bovio	362/297
5,607,225	A *	3/1997	Halvatzis	362/217.12
6,065,849	A *	5/2000	Chen	362/101
7,258,459	B2 *	8/2007	Wang	362/101
D646,002	S *	9/2011	Wang	D26/24
8,388,163	B2 *	3/2013	Crabb et al.	362/101

* cited by examiner

Primary Examiner — Brian N Vinson

(74) *Attorney, Agent, or Firm* — Guice Patents PLLC

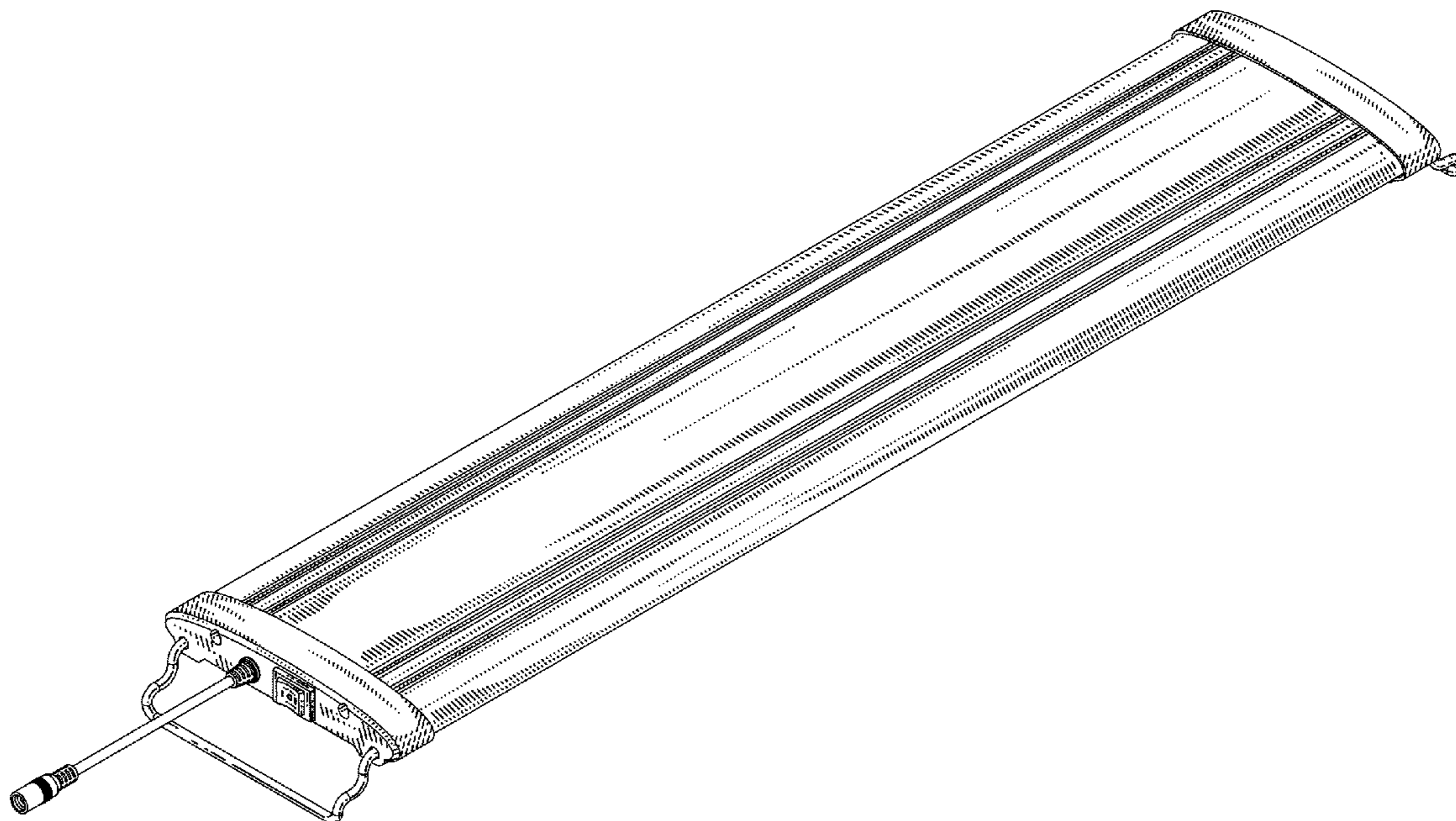
(57) **CLAIM**

The ornamental design for an LED aquarium light, as shown and described.

DESCRIPTION

FIG. 1 is a top, front, and left side perspective view of an LED aquarium light showing my new design; FIG. 2 is a front elevational view thereof; FIG. 3 is a rear elevational view thereof; FIG. 4 is a left side elevational view thereof; FIG. 5 is a right side elevational view thereof; FIG. 6 is a top plan view thereof; and, FIG. 7 is a bottom plan view thereof.

1 Claim, 4 Drawing Sheets



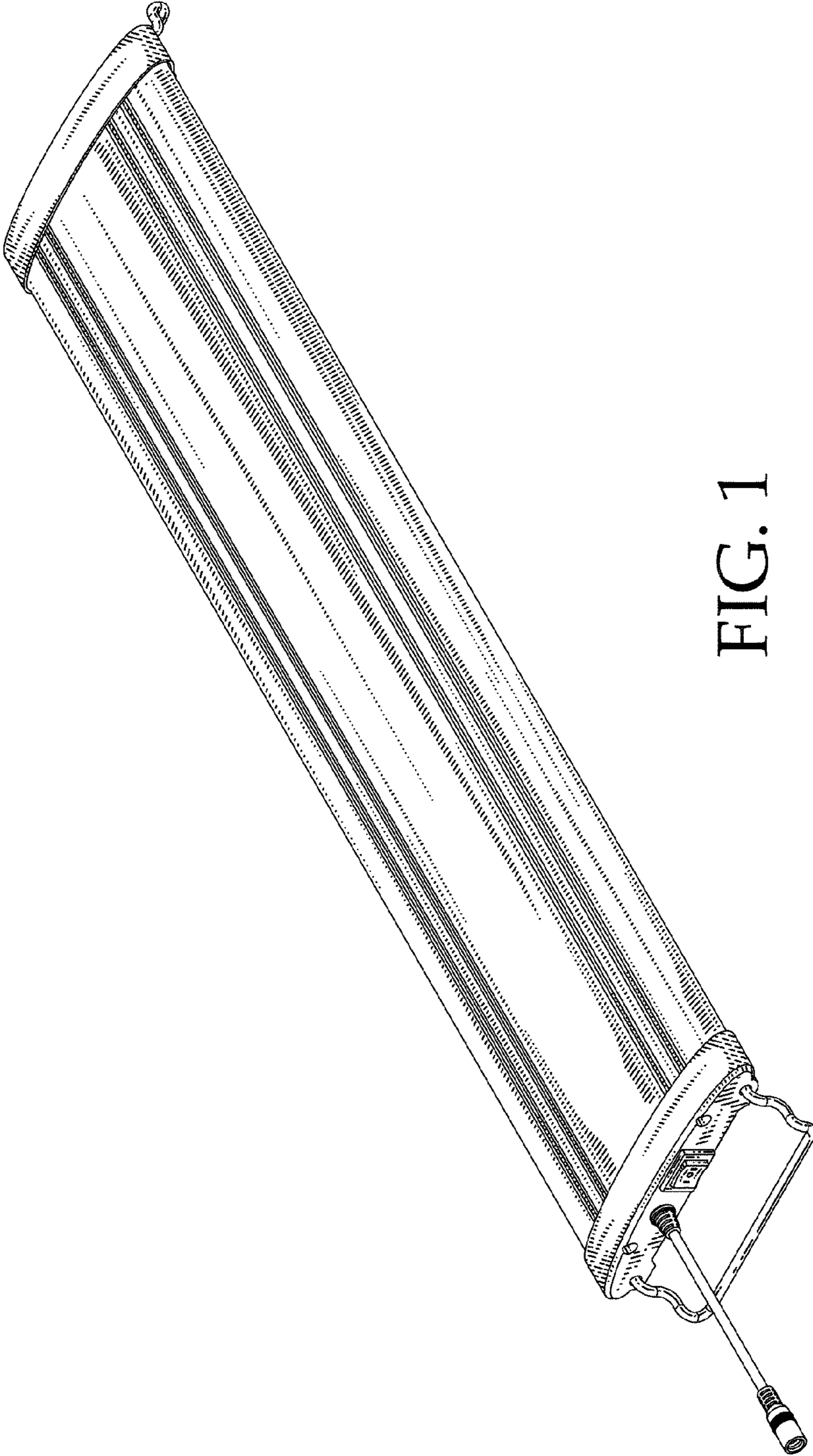


FIG. 1

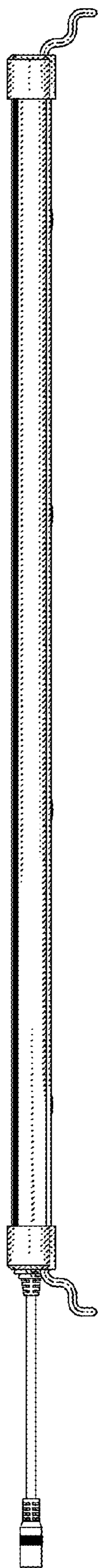


FIG. 2

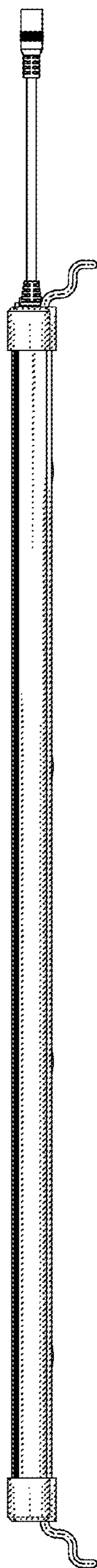


FIG. 3

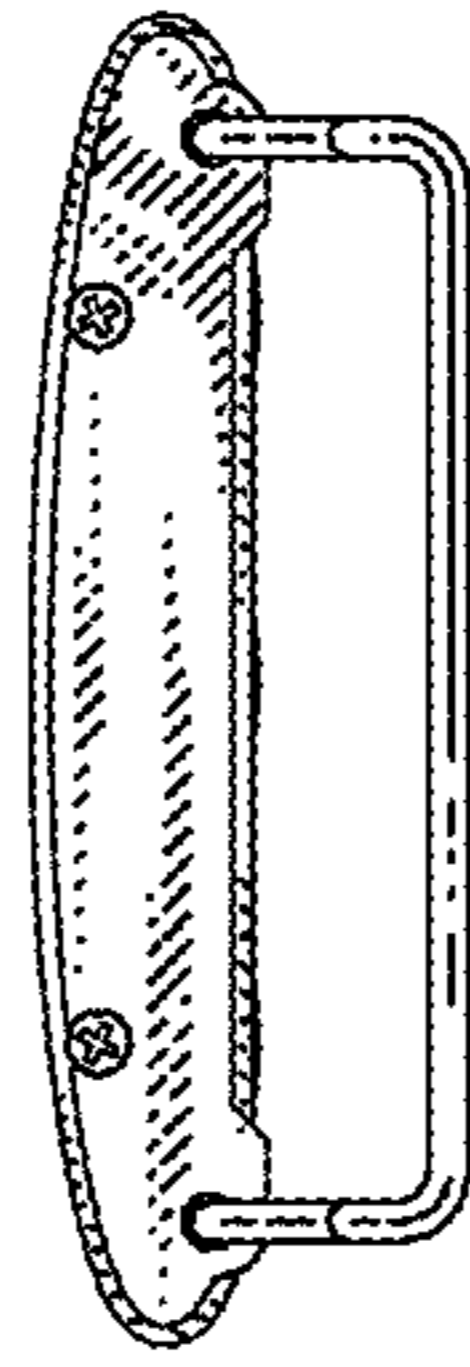


FIG. 5

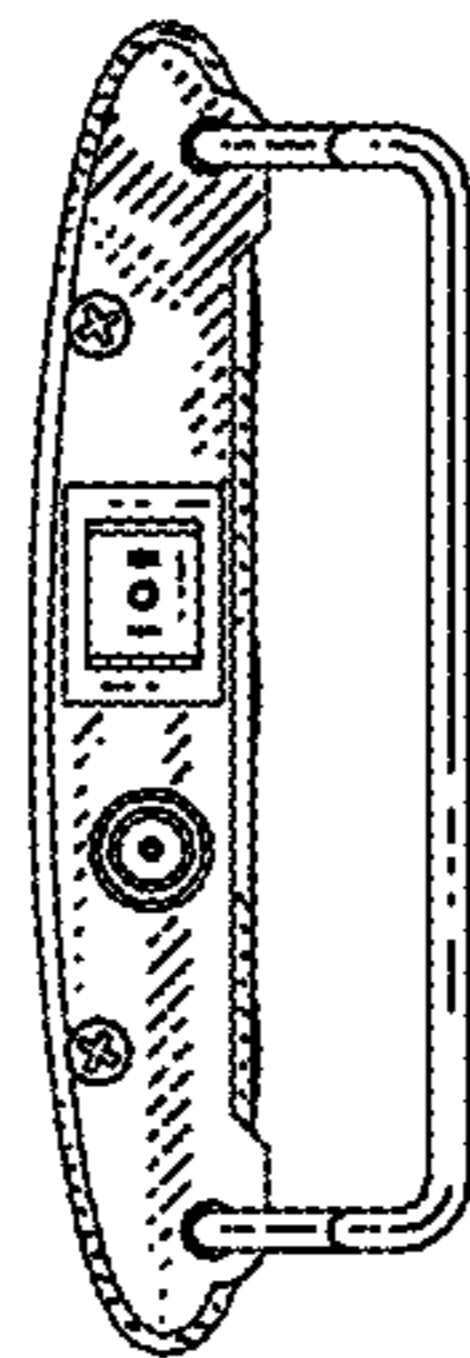


FIG. 4

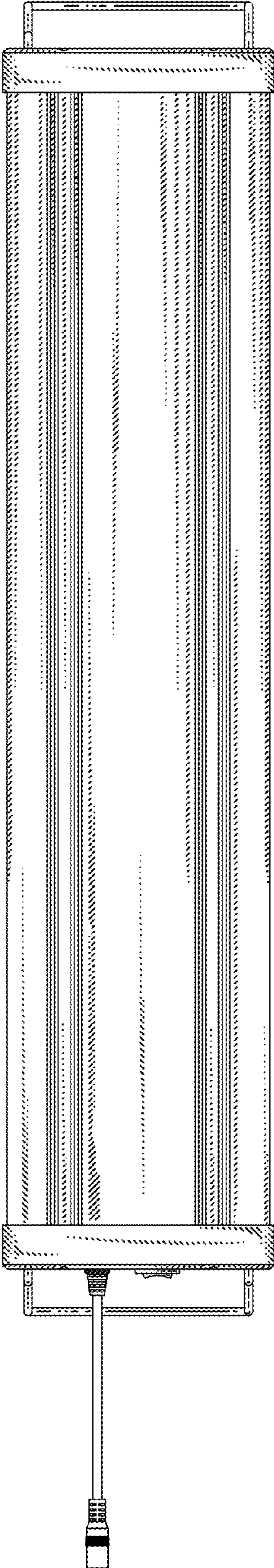


FIG. 6

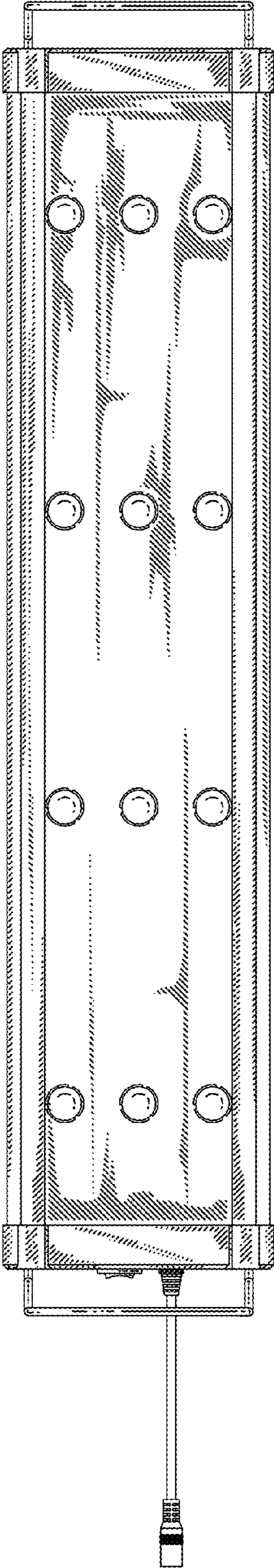


FIG. 7