



US00D690842S

(12) **United States Design Patent**
Feigenbaum

(10) **Patent No.:** **US D690,842 S**
(45) **Date of Patent:** **** Oct. 1, 2013**

(54) **LIGHTING DEVICE**

(75) Inventor: **Marvin Feigenbaum**, New York, NY
(US)

(73) Assignee: **Acolyte Technologies Corporation**,
New York, NY (US)

(**) Term: **14 Years**

(21) Appl. No.: **29/398,579**

(22) Filed: **Aug. 2, 2011**

(51) **LOC (9) Cl.** **26-03**

(52) **U.S. Cl.**
USPC **D26/24**

(58) **Field of Classification Search**
USPC D26/120, 121, 118, 113, 123, 124,
D26/142, 138, 52, 72, 128, 131, 137; D11/7,
D11/9, 10, 15, 21, 43, 45, 85, 89; D13/180,
D13/181; D16/213, 218, 101, 317, 134;
D14/511, 496, 389, 507, 203.1, 217, 299;
40/546; 362/615, 241, 246, 612, 101; 63/35;
D5/45, 63; D7/553.6, 554.2, 388, 624.1,
D7/625

See application file for complete search history.

(56) **References Cited**

U.S. PATENT DOCUMENTS

D104,851 S	6/1937	Hammer	
D106,292 S	10/1937	Hammer	
D124,524 S	1/1941	Benioff	
D143,901 S	2/1946	Dwiggins	
D143,903 S	2/1946	Dwiggins	
3,836,766 A *	9/1974	Auerbach	362/311.14
D234,155 S	1/1975	Gellert	
4,006,614 A	2/1977	Decker	
4,265,039 A	5/1981	Brooks	
D285,456 S	9/1986	Wiens	
D291,360 S	8/1987	De Vos et al.	
4,860,177 A	8/1989	Simms	

D319,078 S	8/1991	Hector, Sr.	
D331,638 S *	12/1992	Vamberszky et al.	D26/118
5,307,250 A *	4/1994	Pearson	362/101
D348,535 S	7/1994	Burnett	
D349,778 S *	8/1994	Johnson et al.	D26/86
D357,758 S	4/1995	Lipps et al.	
D370,072 S	5/1996	Arden	
D377,229 S	1/1997	Shalvi	
D384,181 S	9/1997	Borden	
5,685,097 A	11/1997	Marinov	
D397,233 S *	8/1998	Bassford	D26/67
D400,406 S *	11/1998	House	D7/624.1
6,120,162 A	9/2000	Guerrieri	

(Continued)

OTHER PUBLICATIONS

Acolyte Technologies Corporation, Products Catalog, www.
888Acolyte.com.

(Continued)

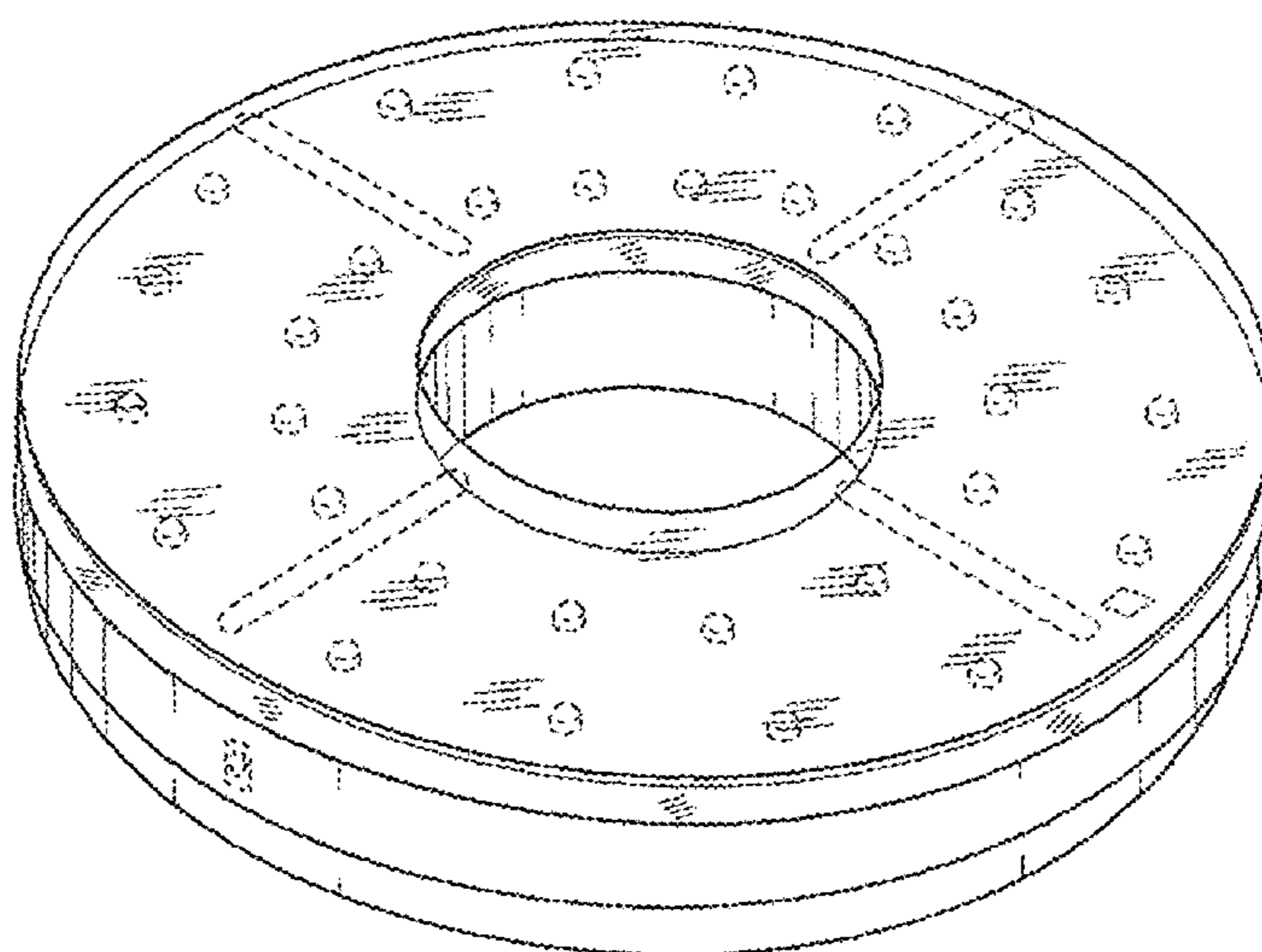
Primary Examiner — Brian N Vinson
(74) *Attorney, Agent, or Firm* — Gottlieb, Rackman &
Reisman PC

(57) **CLAIM**
The ornamental design for a lighting device, as shown and
described.

DESCRIPTION

FIG. 1 is a top and front perspective view of a lighting device
showing my new design;
FIG. 2 is a top plan view thereof;
FIG. 3 is front elevational view thereof;
FIG. 4 is a rear elevational view thereof;
FIG. 5 is a left side view thereof; and,
FIG. 6 is a right side view thereof.
The broken lines showing the environment in some of the
figures are for illustrative purpose only and form no part of the
claimed design.

1 Claim, 3 Drawing Sheets



(56)

References Cited

U.S. PATENT DOCUMENTS

D439,355 S 3/2001 Ford
 D442,303 S 5/2001 Moriyama et al.
 D443,093 S 5/2001 Chiang
 D443,713 S 6/2001 Benensohn
 D446,325 S 8/2001 Guerrieri
 D447,584 S 9/2001 Guerrieri
 D470,891 S 2/2003 Grosz
 D472,339 S 3/2003 Russello et al.
 D482,469 S 11/2003 Guerrieri
 6,641,283 B1 * 11/2003 Bohler 362/238
 D484,270 S 12/2003 Yiu
 D485,004 S 1/2004 Olson
 D489,578 S * 5/2004 Lai D7/624.1
 D495,818 S 9/2004 Shieh
 6,840,654 B2 1/2005 Guerrieri
 D501,573 S * 2/2005 Benensohn D26/89
 6,848,807 B2 2/2005 Guerrieri
 6,848,808 B2 2/2005 Guerrieri
 6,857,771 B2 2/2005 Guerrieri
 6,900,735 B2 5/2005 Guerrieri
 D510,639 S 10/2005 Brady
 D528,996 S * 9/2006 Egawa D13/180
 D535,039 S 1/2007 Sorokin
 D535,262 S 1/2007 Saito et al.
 D543,245 S 5/2007 Feibelman et al.
 D544,117 S 6/2007 Coushaine
 D561,924 S 2/2008 Yiu
 D562,492 S * 2/2008 Chen D26/85
 D573,292 S 7/2008 Zheng et al.
 D577,836 S 9/2008 Engebriksen
 D586,491 S * 2/2009 Levine D26/63
 D590,098 S 4/2009 Campbell

D593,224 S 5/2009 Hanley
 D598,053 S 8/2009 Sanchez
 D598,583 S * 8/2009 Levine D26/25
 D603,811 S 11/2009 Son
 D604,880 S 11/2009 Lovegrove
 D610,733 S 2/2010 Chang
 D615,231 S 5/2010 van Klinken
 D616,590 S 5/2010 Huang et al.
 D617,038 S 6/2010 Feigenbaum
 D620,187 S 7/2010 Quadri
 D620,191 S 7/2010 Feigenbaum
 D625,870 S 10/2010 Feigenbaum
 D626,280 S 10/2010 Feigenbaum
 D629,549 S 12/2010 Feigenbaum
 D633,232 S 2/2011 Feigenbaum
 D633,234 S 2/2011 Feigenbaum
 D642,298 S 7/2011 Feigenbaum
 D642,299 S 7/2011 Feigenbaum
 D643,557 S 8/2011 Feigenbaum
 2008/0158863 A1 7/2008 Tsai
 2010/0039825 A1 2/2010 Yu et al.
 2010/0271823 A1 10/2010 Huang et al.

OTHER PUBLICATIONS

Japanese Patent Office, Office Action in connection with design application serial No. D 2010-013870, rejecting the subject design based on the publication of the product on Amazon.com (see attached photograph) on Jun. 22, 2009.

US Patent Office Pending Applications and their respective file histories U.S. Appl. Nos. 29/401,442, 29/398,581, 29/398,579, 29/398,578, 29/398,576, 29/398,573, 29/394,839, 29/360,778, 29/350,019, 29/346,996.

* cited by examiner

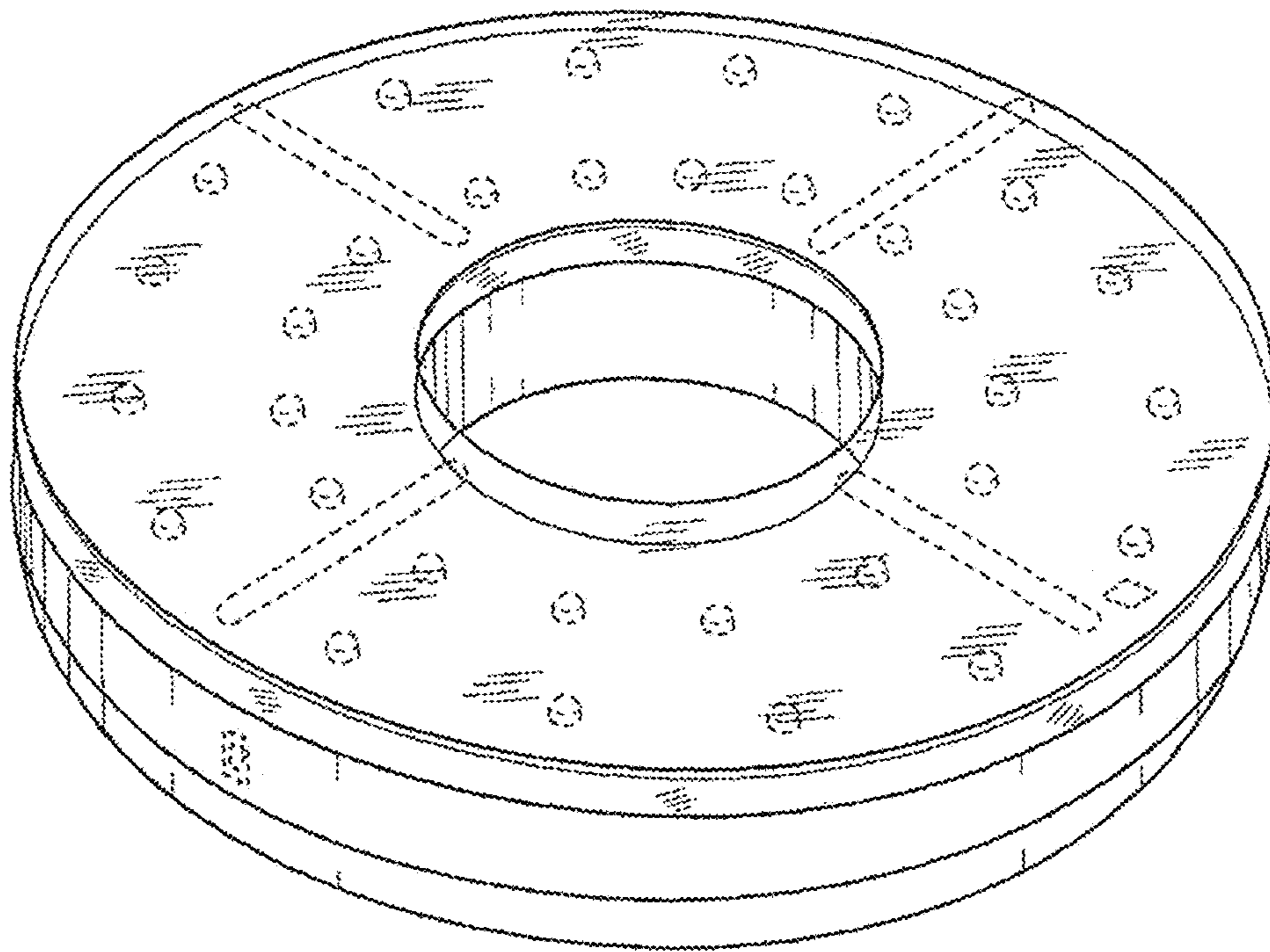


FIG. 1

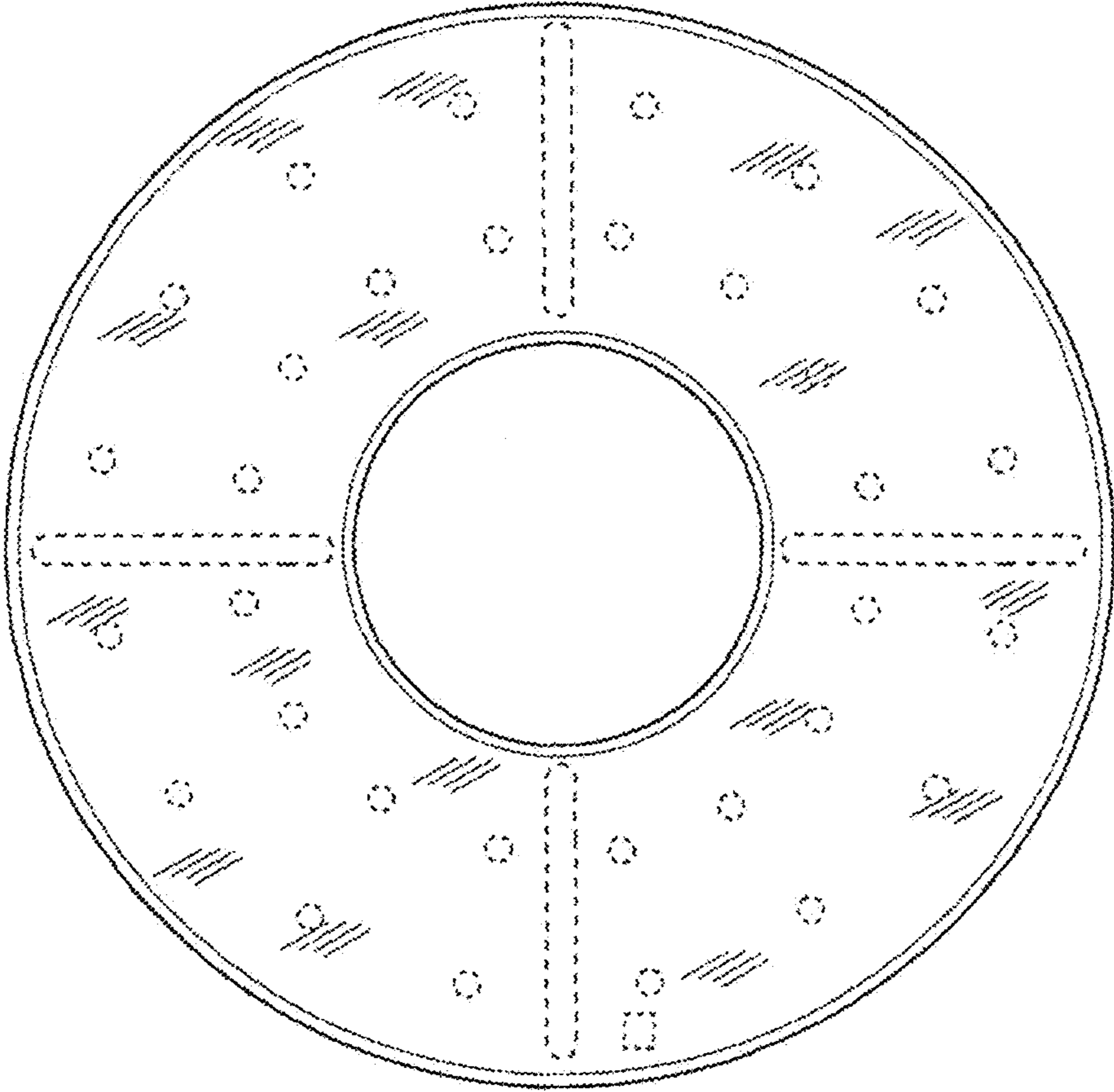


FIG. 2

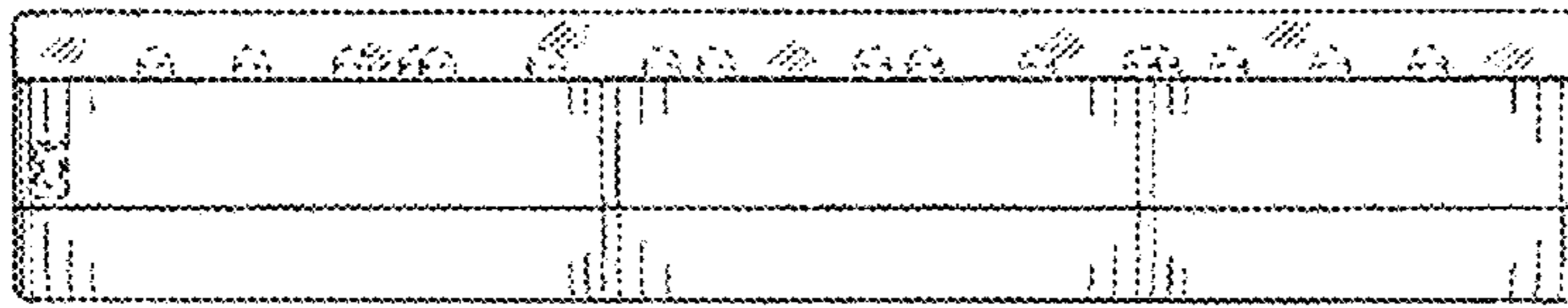


FIG. 3



FIG. 4

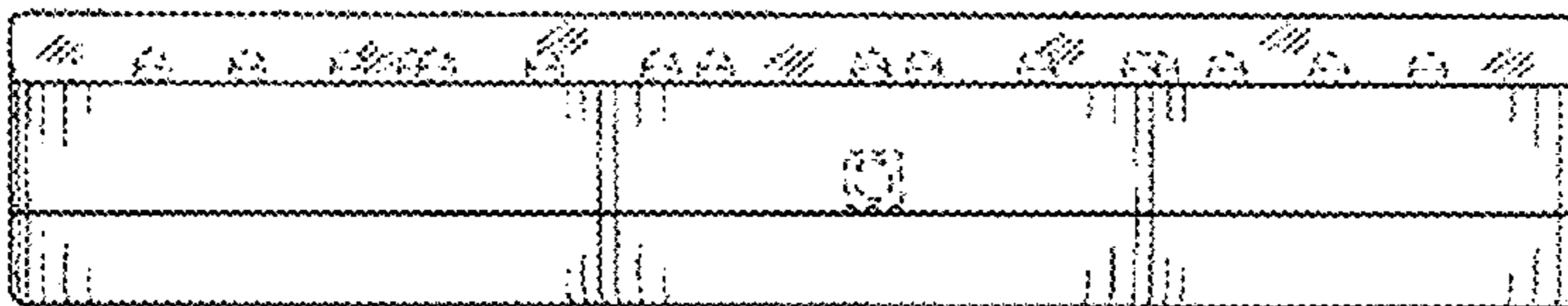


FIG. 5

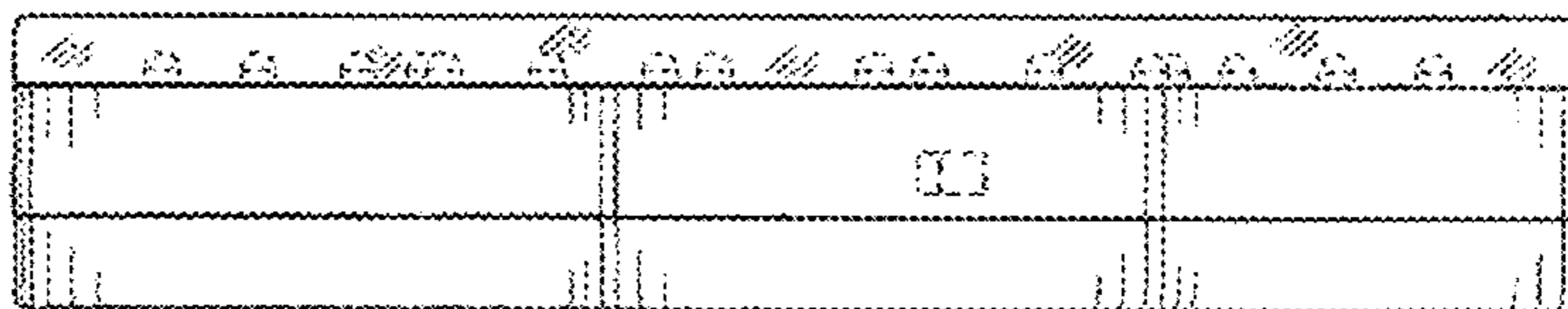


FIG. 6