



US00D690841S

(12) **United States Design Patent**  
**Feigenbaum**

(10) **Patent No.:** **US D690,841 S**

(45) **Date of Patent:** **\*\* Oct. 1, 2013**

(54) **LIGHTING DEVICE**

(75) Inventor: **Marvin Feigenbaum**, New York, NY (US)

(73) Assignee: **Acolyte Technologies Corporation**, New York, NY (US)

(\*\*) Term: **14 Years**

(21) Appl. No.: **29/398,576**

(22) Filed: **Aug. 2, 2011**

(51) **LOC (9) Cl.** ..... **26-05**

(52) **U.S. Cl.**  
USPC ..... **D26/24**

(58) **Field of Classification Search**  
USPC ..... D26/24, 26, 37, 46, 72, 85, 87, 88, D26/89, 93, 104, 113, 118, 1, 2, 3, 28, 38, D26/60; D10/111, 114; D23/366, 367, 368; D13/107, 108, 180, 182; 362/640, 641, 642, 362/643, 644, 652, 653, 655, 657, 249.02, 362/311.02, 800, 806, 555, 567, 116, 122, 362/123, 145, 147, 157, 183, 194, 195, 200  
See application file for complete search history.

(56) **References Cited**

**U.S. PATENT DOCUMENTS**

D104,851 S	6/1937	Hammer
D106,292 S	10/1937	Hammer
D124,524 S	1/1941	Benioff
D143,901 S	2/1946	Dwiggins
D143,903 S	2/1946	Dwiggins
3,836,766 A	9/1974	Auerbach
D234,155 S	1/1975	Gellert
4,006,614 A	2/1977	Decker

(Continued)

**OTHER PUBLICATIONS**

Acolyte Technologies Corporation, Products Catalog, www.888Acolyte.com.

(Continued)

Primary Examiner — Brian N Vinson

(74) *Attorney, Agent, or Firm* — Gottlieb, Rackman & Reisman PC

(57) **CLAIM**

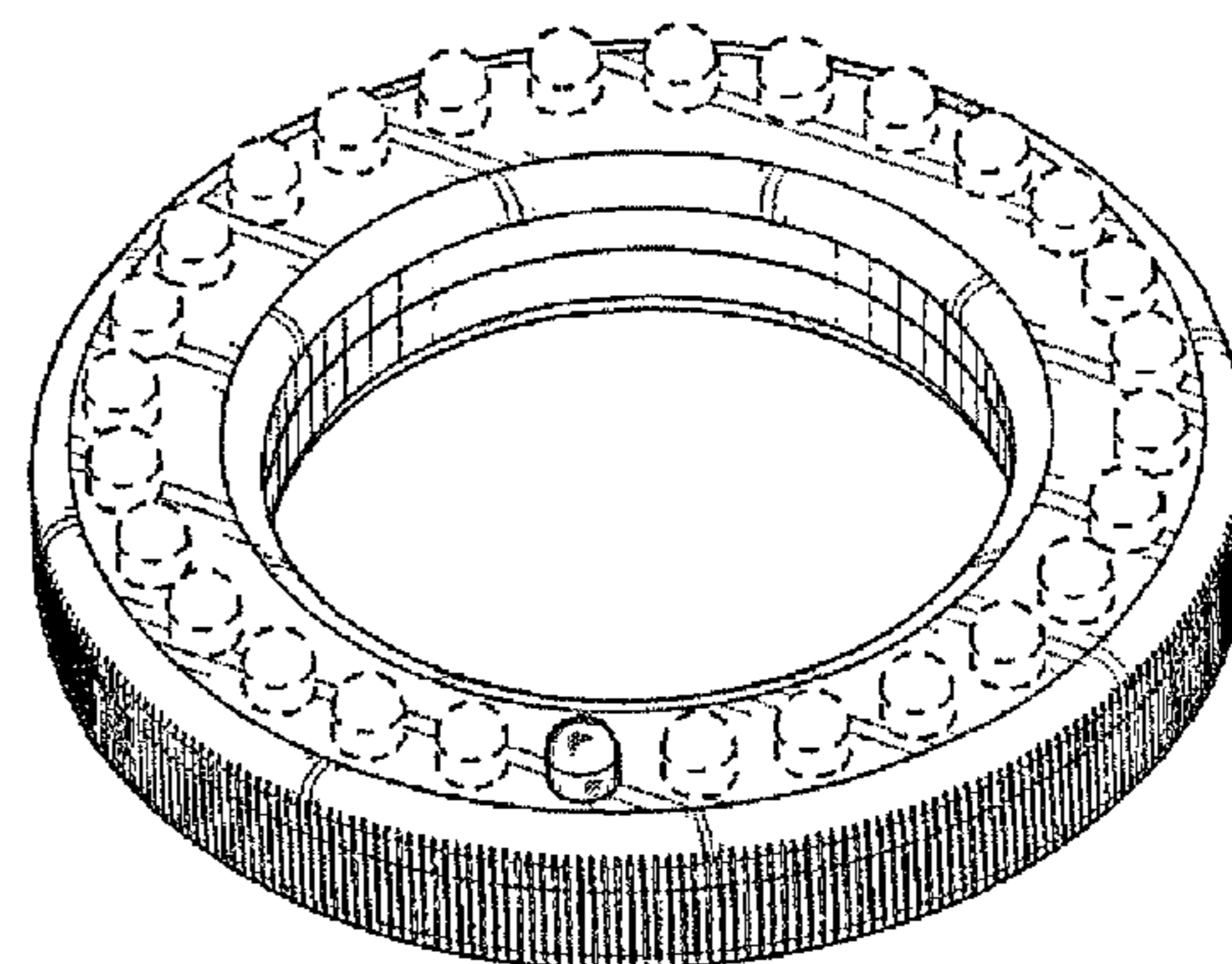
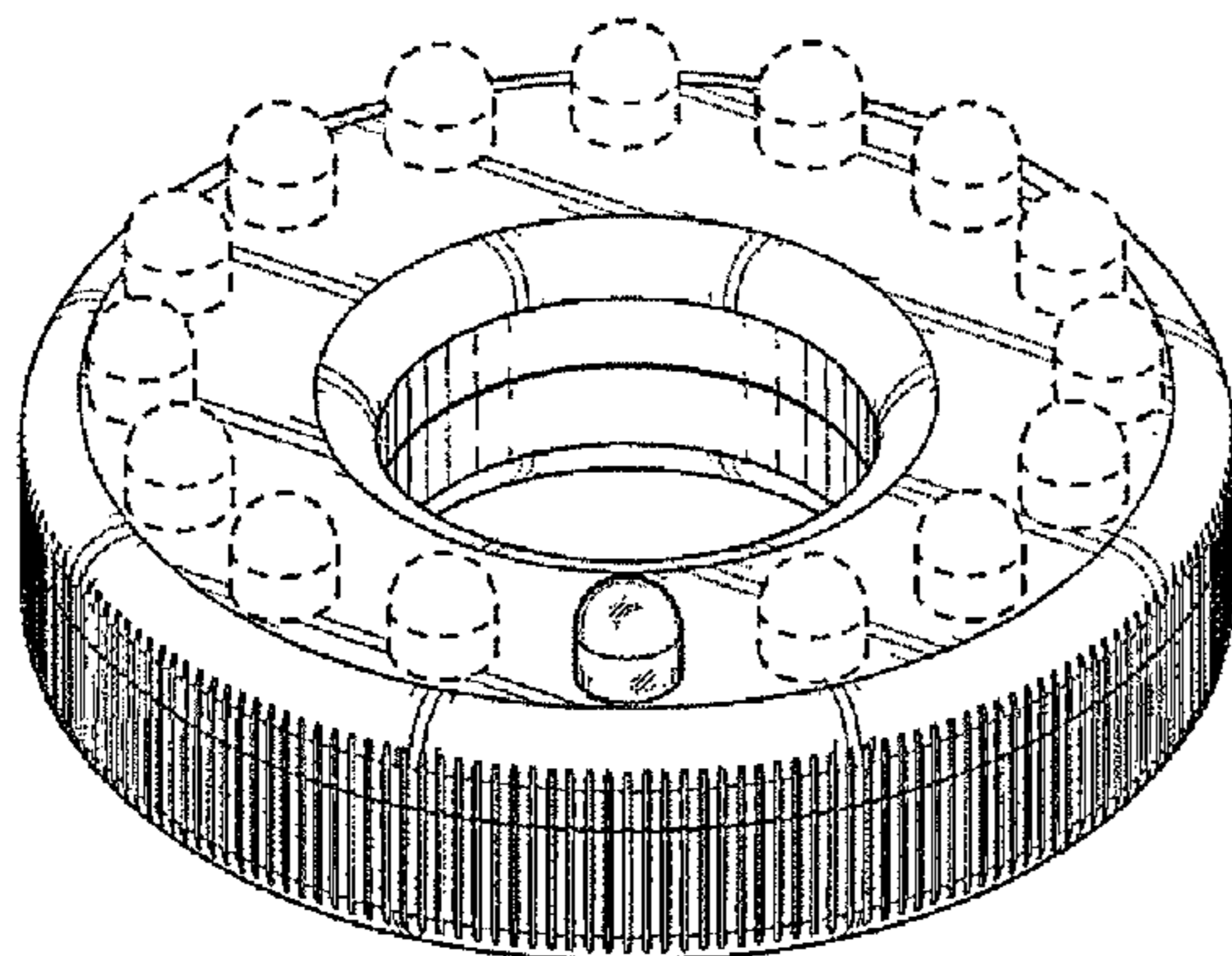
The ornamental design for a lighting device, as shown and described.

**DESCRIPTION**

FIG. 1 is a top and front perspective view of a lighting device showing my new design;  
 FIG. 2 is a front elevational view thereof;  
 FIG. 3 is a rear elevational view thereof;  
 FIG. 4 is a right side view thereof;  
 FIG. 5 is a left side view thereof;  
 FIG. 6 is a top plan view thereof;  
 FIG. 7 is a bottom plan view thereof;  
 FIG. 8 is a top and front perspective view of a second embodiment of a lighting device showing my new design;  
 FIG. 9 is a front elevational view thereof;  
 FIG. 10 is a rear elevational view thereof;  
 FIG. 11 is a right side view thereof;  
 FIG. 12 is a left side view thereof;  
 FIG. 13 is a top plan view thereof;  
 FIG. 14 is a bottom plan view thereof;  
 FIG. 15 is a top and front perspective view of a third embodiment of a lighting device showing my new design;  
 FIG. 16 is a front elevational view thereof;  
 FIG. 17 is a rear elevational view thereof;  
 FIG. 18 is a right side view thereof;  
 FIG. 19 is a left side view thereof;  
 FIG. 20 is a top plan view thereof; and,  
 FIG. 21 is a bottom plan view thereof.

The broken-line disclosure represents portions of the article in which the claimed design is embodied, but which form no part of the claimed design.

**1 Claim, 6 Drawing Sheets**



(56)

References Cited

U.S. PATENT DOCUMENTS

4,265,039 A 5/1981 Brooks  
 D285,456 S 9/1986 Wiens  
 D291,360 S 8/1987 De Vos et al.  
 4,860,177 A 8/1989 Simms  
 D319,078 S 8/1991 Hector, Sr.  
 D331,638 S 12/1992 Vamberszky et al.  
 5,307,250 A 4/1994 Pearson  
 D348,535 S 7/1994 Burnett  
 D349,778 S 8/1994 Johnson et al.  
 D357,758 S 4/1995 Lipps et al.  
 D370,072 S 5/1996 Arden  
 D377,229 S 1/1997 Shalvi  
 D384,181 S \* 9/1997 Borden ..... D26/37  
 5,685,097 A 11/1997 Marinov  
 D397,233 S 8/1998 Bassford  
 D400,406 S 11/1998 House  
 6,120,162 A 9/2000 Guerrieri  
 D439,355 S 3/2001 Ford  
 D442,303 S \* 5/2001 Moriyama et al. .... D26/24  
 D443,093 S 5/2001 Chiang  
 D443,713 S 6/2001 Benensohn  
 D446,325 S 8/2001 Guerrieri  
 D447,584 S 9/2001 Guerrieri  
 D470,891 S 2/2003 Grosz  
 D472,339 S 3/2003 Russello et al.  
 D482,469 S 11/2003 Guerrieri  
 6,641,283 B1 11/2003 Bohler  
 D484,270 S \* 12/2003 Yiu ..... D26/89  
 D485,004 S 1/2004 Olson  
 D489,578 S 5/2004 Lai  
 D495,818 S 9/2004 Shieh  
 6,840,654 B2 1/2005 Guerrieri  
 D501,573 S 2/2005 Benensohn  
 6,848,807 B2 2/2005 Guerrieri  
 6,848,808 B2 2/2005 Guerrieri  
 6,857,771 B2 2/2005 Guerrieri  
 6,900,735 B2 5/2005 Guerrieri  
 D510,639 S 10/2005 Brady  
 D528,996 S 9/2006 Egawa  
 D535,039 S 1/2007 Sorokin  
 D535,262 S 1/2007 Saito et al.  
 D543,245 S 5/2007 Feibelman et al.

D544,117 S 6/2007 Coushaine  
 D561,373 S \* 2/2008 Yan ..... D26/72  
 D561,924 S \* 2/2008 Yiu ..... D26/72  
 D562,492 S 2/2008 Chen  
 D573,292 S 7/2008 Zheng et al.  
 D577,836 S 9/2008 Engebrigtsen  
 D586,491 S 2/2009 Levine  
 D590,098 S 4/2009 Campbell  
 D593,224 S \* 5/2009 Hanley ..... D26/2  
 D598,053 S 8/2009 Sanchez  
 D598,583 S 8/2009 Levine  
 D603,811 S \* 11/2009 Son ..... D13/180  
 D604,880 S 11/2009 Lovegrove  
 D610,733 S 2/2010 Chang  
 D615,231 S 5/2010 van Klinken  
 D616,590 S 5/2010 Huang et al.  
 D617,038 S 6/2010 Feigenbaum  
 D620,187 S 7/2010 Quadri  
 D620,191 S 7/2010 Feigenbaum  
 D625,870 S 10/2010 Feigenbaum  
 D626,280 S 10/2010 Feigenbaum  
 D629,549 S 12/2010 Feigenbaum  
 D633,232 S \* 2/2011 Feigenbaum ..... D26/24  
 D633,234 S \* 2/2011 Feigenbaum ..... D26/24  
 D642,298 S \* 7/2011 Feigenbaum ..... D26/24  
 D642,299 S \* 7/2011 Feigenbaum ..... D26/24  
 D643,557 S \* 8/2011 Feigenbaum ..... D26/24  
 D647,228 S \* 10/2011 Feigenbaum ..... D26/24  
 D653,781 S \* 2/2012 Feigenbaum ..... D26/24  
 2008/0158863 A1 7/2008 Tsai  
 2010/0039825 A1 2/2010 Yu et al.  
 2010/0271823 A1 10/2010 Huang et al.

OTHER PUBLICATIONS

Japanese Patent Office, Office Action in connection with design application serial No. D 2010-013870, rejecting the subject design based on the publication of the product on Amazon.com (see attached photograph) on Jun. 22, 2009.  
 US Patent Office Pending Applications and their respective file histories U.S. Appl. Nos. 29/401,442, 29/398,581, 29/398,579, 29/398,578, 29/398,576, 29/398,573, 29/394,839, 29/360,778, 29/350,019, 29/346,996.

\* cited by examiner

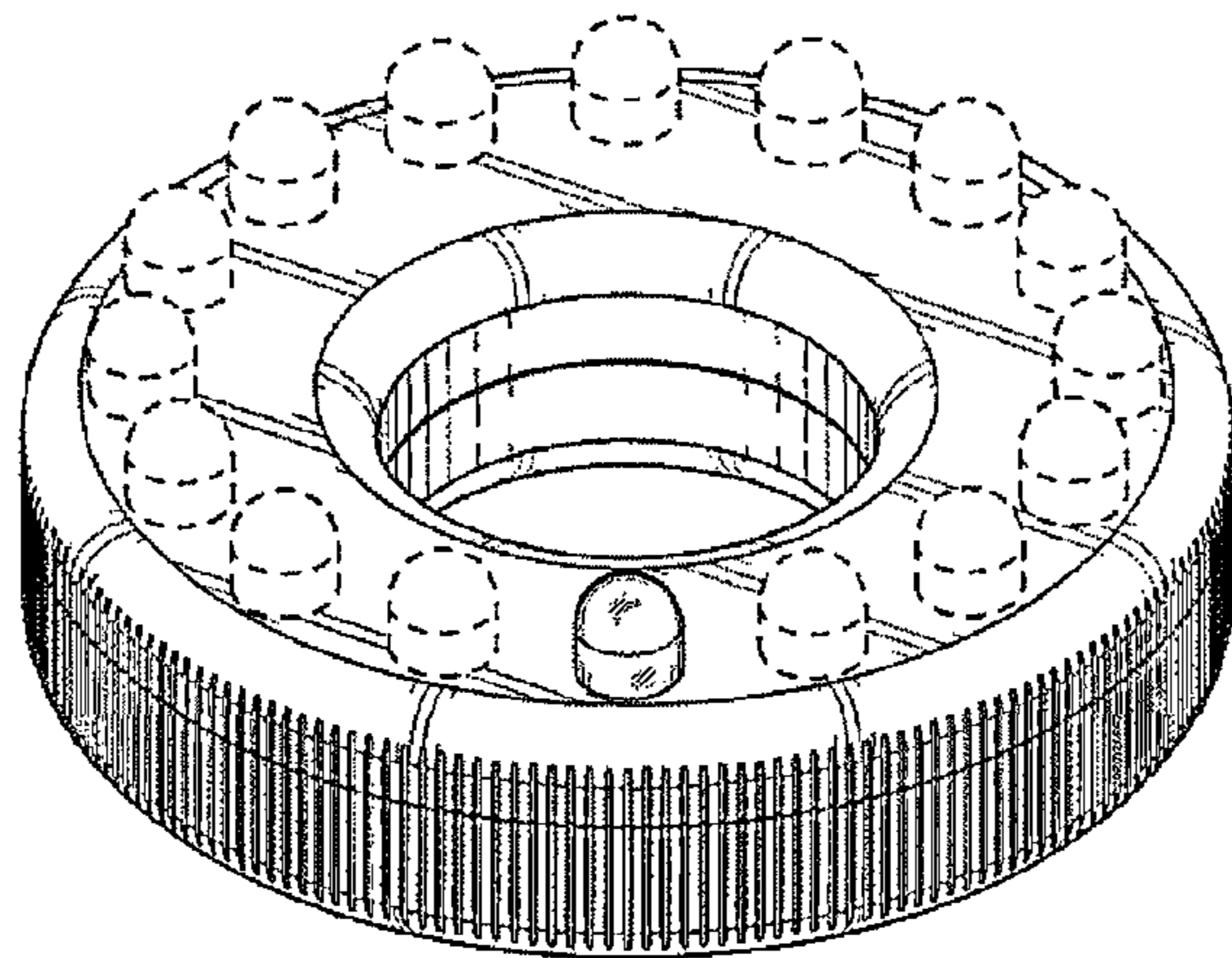


FIG. 1

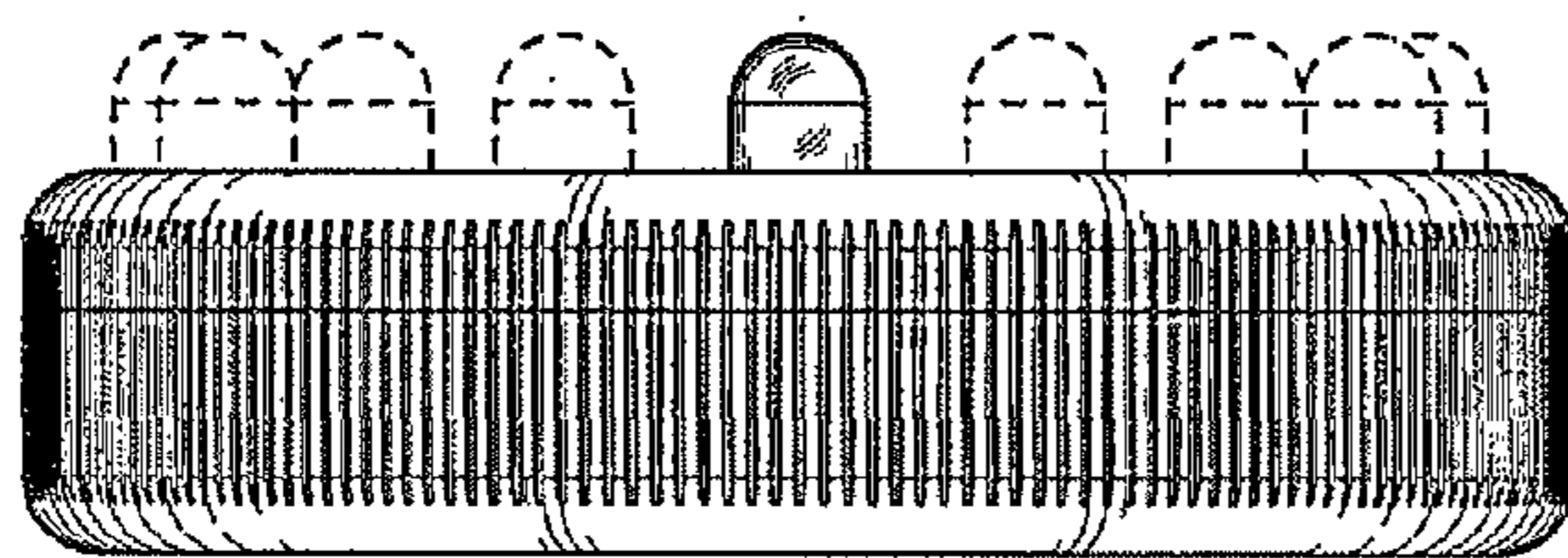


FIG. 2

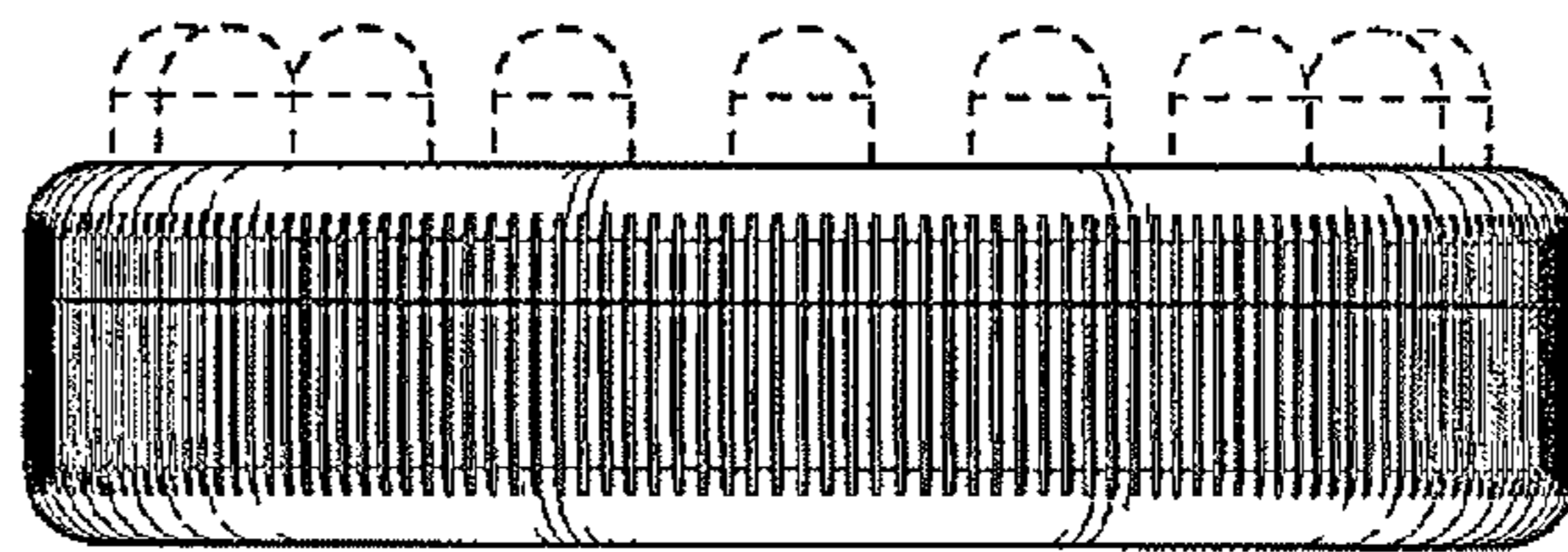


FIG. 3

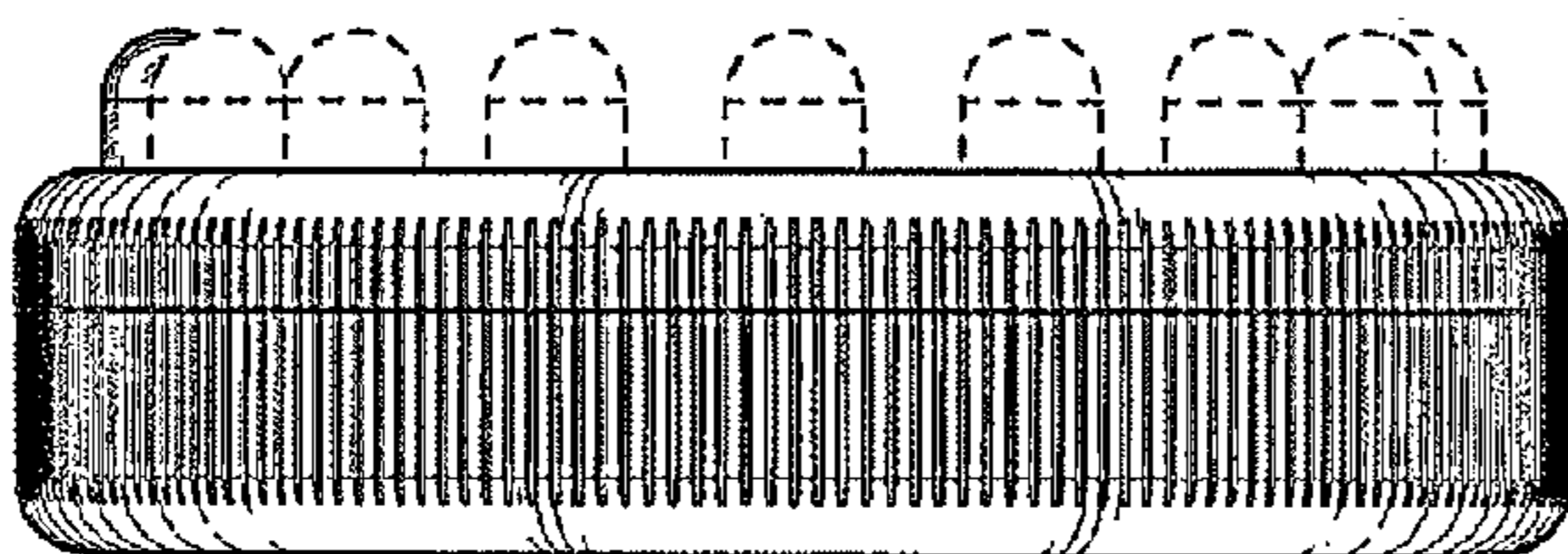


FIG. 4

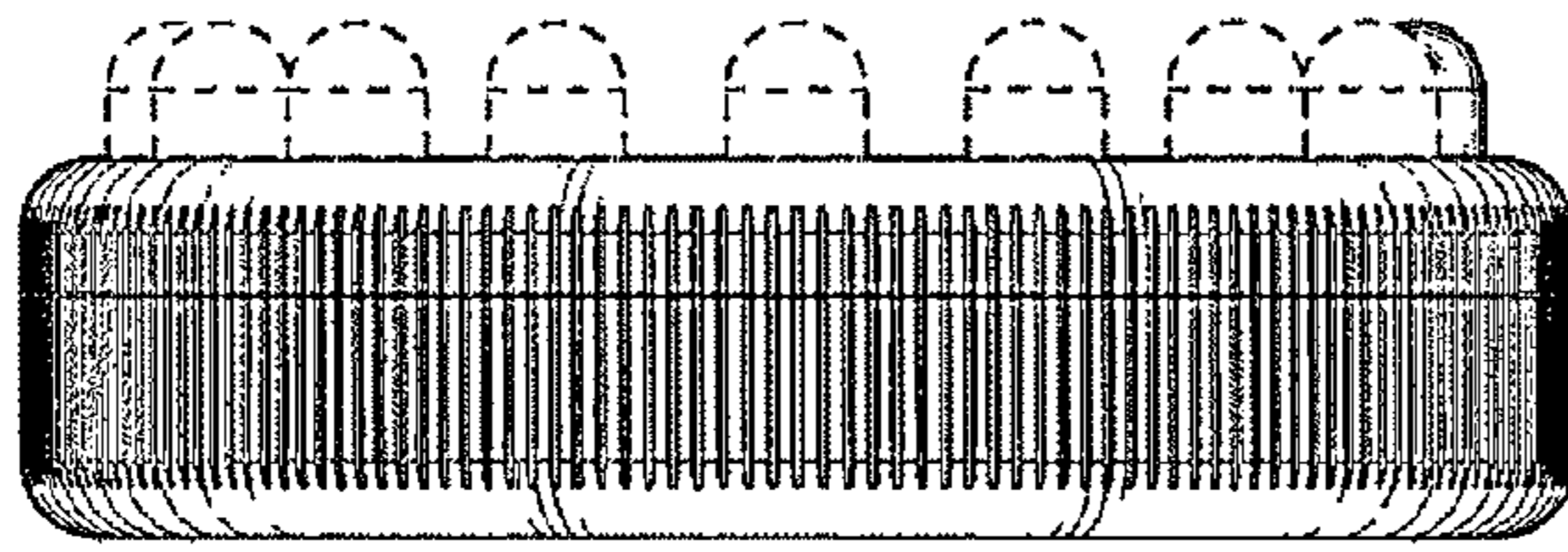


FIG. 5

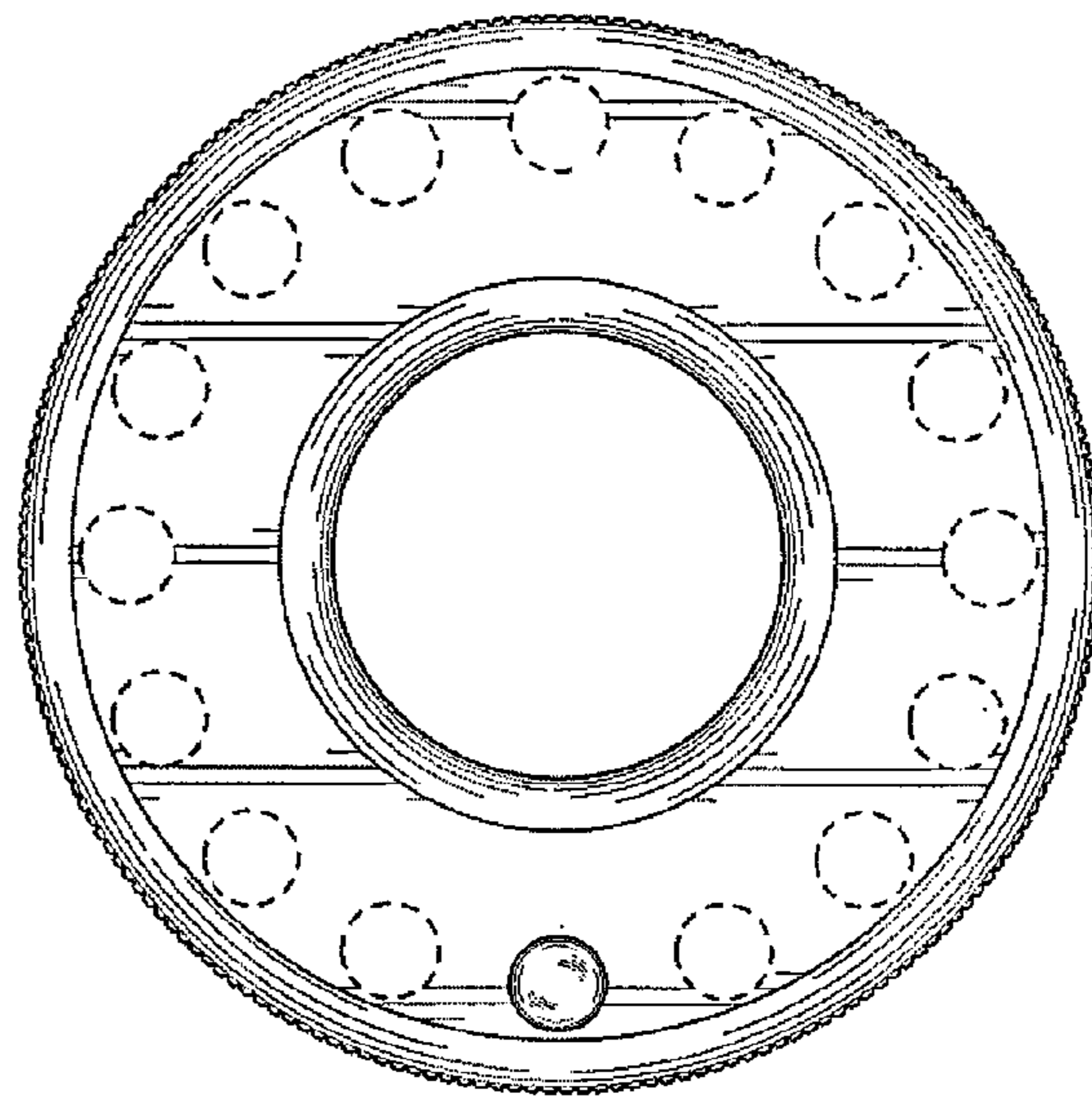


FIG. 6

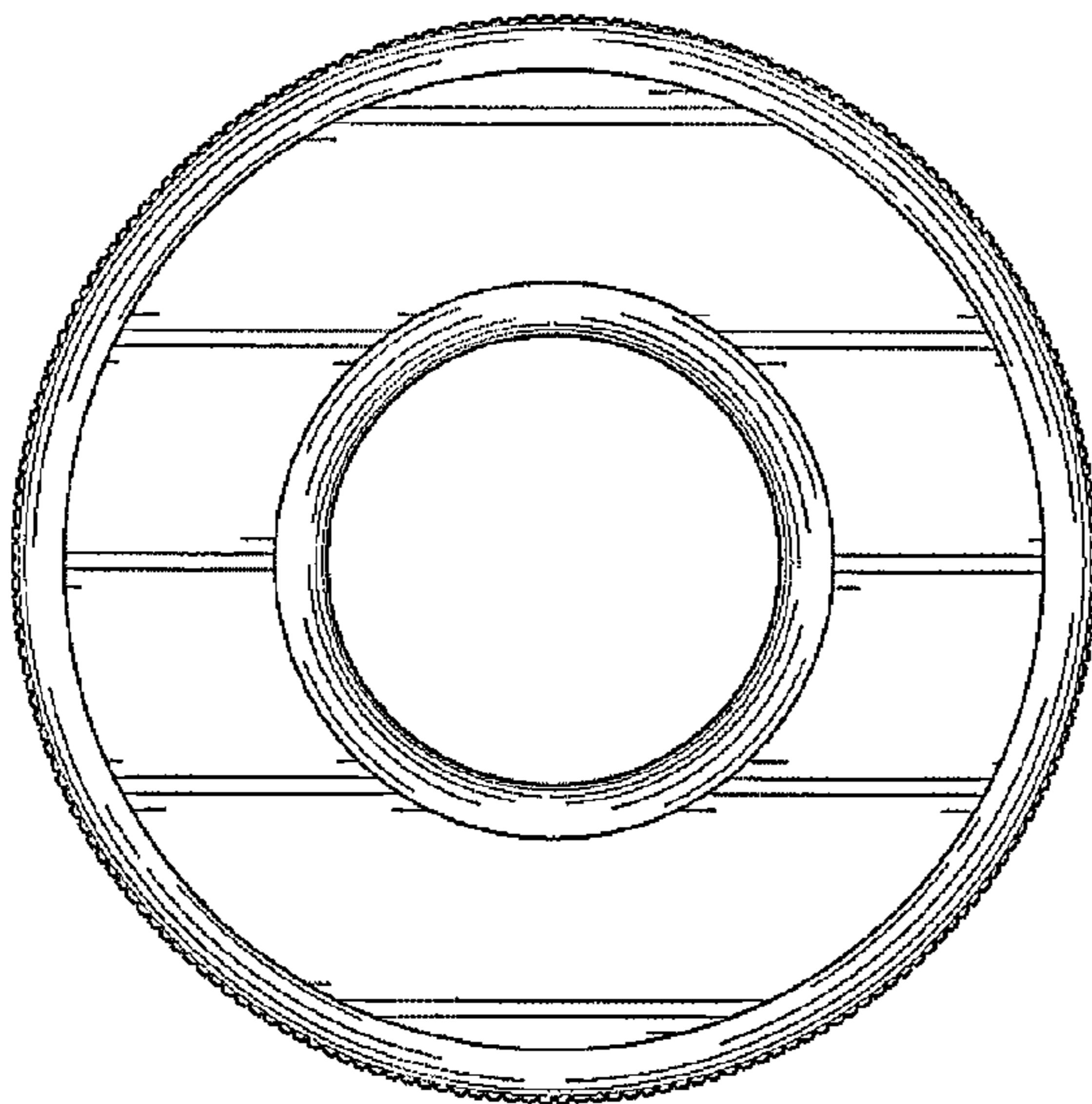


FIG. 7

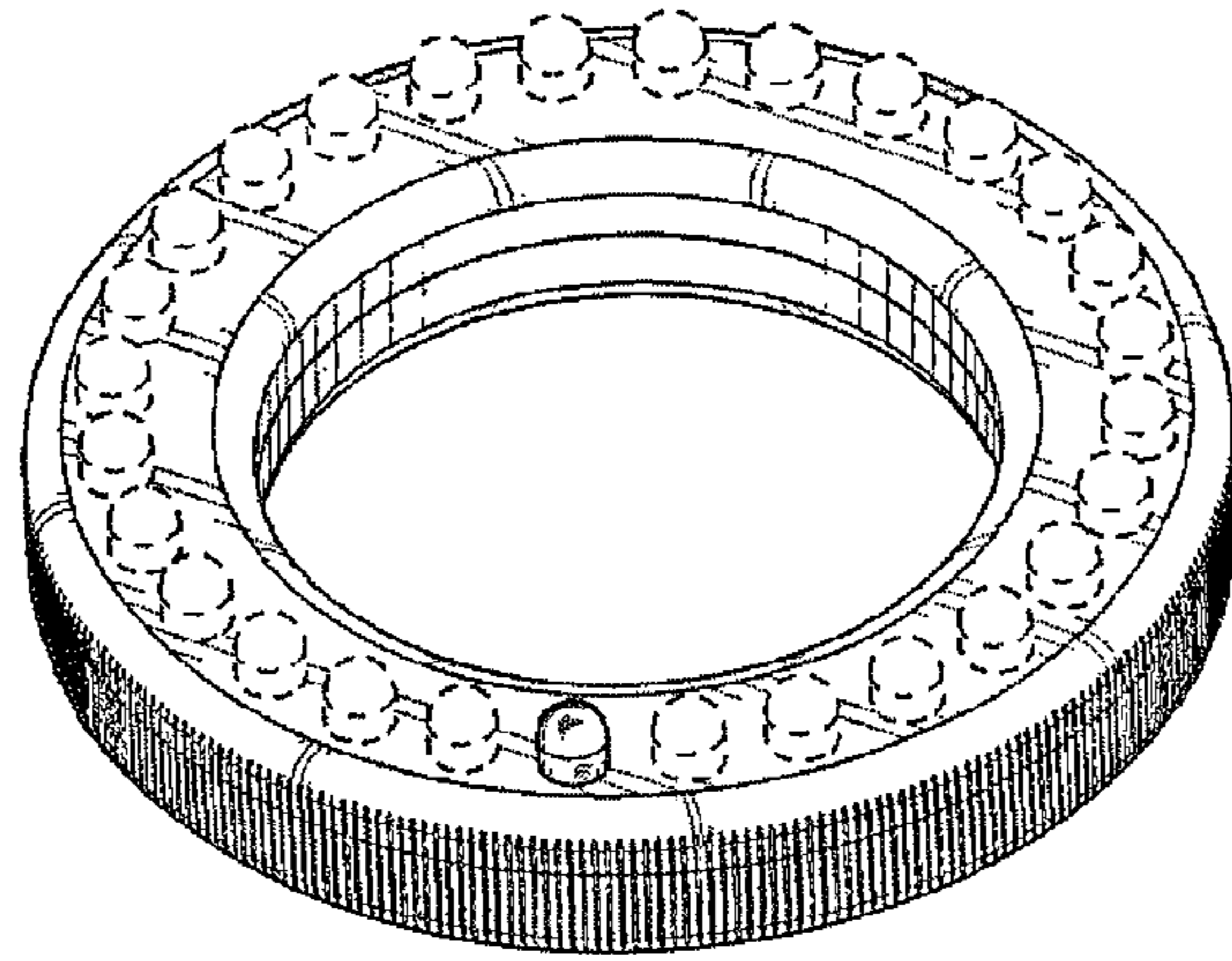


FIG. 8

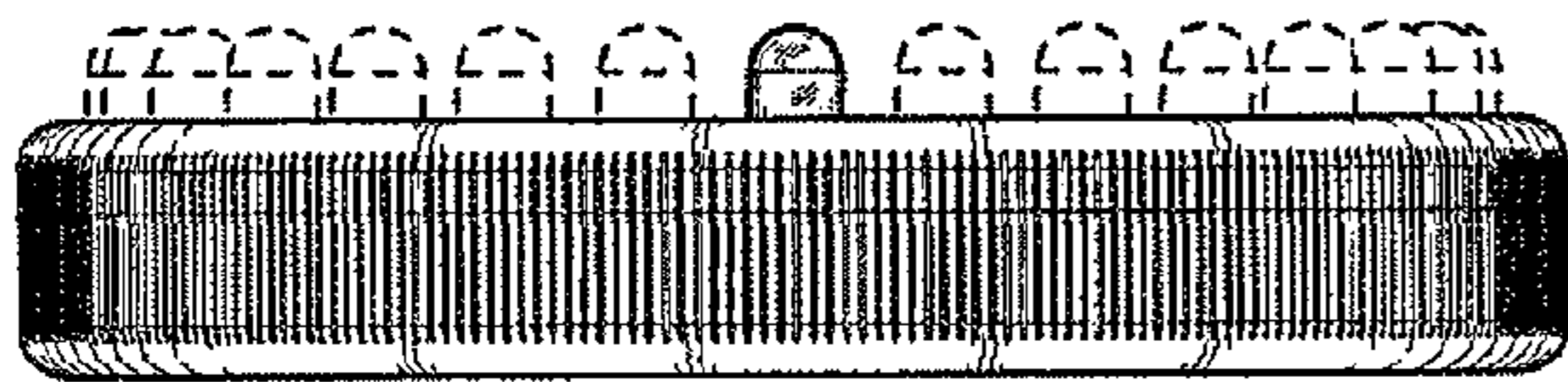


FIG. 9

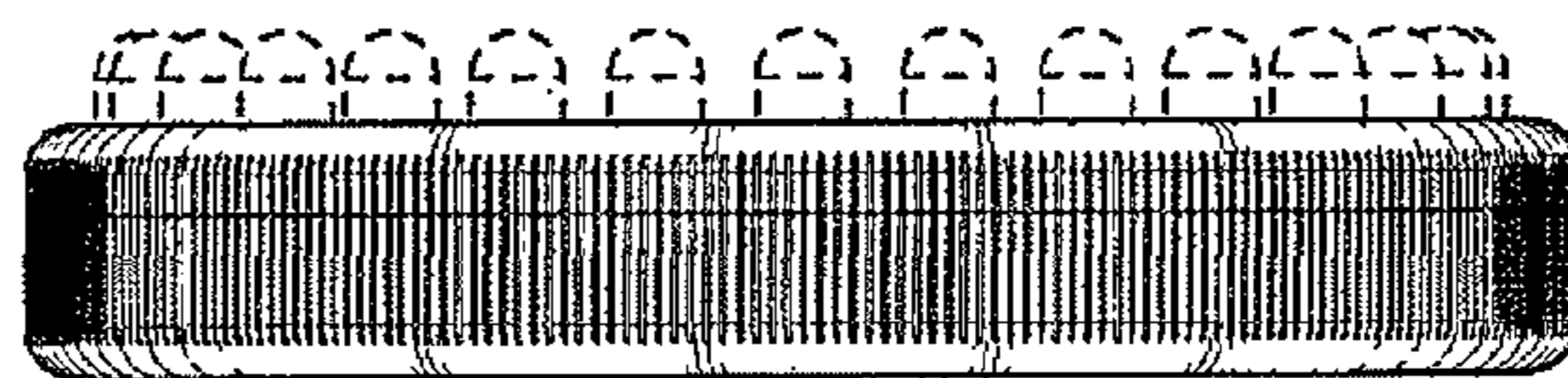


FIG. 10

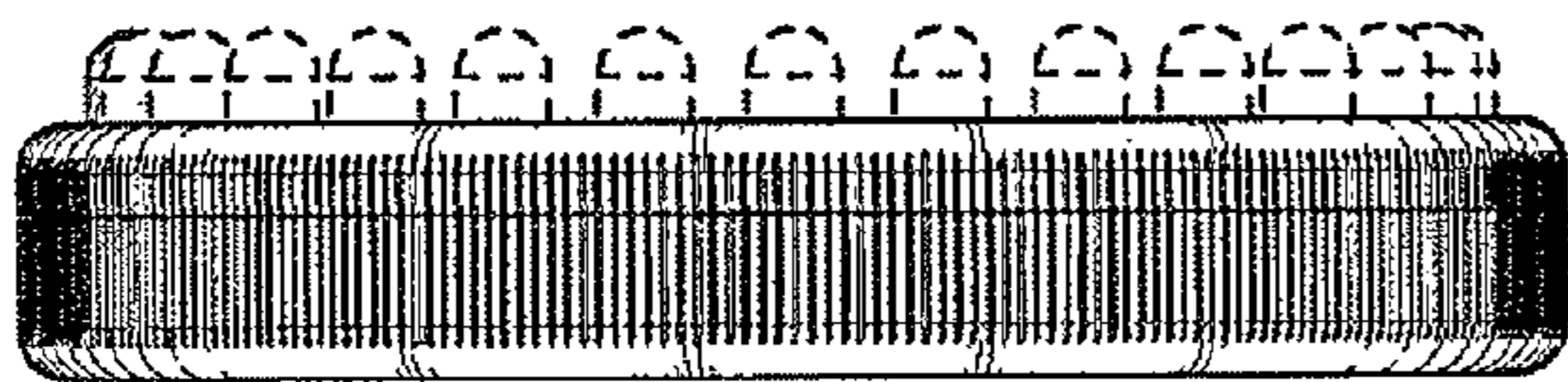


FIG. 11

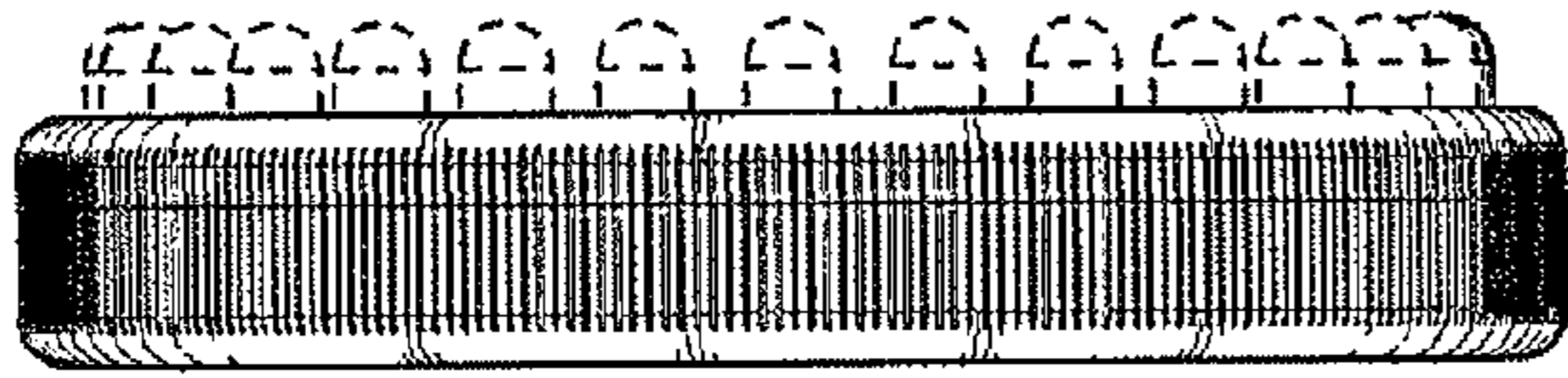


FIG. 12

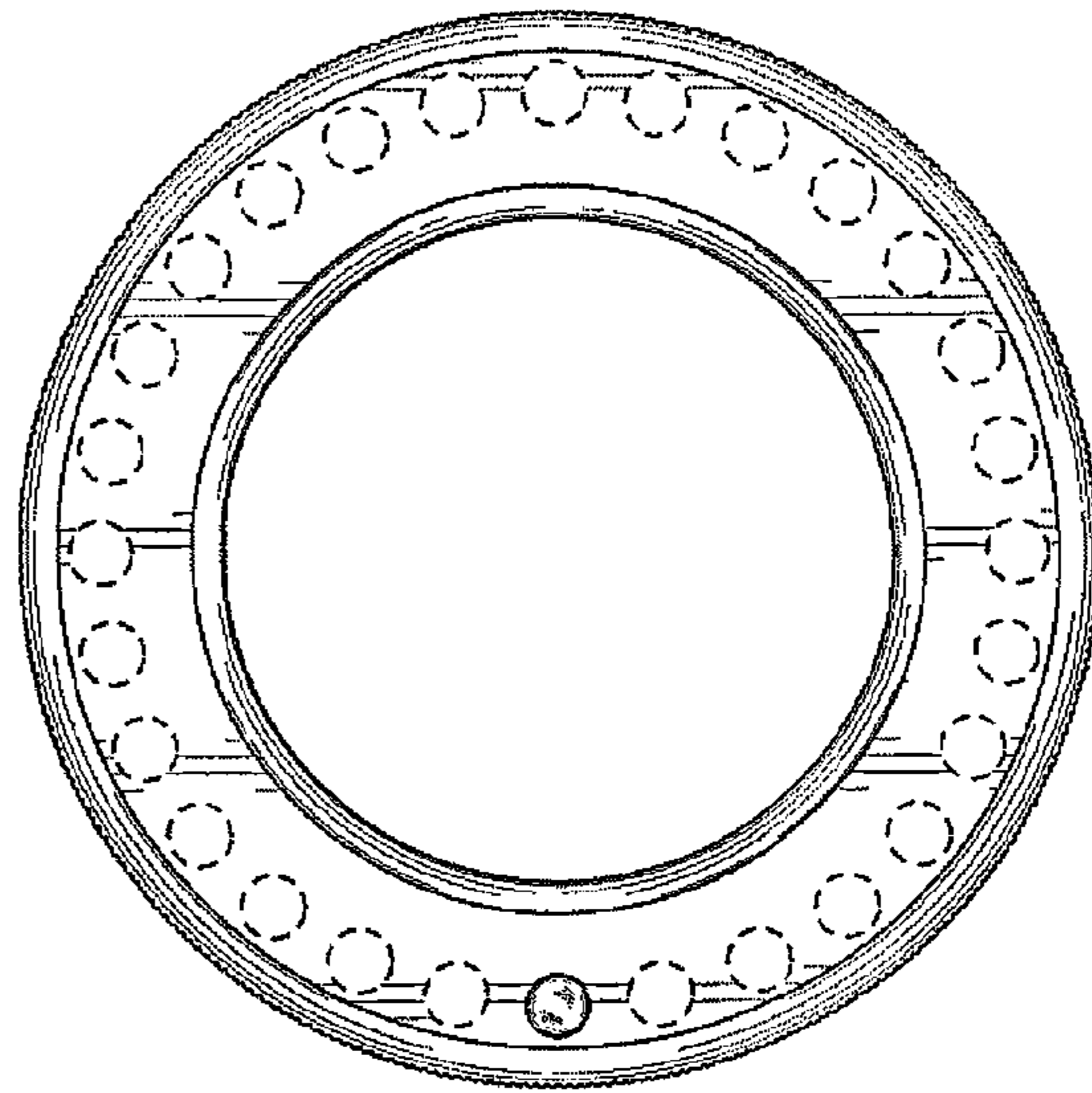


FIG. 13

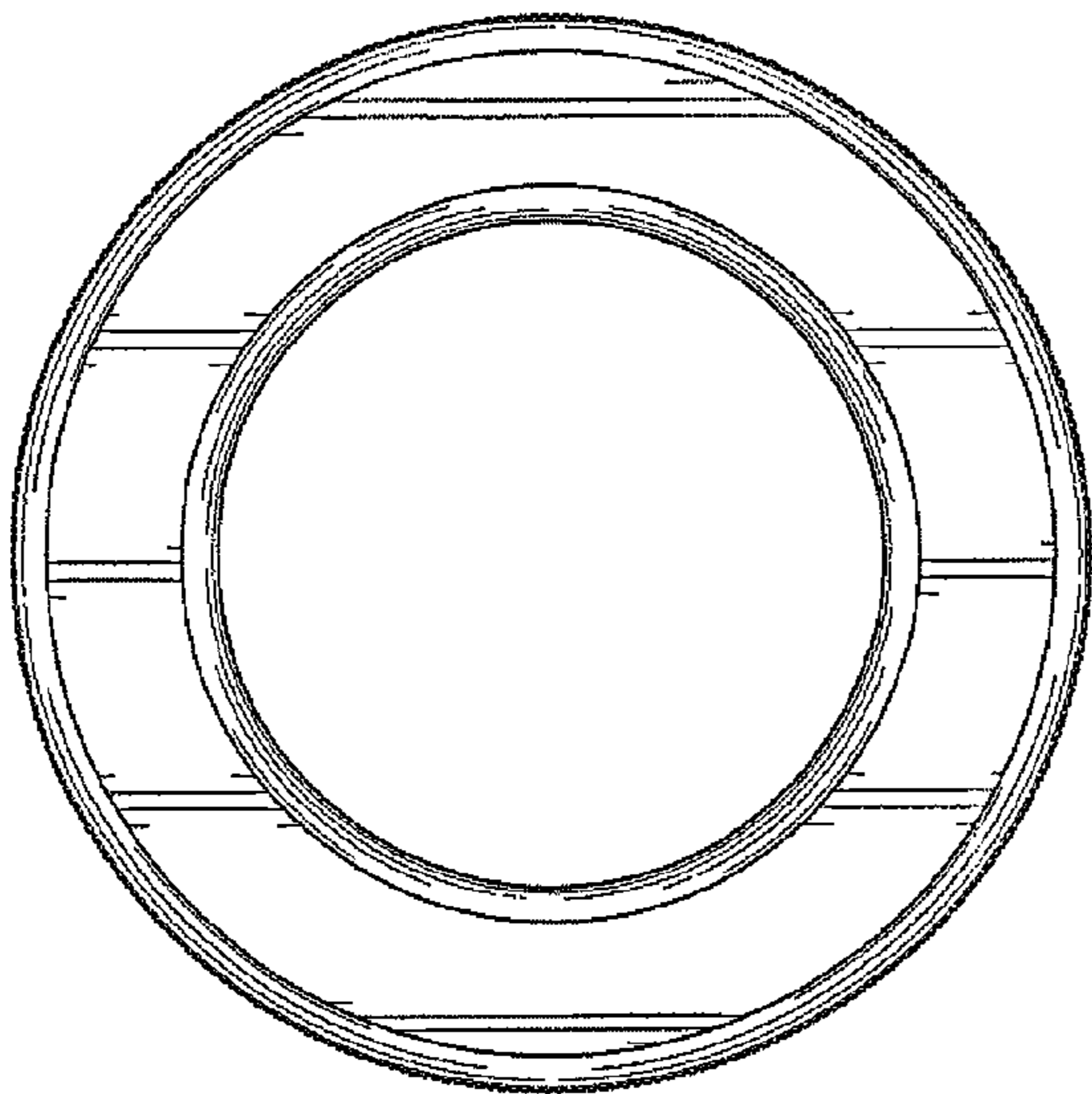


FIG. 14

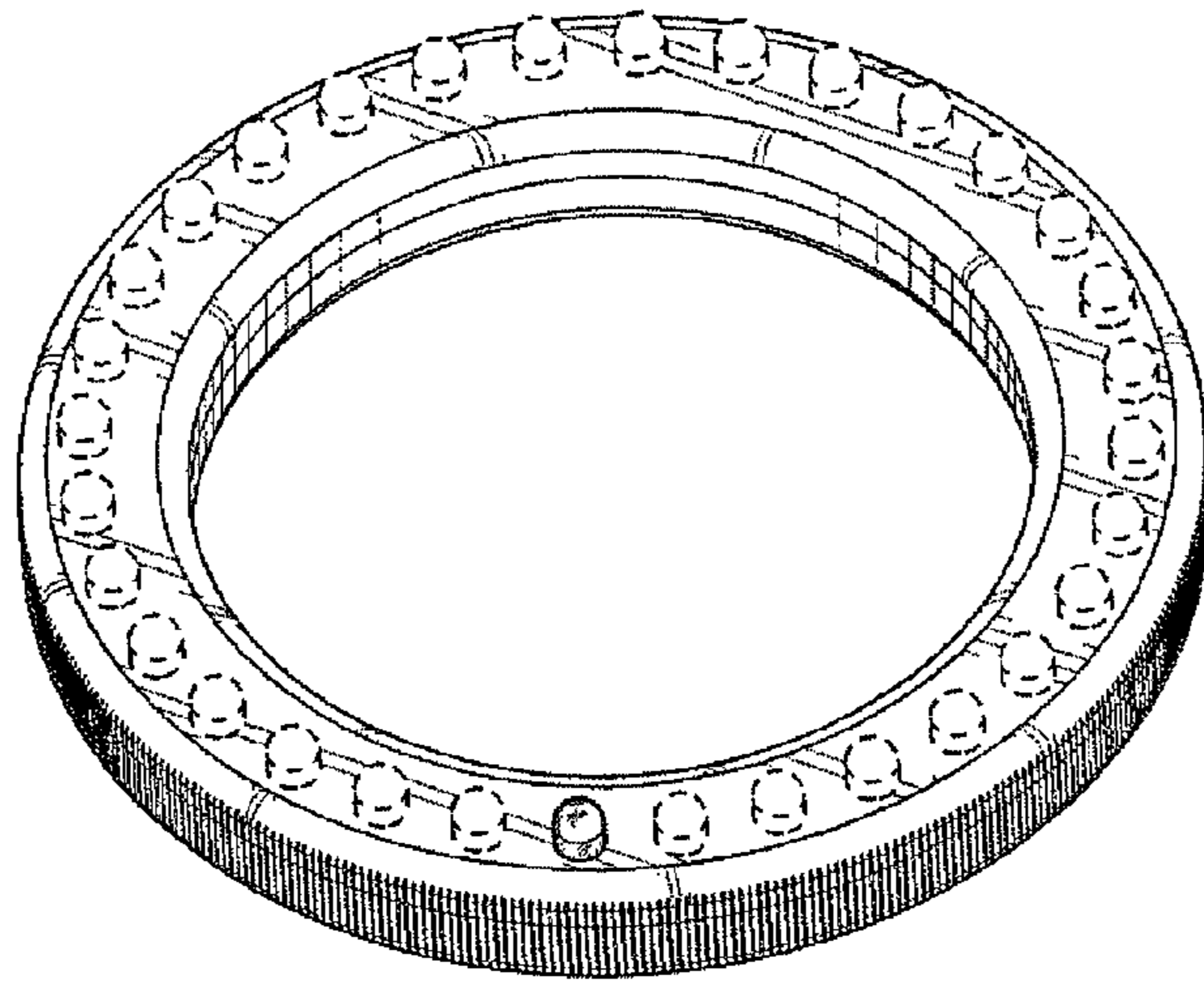


FIG. 15

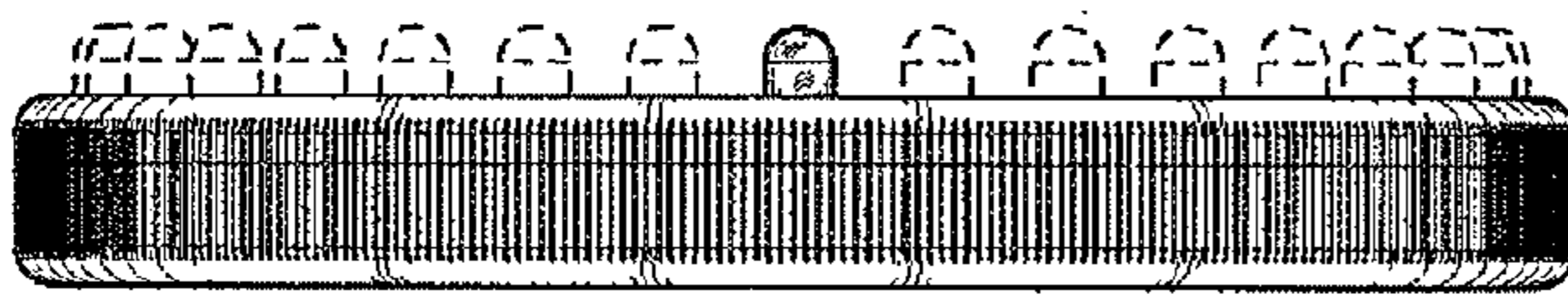


FIG. 16

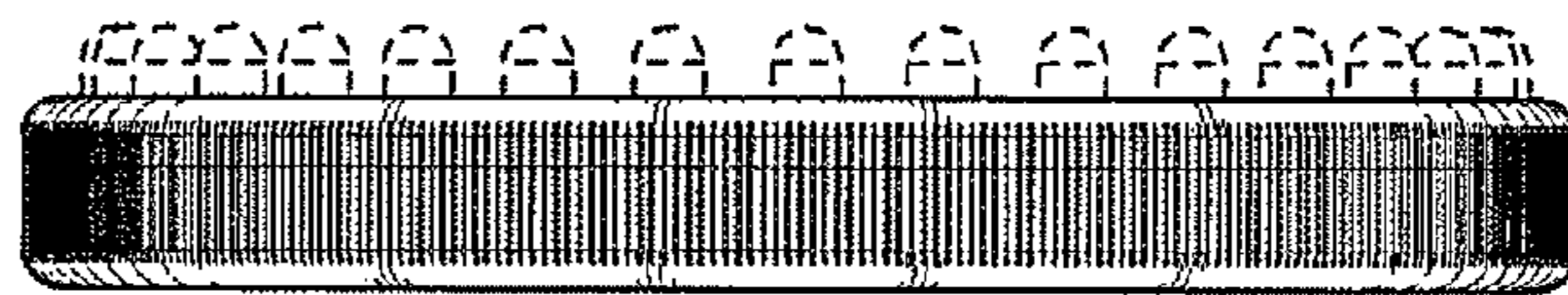


FIG. 17

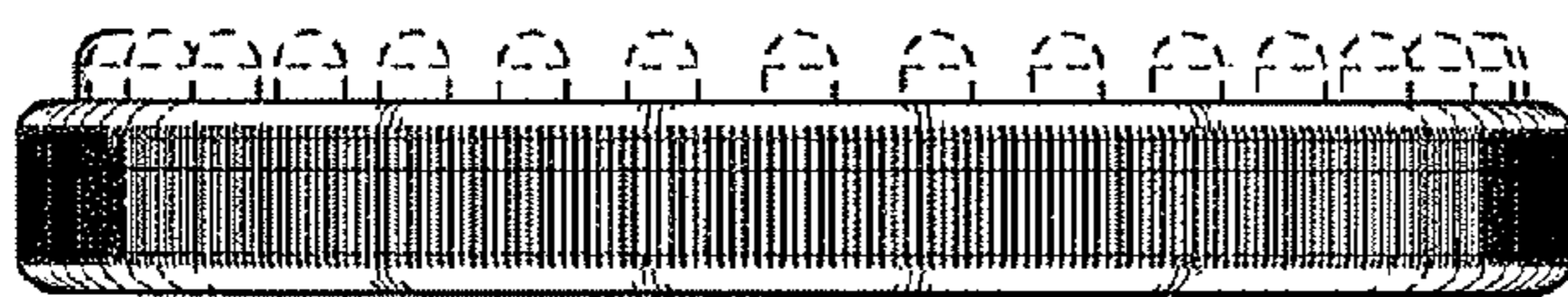


FIG. 18

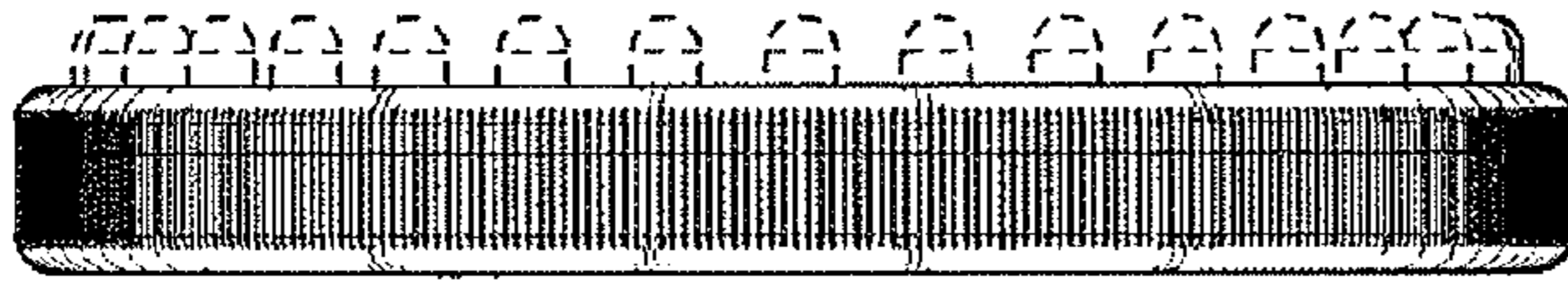


FIG. 19

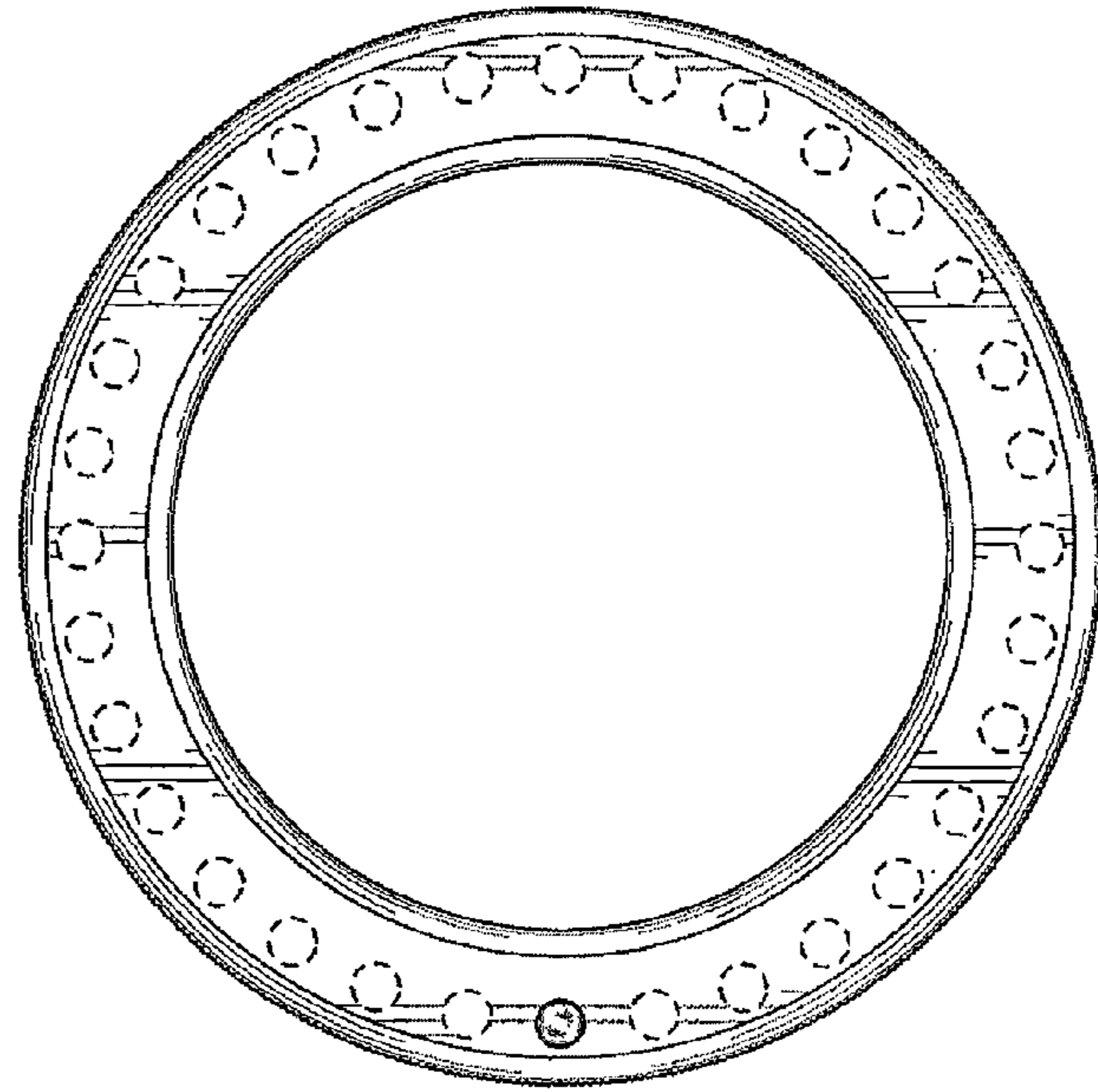


FIG. 20

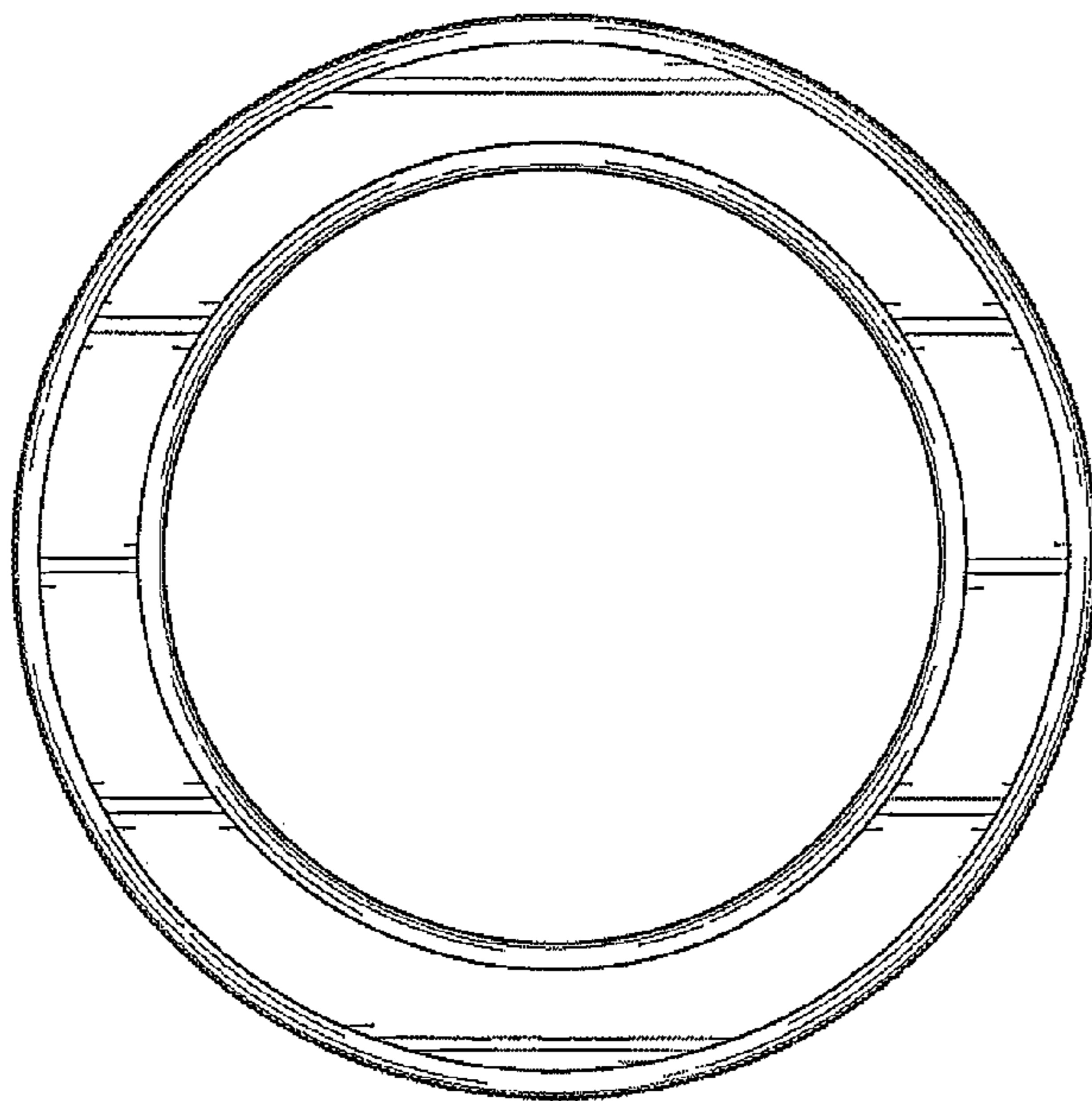


FIG. 21