

US00D690834S

(12) **United States Design Patent**
Caleen et al.

(10) **Patent No.:** **US D690,834 S**

(45) **Date of Patent:** **** *Oct. 1, 2013**

(54) **DETACHABLE LADDER WHEEL**

(76) Inventors: **Lance H. Caleen**, Haines City, FL (US);
Lillian Caleen, Haines City, FL (US)

(*) Notice: This patent is subject to a terminal disclaimer.

(**) Term: **14 Years**

(21) Appl. No.: **29/422,570**

(22) Filed: **May 22, 2012**

(51) **LOC (9) Cl.** **25-04**

(52) **U.S. Cl.**
USPC **D25/68**

(58) **Field of Classification Search**
USPC D25/68; 248/238, 210; 182/221,
182/129, 107, 20; 280/8, 3, 29
See application file for complete search history.

(56) **References Cited**

U.S. PATENT DOCUMENTS

5,738,185 A * 4/1998 Sears 182/102
D431,081 S * 9/2000 Johansson et al. D25/68

6,688,426 B1 * 2/2004 Mikros 182/17
D555,258 S * 11/2007 Wirch et al. D25/68
2002/0125071 A1 * 9/2002 Barnett 182/107

* cited by examiner

Primary Examiner — Doris Clark
(74) *Attorney, Agent, or Firm* — Daniel Law Offices, P.A.;
Jason T. Daniel, Esq.

(57) **CLAIM**

We claim the ornamental design for a detachable ladder wheel, as shown and described.

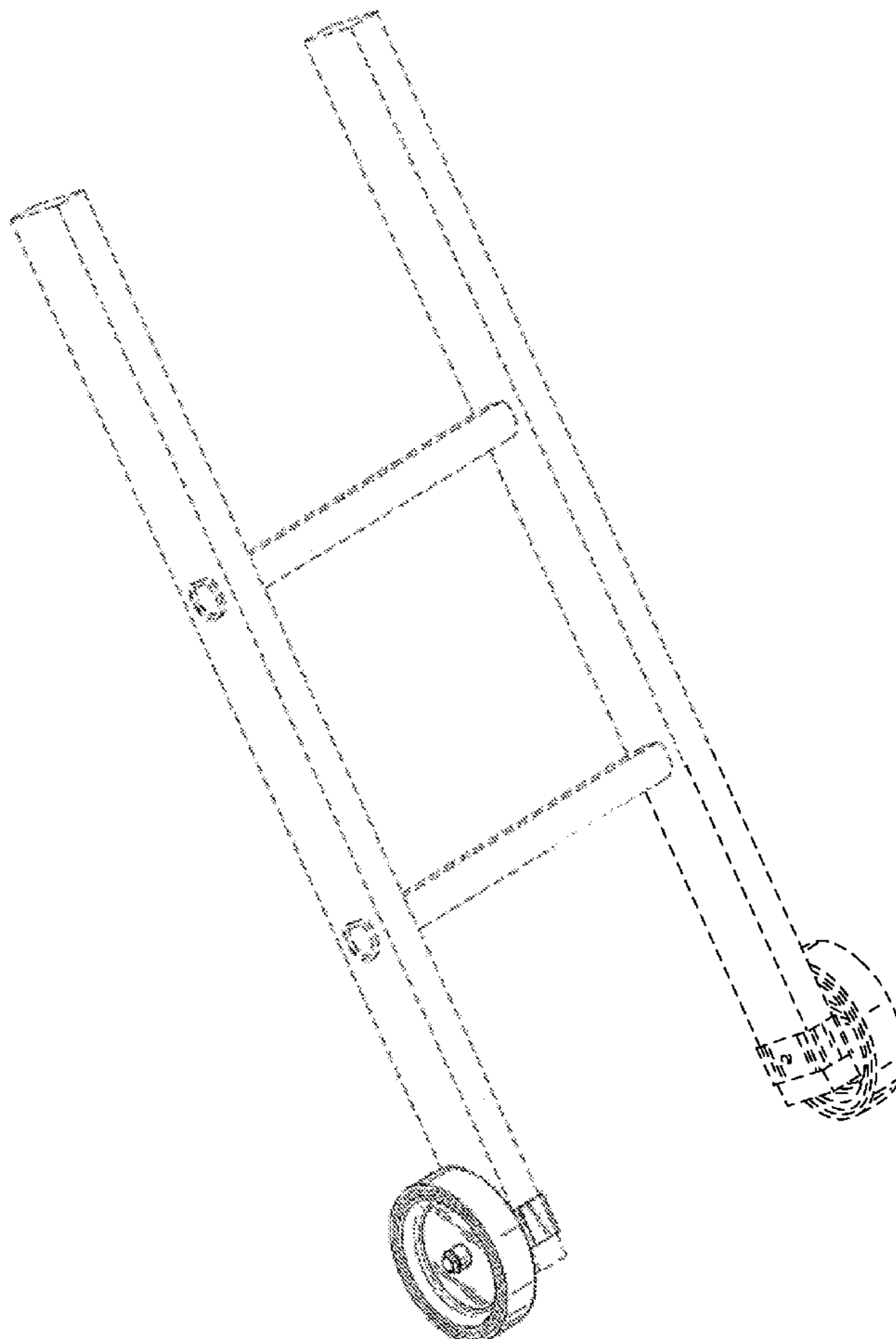
DESCRIPTION

FIG. 1 is a perspective view thereof,
FIG. 2 is a back side view thereof,
FIG. 3 is a front side view thereof,
FIG. 4 is a top side view thereof,
FIG. 5 is a left side view thereof; and,
FIG. 6 is a perspective view of a detachable ladder wheel
secured to a ladder.

The bottom side is symmetrical to the top side, and the right side is symmetrical to the left side.

The broken lines are for illustrative purposes only and form no part of the claimed design.

1 Claim, 3 Drawing Sheets



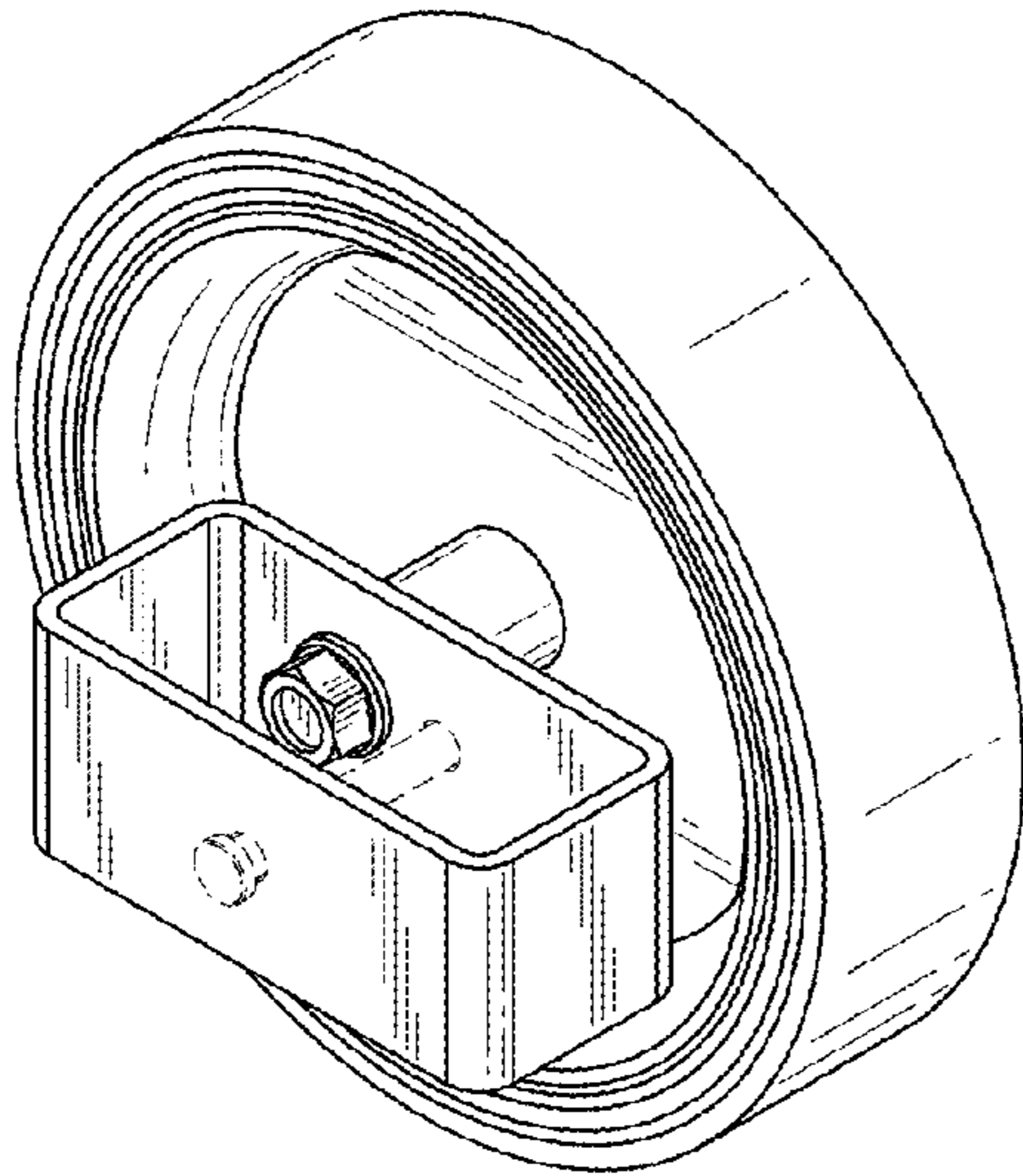


FIG. 1

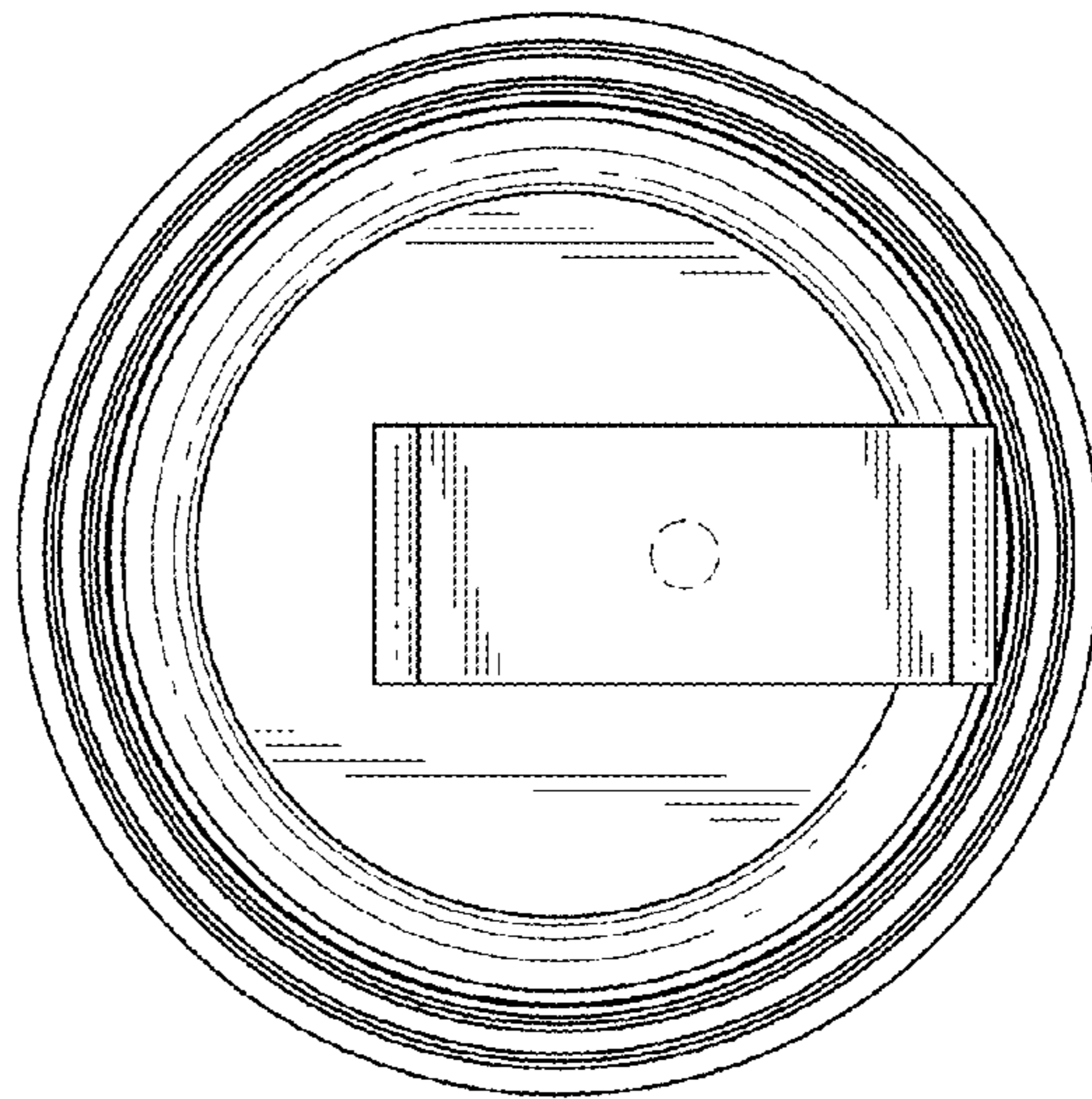


FIG. 2

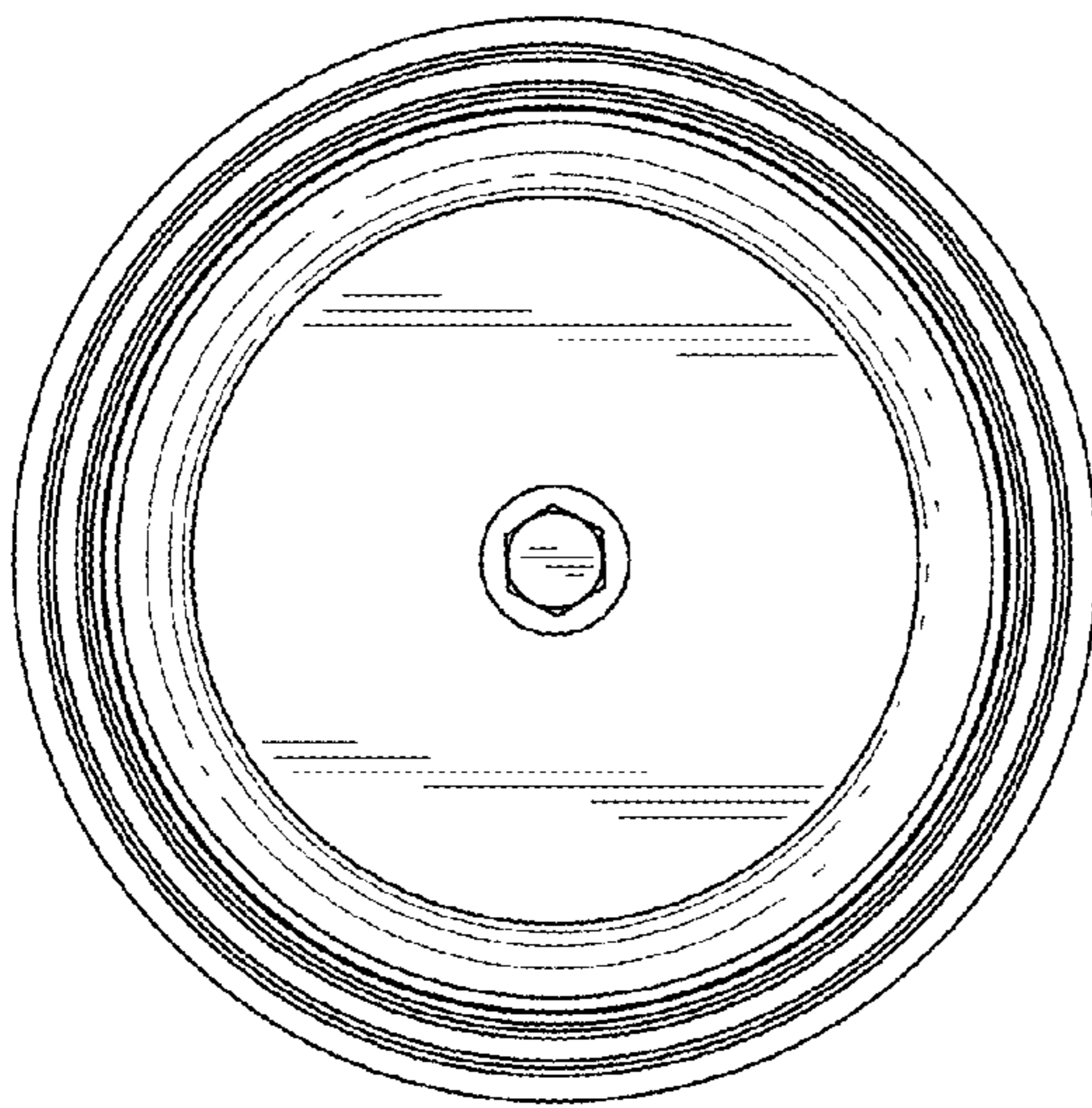


FIG. 3

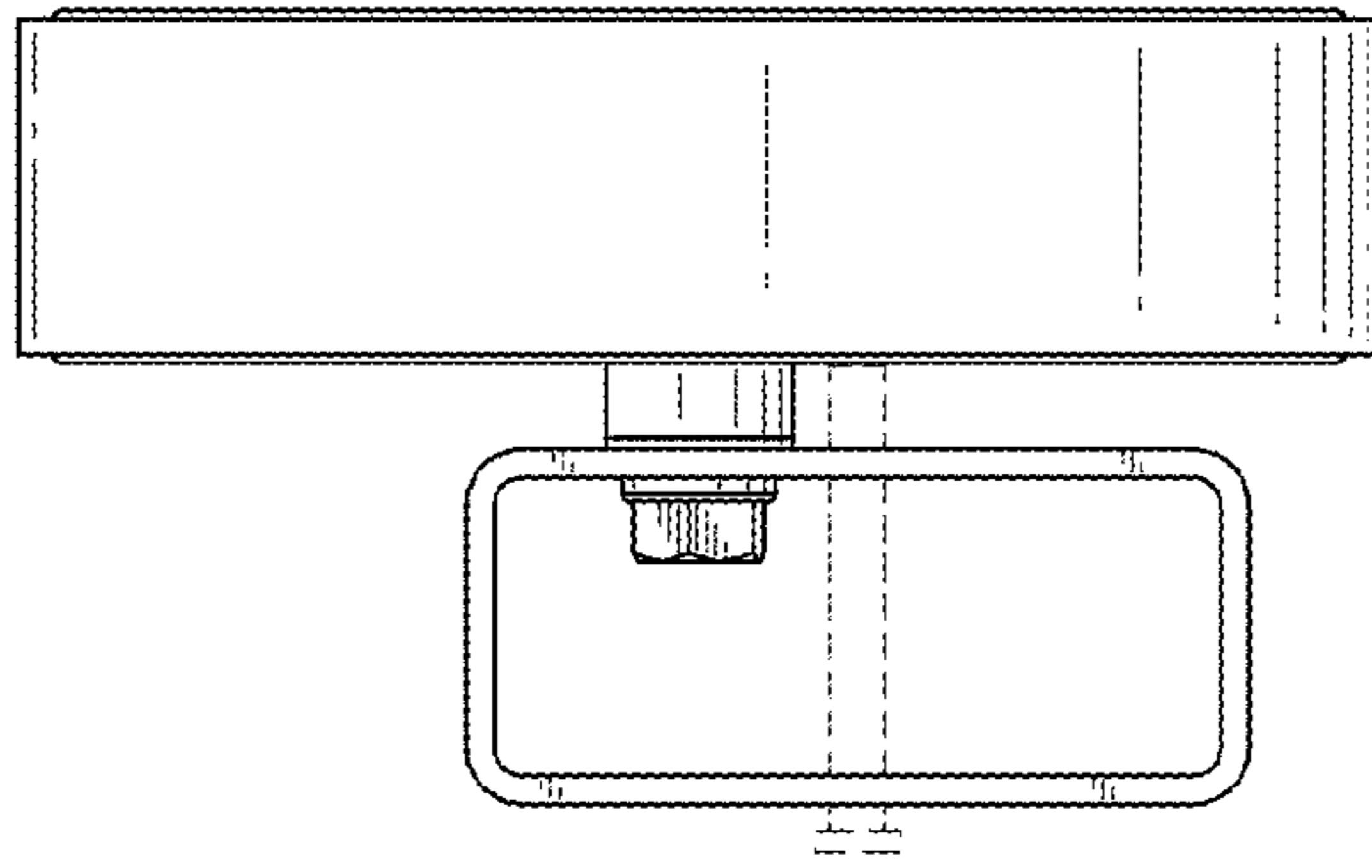


FIG. 4

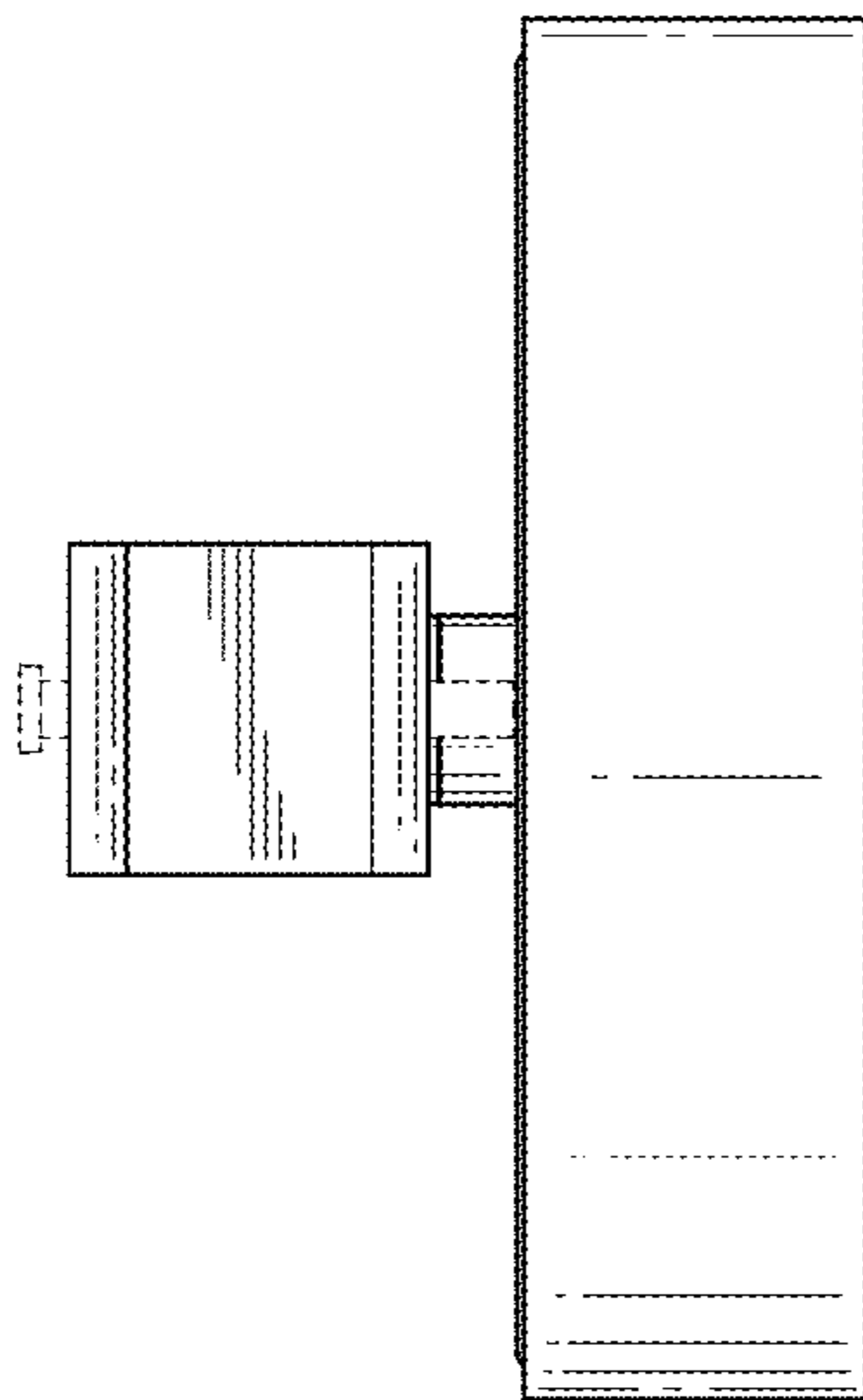


FIG. 5

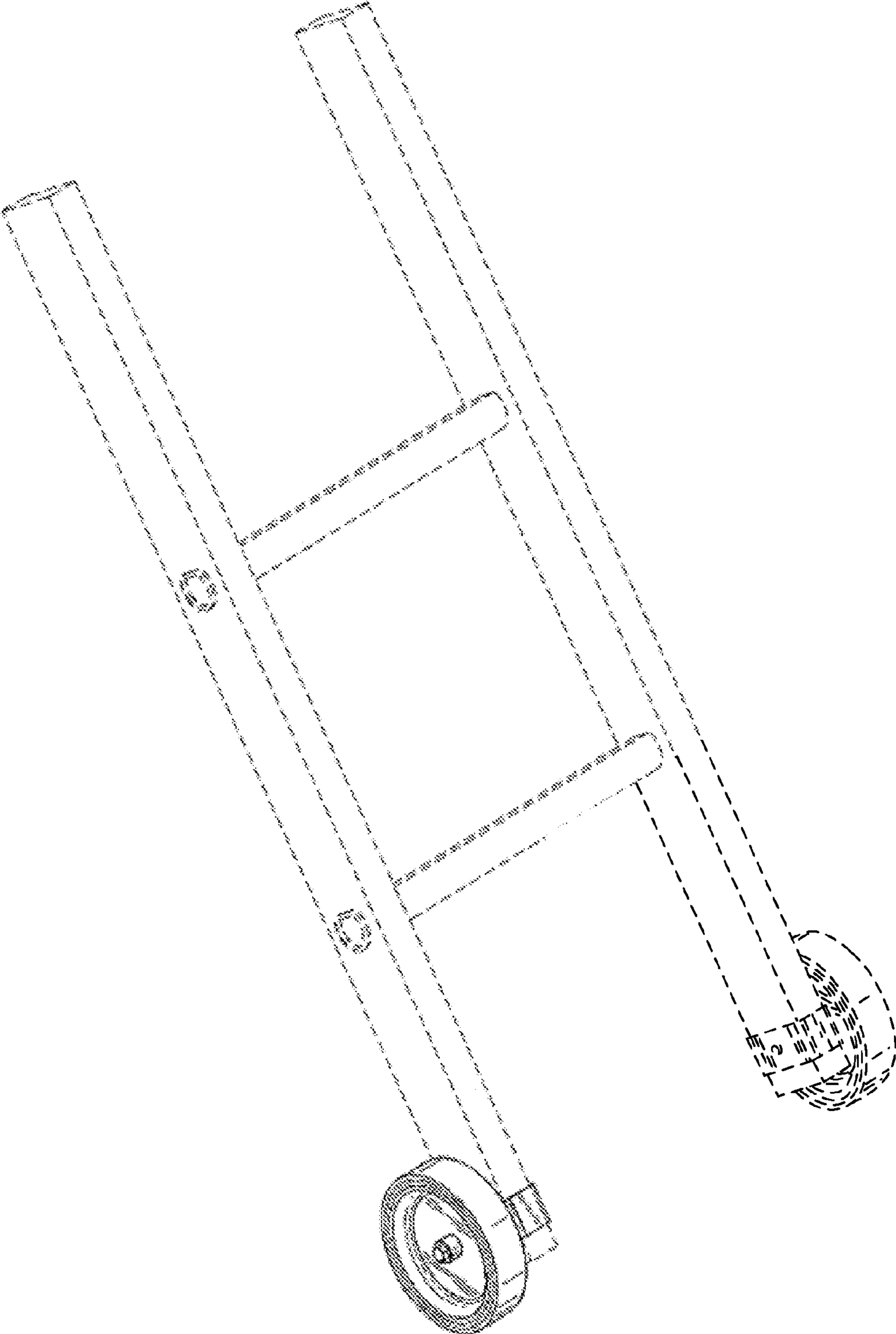


FIG. 6