

US00D690833S

(12) **United States Design Patent**
Edwards

(10) **Patent No.:** **US D690,833 S**

(45) **Date of Patent:** **** Oct. 1, 2013**

(54) **BOND BEAM AND BLOCK JOIST**

(56) **References Cited**

(71) Applicant: **Douglas Edwards**, Gainesville, TX (US)

U.S. PATENT DOCUMENTS

(72) Inventor: **Douglas Edwards**, Gainesville, TX (US)

D665,925	S	*	8/2012	Yoder et al.	D25/61
2009/0205285	A1	*	8/2009	Jendusa	52/650.3
2010/0031587	A1	*	2/2010	Weeks	52/126.6

(**) Term: **14 Years**

* cited by examiner

(21) Appl. No.: **29/442,161**

Primary Examiner — Doris Clark

(22) Filed: **Dec. 26, 2012**

(74) *Attorney, Agent, or Firm* — Geoffrey A. Mantooth

(51) **LOC (9) Cl.** **25-02**

(57) **CLAIM**

(52) **U.S. Cl.**

I claim the ornamental design for a bond beam and block joist, as shown and described.

USPC **D25/61**

DESCRIPTION

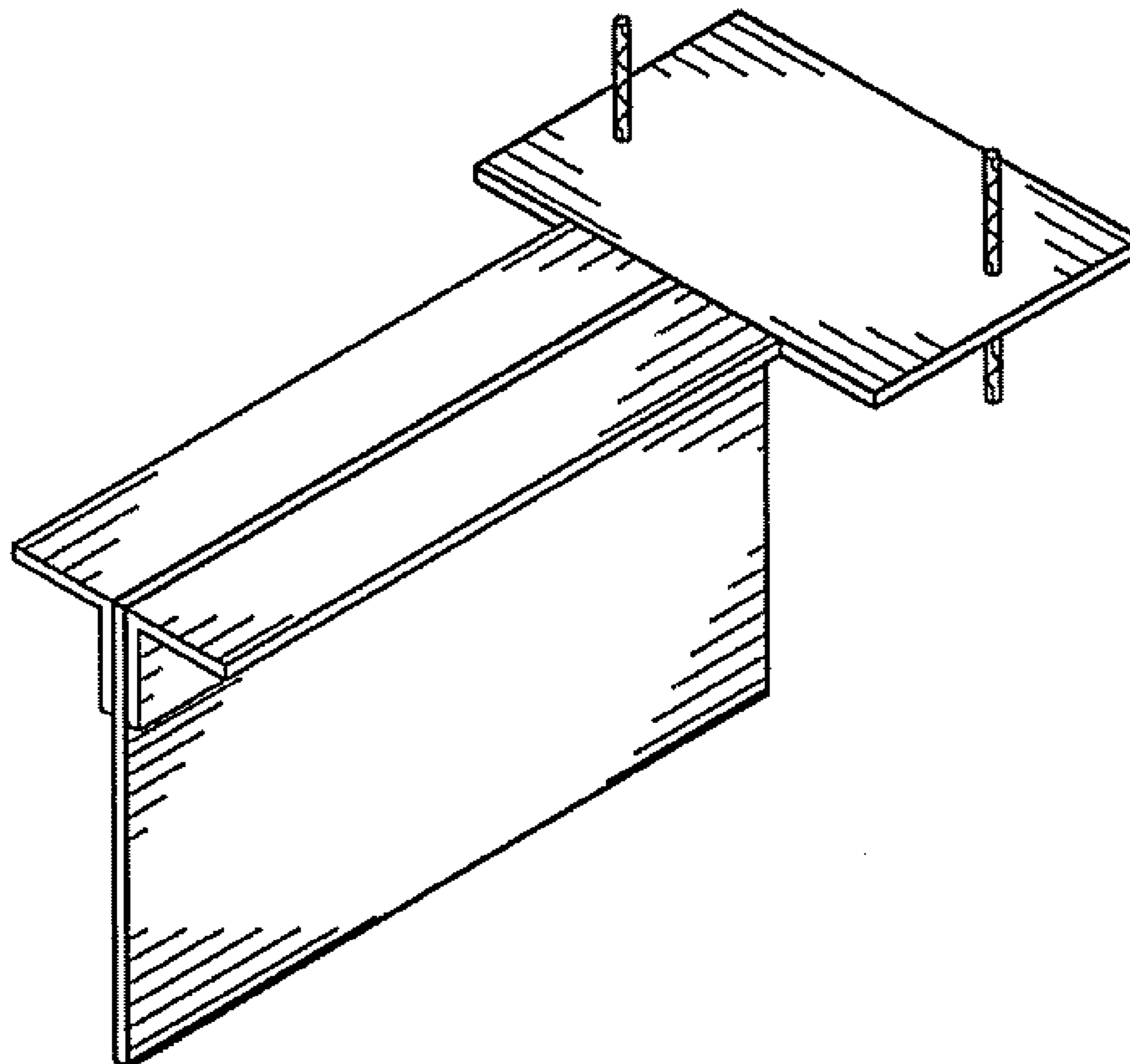
(58) **Field of Classification Search**

FIG. 1 is a perspective view of a bond beam and block joist showing my new design; and, FIG. 2 is an exploded perspective view thereof.

USPC D25/61; 52/650.1, 846, 836

See application file for complete search history.

1 Claim, 1 Drawing Sheet



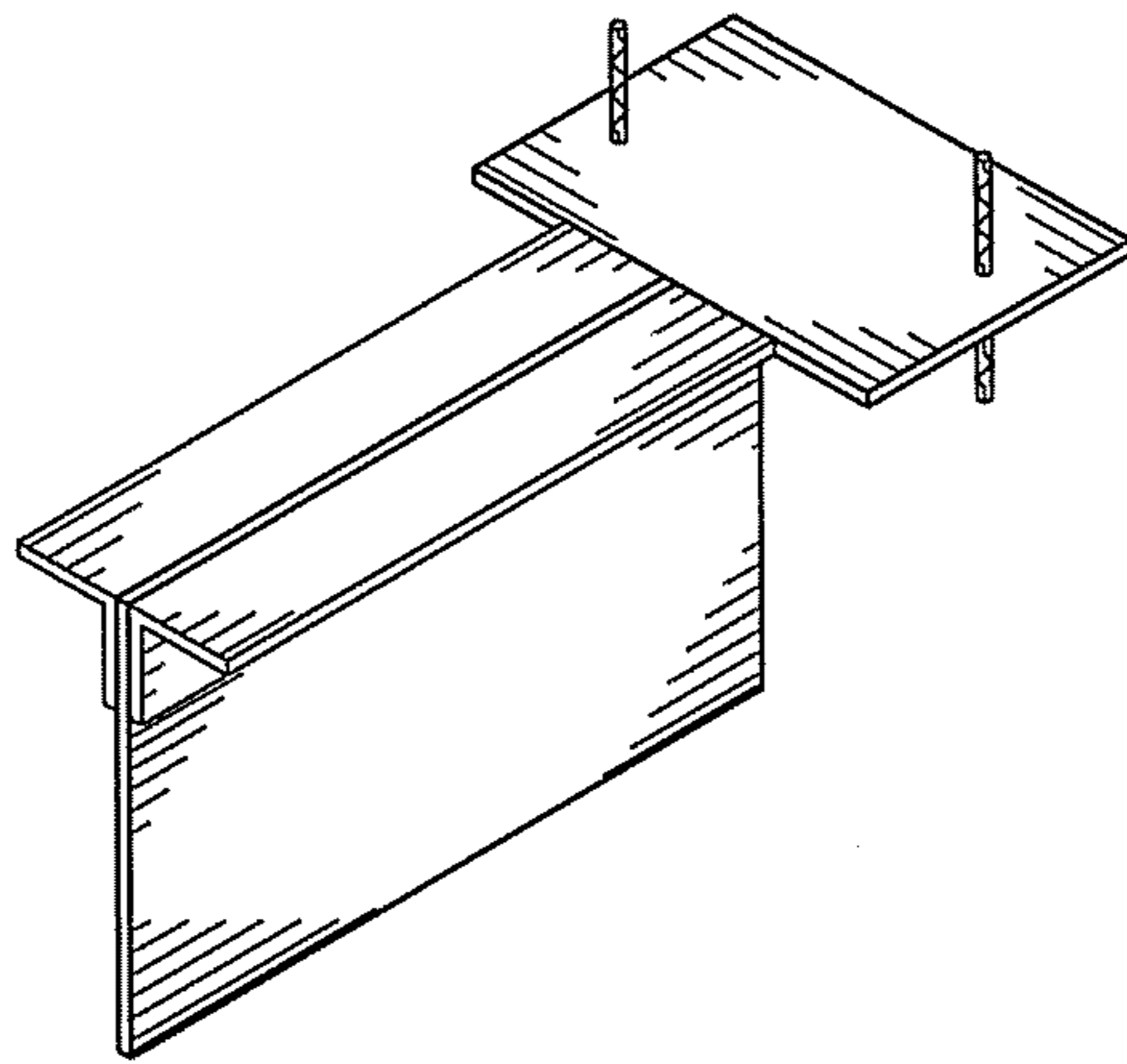


FIG. 1

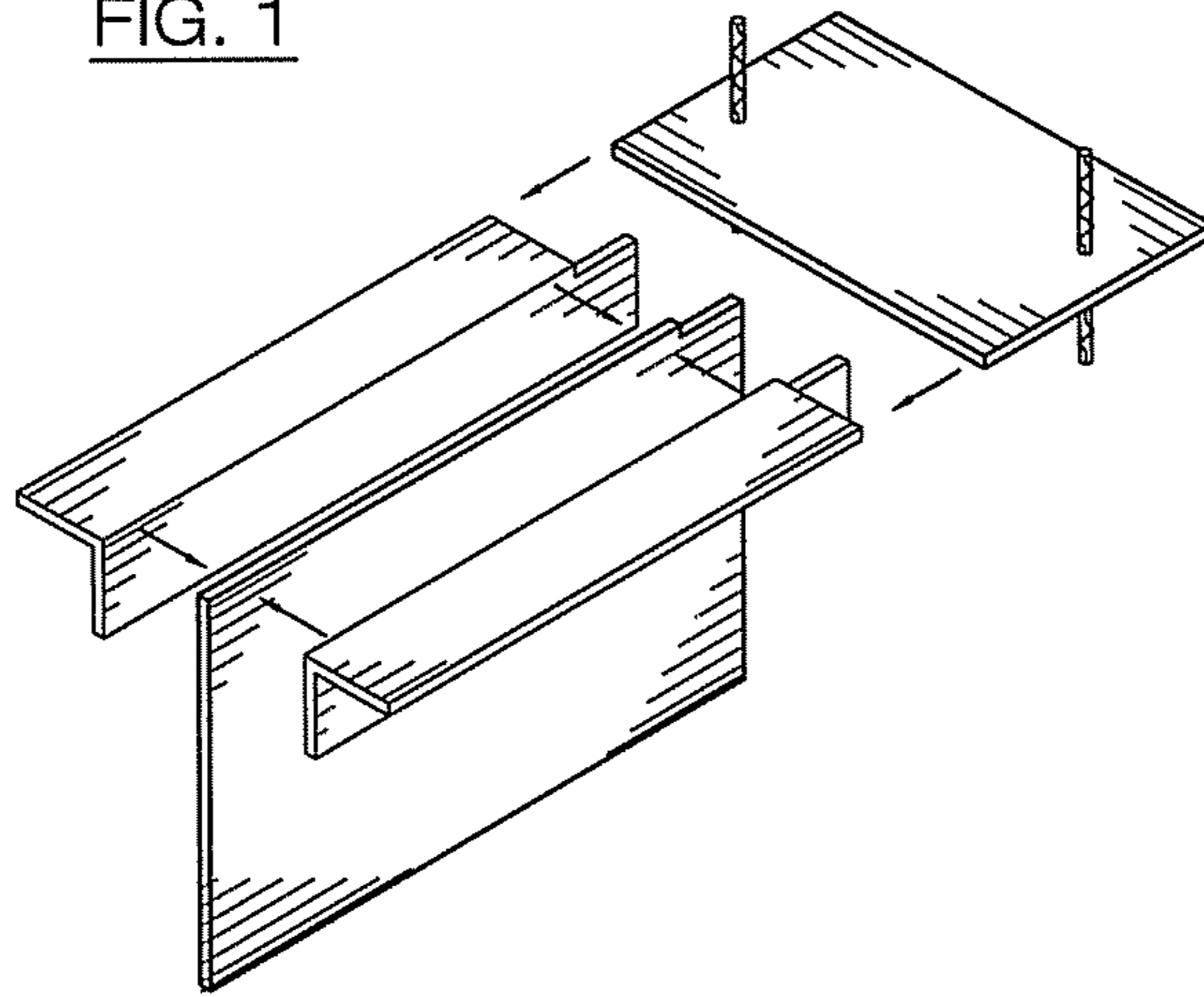


FIG. 2