

US00D690832S

(12) **United States Design Patent**
Johnson et al.

(10) **Patent No.:** **US D690,832 S**

(45) **Date of Patent:** **** Oct. 1, 2013**

(54) **OVERHEAD SOFFIT**

(75) Inventors: **Patrick Brian Johnson**, Atlanta, GA (US); **David Scott Heimbuch**, Decatur, GA (US)

(73) Assignee: **Six Continents Hotels, Inc.**, Atlanta, GA (US)

(**) Term: **14 Years**

(21) Appl. No.: **29/423,165**

(22) Filed: **May 29, 2012**

(51) **LOC (9) Cl.** **25-02**

(52) **U.S. Cl.**
USPC **D25/55; D25/121**

(58) **Field of Classification Search**
USPC 25/55, 121; 52/91.3, 94, 92.3, 96
See application file for complete search history.

(56) **References Cited**

U.S. PATENT DOCUMENTS

3,415,019	A *	12/1968	Andersen	52/94
D274,946	S *	7/1984	Esty	D25/121
5,946,864	A *	9/1999	Simpson	52/94
D486,921	S *	2/2004	Zyburt	D25/119
D561,915	S *	2/2008	Sigmund	D25/55
2002/0124484	A1 *	9/2002	Martin	52/94

Primary Examiner — Doris Clark

(74) *Attorney, Agent, or Firm* — Kilpatrick Townsend & Stockton LLP

(57) **CLAIM**

The ornamental design for overhead soffit, as shown and described.

DESCRIPTION

FIG. 1 is a perspective view of a first embodiment of an overhead soffit showing our new design; FIG. 2 is a left side elevational view thereof; FIG. 3 is a right side elevational view thereof; FIG. 4 is a front side elevational view thereof; FIG. 5 is a rear side elevational view thereof; FIG. 6 is a bottom plan view thereof; FIG. 7 is a perspective view of a second embodiment of an overhead soffit showing our new design; FIG. 8 is a left elevational view thereof; FIG. 9 is a right elevational view thereof; FIG. 10 is a front side plan view thereof; FIG. 11 is a rear plan view thereof; and, FIG. 12 is a bottom plan view thereof.

The broken line showing is for illustrative purposes only and forms no part of the claimed design.

1 Claim, 7 Drawing Sheets

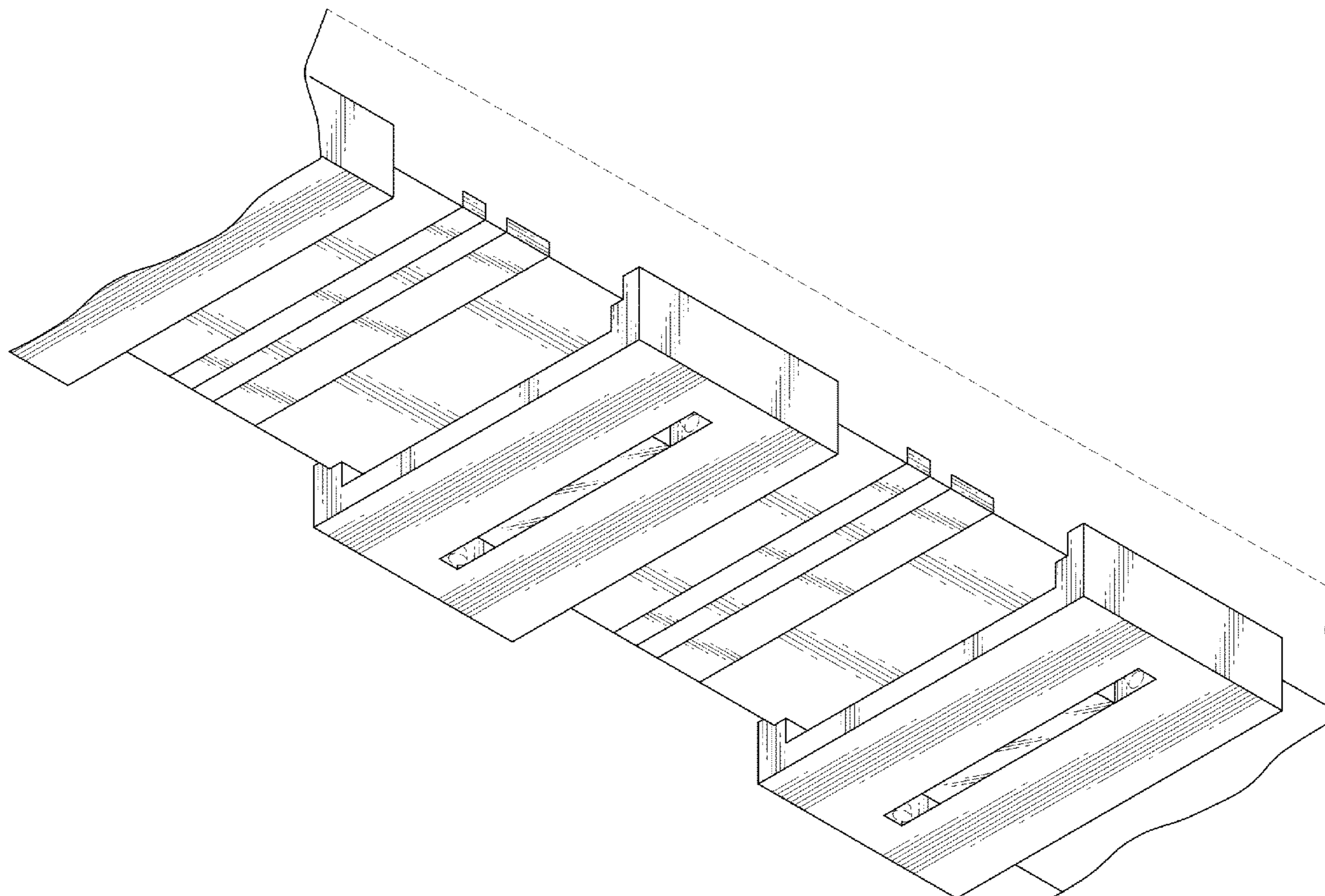


FIG. 1

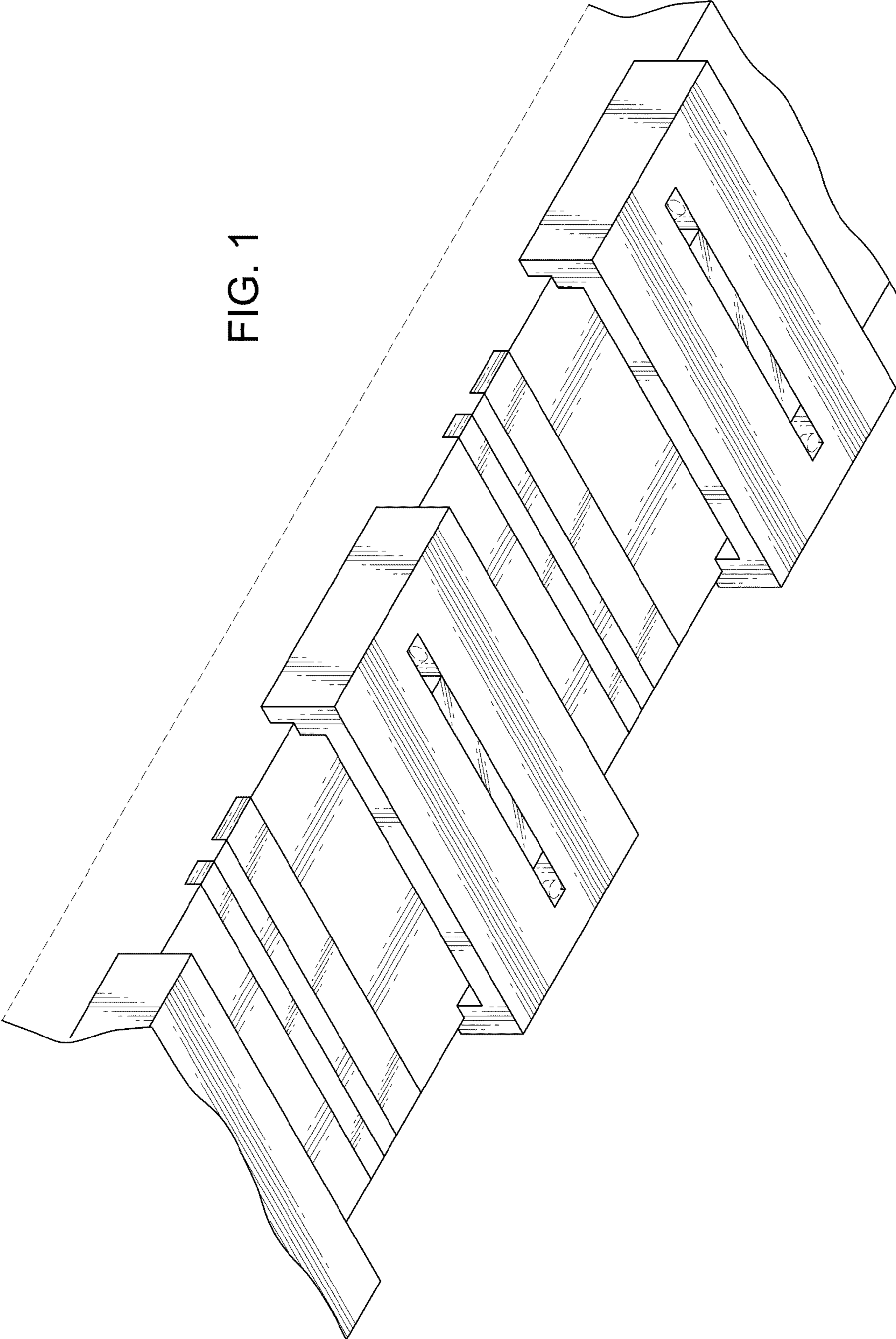


FIG. 2

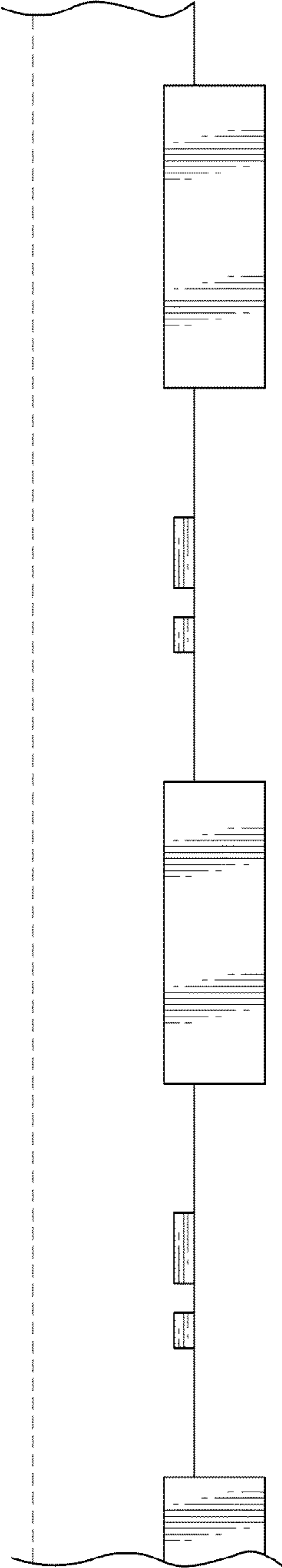


FIG. 3

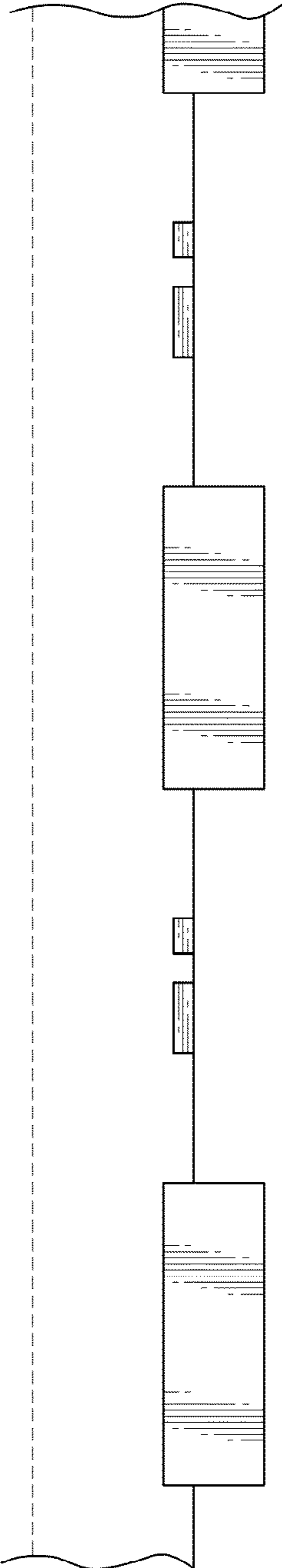


FIG. 4

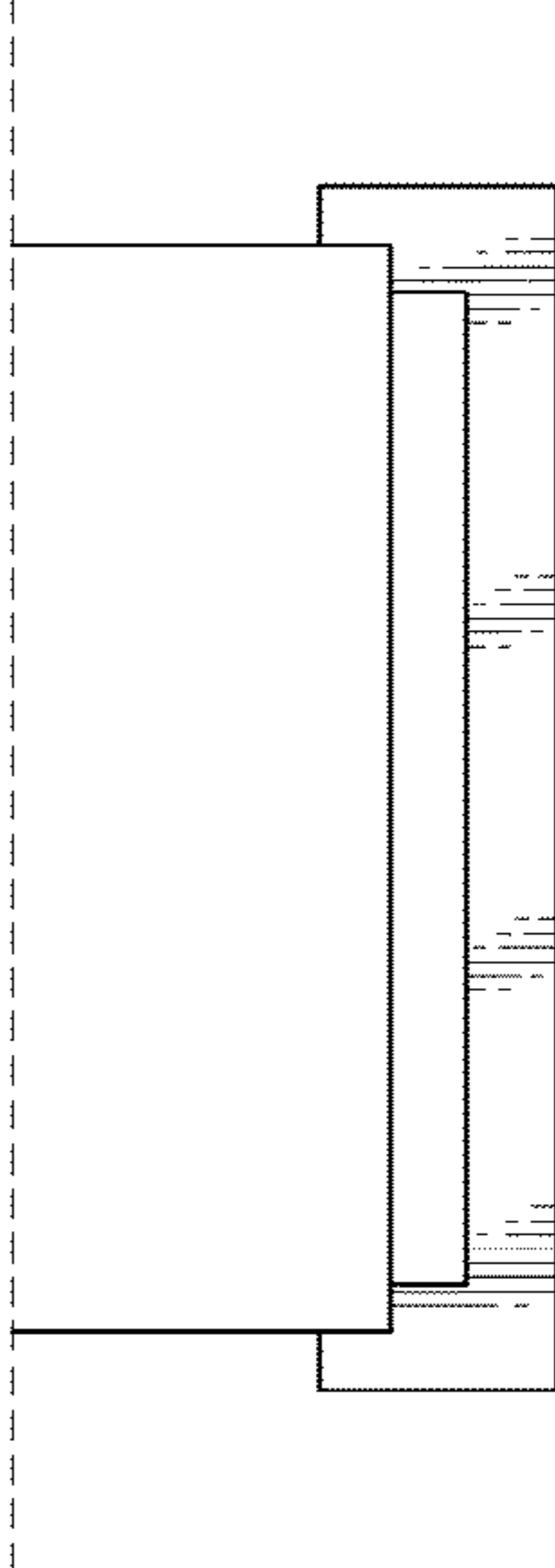
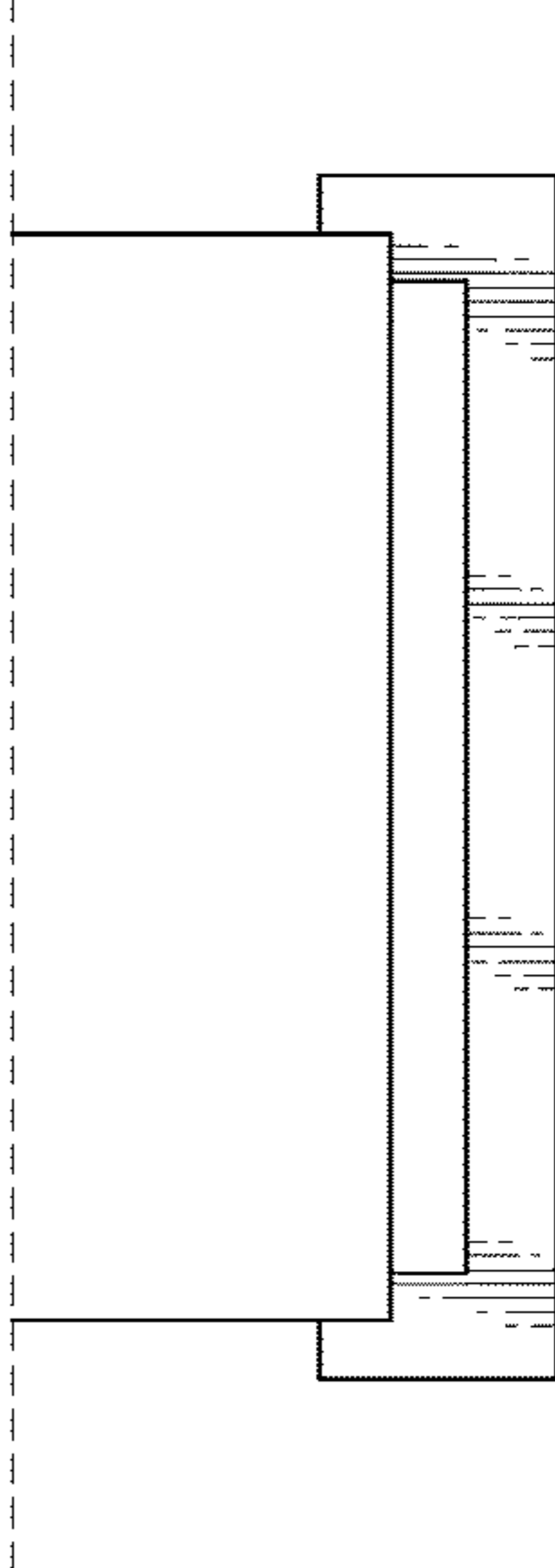


FIG. 5



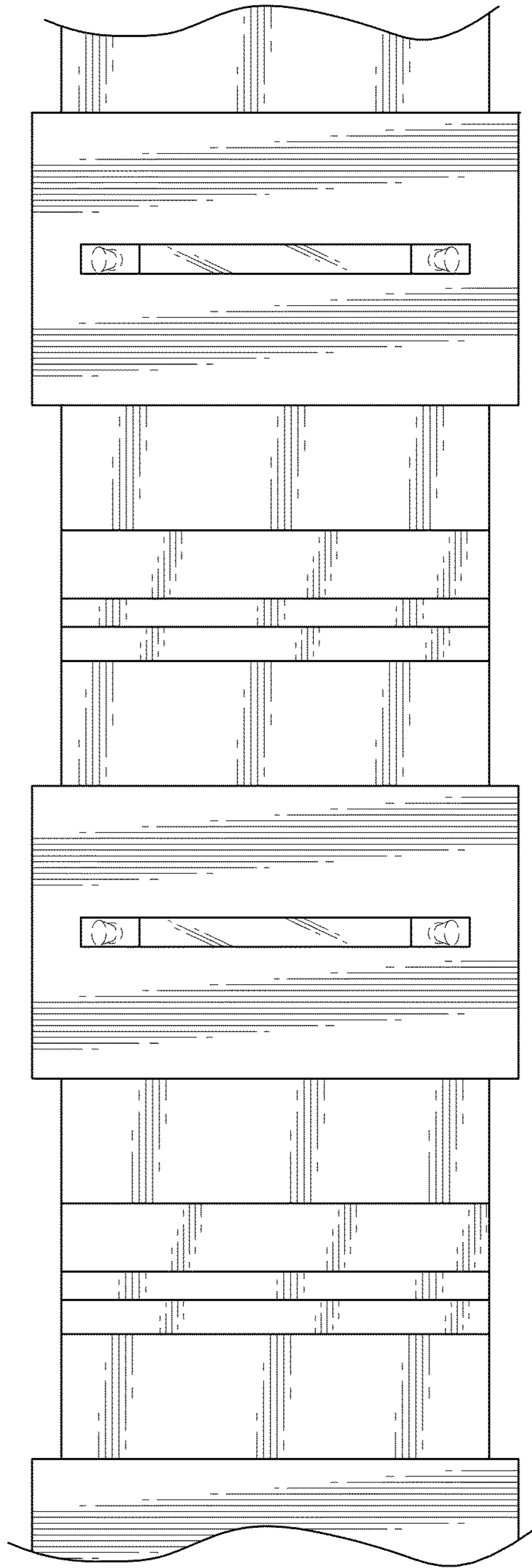


FIG. 6

FIG. 7

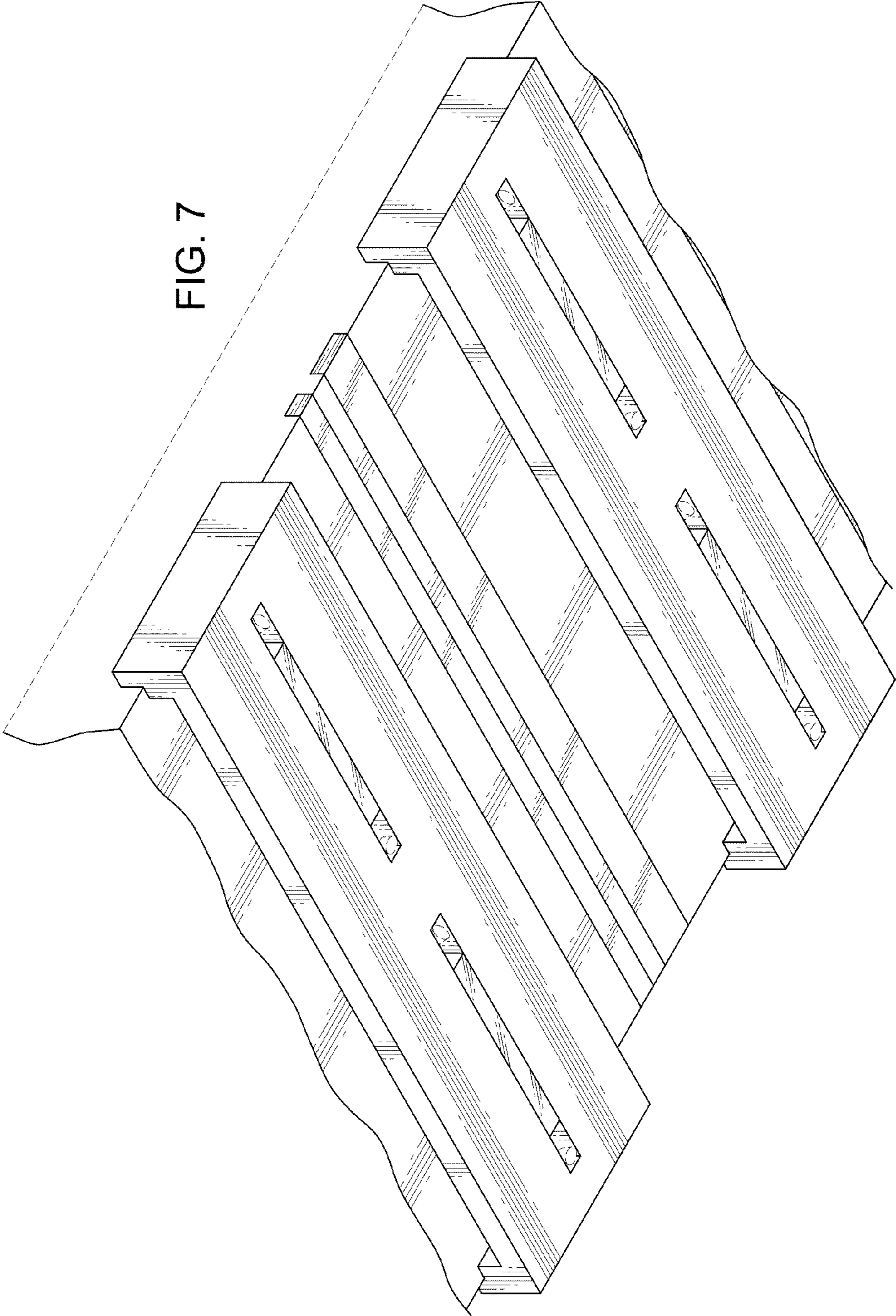


FIG. 8

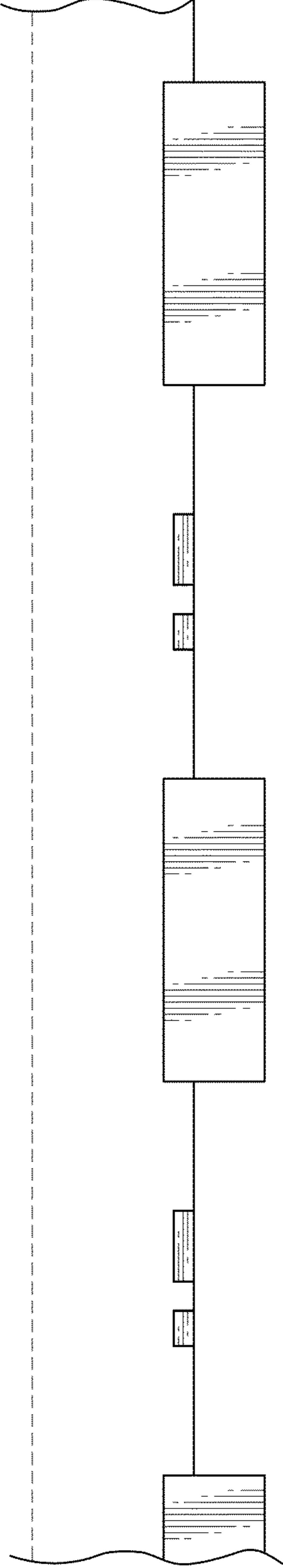


FIG. 9

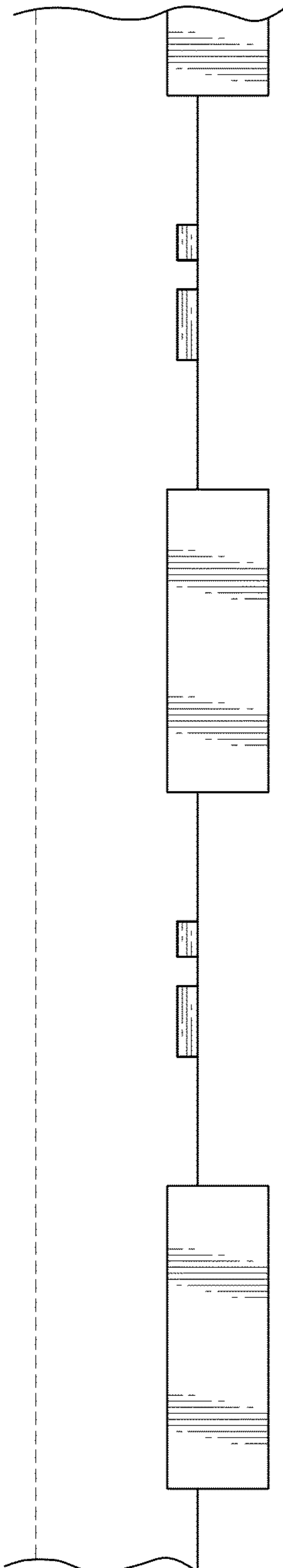


FIG. 10

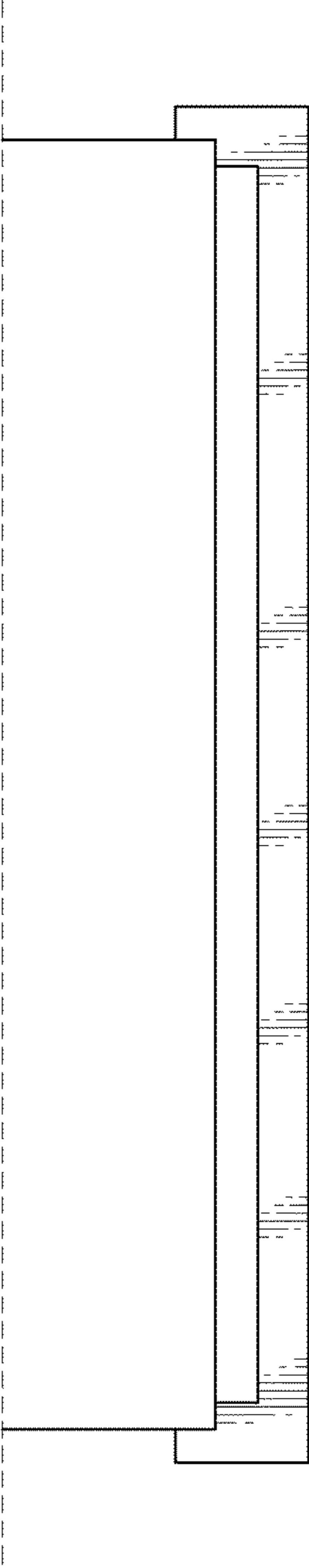
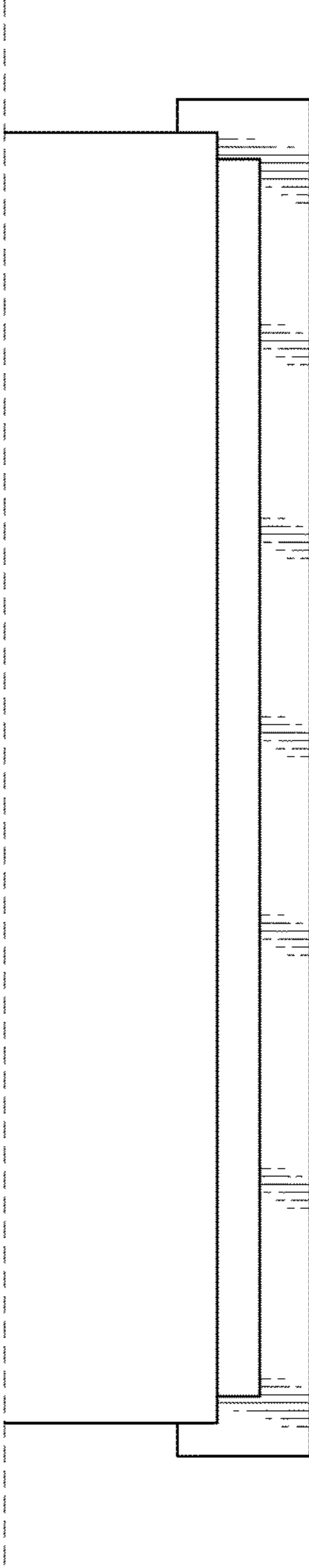


FIG. 11



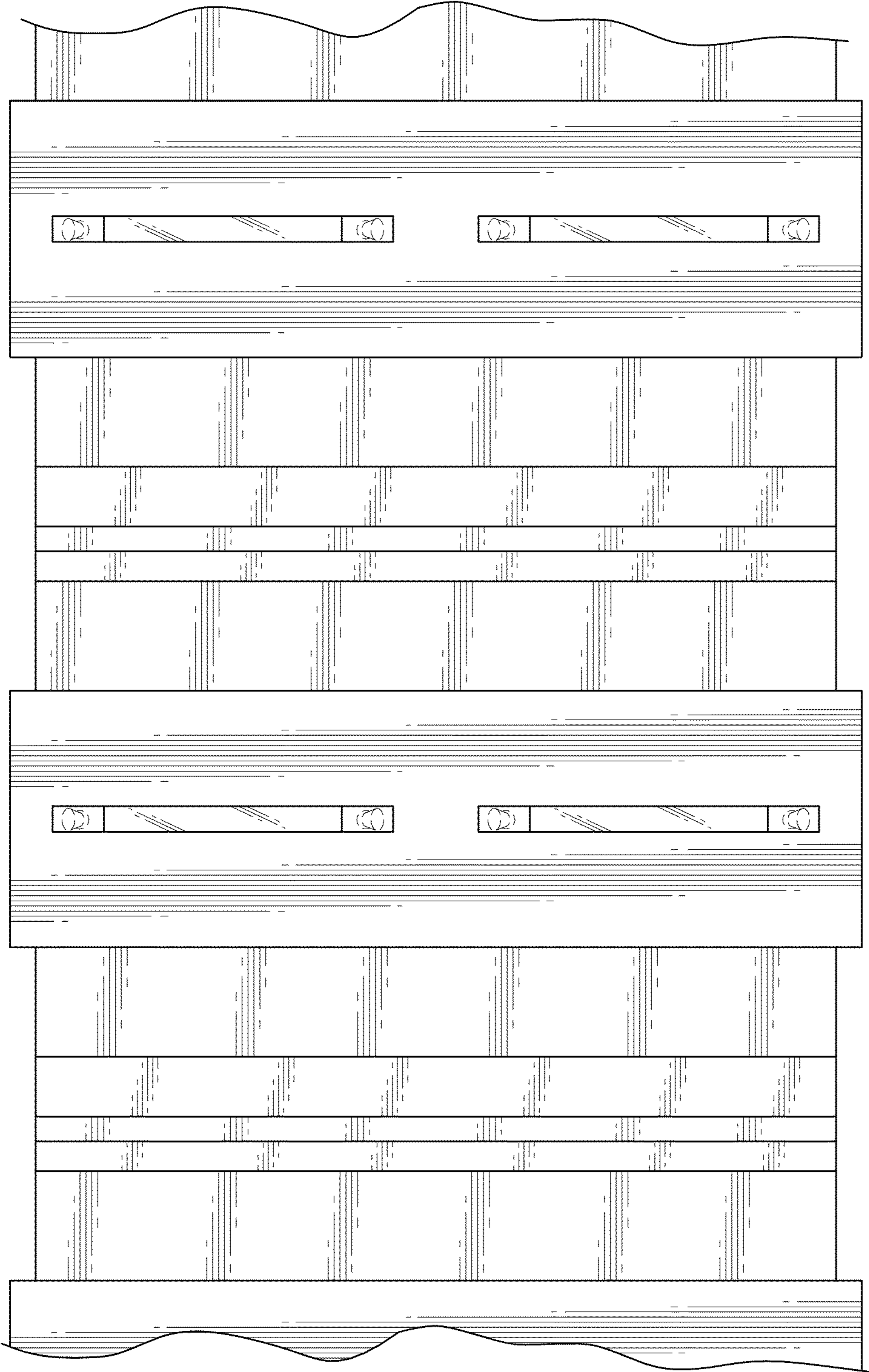


FIG. 12