



US00D690828S

(12) **United States Design Patent**  
**Yoon et al.**

(10) **Patent No.:** **US D690,828 S**  
(45) **Date of Patent:** **\*\* Oct. 1, 2013**

(54) **CULTURE MEDIA DEVICE**

(56) **References Cited**

(71) Applicant: **iNtRON Biotechnology, Inc.**,  
Kyungki-Do (KR)  
(72) Inventors: **Seongjun Yoon**, Seoul (KR); **Sanghyeon Kang**, Seoul (KR); **Jaegoo Seol**,  
Kyungki-Do (KR)  
(73) Assignee: **iNtRON Biotechnology, Inc.**,  
Kyungki-Do (KR)

U.S. PATENT DOCUMENTS

D258,761	S	*	3/1981	Graham	.....	D24/226
D290,042	S	*	5/1987	Ford	.....	D24/225
D308,722	S	*	6/1990	Chang et al.	.....	D24/223
D342,321	S	*	12/1993	Bresle	.....	D24/224
D349,773	S	*	8/1994	Malin et al.	.....	D24/224
D377,984	S	*	2/1997	Lahm et al.	.....	D24/224
5,601,998	A	*	2/1997	Mach et al.	.....	435/34
D384,164	S	*	9/1997	Leiva et al.	.....	D24/224
D404,497	S	*	1/1999	Lahm et al.	.....	D24/224
D473,318	S	*	4/2003	Barbera-Guillem	.....	D24/225
6,632,661	B2	*	10/2003	Wickert	.....	435/305.4

(\*\*) Term: **14 Years**

\* cited by examiner

(21) Appl. No.: **29/432,515**

*Primary Examiner* — Anhdao Doan

(22) Filed: **Sep. 17, 2012**

(74) *Attorney, Agent, or Firm* — Meunier Carlin & Curfman, LLC

(51) **LOC (9) Cl.** ..... **24-01**

(57) **CLAIM**

The ornamental design for a culture media device, as shown and described.

(52) **U.S. Cl.**  
USPC ..... **D24/224**

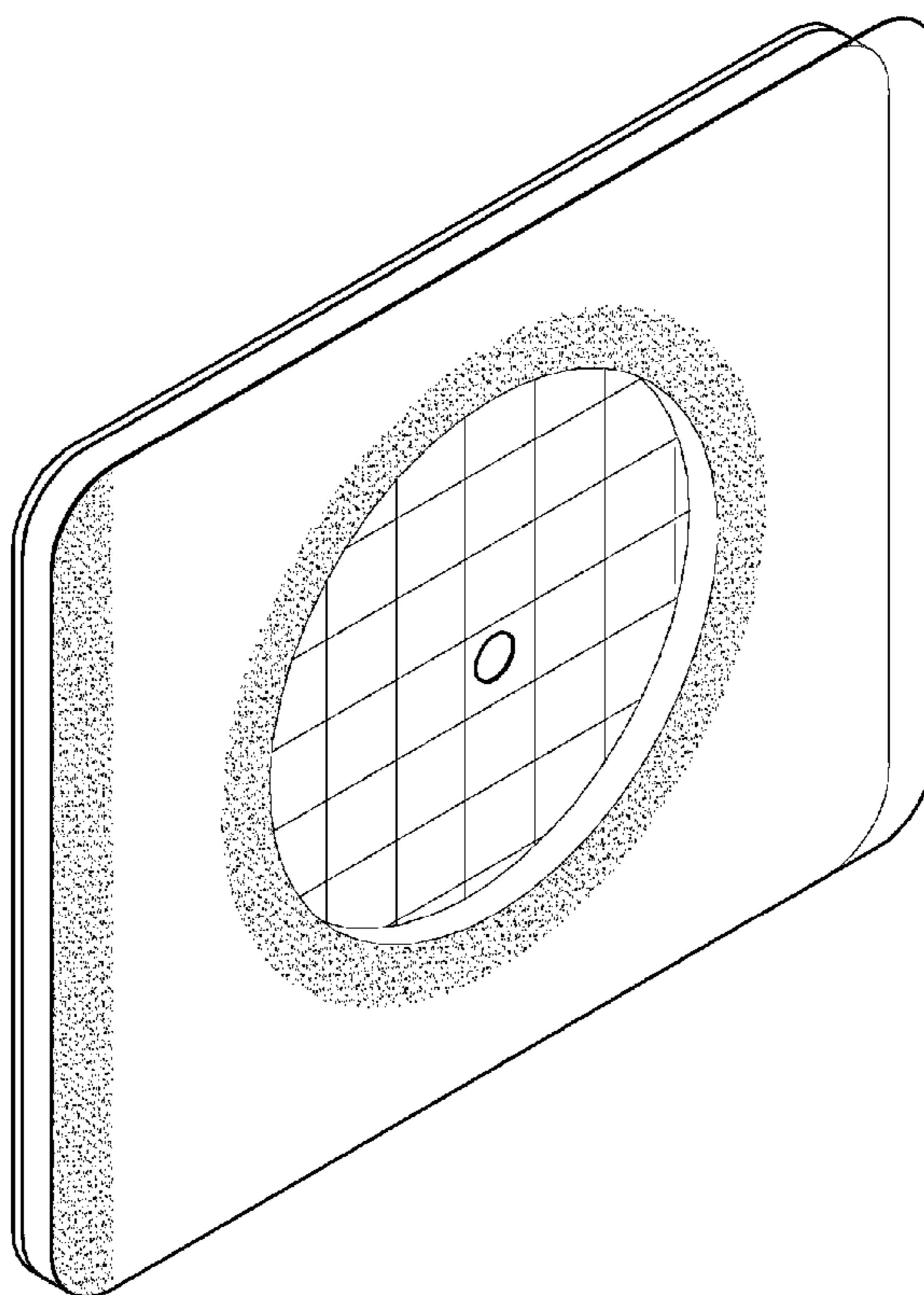
**DESCRIPTION**

(58) **Field of Classification Search**  
USPC ..... D24/216, 223, 224, 225, 226, 227,  
D24/231, 232, 233, 107, 169, 186; D10/81;  
422/62-65, 67, 500, 547, 551, 552, 554,  
422/68.1; 436/43, 45, 47; 435/287.1, 287.3,  
435/288.2, 288.4, 288.5, 305.1, 305.2, 29,  
435/30, 288.3, 305.4, 307.1; 73/64.56, 864.91,  
73/865.9

FIG. 1 is a perspective view of a culture media device showing the new design;  
FIG. 2 is a front elevation view thereof;  
FIG. 3 is a rear elevation view thereof;  
FIG. 4 is a left-side elevation view thereof;  
FIG. 5 is a right-side elevation view thereof;  
FIG. 6 is a top plan view thereof; and,  
FIG. 7 is a bottom plan view thereof.

See application file for complete search history.

**1 Claim, 6 Drawing Sheets**



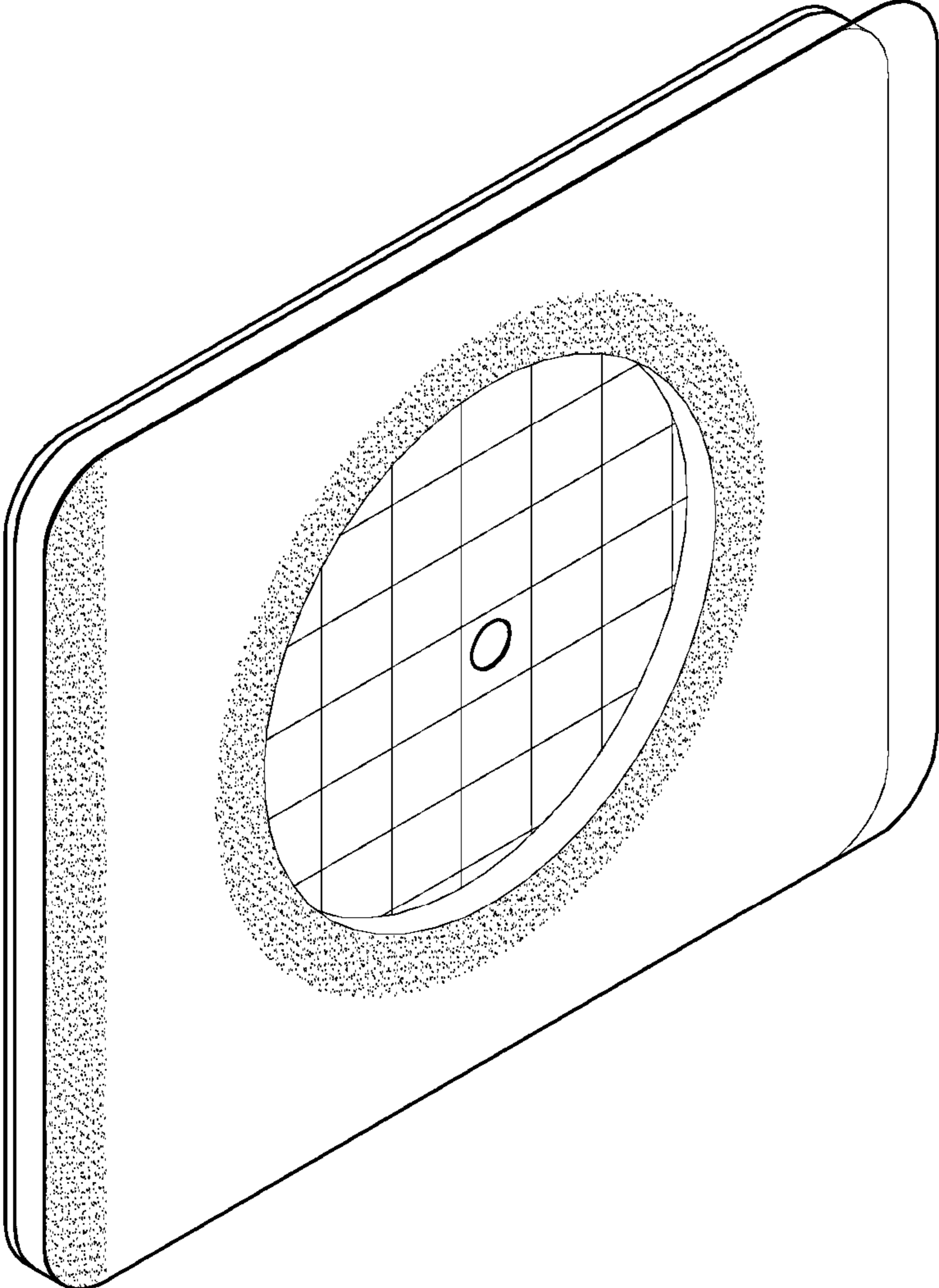


FIG. 1

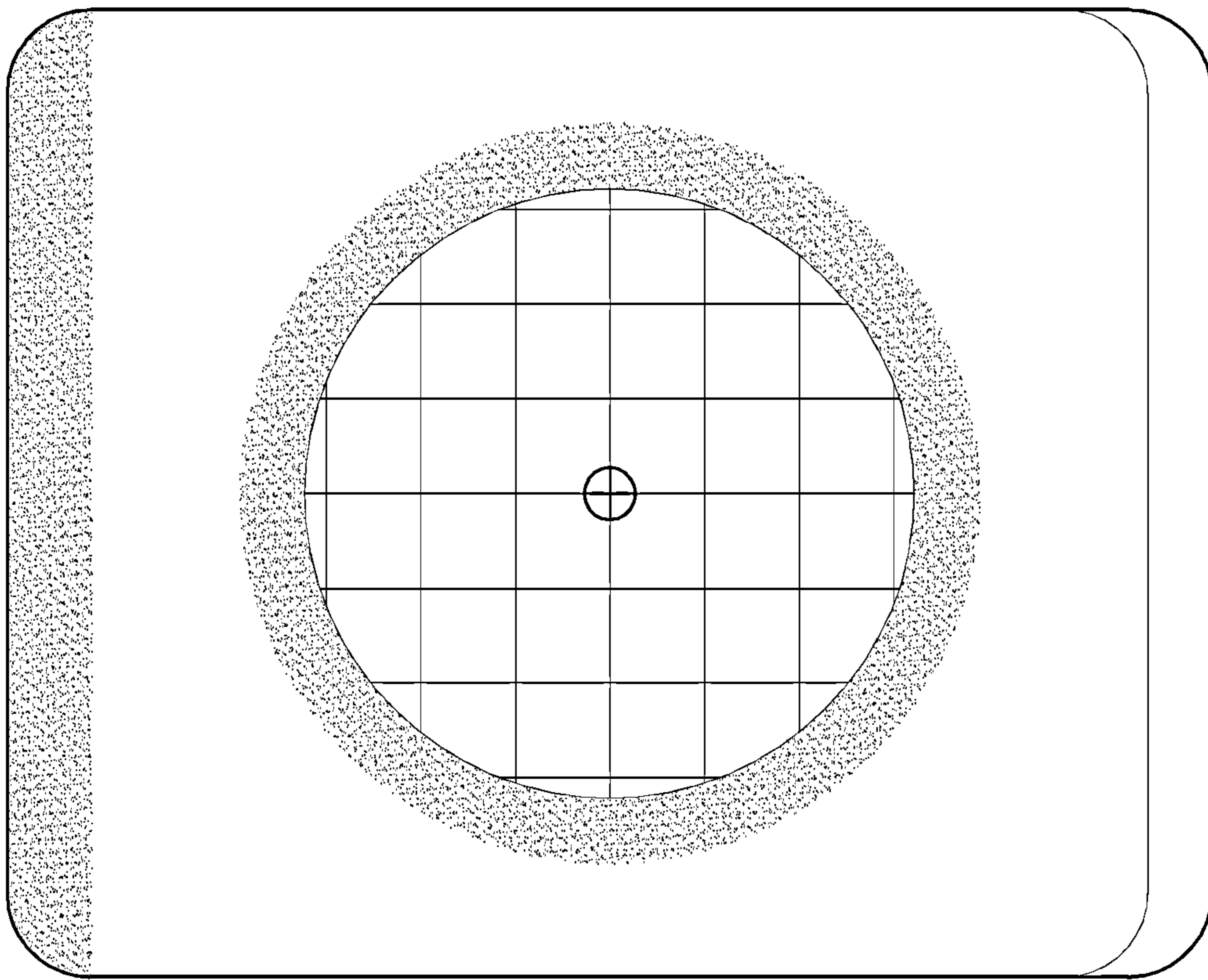
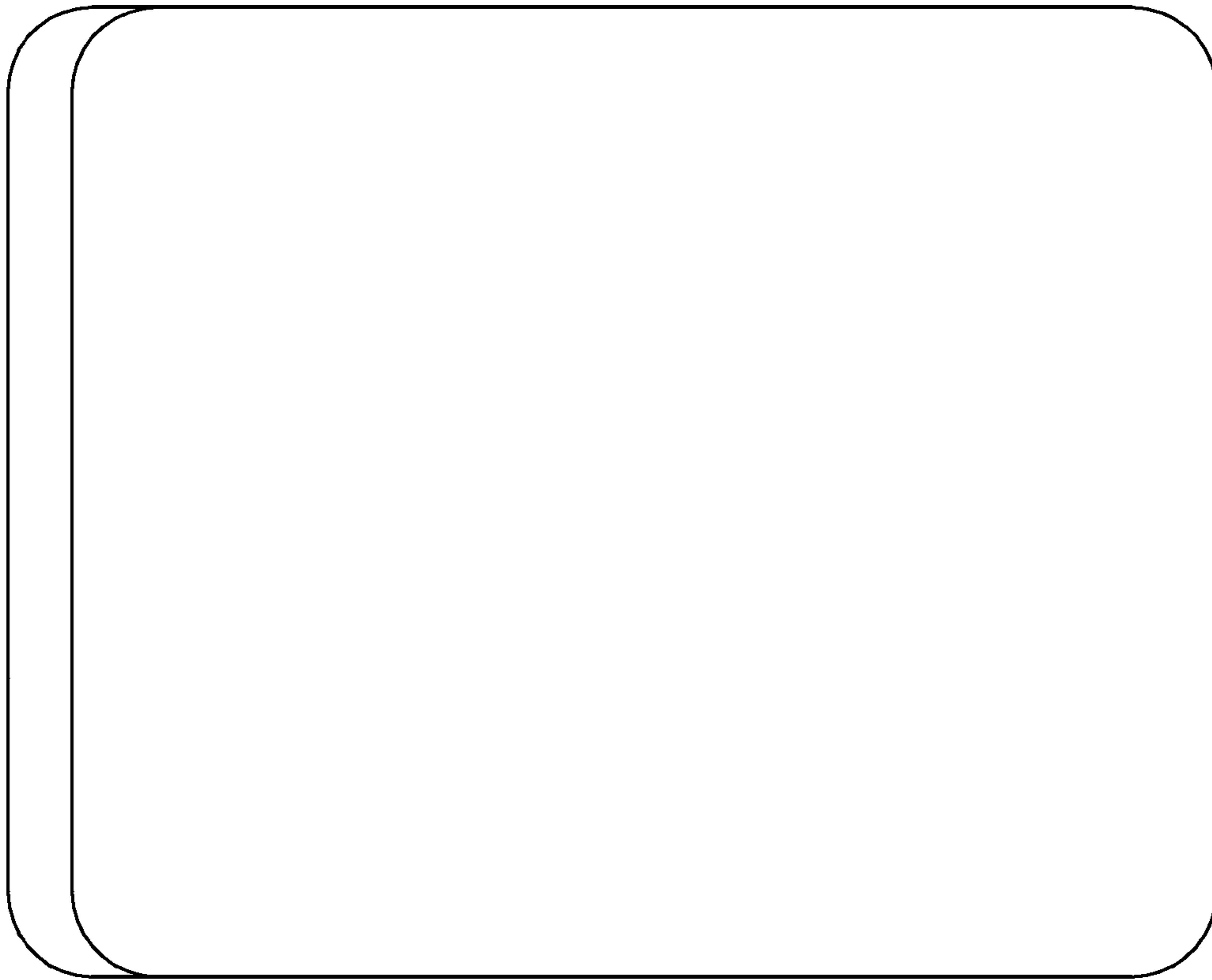


FIG. 2



**FIG. 3**



**FIG. 4**



**FIG. 5**

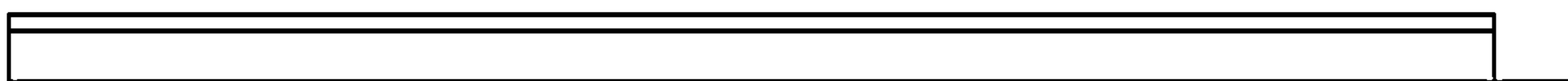


FIG. 6

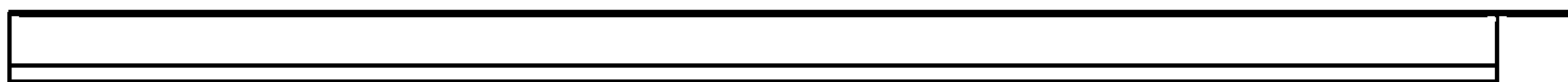


FIG. 7