

US00D690827S

(12) **United States Design Patent**  
**Curry et al.**

(10) **Patent No.:** **US D690,827 S**

(45) **Date of Patent:** **\*\* Oct. 1, 2013**

(54) **CAP PORTION OF A VIAL**

(56) **References Cited**

(75) Inventors: **Adam C. Curry**, Raleigh, NC (US);  
**Jeffrey S. Krause**, Monkton, MD (US);  
**Melody M. H. Kuroda**, Durham, NC  
(US); **Dwight Livingston**, Fallston, MD  
(US); **Michael Justin Lizzi**,  
Stewartstown, PA (US); **Artis R.**  
**Lockhart**, Durham, NC (US); **Ernie**  
**Ritchey**, Middle River, MD (US);  
**Michael L. Marshall**, Lewis Center, OH  
(US); **M. Scott Ulrich**, Columbus, OH  
(US)

U.S. PATENT DOCUMENTS

3,958,944	A *	5/1976	Wong	422/72
D357,985	S *	5/1995	Burns	D24/224
D385,793	S *	11/1997	Marsal	D9/503
5,948,364	A *	9/1999	Niermann et al.	422/568
6,156,199	A *	12/2000	Zuk, Jr.	210/321.84
D445,908	S *	7/2001	Conway	D24/224
D447,812	S *	9/2001	Conway	D24/224
D457,247	S *	5/2002	Iheme et al.	D24/224
D600,579	S *	9/2009	Wounder	D10/81
D621,522	S *	8/2010	Wilkinson	D24/224
D640,797	S *	6/2011	Wilkinson	D24/224
8,057,762	B2 *	11/2011	Kacian et al.	422/570

\* cited by examiner

*Primary Examiner* — Anhdao Doan

(73) Assignee: **Becton Dickinson and Company**,  
Franklin Lakes, NJ (US)

(74) *Attorney, Agent, or Firm* — Alston & Bird LLP

(\*\*) Term: **14 Years**

(57) **CLAIM**

The ornamental design for a cap portion of a vial, as shown and described

(21) Appl. No.: **29/418,183**

**DESCRIPTION**

(22) Filed: **Apr. 12, 2012**

(51) **LOC (9) Cl.** ..... **24-01**

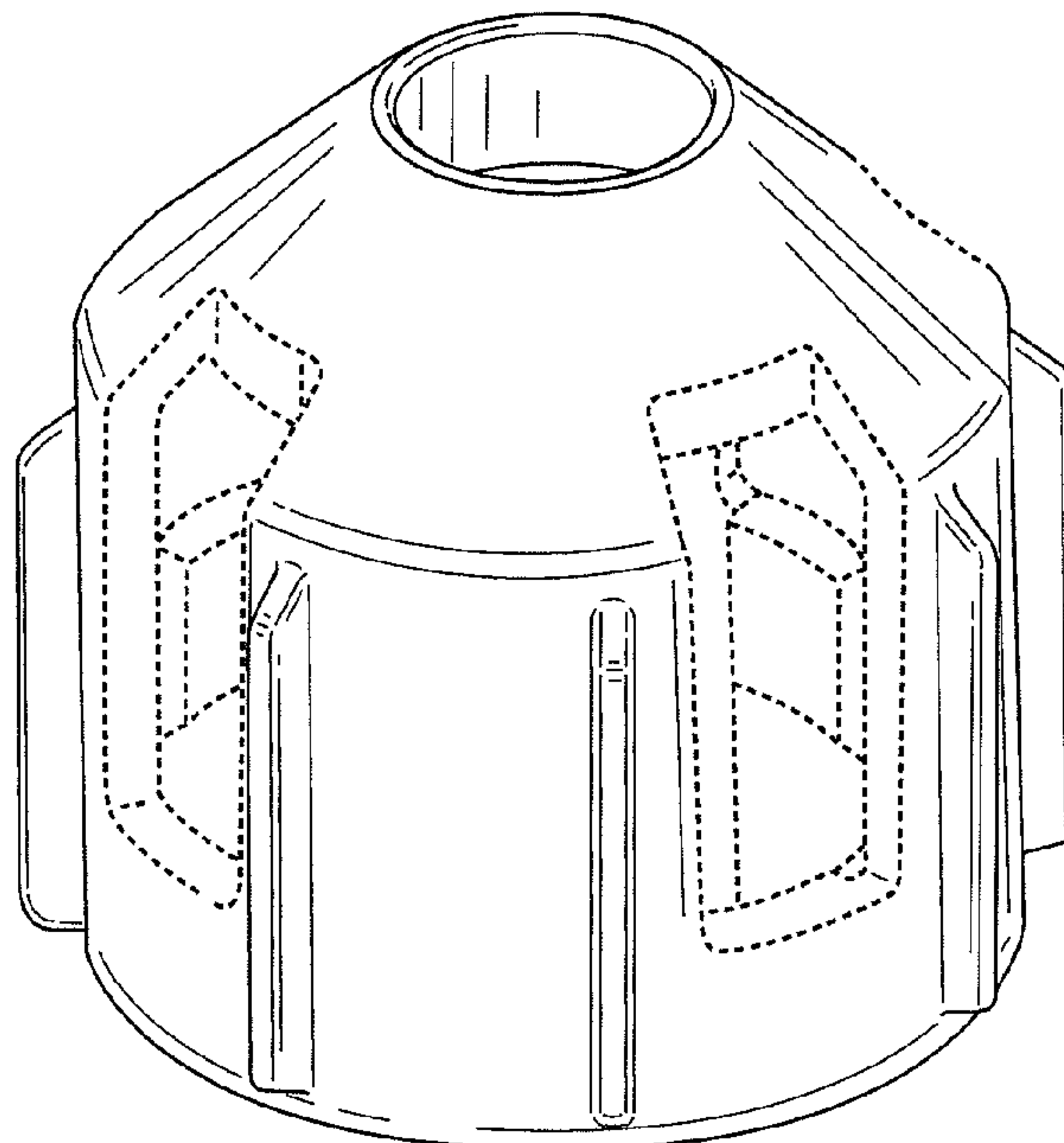
(52) **U.S. Cl.**  
USPC ..... **D24/224**

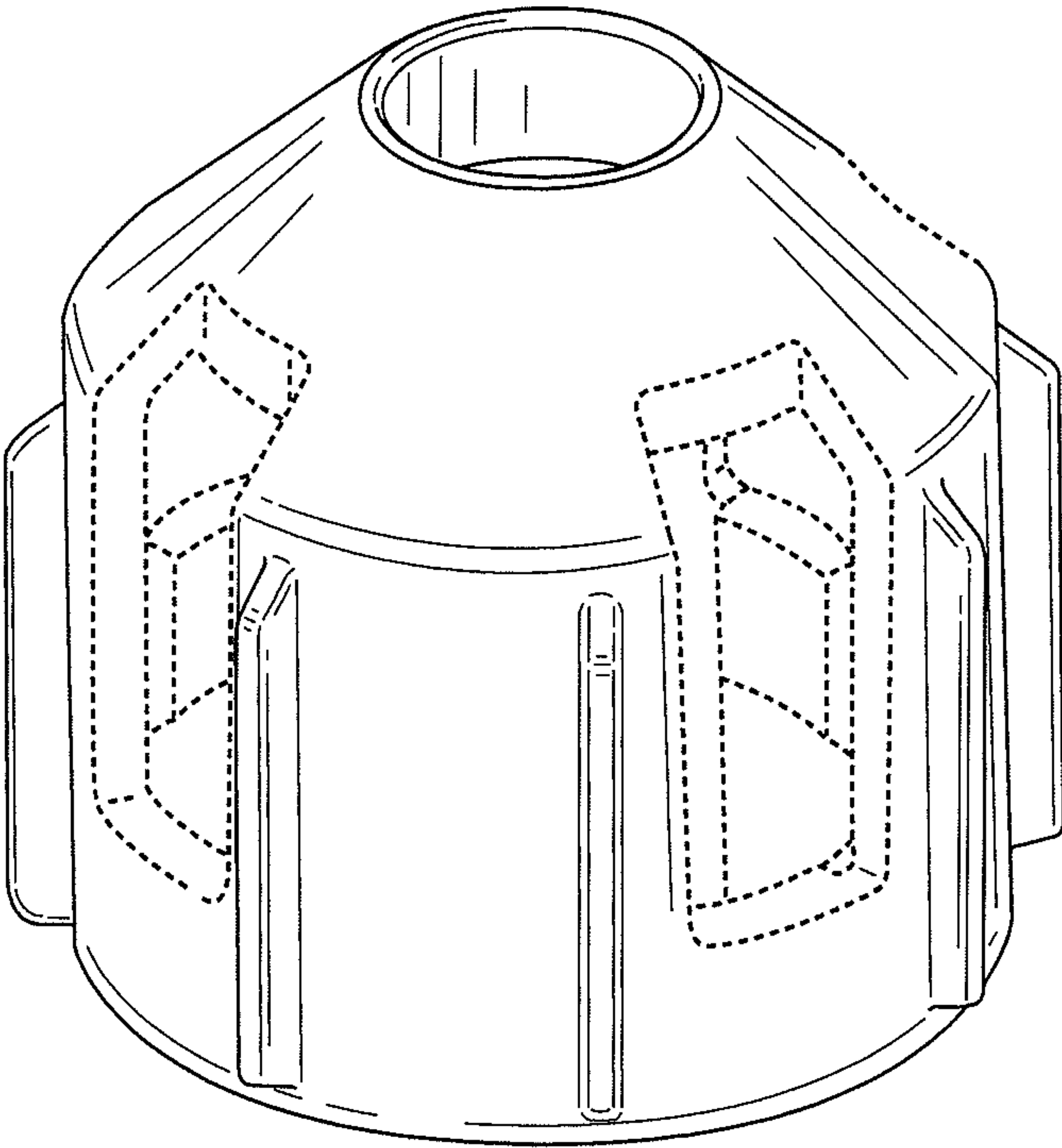
(58) **Field of Classification Search**  
USPC ..... D24/216–217, 219, 223–226, 227,  
D24/229–231, 232, 107, 121–123; D10/81;  
422/547–554, 556, 558, 559, 500; 435/288.1,  
435/288.2, 288.3, 288.4, 294.1, 304.1, 304.3,  
435/305.1–305.4; D3/201, 203.1, 203.2

FIG. 1 is a perspective view of a cap portion of a vial according to our new design;  
FIG. 2 is a front view thereof, the rear view being a mirror image thereof;  
FIG. 3 is a right side view thereof, the left side view being a mirror image thereof;  
FIG. 4 is a top view thereof; and,  
FIG. 5 is a bottom view thereof.  
The broken lines immediately adjacent the shaded areas represent the bounds of the claimed design while all other broken lines are directed to environment and are for illustrative purposes only; the broken lines form no part of the claimed design.

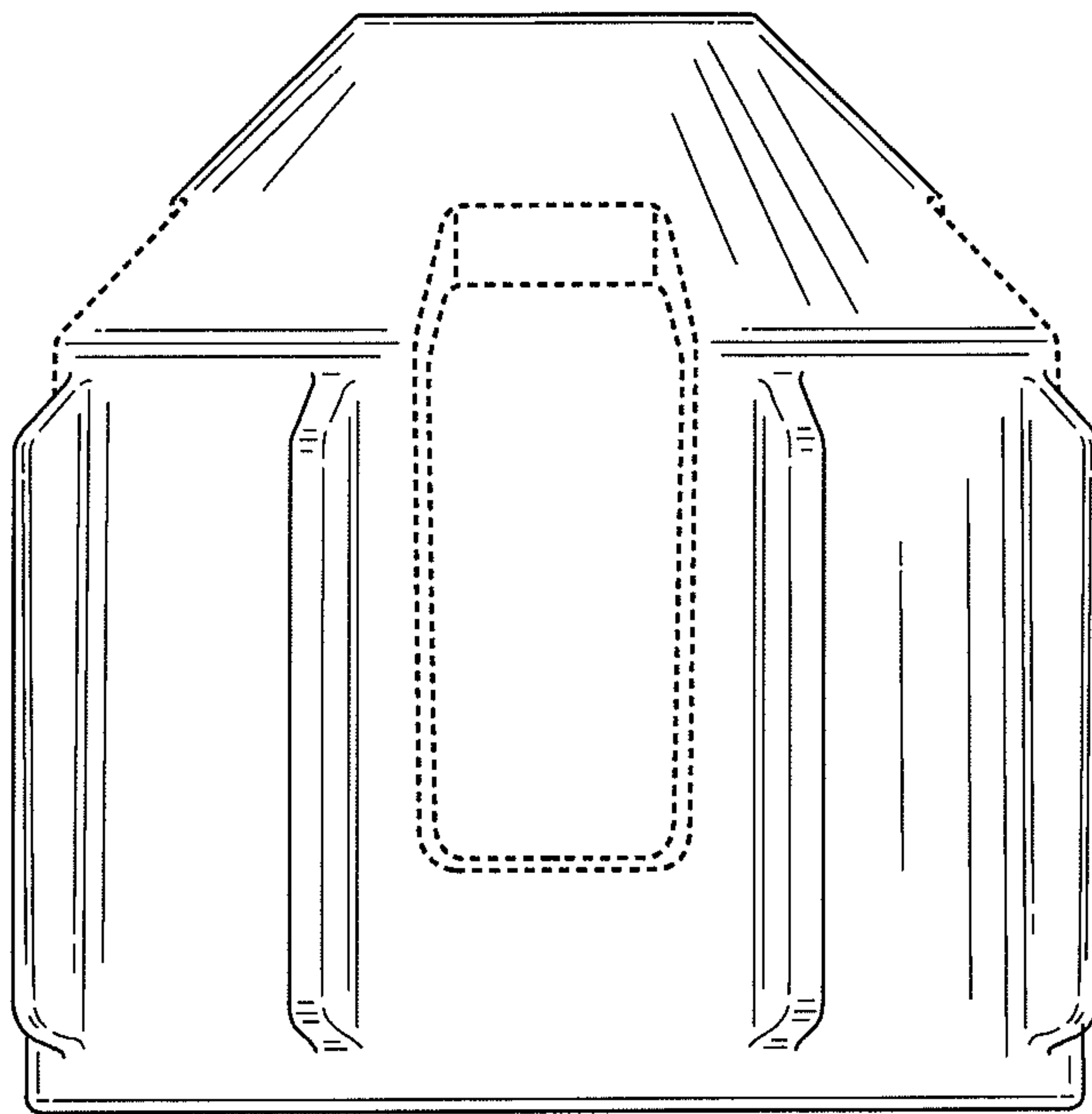
See application file for complete search history.

**1 Claim, 4 Drawing Sheets**

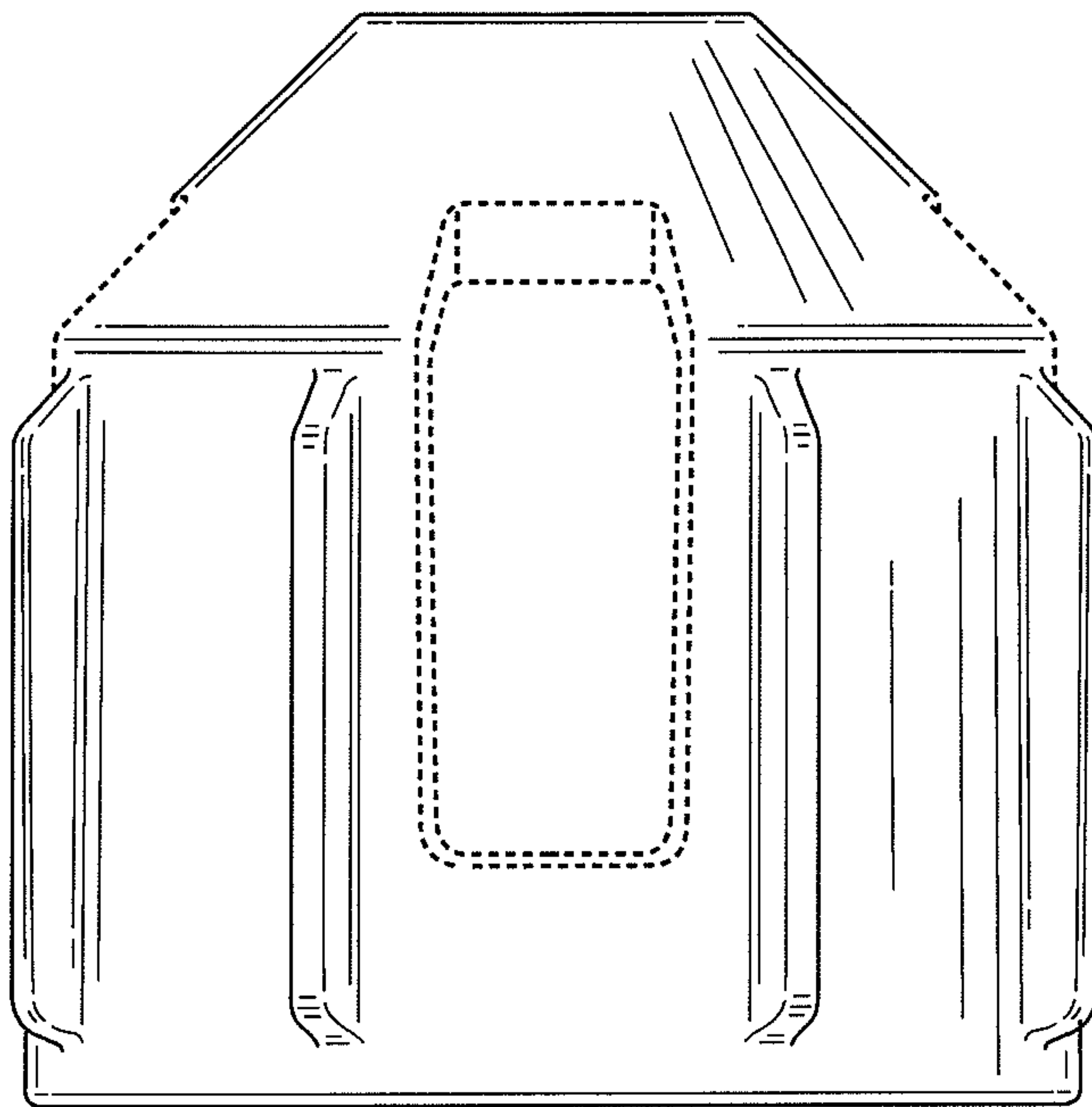




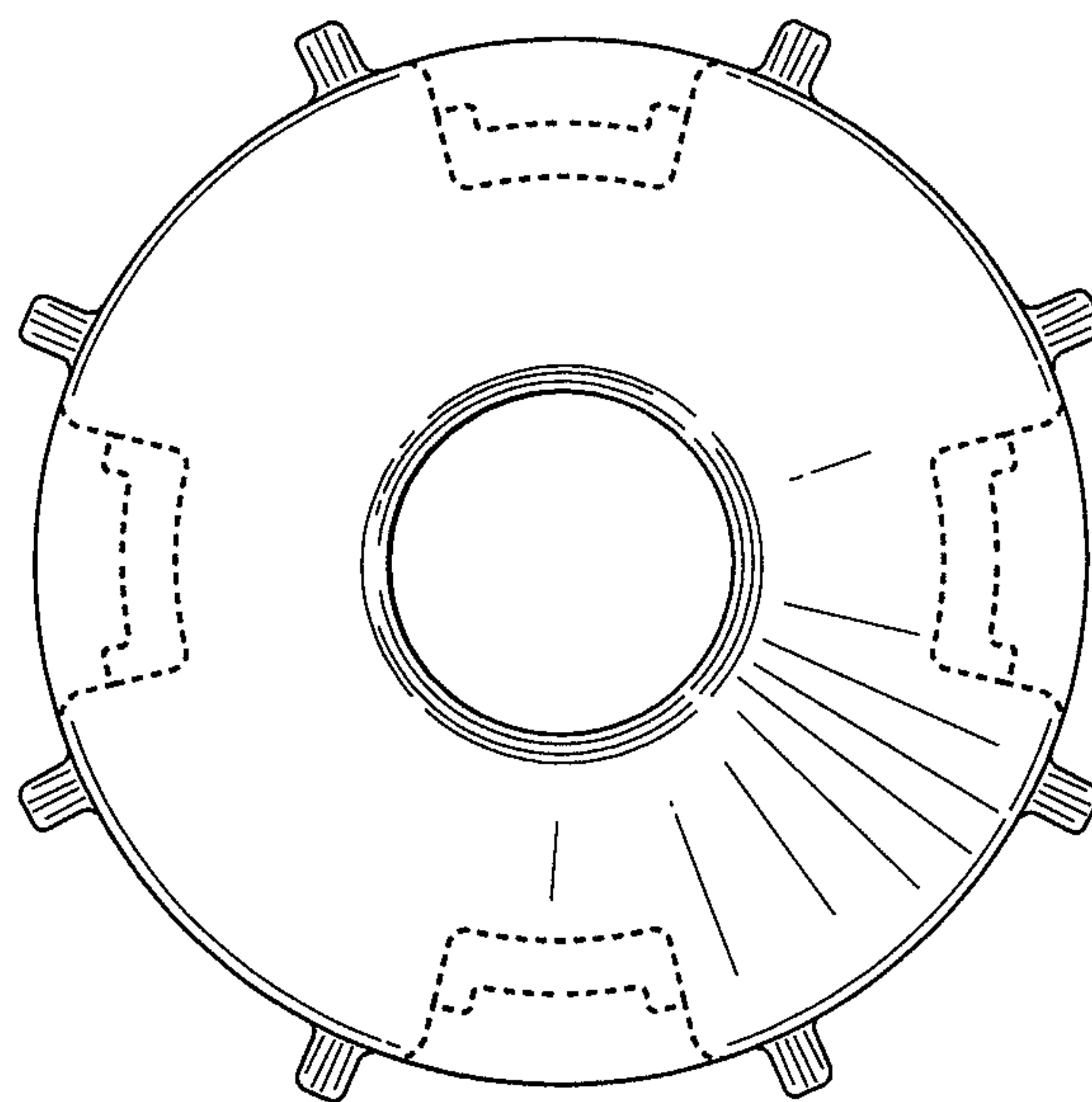
**FIG. 1**



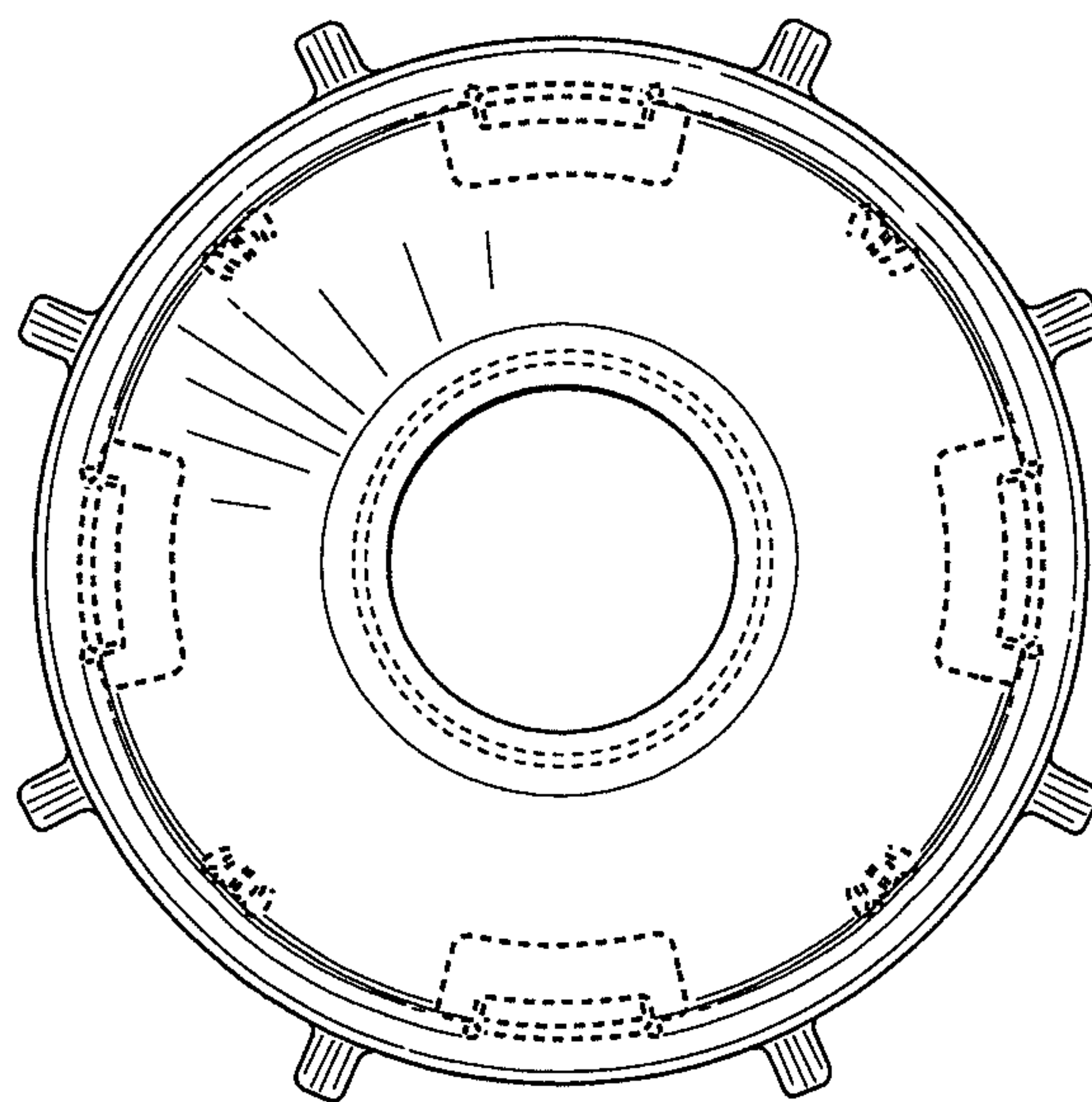
**FIG. 2**



**FIG. 3**



**FIG. 4**



**FIG. 5**