



US00D690826S

(12) **United States Design Patent**
Kuroda et al.

(10) **Patent No.:** **US D690,826 S**

(45) **Date of Patent:** **** Oct. 1, 2013**

(54) **VESSEL ASSEMBLY**

(75) Inventors: **Melody M. H. Kuroda**, Durham, NC (US); **Ammon David Lentz**, York, PA (US); **Dwight Livingston**, Fallston, MD (US); **Michael Justin Lizzi**, Stewartstown, PA (US); **Scott N. Danhof**, Plain City, OH (US); **Gregory S. Kramer**, Hilliard, OH (US); **Thomas D. Haubert**, Columbus, OH (US); **Michael L. Marshall**, Lewis Center, OH (US); **James A. Prescott**, Columbus, OH (US); **Randy J. Somerville**, Columbus, OH (US); **M. Scott Ulrich**, Columbus, OH (US)

(73) Assignee: **Becton Dickinson and Company**, Franklin Lakes, NJ (US)

(**) Term: **14 Years**

(21) Appl. No.: **29/418,181**

(22) Filed: **Apr. 12, 2012**

(51) **LOC (9) Cl.** **24-01**

(52) **U.S. Cl.**
USPC **D24/224**

(58) **Field of Classification Search**
USPC D24/216–217, 219, 223–226, 227, D24/229–231, 232, 107, 121–123; D10/81; 422/547–554, 556, 558, 559, 500; 435/288.1, 435/288.2, 288.3, 288.4, 294.1, 304.1, 304.3, 435/305.1–305.4; D3/201, 203.1, 203.2
See application file for complete search history.

(56) **References Cited**

U.S. PATENT DOCUMENTS

D128,936 S * 8/1941 Foley D3/203.2
D240,543 S * 7/1976 Dragotta D24/226

D306,266 S *	2/1990	Hargrove et al.	D9/447
5,312,009 A *	5/1994	Ratajczak et al.	73/863.52
D351,904 S *	10/1994	Maze	D24/224
D359,128 S *	6/1995	Kesling	D24/230
D370,263 S *	5/1996	Falkenberg et al.	D24/224
5,976,895 A *	11/1999	Cipkowski	436/518
D424,440 S *	5/2000	Wilkinson et al.	D9/446
D435,906 S *	1/2001	Wilkinson et al.	D24/121
D488,233 S *	4/2004	Ellsworth et al.	D24/216
D494,279 S *	8/2004	Cogan et al.	D24/224
D506,261 S *	6/2005	Hellstrom	D24/224
D520,643 S *	5/2006	Clarke et al.	D24/216
D522,145 S *	5/2006	Best et al.	D24/224
D641,866 S *	7/2011	Burgess et al.	D24/121
D642,282 S *	7/2011	Bargh	D24/224
8,163,253 B1 *	4/2012	Hartselle	422/402
2008/0293156 A1 *	11/2008	Smith	436/174

* cited by examiner

Primary Examiner — Anhdao Doan

(74) *Attorney, Agent, or Firm* — Alston & Bird LLP

(57) **CLAIM**

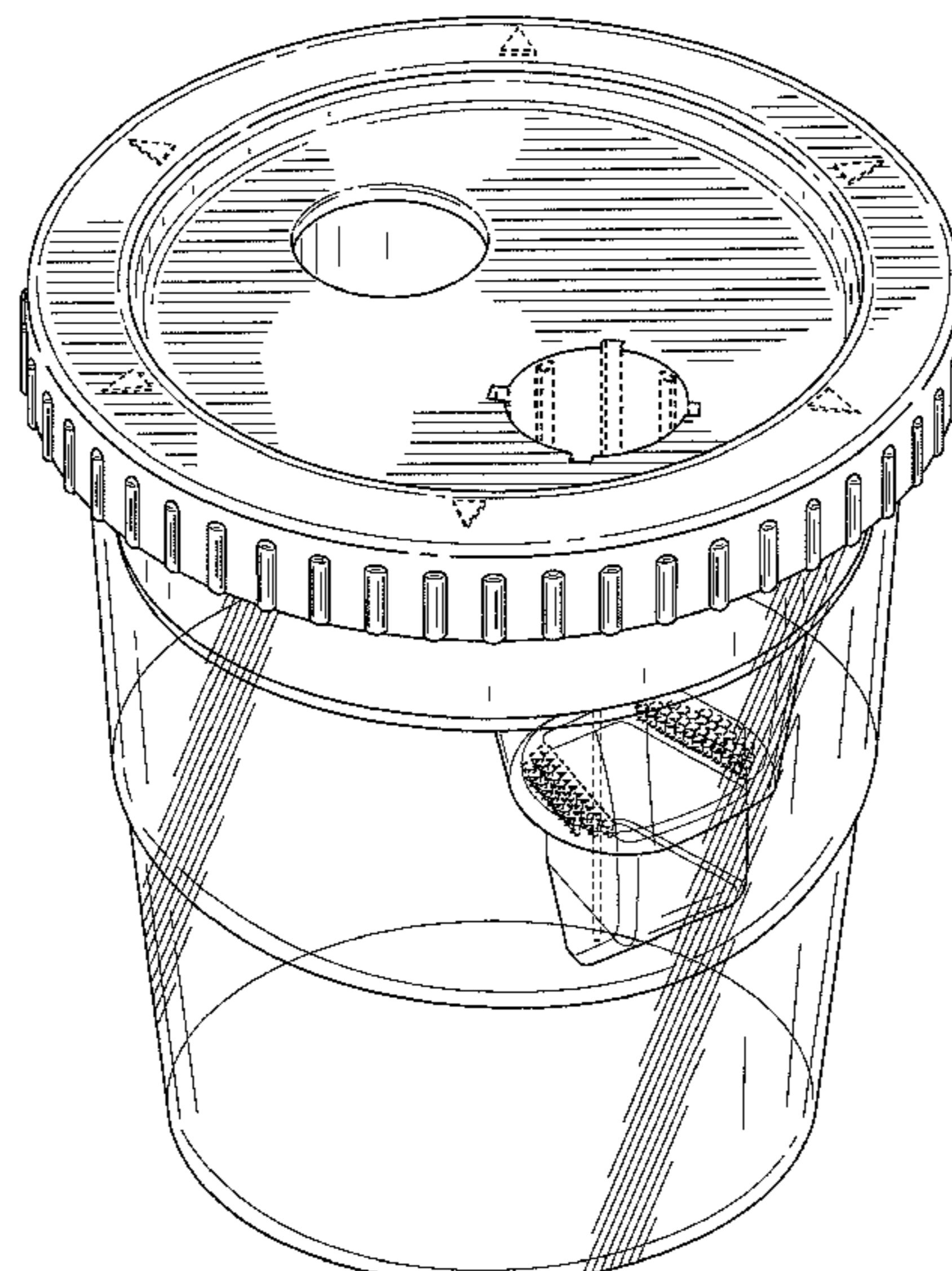
The ornamental design for a vessel assembly, as shown and described.

DESCRIPTION

FIG. 1 is a perspective view of a vessel assembly according to our new design;
FIG. 2 is a front view thereof;
FIG. 3 is a rear view thereof;
FIG. 4 is a right side view thereof;
FIG. 5 is a left side view thereof;
FIG. 6 is a top view thereof; and,
FIG. 7 is a bottom view thereof.

The broken lines immediately adjacent the shaded areas represent the bounds of the claimed design while all other broken lines are directed to environment and are for illustrative purposes only; the broken lines form no part of the claimed design.

1 Claim, 7 Drawing Sheets



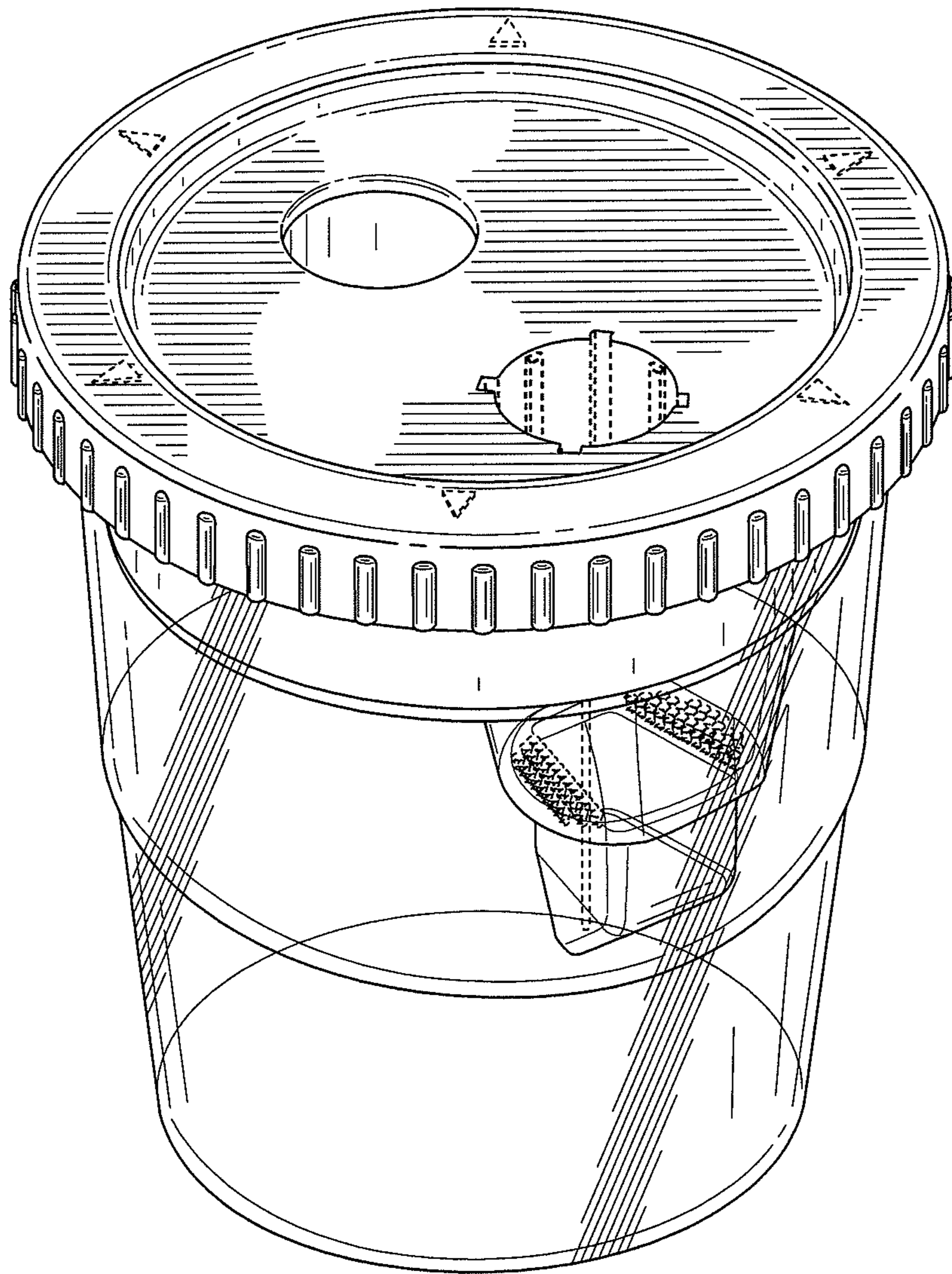


FIG. 1

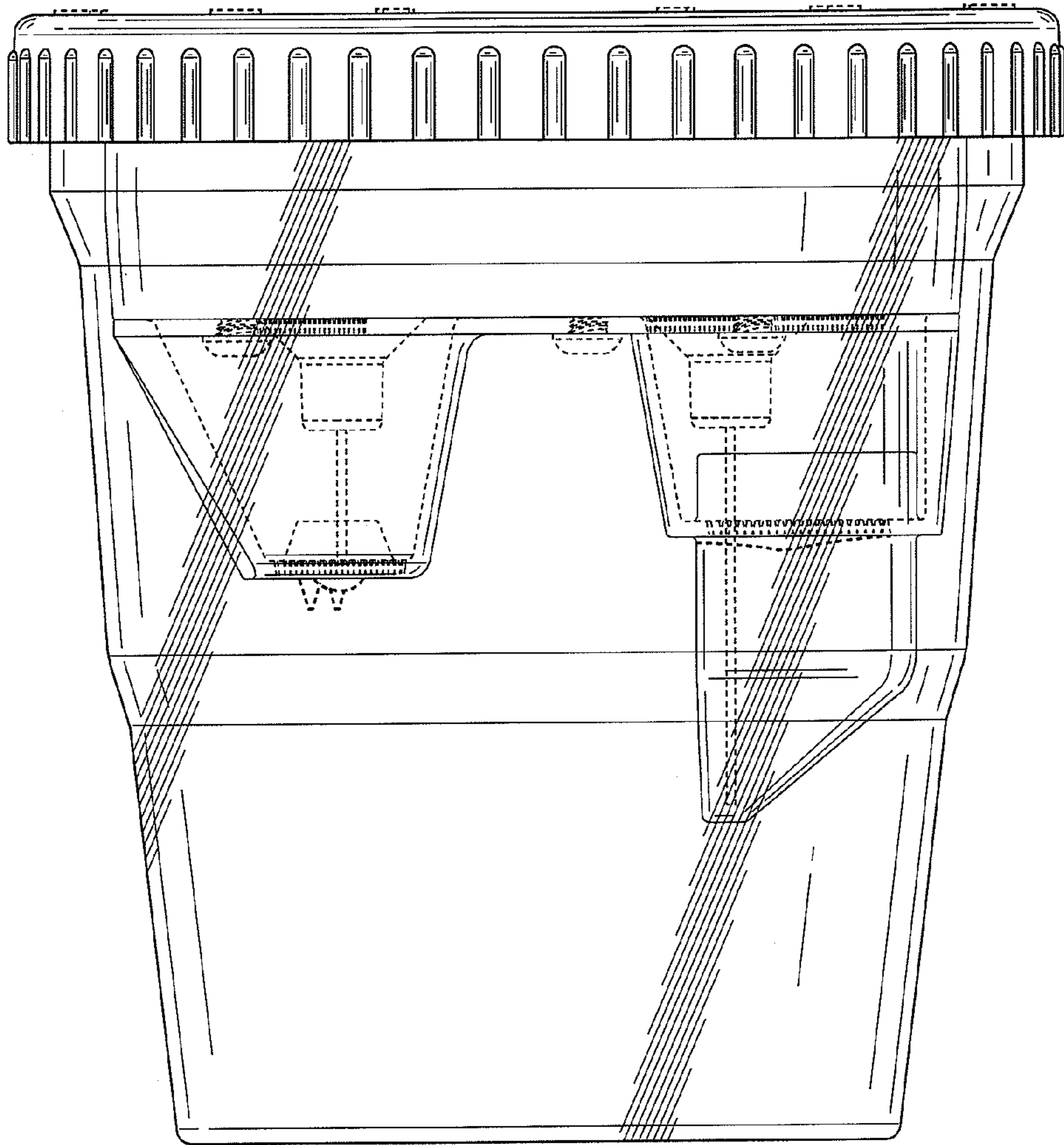


FIG. 2

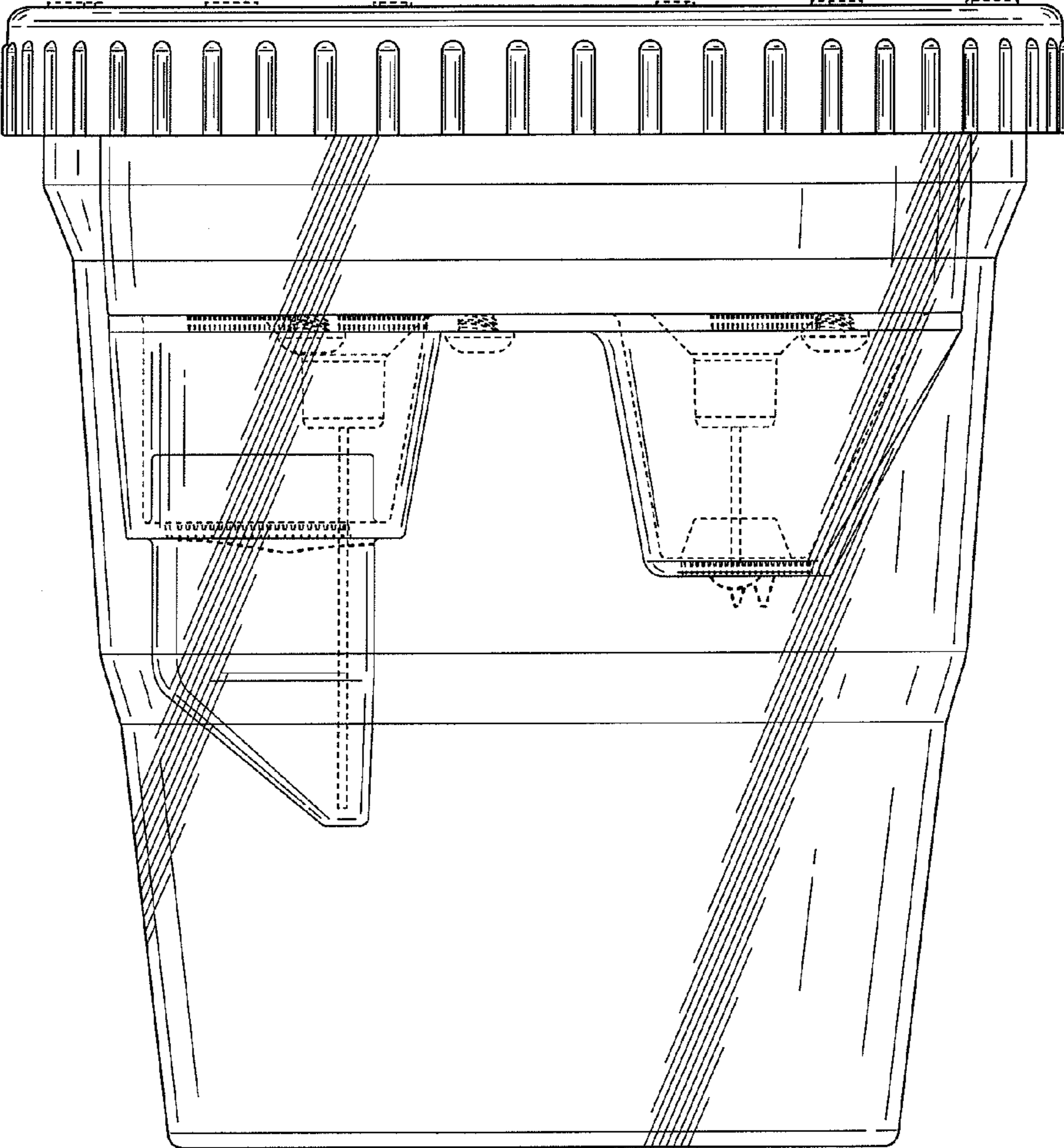


FIG. 3

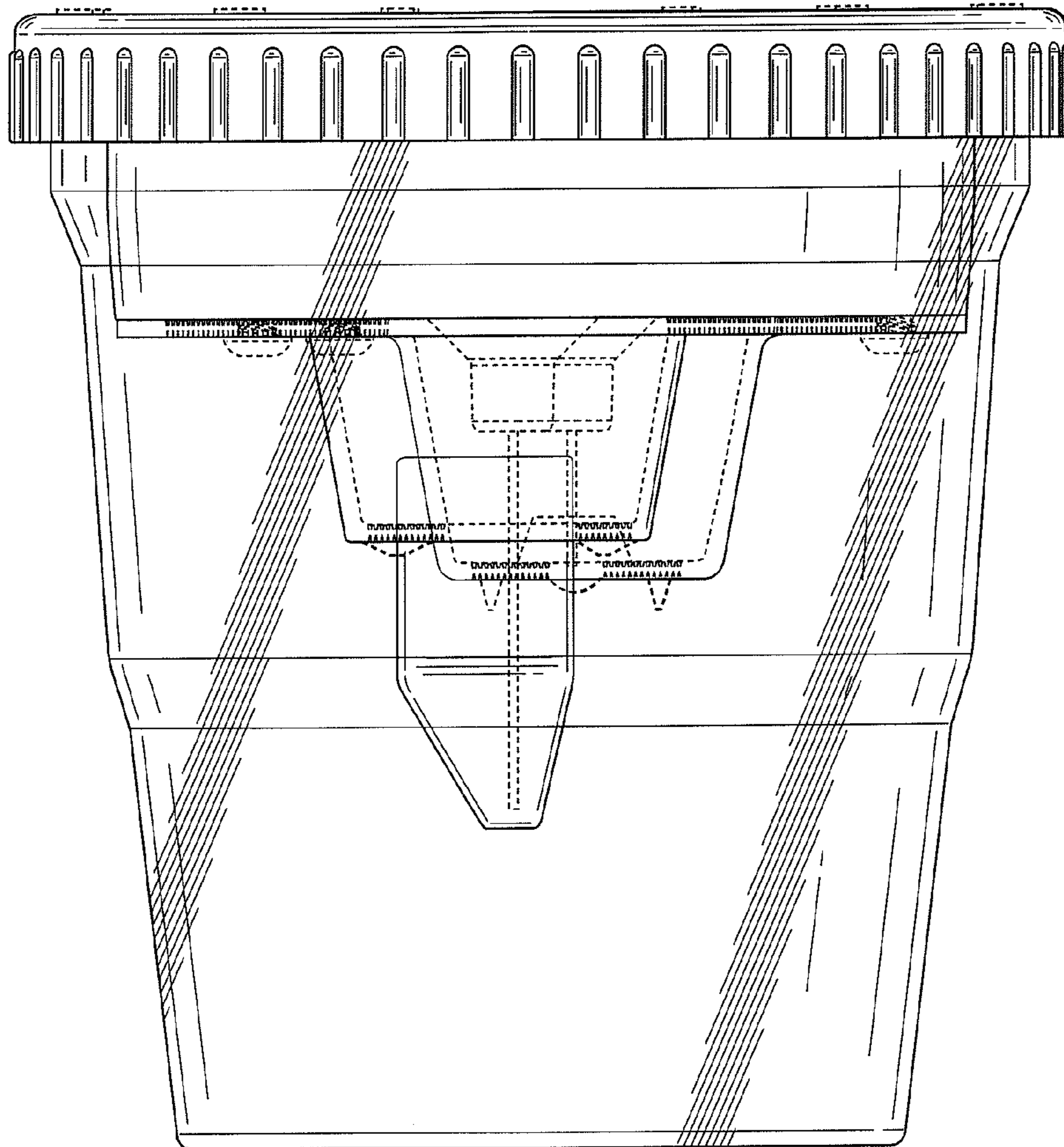


FIG. 4

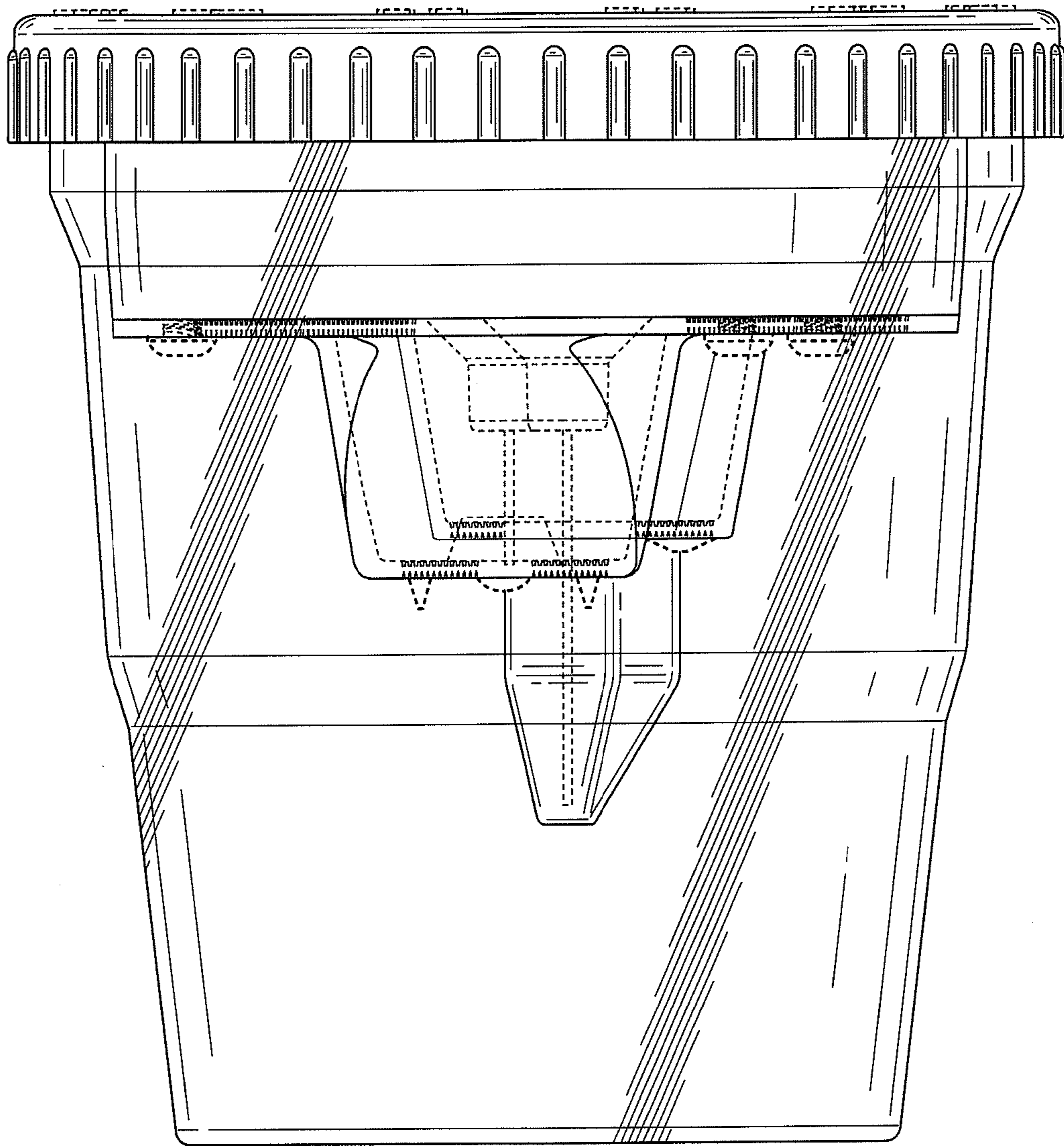


FIG. 5

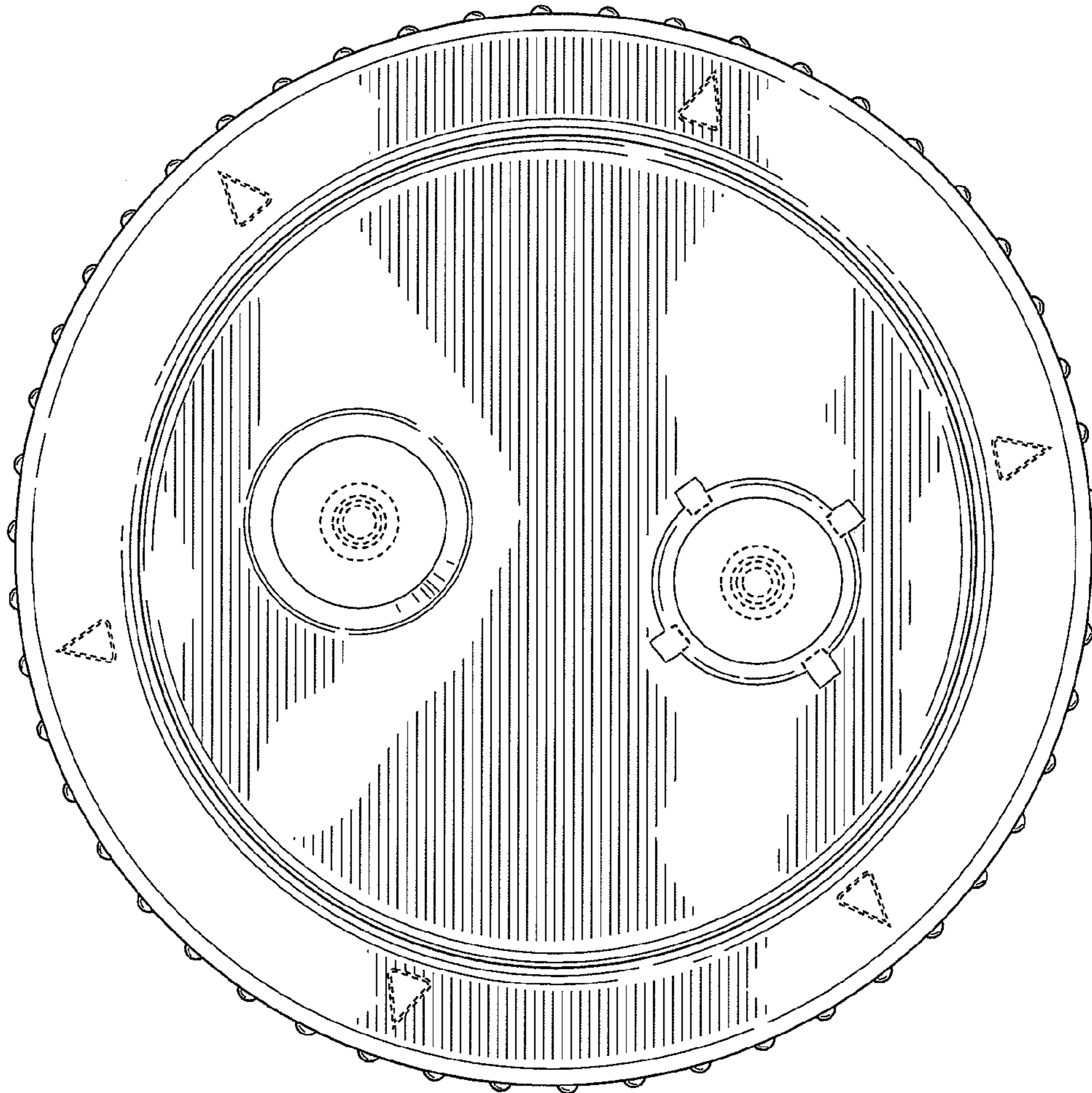


FIG. 6

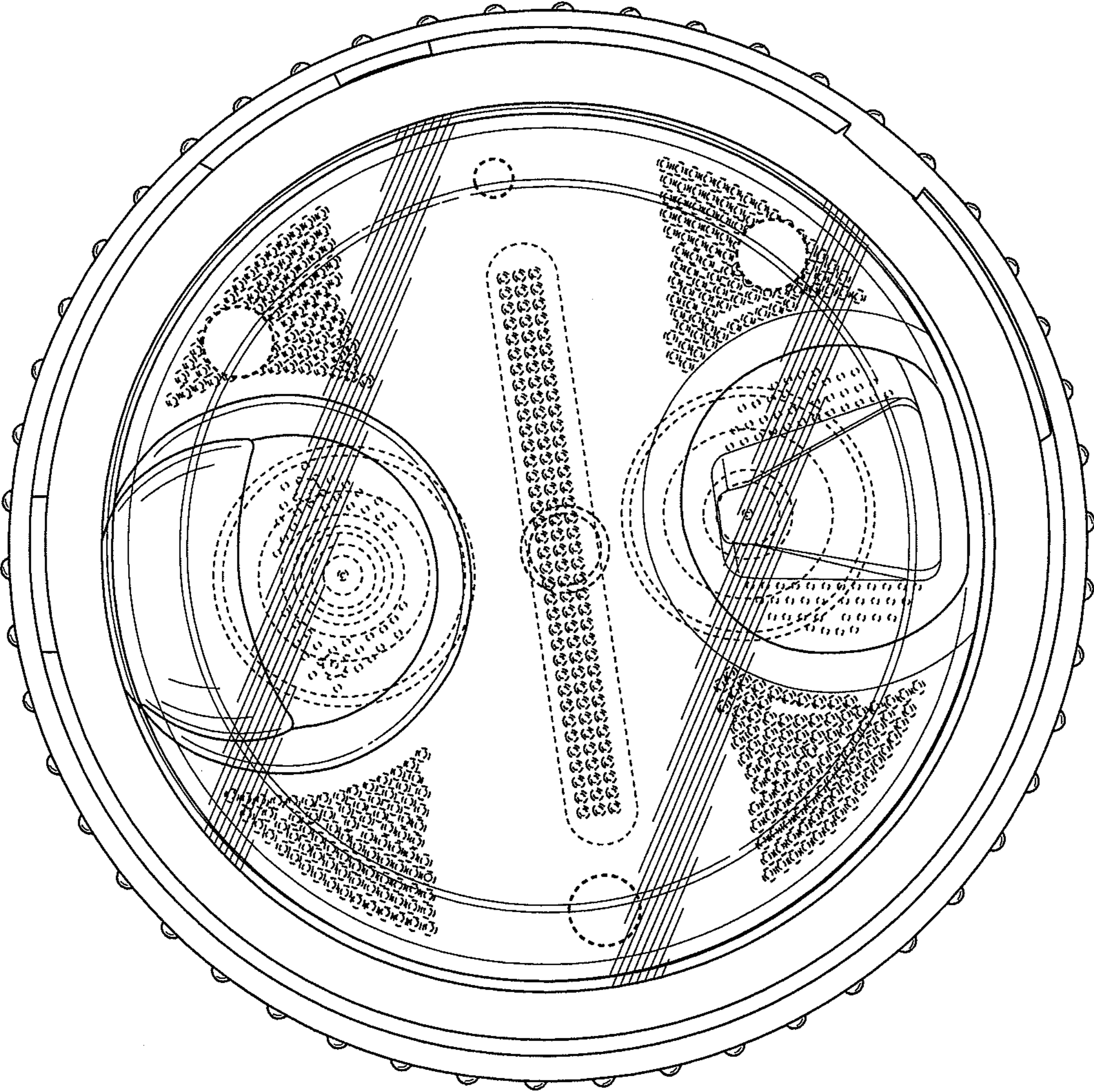


FIG. 7