

US00D690825S

(12) **United States Design Patent**  
**Sauro**

(10) **Patent No.:** **US D690,825 S**

(45) **Date of Patent:** **\*\* Oct. 1, 2013**

(54) **CENTRIFUGE DEVICE**

(75) **Inventor:** **Dennis M. Sauro**, Glenmoore, PA (US)

(73) **Assignee:** **Kensley Nash Corporation**, Exton, PA (US)

(\*\*) **Term:** **14 Years**

(21) **Appl. No.:** **29/413,351**

(22) **Filed:** **Feb. 14, 2012**

(51) **LOC (9) Cl.** ..... **24-01**

(52) **U.S. Cl.**  
USPC ..... **D24/219**

(58) **Field of Classification Search**  
USPC ..... D24/216, 217, 219, 231, 232, 107,  
D24/169, 186; D10/81; 422/500, 547, 62-65,  
422/67, 72; 435/287.1, 287.3; 436/43, 45,  
436/47; 356/246; 494/16  
See application file for complete search history.

(56) **References Cited**

**U.S. PATENT DOCUMENTS**

D121,333 S *	7/1940	Turner, II et al.	.....	D24/107
D126,851 S *	4/1941	Goldstein	.....	D24/219
D179,297 S *	11/1956	Isreel	.....	D24/216
3,342,544 A *	9/1967	Curriel	.....	D24/217
D303,147 S *	8/1989	Ota	.....	D24/219
D329,902 S *	9/1992	Kim	.....	D24/219

D343,904 S *	2/1994	Silver et al.	.....	D24/219
D413,676 S *	9/1999	Lippoldt	.....	D24/219
D437,418 S *	2/2001	Suzuki et al.	.....	D24/219
D527,462 S *	8/2006	Raimann	.....	D24/219
D569,988 S *	5/2008	Koop	.....	D24/220
D617,909 S *	6/2010	Taniguchi et al.	.....	D24/219
D659,255 S *	5/2012	Henssler et al.	.....	D24/219

\* cited by examiner

*Primary Examiner* — Anhdao Doan

(74) *Attorney, Agent, or Firm* — Woodcock Washburn LLP

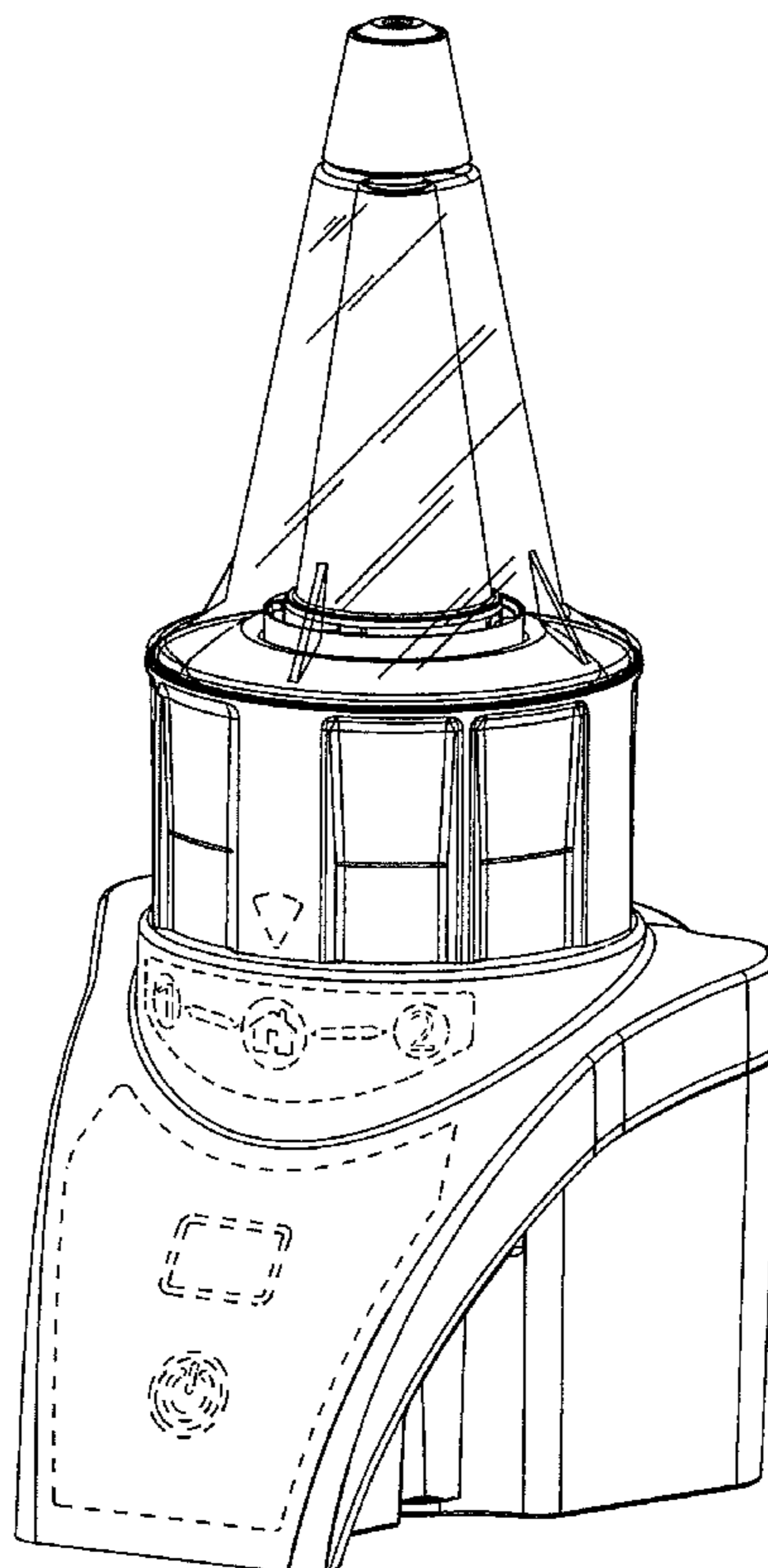
(57) **CLAIM**

I claim the ornamental design for a centrifuge device, as shown and described.

**DESCRIPTION**

FIG. 1 is a perspective view of a centrifuge device according to an embodiment of my new design.  
FIG. 2 is a front view thereof.  
FIG. 3 is a left side view thereof, the right side view being a mirror image of the left side view.  
FIG. 4 is a top view thereof.  
FIG. 5 is a bottom view thereof; and,  
FIG. 6 is a rear view thereof.  
The portions of the drawings appearing in broken line are for environment only and do not form a part of the claimed design.

**1 Claim, 6 Drawing Sheets**



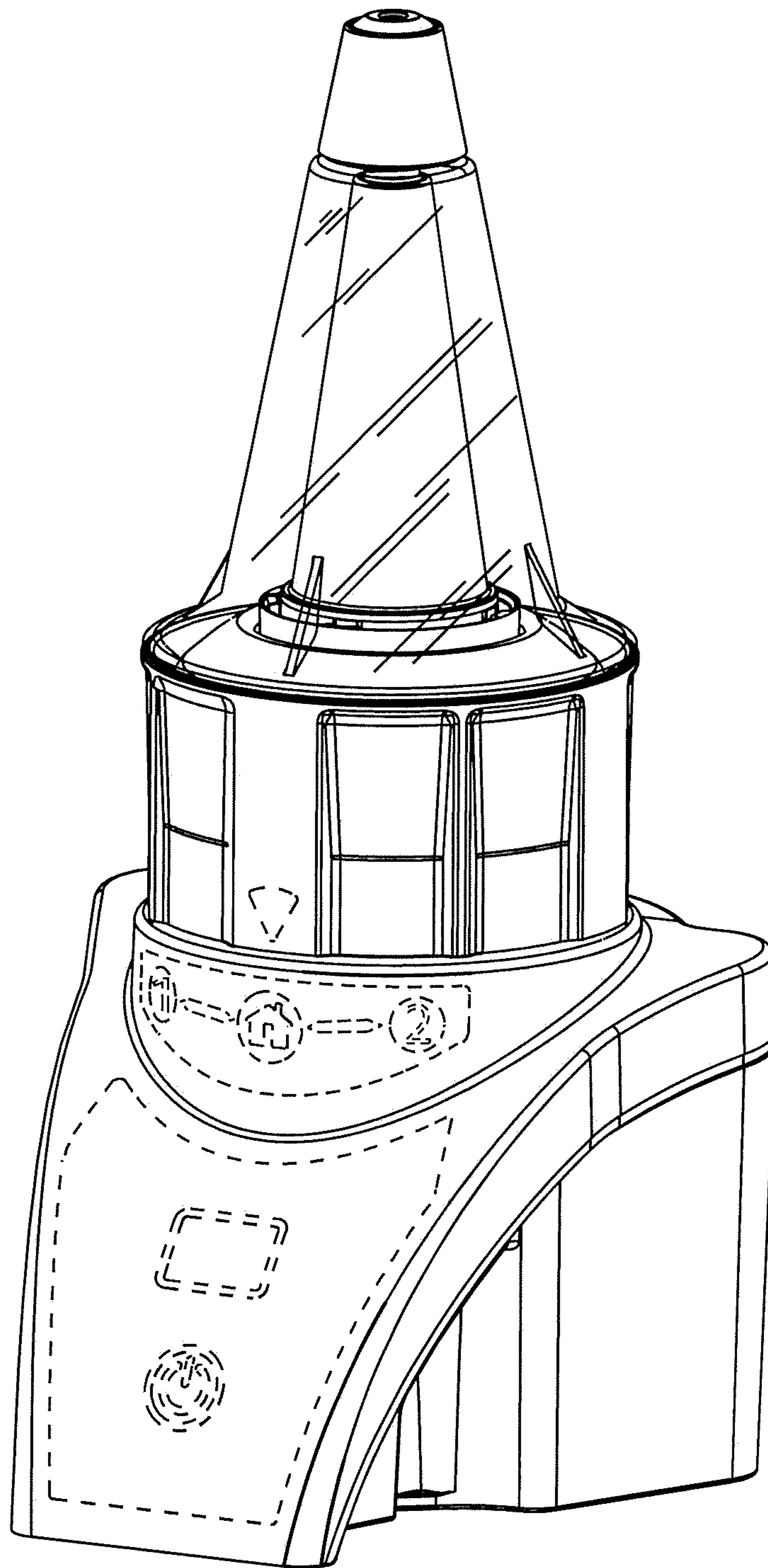


Figure 1

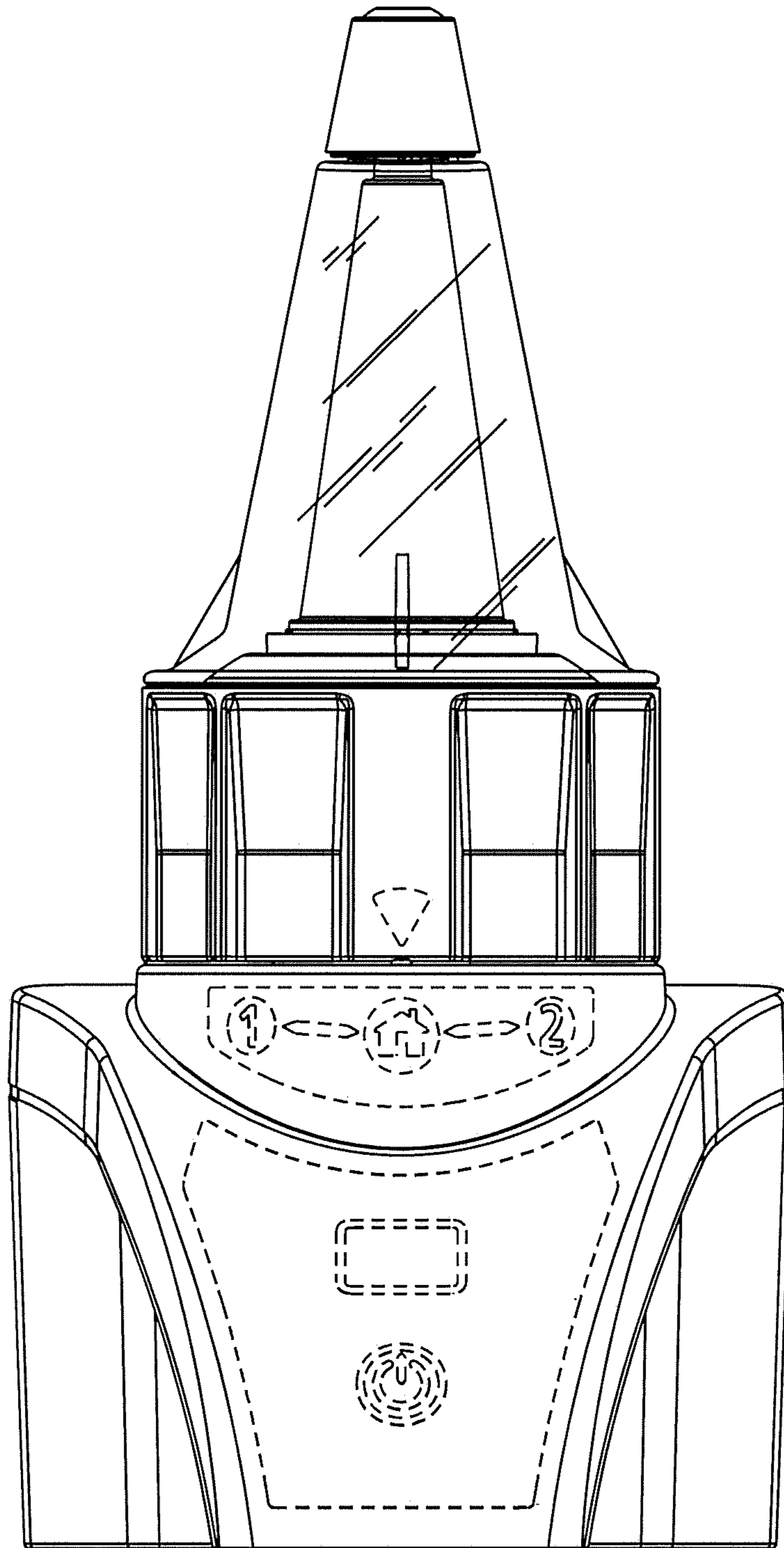


Figure 2

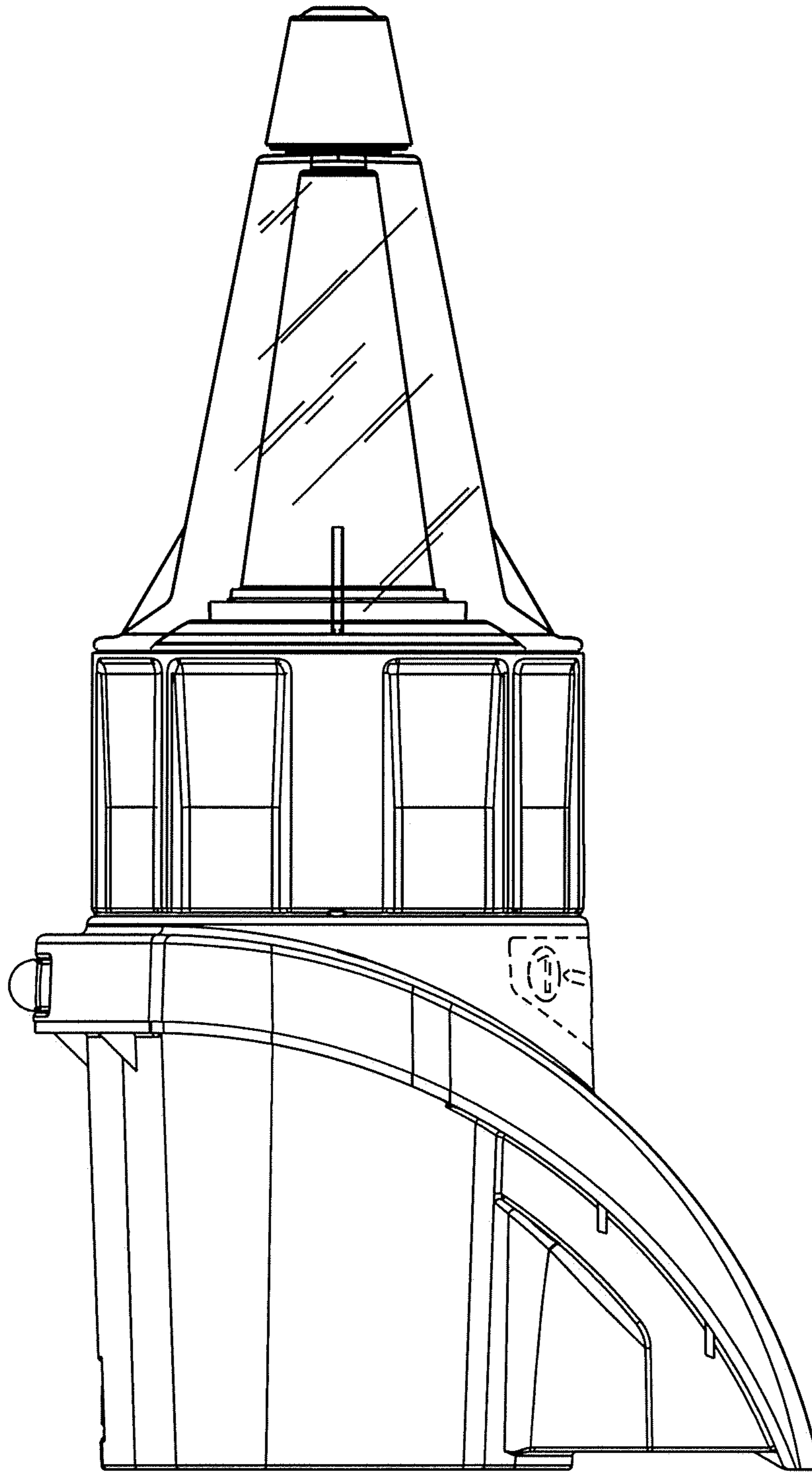


Figure 3

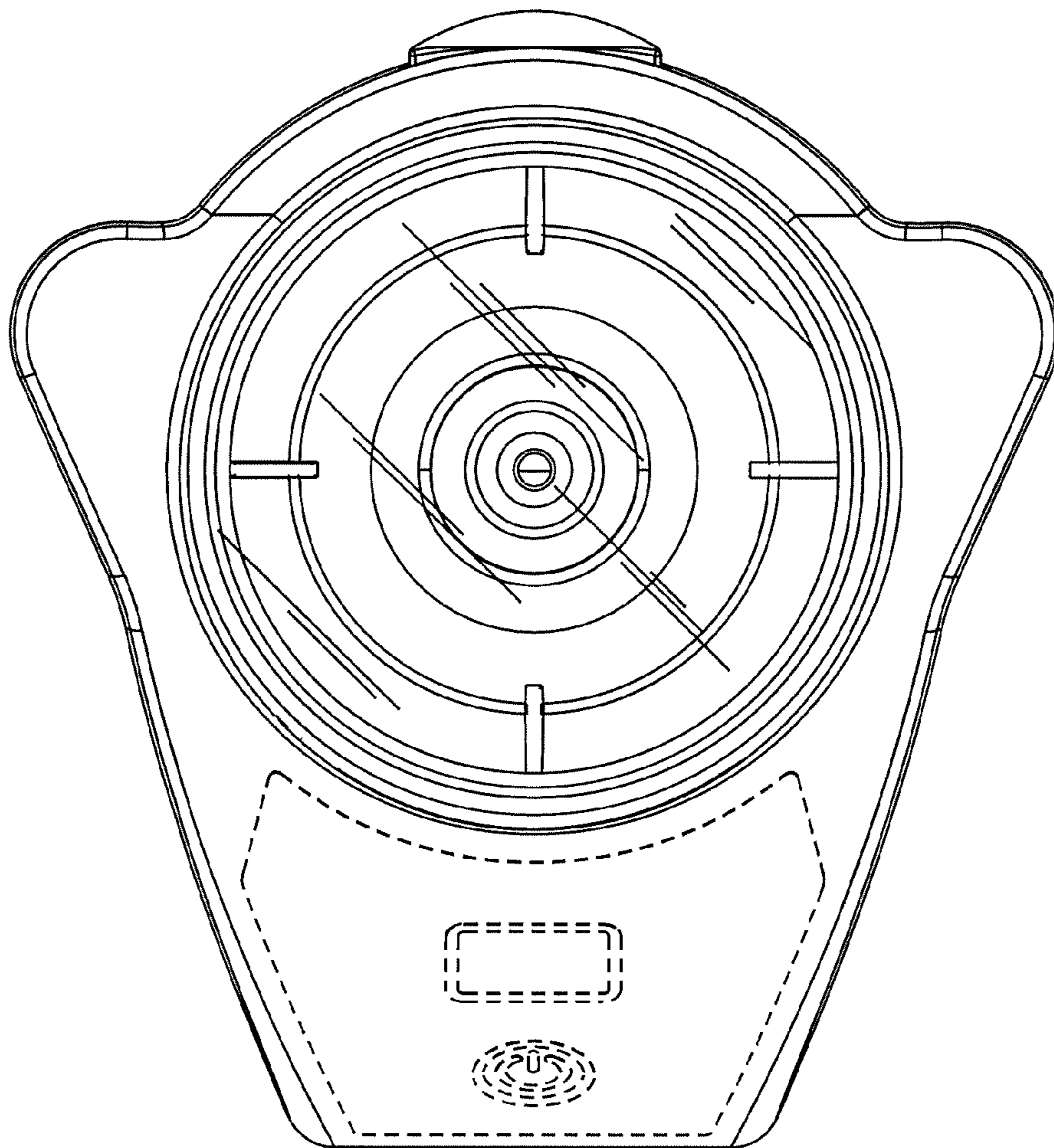


Figure 4

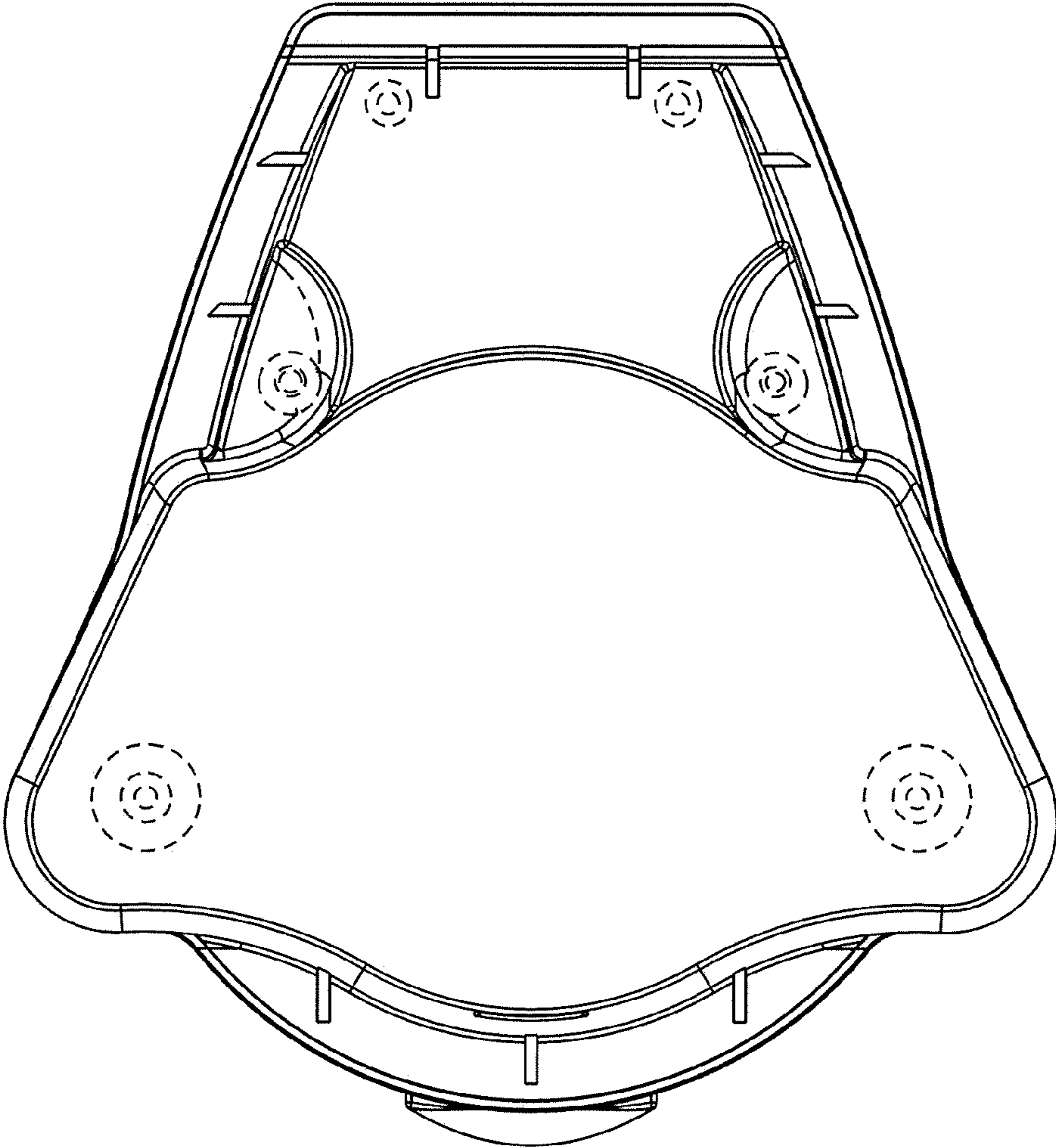


Figure 5

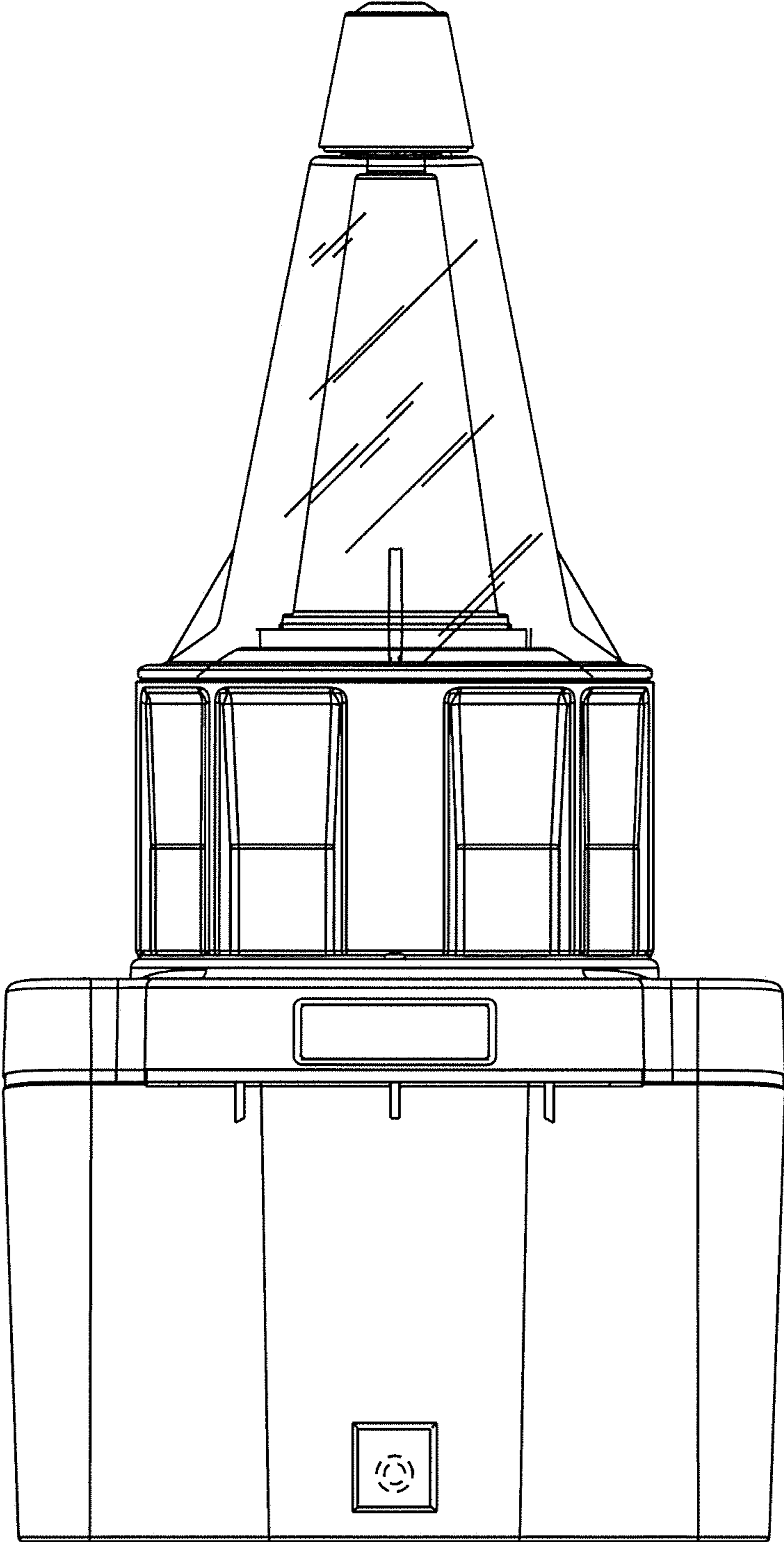


Figure 6