



US00D690823S

(12) **United States Design Patent**
D'Alesio

(10) **Patent No.:** **US D690,823 S**

(45) **Date of Patent:** **** Oct. 1, 2013**

(54) **PACIFIER**

(76) Inventor: **Alene D'Alesio**, Moon Township, PA
(US)

(**) Term: **14 Years**

(21) Appl. No.: **29/425,043**

(22) Filed: **Jun. 19, 2012**

(51) **LOC (9) Cl.** **24-04**

(52) **U.S. Cl.**
USPC **D24/194**

(58) **Field of Classification Search**

USPC D24/115, 117, 193-196, 199, 200,
D24/211, 214; 606/234-236; 215/11.1-11.6;
D30/160; 604/77; 119/707, 710, 711; 24/3.1,
24/3.4, 3.13, 301; D21/659, 660, 661
See application file for complete search history.

(56) **References Cited**

U.S. PATENT DOCUMENTS

3,129,709	A	4/1964	Rountree	
D245,335	S *	8/1977	Meeker et al.	D24/194
4,078,570	A *	3/1978	Frodreich et al.	606/236
4,381,785	A *	5/1983	Robbins	606/236
D294,297	S *	2/1988	Roehrig	D24/194
4,878,496	A	11/1989	Chen	
D312,312	S *	11/1990	Herritz	D24/194
5,004,473	A *	4/1991	Kalantar	606/234
5,211,656	A	5/1993	Maddocks et al.	
5,342,398	A	8/1994	Sun	
5,366,481	A	11/1994	Zade	
5,391,184	A	2/1995	Rosenthal	
5,571,140	A	11/1996	Gura-Emerling	
5,578,058	A *	11/1996	Chen	606/236
D393,074	S *	3/1998	Fields et al.	D24/194
6,041,950	A	3/2000	Soehnlein	
D443,932	S *	6/2001	Wickerman	D24/196
6,241,110	B1	6/2001	Hakim	

6,461,374	B2	10/2002	Huang	
6,470,200	B2 *	10/2002	Walker et al.	600/344
6,517,567	B2	2/2003	Bass, Jr. et al.	
7,029,491	B2 *	4/2006	Davis	606/234
D554,760	S *	11/2007	Brockhaus et al.	D24/194
D567,383	S *	4/2008	Rohrig	D24/194
D571,017	S *	6/2008	Rohrig	D24/194

(Continued)

FOREIGN PATENT DOCUMENTS

EP	2361600	8/2011
WO	9409689	5/1994
WO	9614045	5/1996

OTHER PUBLICATIONS

Trager, E.; "Bye-Bye-Binkyl"; publication from CezDay Publications; Copyright 2009; 5 pages.

(Continued)

Primary Examiner — Susan E Krakower

(74) *Attorney, Agent, or Firm* — Fitch, Even, Tabin & Flannery LLP

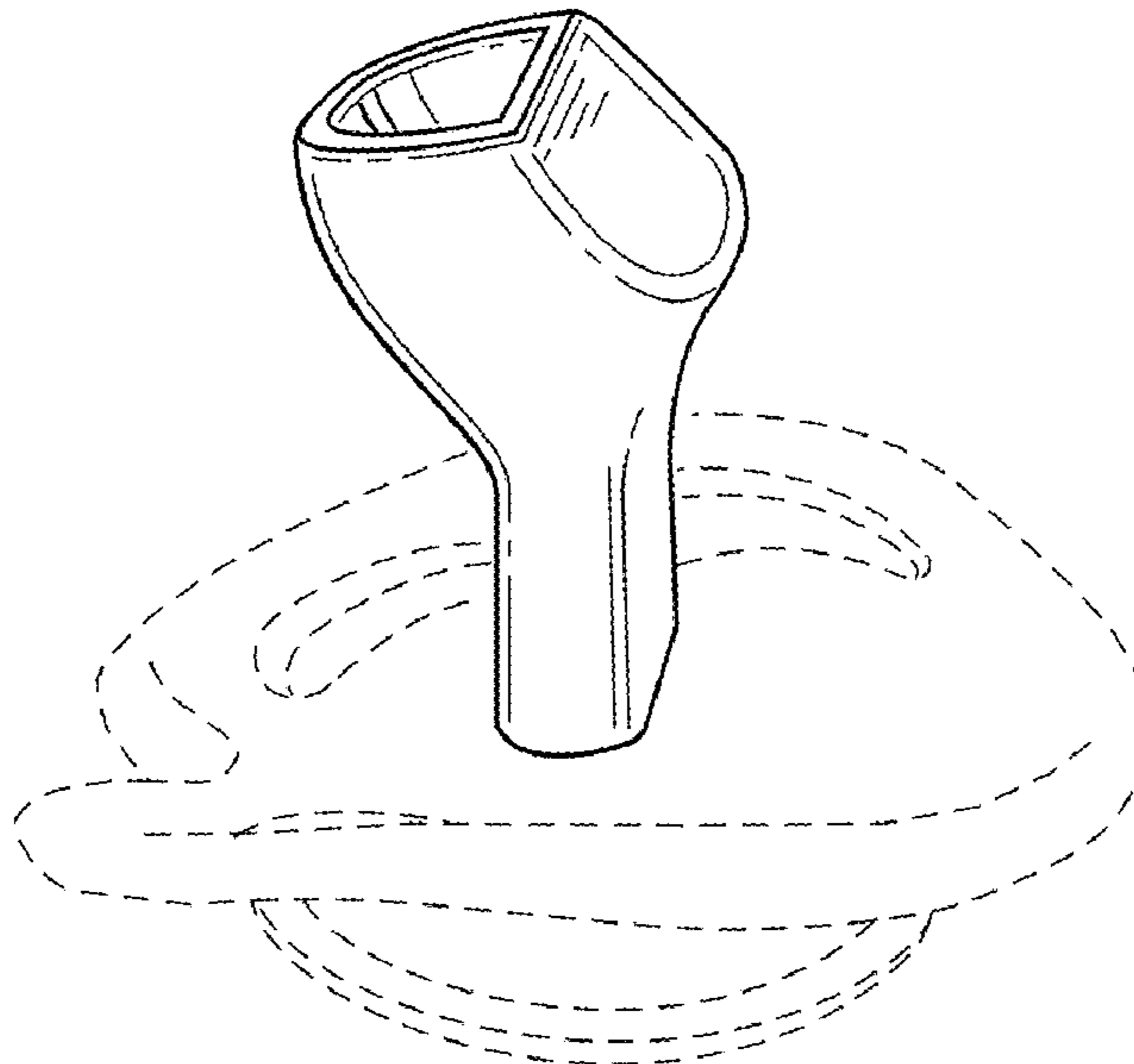
(57) **CLAIM**

The ornamental design for a pacifier, as shown and described.

DESCRIPTION

FIG. 1 is a perspective view of a pacifier showing my new design;
FIG. 2 is a top plan view of the pacifier of FIG. 1;
FIG. 3 is a right side elevational view of the pacifier of FIG. 1, the left side elevational view being a mirror image of FIG. 3;
FIG. 4 is a rear elevational view of the pacifier of FIG. 1; and,
FIG. 5 is a front elevational view of the pacifier of FIG. 1.
The broken lines illustrate environmental structure and form no part of the claimed design.

1 Claim, 1 Drawing Sheet



(56)

References Cited

U.S. PATENT DOCUMENTS

D582,046 S * 12/2008 Rohrig D24/194
D616,557 S * 5/2010 Roehrig D24/196
8,118,773 B2 * 2/2012 Stewart 604/79
8,241,327 B1 * 8/2012 Moore 606/234
D671,652 S * 11/2012 Middleton D24/194
D671,793 S * 12/2012 Hakim D7/392.1
2003/0181947 A1 * 9/2003 Struckmeier et al. 606/234
2004/0088006 A1 5/2004 Bass, Jr. et al.
2006/0069409 A1 3/2006 Morris

2009/0030455 A1 1/2009 Dallman
2009/0191783 A1 7/2009 Spitzer et al.
2010/0069959 A1 3/2010 Parker et al.
2011/0125190 A1 * 5/2011 Rohrig 606/236

OTHER PUBLICATIONS

“Bye-Bye-Binky”; <http://www.bye-bye-binky.com/>; web pages printed Mar. 23, 2010; 3 pages.
Spitzer, M.; <http://pacifierbgone.com/>; web pages printed Mar. 23, 2010; 5 pages.

* cited by examiner

FIG. 1

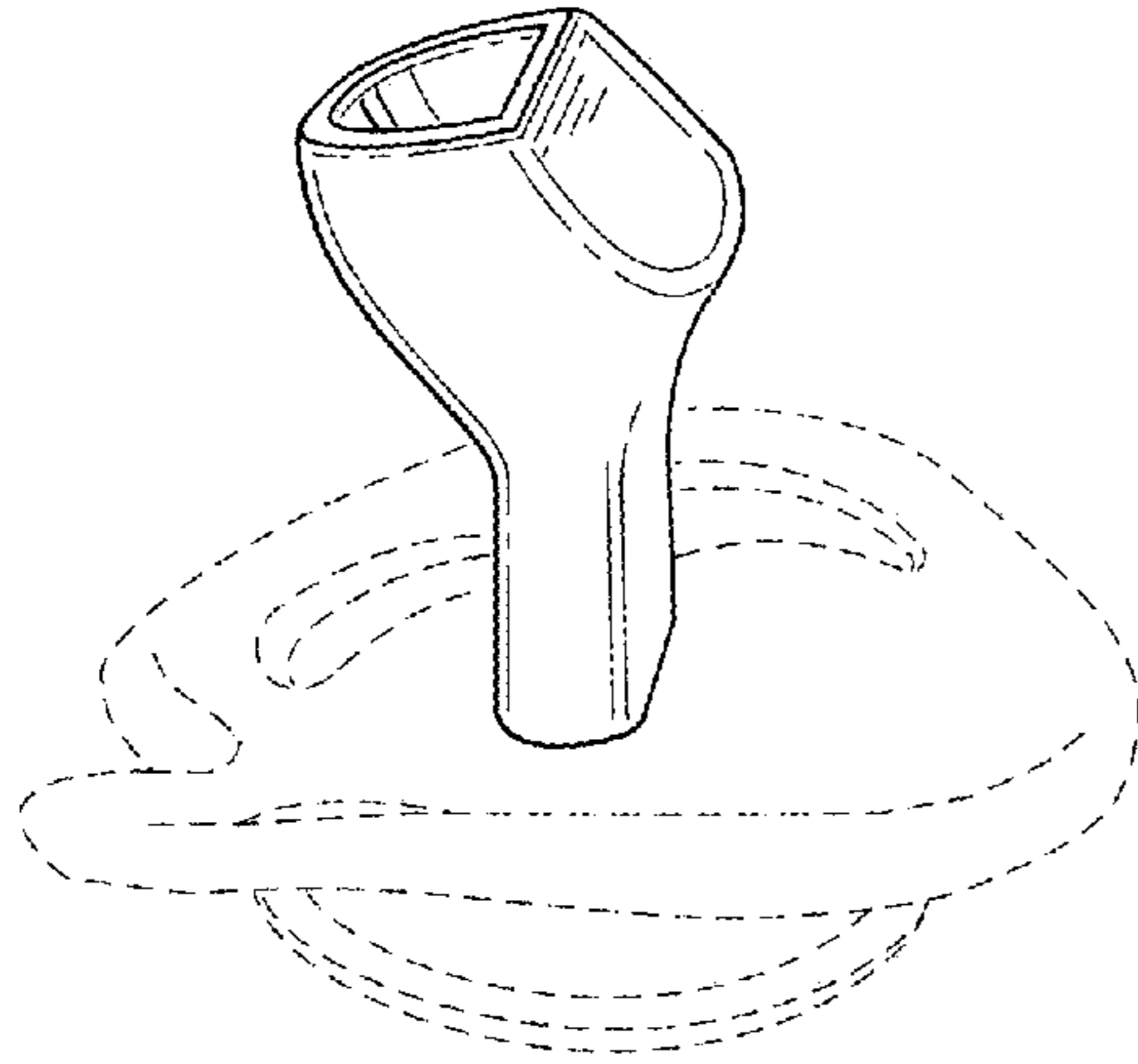


FIG. 2

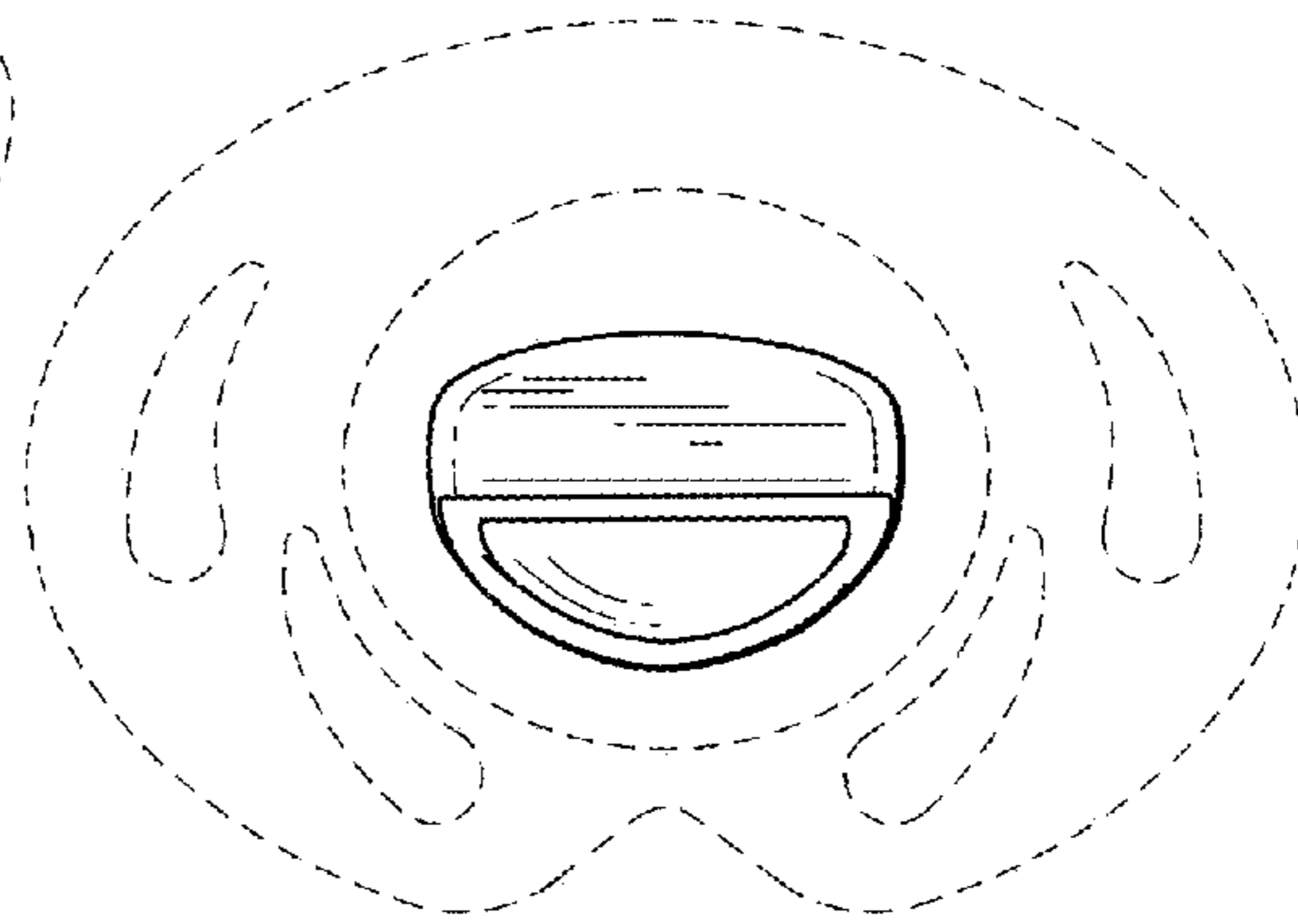


FIG. 3

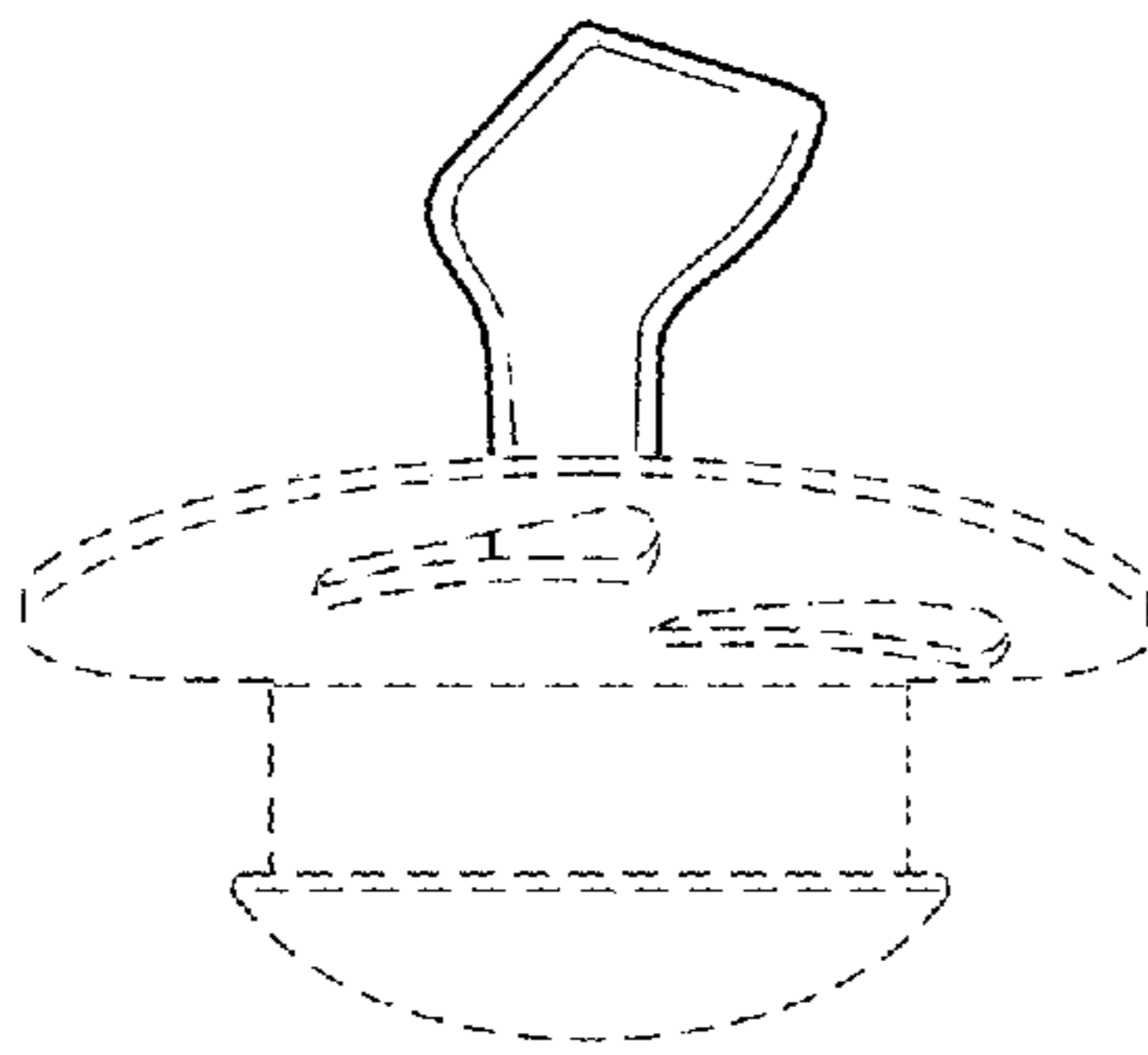


FIG. 4

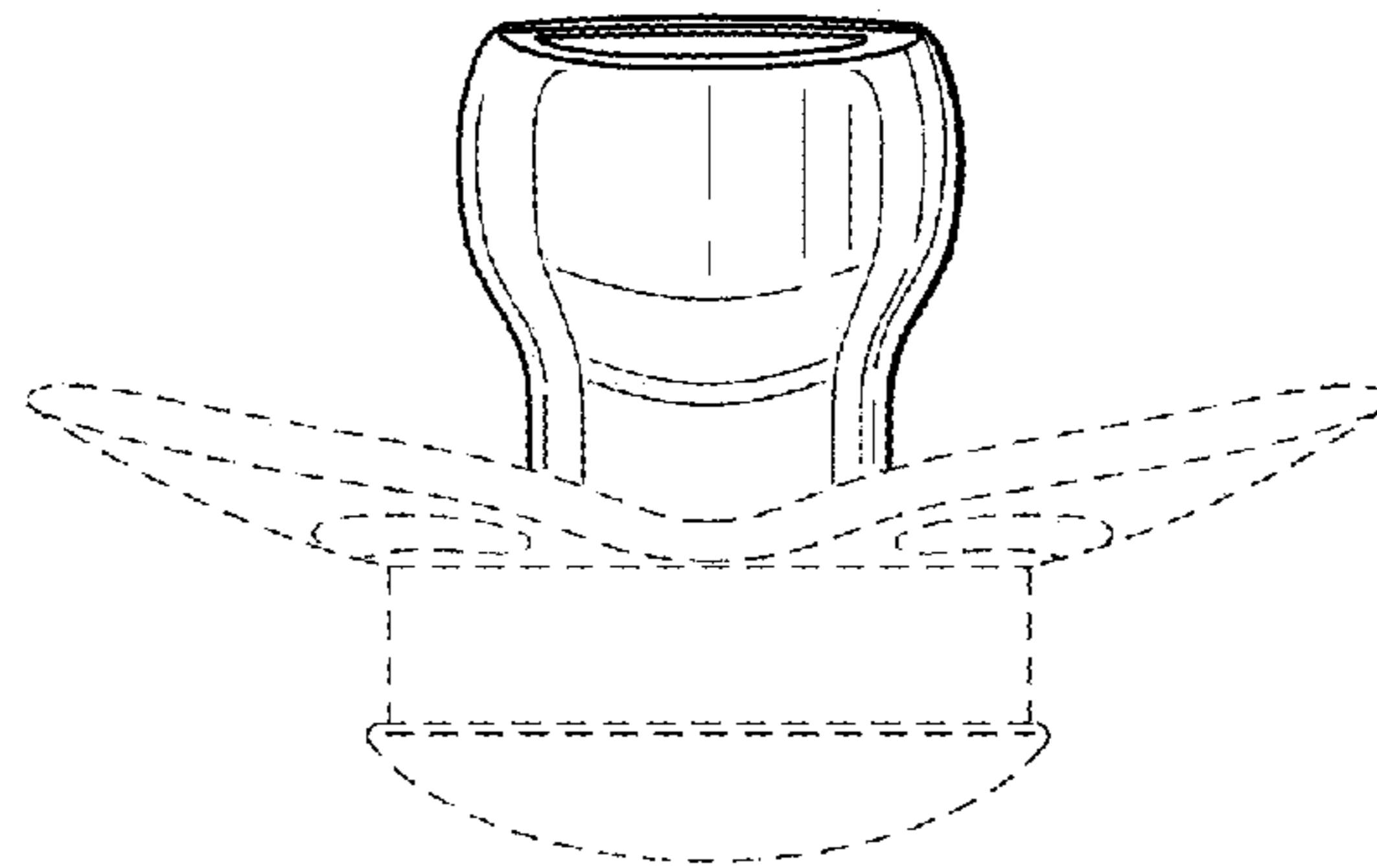


FIG. 5

