



US00D690821S

(12) **United States Design Patent**
Slone

(10) **Patent No.:** **US D690,821 S**

(45) **Date of Patent:** **** Oct. 1, 2013**

(54) **BILAMINATE MATRIX BAND**

(76) Inventor: **Charles E. Slone**, San Juan Capistrano,
CA (US)

(**) Term: **14 Years**

(21) Appl. No.: **29/422,551**

(22) Filed: **May 22, 2012**

Related U.S. Application Data

(63) Continuation-in-part of application No. 11/217,932,
filed on Sep. 1, 2005, now abandoned, which is a
continuation-in-part of application No. 10/802,187,
filed on Mar. 18, 2004, now abandoned.

(51) **LOC (9) Cl.** **24-02**

(52) **U.S. Cl.**
USPC **D24/181**

(58) **Field of Classification Search**
USPC D24/155-156, 176, 180-182, 189;
128/859, 861; 433/38-40, 147-149, 155,
433/176, 216
See application file for complete search history.

(56) **References Cited**

U.S. PATENT DOCUMENTS

3,145,472 A * 8/1964 Tofflemire 433/39
3,842,505 A * 10/1974 Eames 433/39

4,553,937 A * 11/1985 Ropers 433/39
5,380,198 A * 1/1995 Suhonen 433/39
6,234,793 B1 * 5/2001 Brattesani et al. 433/39
D595,414 S * 6/2009 McDonald D24/181
2005/0089813 A1 * 4/2005 Slone 433/39
2005/0089814 A1 * 4/2005 Slone 433/39
2005/0287491 A1 * 12/2005 Slone 433/39
2013/0034827 A1 * 2/2013 McDonald 433/39

* cited by examiner

Primary Examiner — Wan Laymon

(74) *Attorney, Agent, or Firm* — Patent Law & Venture
Group; Gene Scott

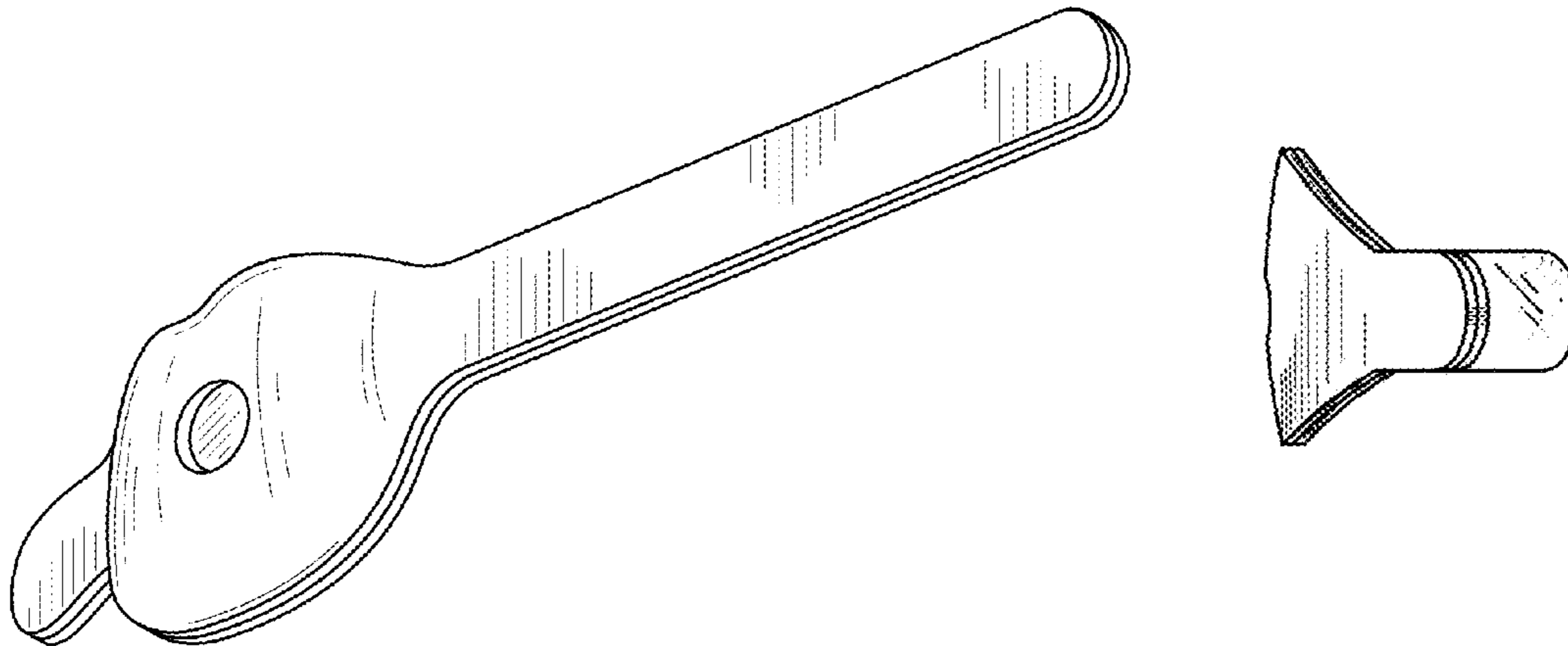
(57) **CLAIM**

The ornamental design for a bilaminate matrix band, as
shown and described.

DESCRIPTION

FIG. 1 is a perspective view of my new design showing a front
surface thereof;
FIG. 2 is a front elevational view thereof;
FIG. 3 is a right side elevational view thereof;
FIG. 4 is a left side elevational view thereof;
FIG. 5 is a top edge view thereof.
FIG. 6 is a rear elevational view thereof showing a transparent
surface; and,
FIG. 7 is a bottom edge view thereof.

1 Claim, 3 Drawing Sheets



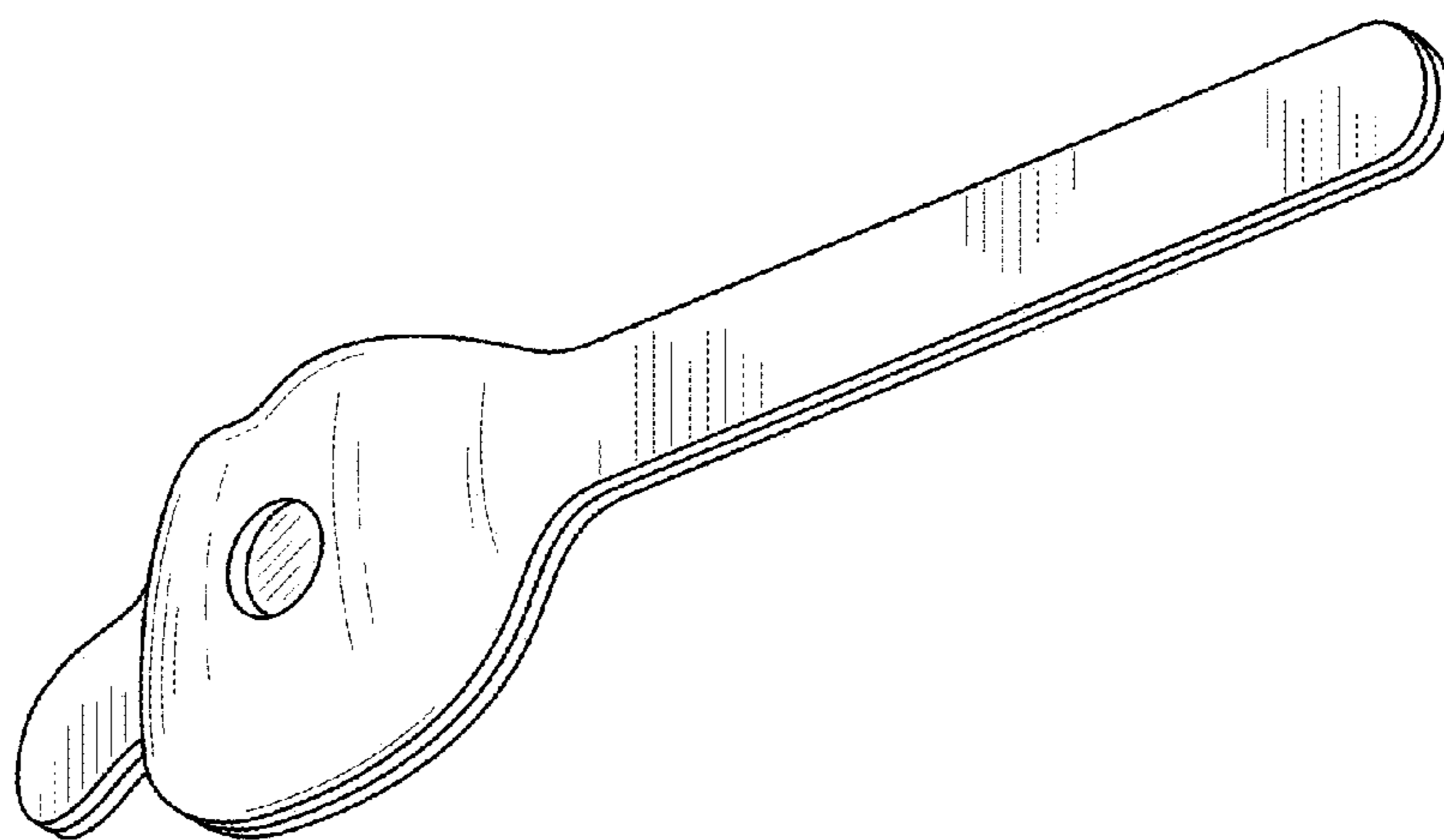


FIG. 1

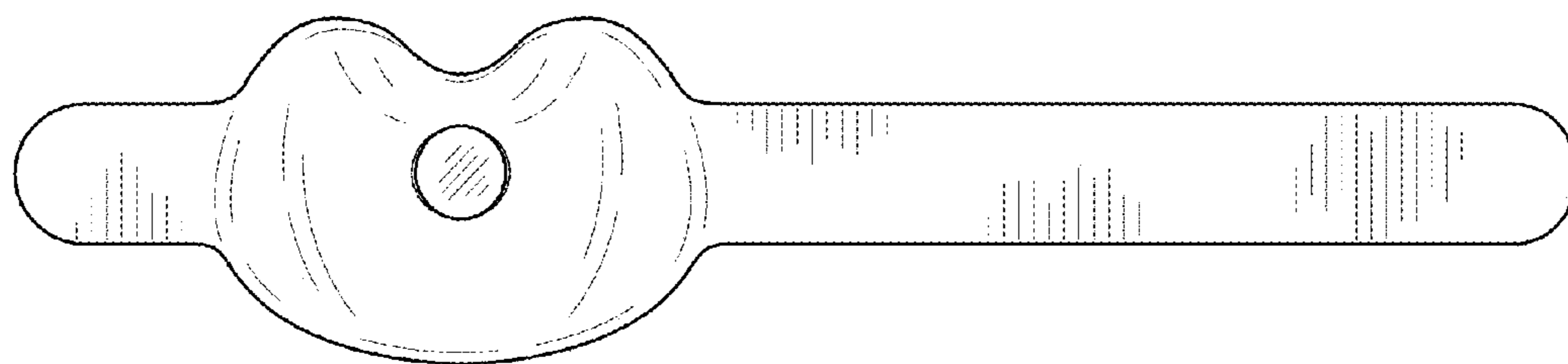


FIG. 2

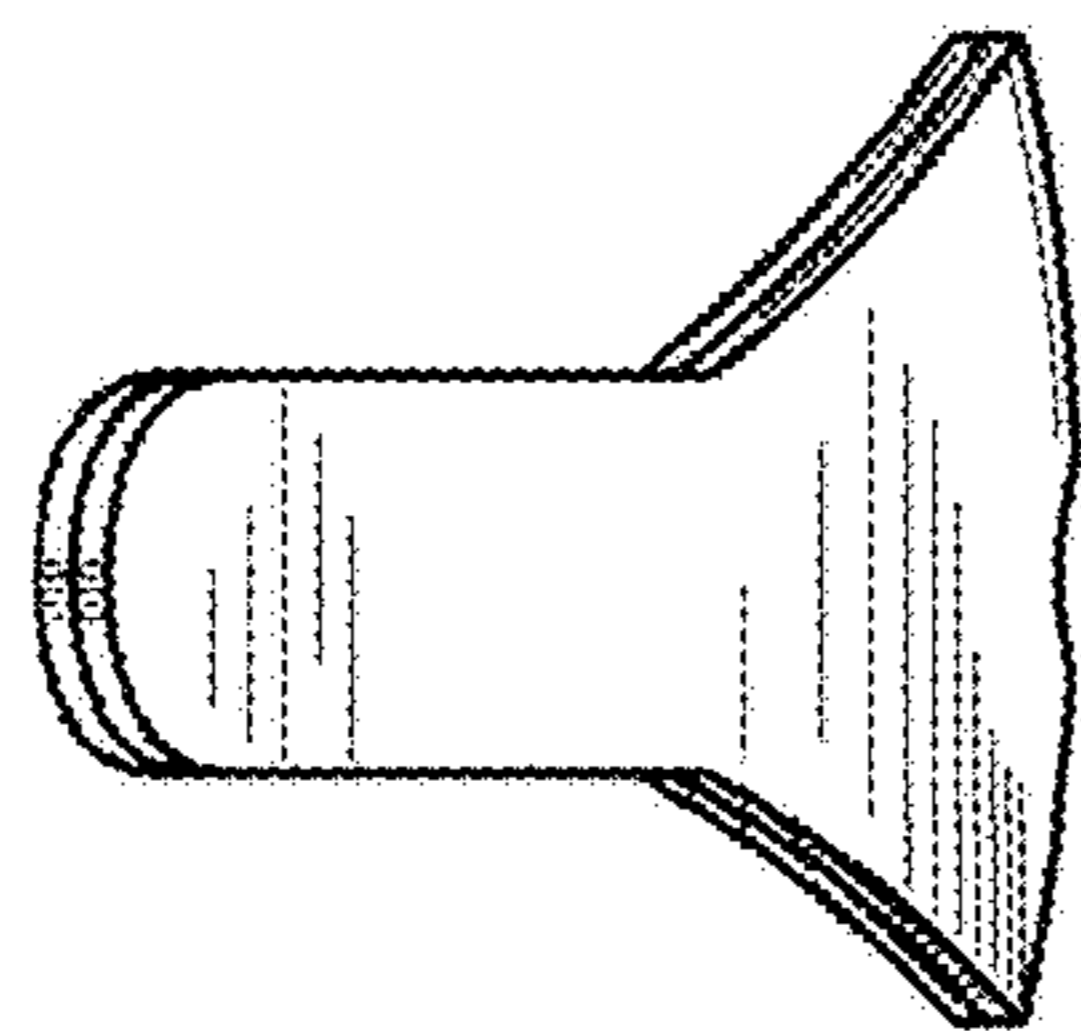


FIG. 3

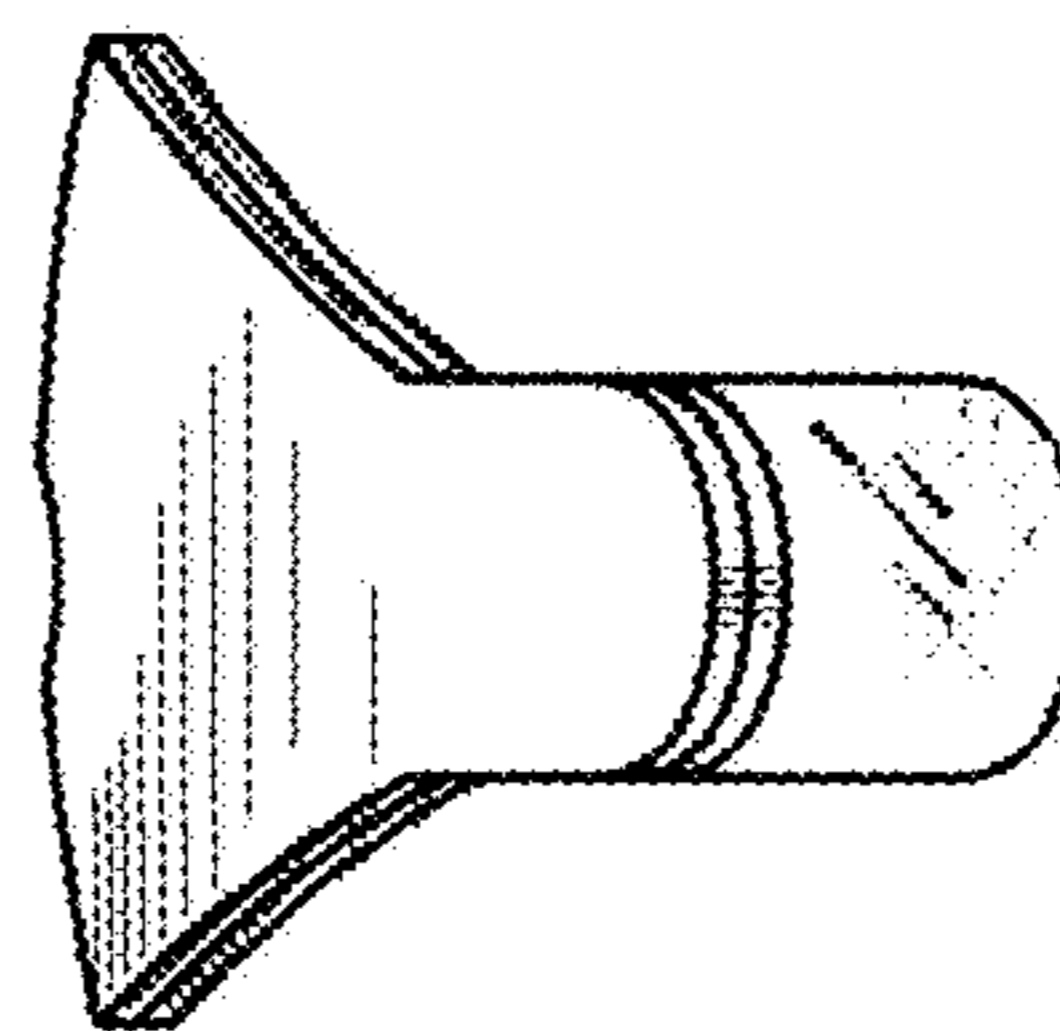


FIG. 4

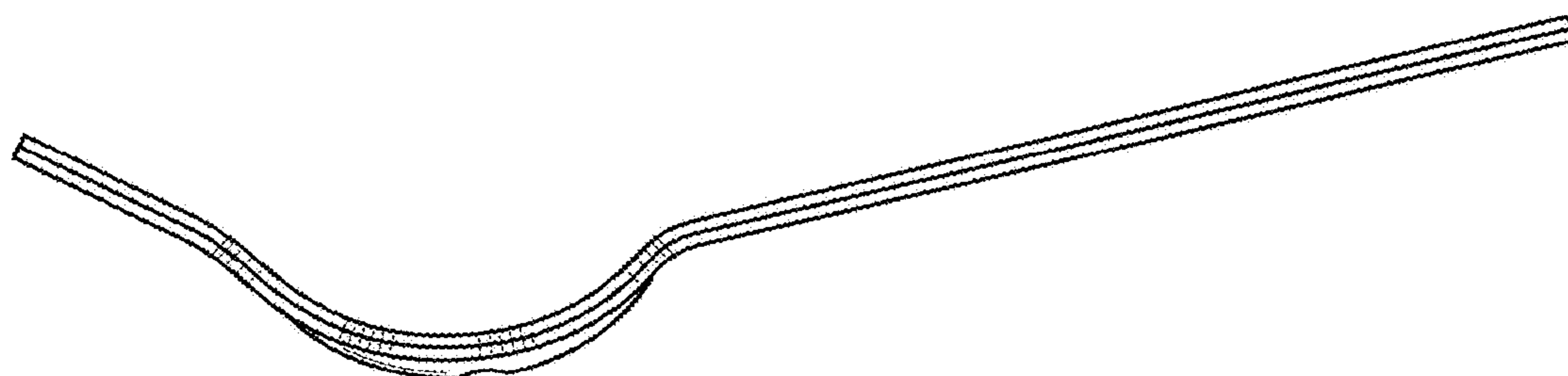


FIG. 5

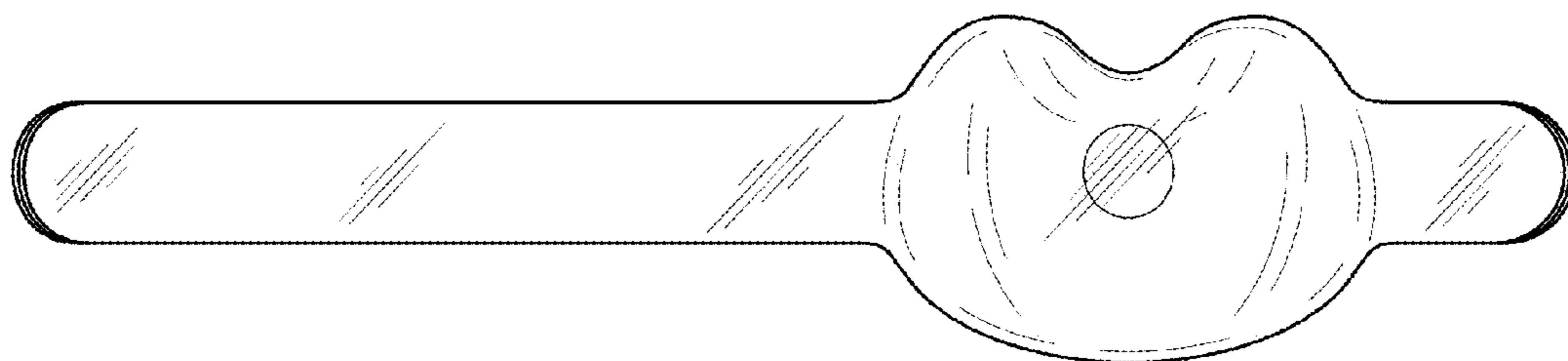


FIG. 6

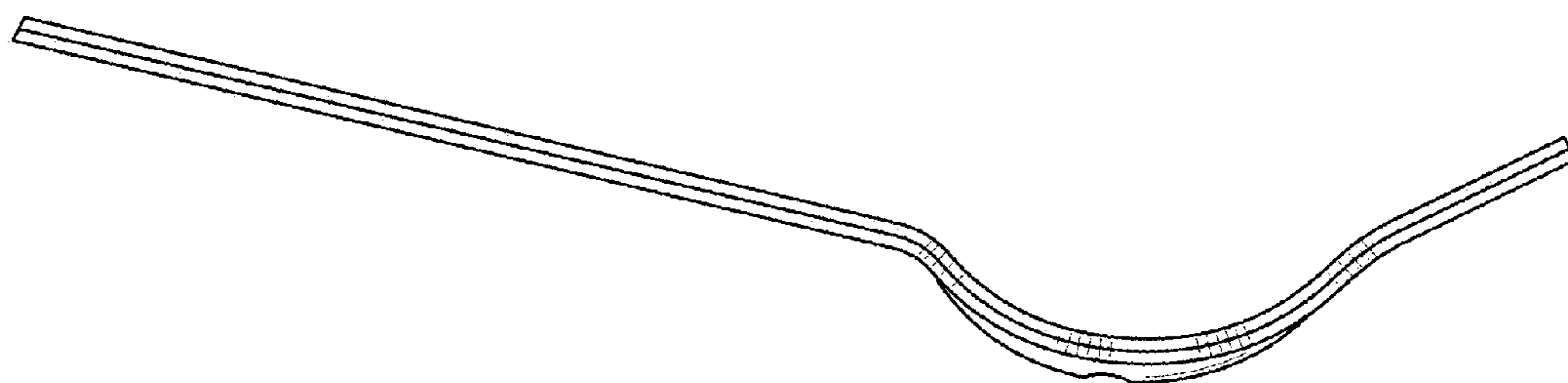


FIG. 7