



US00D690819S

(12) **United States Design Patent**
Svensson

(10) **Patent No.:** **US D690,819 S**

(45) **Date of Patent:** **** *Oct. 1, 2013**

(54) **POWER HEARING AID**

(75) Inventor: **Patric Svensson**, Kärna (SE)

(73) Assignee: **Oticon Medical A/S**, Smorum (DK)

(*) Notice: This patent is subject to a terminal disclaimer.

(**) Term: **14 Years**

(21) Appl. No.: **29/381,530**

(22) Filed: **Dec. 20, 2010**

(30) **Foreign Application Priority Data**

Jun. 21, 2010 (EM) 001722299-0002

(51) **LOC (9) Cl.** **24-99**

(52) **U.S. Cl.**
USPC **D24/174**

(58) **Field of Classification Search**
USPC D24/173-175, 151; D14/205, 223,
D14/224, 249, 206, 225, 226; 381/23.1,
381/312, 322-324, 328, 330, 380, 381; 181/135
See application file for complete search history.

(56) **References Cited**

U.S. PATENT DOCUMENTS

D340,522 S * 10/1993 Silbersky D24/174
5,659,156 A * 8/1997 Mauney et al. 181/130

D434,499 S * 11/2000 Borowsky D24/174
D455,835 S * 4/2002 Anderson et al. D24/174
D472,889 S * 4/2003 Tanaka et al. D14/206
6,688,421 B2 * 2/2004 Dyer et al. 181/130
D550,657 S * 9/2007 Gan et al. D14/223
D596,295 S 7/2009 Hedstrom et al.
D612,502 S * 3/2010 Bailey et al. D24/174
D612,943 S * 3/2010 Bailey et al. D24/174
D616,874 S * 6/2010 Matsuoka D14/223
2009/0192345 A1 * 7/2009 Westerkull et al. 600/25

* cited by examiner

Primary Examiner — Anhdao Doan

(74) *Attorney, Agent, or Firm* — Birch, Stewart, Kolasch & Birch, LLP

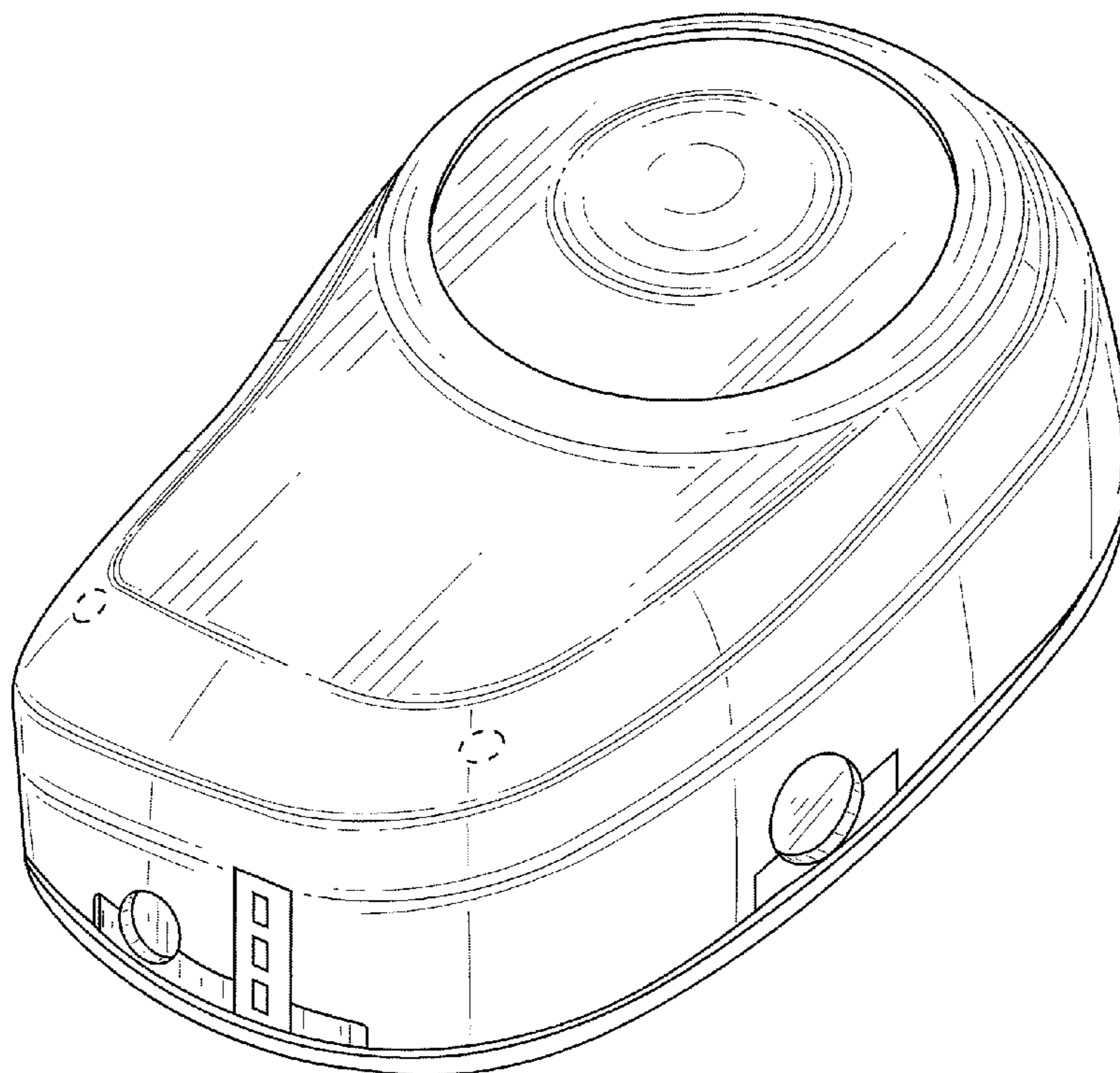
(57) **CLAIM**

The ornamental design for a power hearing aid, as shown and described.

DESCRIPTION

FIG. 1 is a front view of the power hearing aid;
FIG. 2 is a right side view of the power hearing aid;
FIG. 3 is a bottom view of the power hearing aid;
FIG. 4 is a left side view of the power hearing aid;
FIG. 5 is a top view of the power hearing aid;
FIG. 6 is a bottom view of the power hearing aid; and,
FIG. 7 is a perspective view of the power hearing aid.
The broken lines in the drawing views are included for the purpose of illustrating portions of the power hearing aid that form no part of the claimed design.

1 Claim, 7 Drawing Sheets



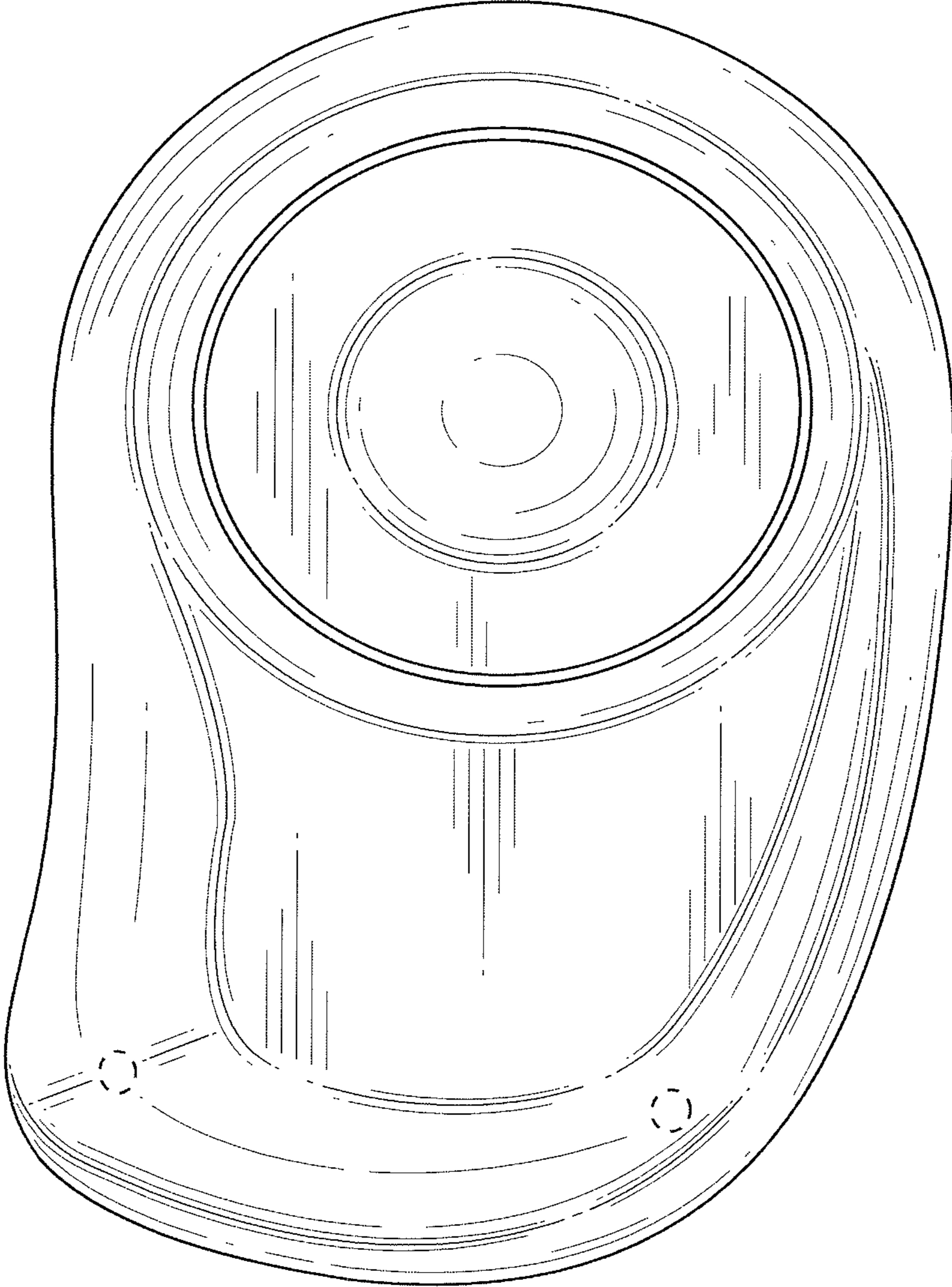


FIG. 1

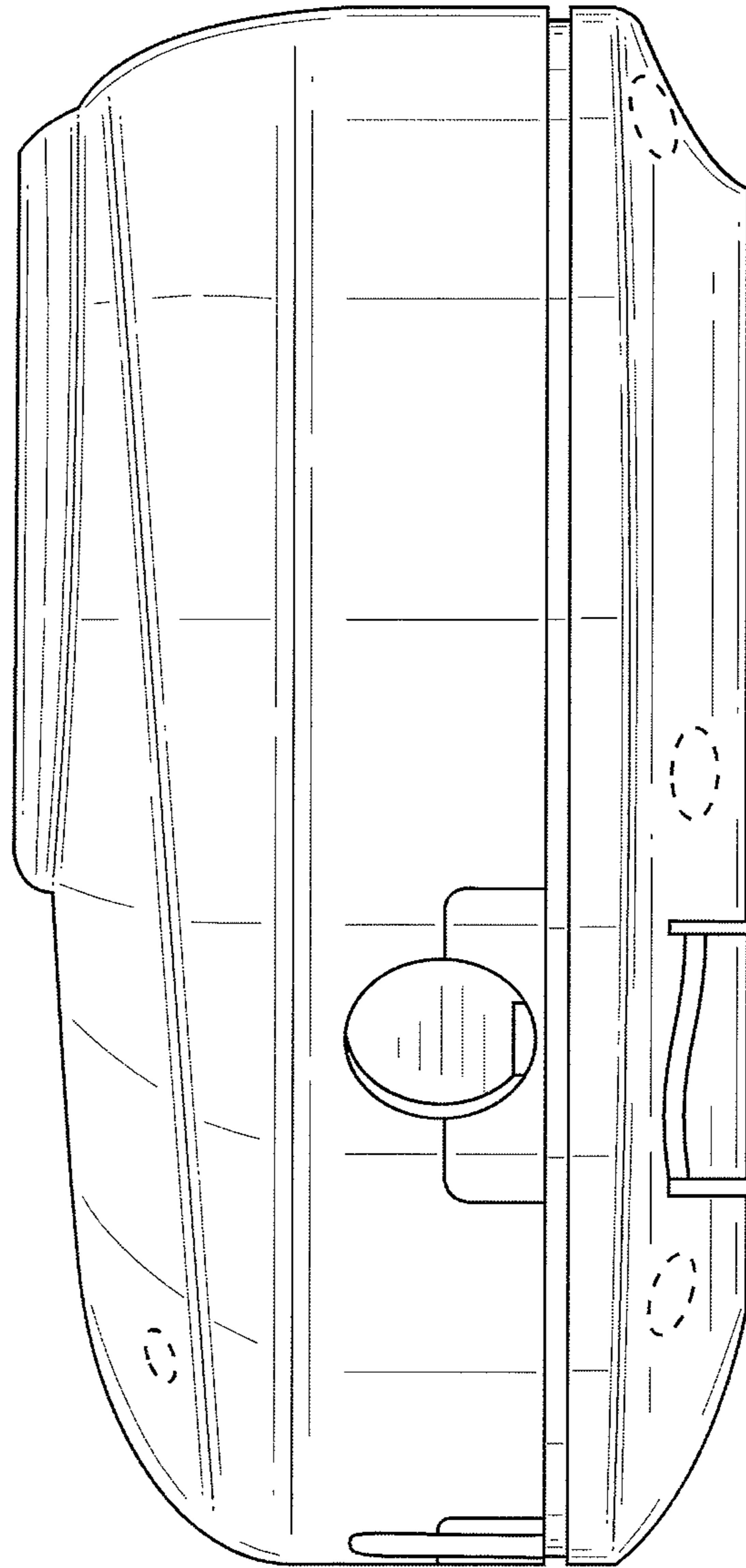


FIG. 2

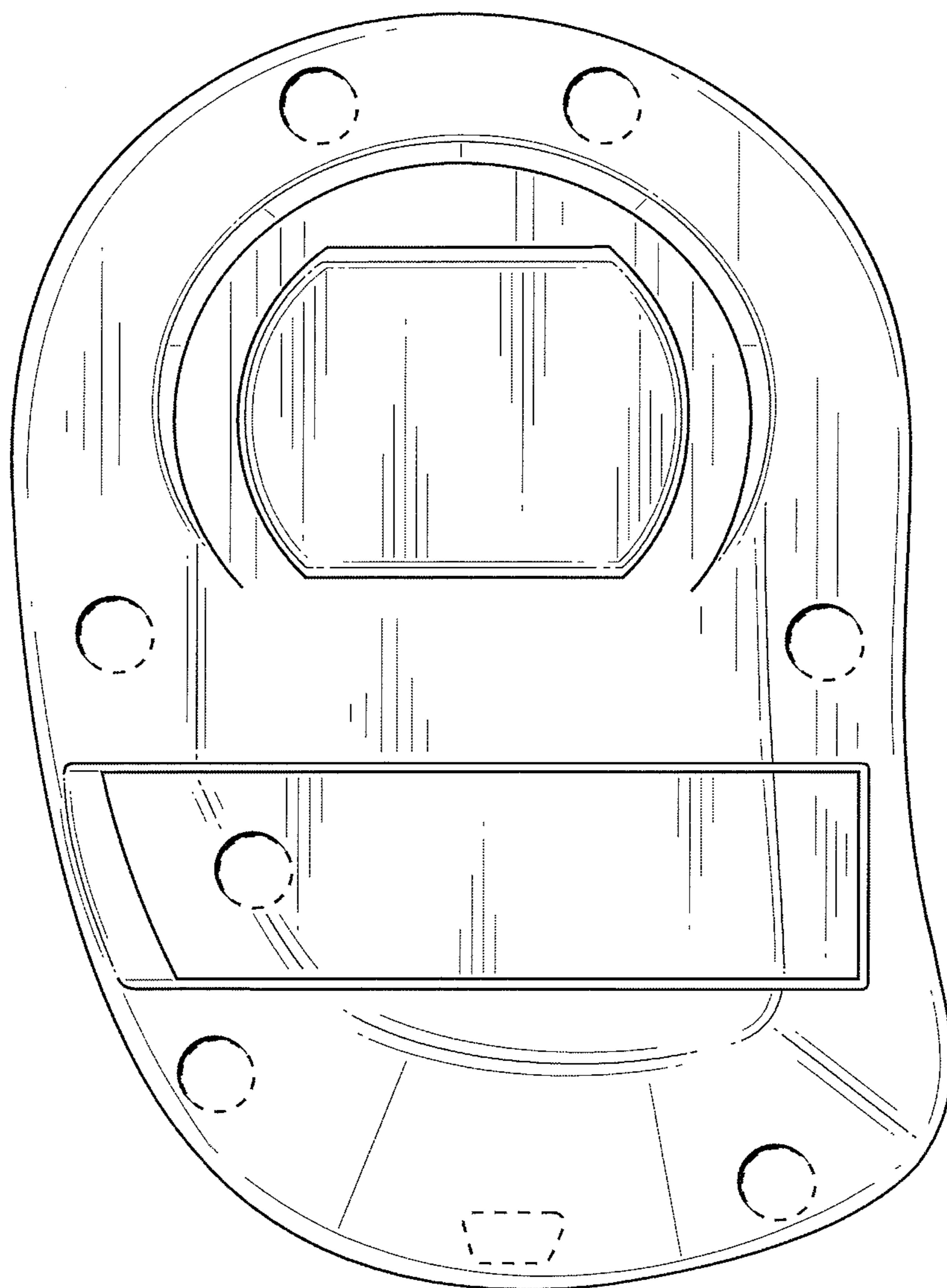


FIG. 3

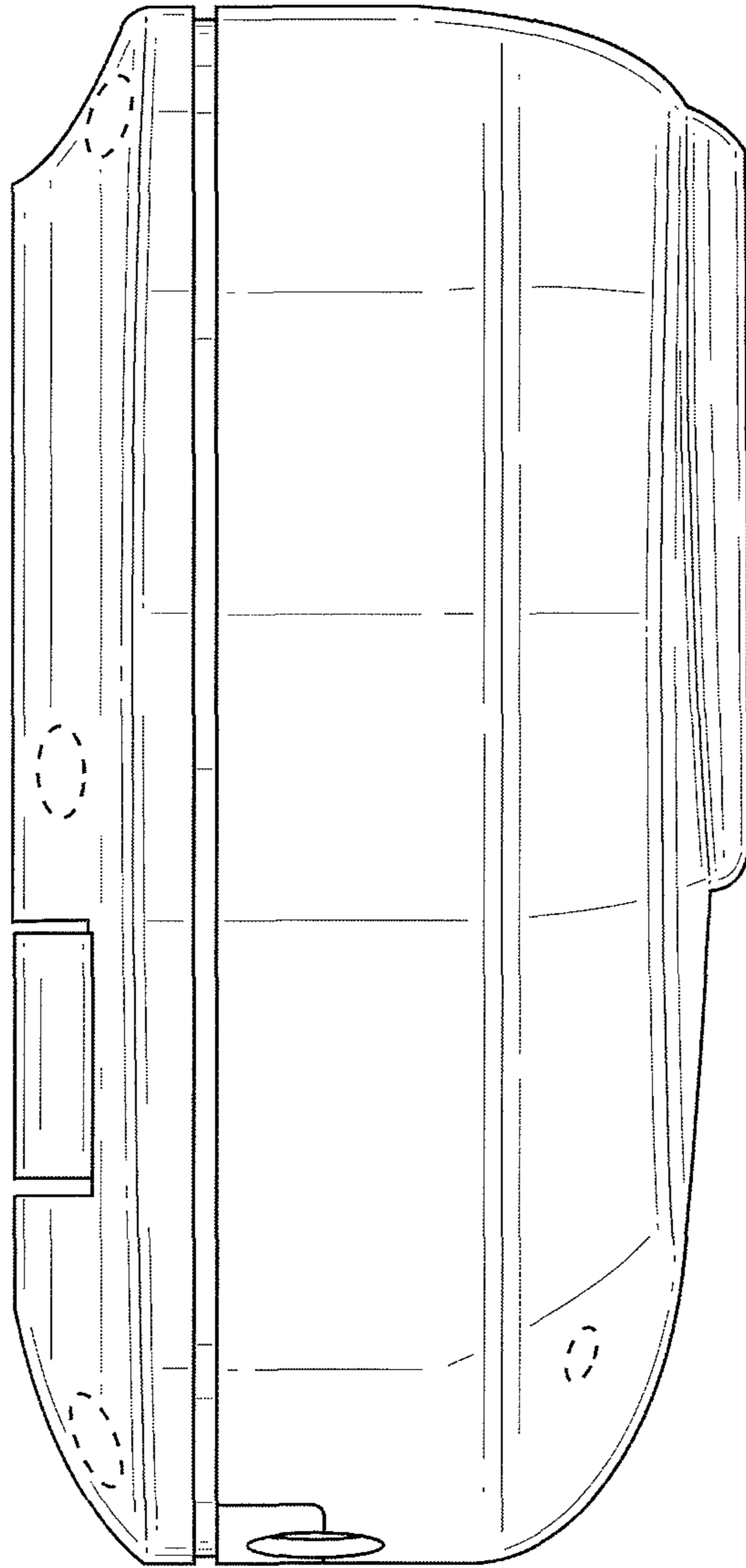


FIG. 4

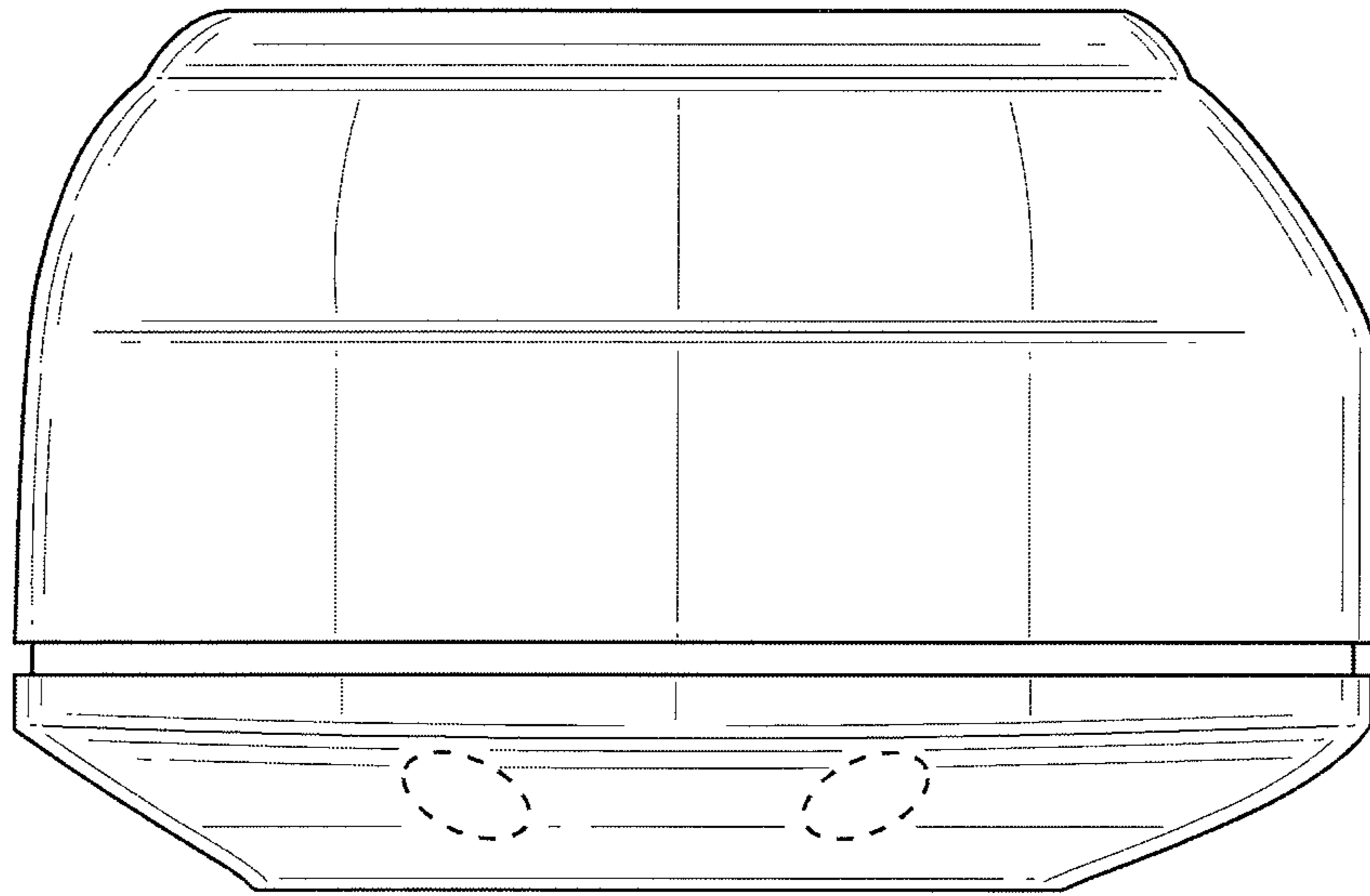


FIG. 5

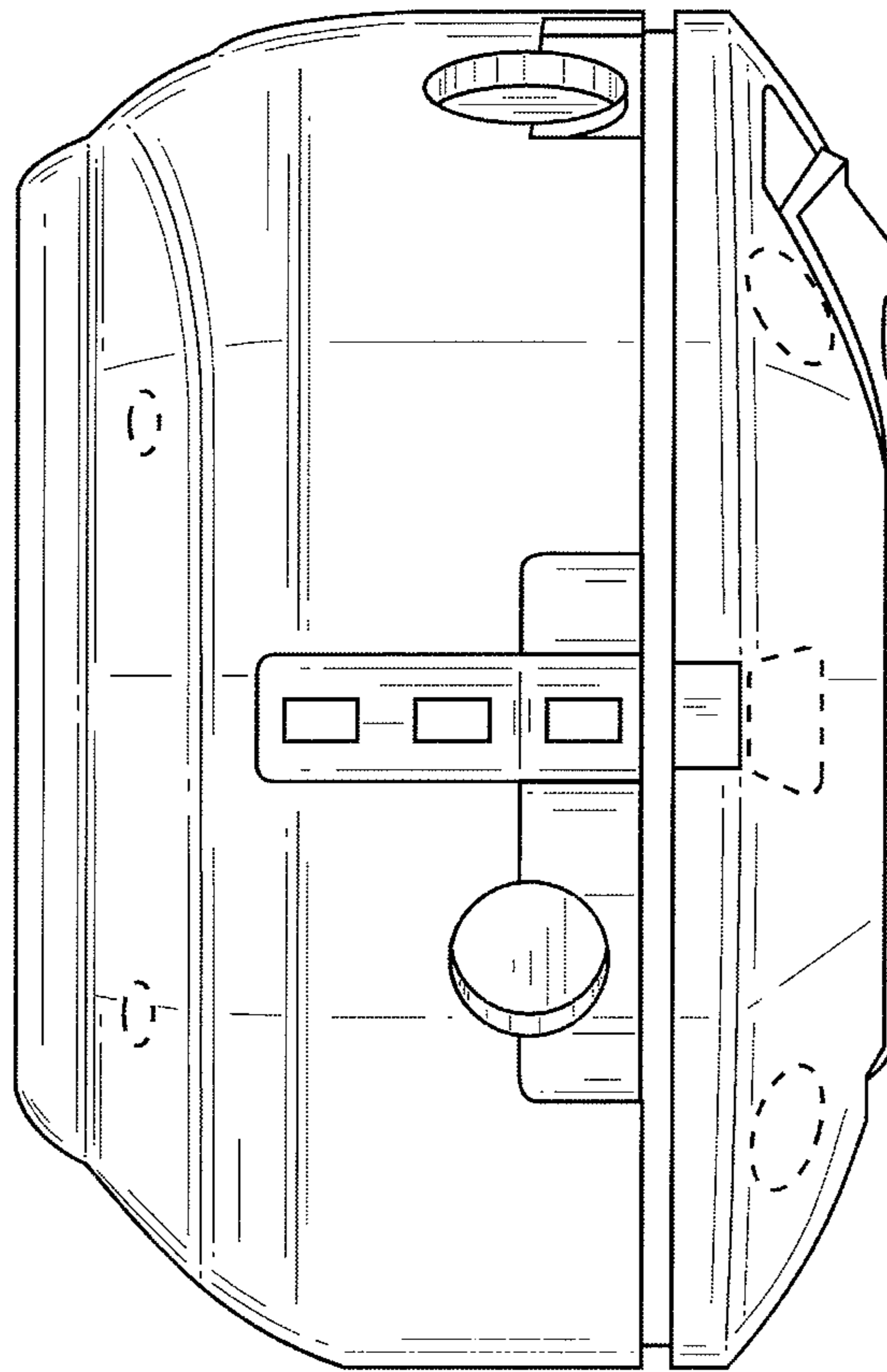


FIG. 6

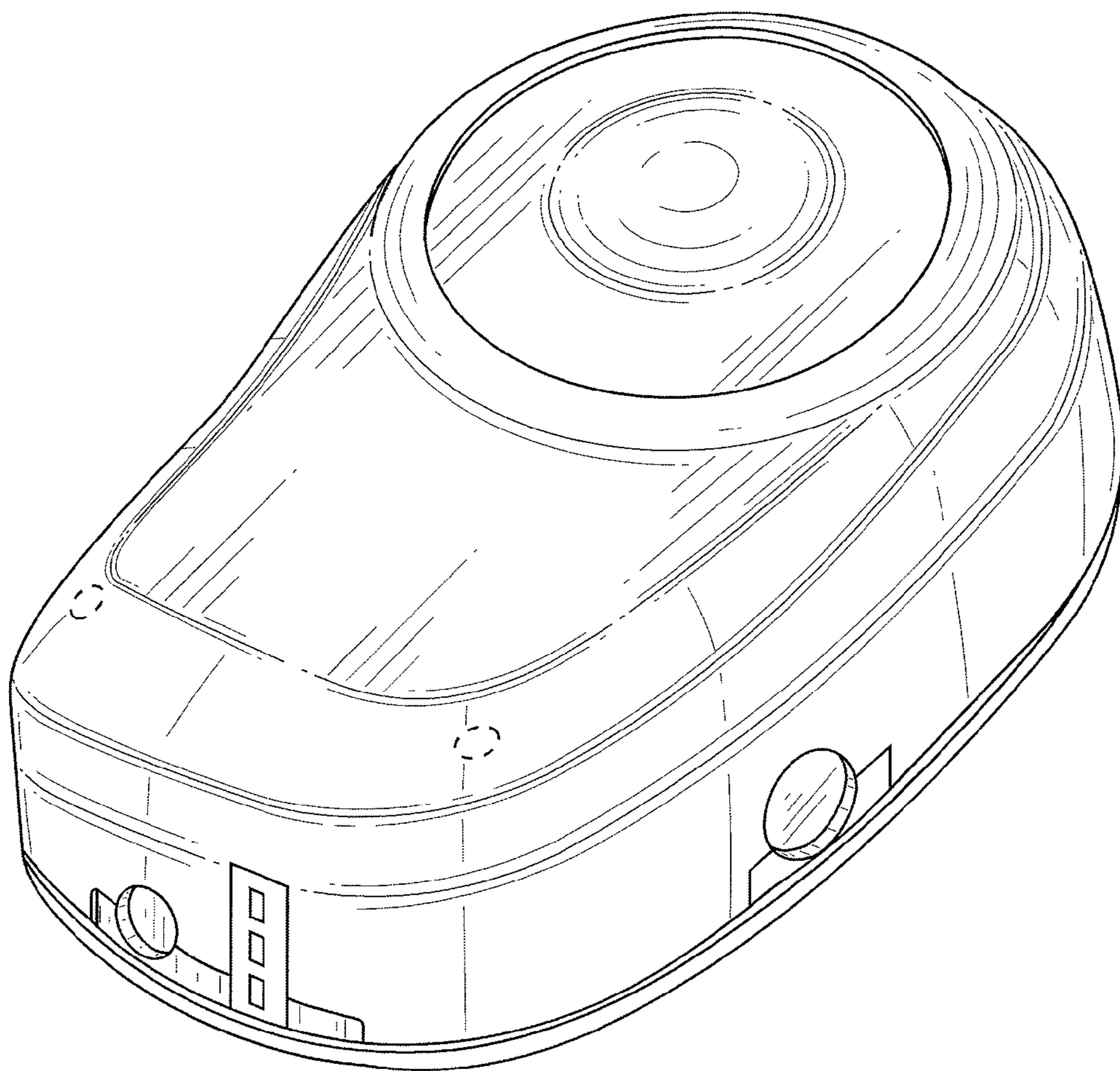


FIG. 7