

US00D690818S

(12) **United States Design Patent**
Pastrick et al.

(10) **Patent No.:** **US D690,818 S**
(45) **Date of Patent:** **** Oct. 1, 2013**

(54) **AUTOMATIC EXTERNAL DEFIBRILLATOR TRAINING DEVICE**

(75) Inventors: **John J. Pastrick**, University Heights, OH (US); **Christopher E. Bryniarski**, South Euclid, OH (US); **Mark E. Cook**, Stow, OH (US); **Timothy E. Lint**, North Royalton, OH (US); **Daniel R. Moon**, Painesville, OH (US)

(73) Assignee: **Prestan Products LLC**, Mayfield Village, OH (US)

(**) Term: **14 Years**

(21) Appl. No.: **29/425,381**

(22) Filed: **Jun. 22, 2012**

(51) **LOC (9) Cl.** **24-01**

(52) **U.S. Cl.**
USPC **D24/167**

(58) **Field of Classification Search**
USPC D24/164-168, 186, 187, 107; 607/5-8, 607/10, 36, 37
See application file for complete search history.

(56) **References Cited**

U.S. PATENT DOCUMENTS

5,662,690 A * 9/1997 Cole et al. 607/5
D411,620 S 6/1999 Lindseth et al.
D414,266 S * 9/1999 Pastrick et al. D24/168
D441,450 S * 5/2001 Salvatori et al. D24/167

D466,215 S 11/2002 Lindseth et al.
D471,279 S * 3/2003 Locke et al. D24/167
D484,981 S * 1/2004 Faller et al. D24/167
D485,360 S * 1/2004 Faller et al. D24/167
D490,156 S * 5/2004 Fischer et al. D24/167
D499,183 S * 11/2004 Vaisnys et al. D24/167
D548,346 S * 8/2007 Vaisnys et al. D24/167
D551,766 S * 9/2007 Bertagnole et al. D24/167
D625,013 S * 10/2010 Kawamura et al. D24/167
2009/0254136 A1 * 10/2009 Powers 607/5

* cited by examiner

Primary Examiner — Anhdao Doan

(57) **CLAIM**

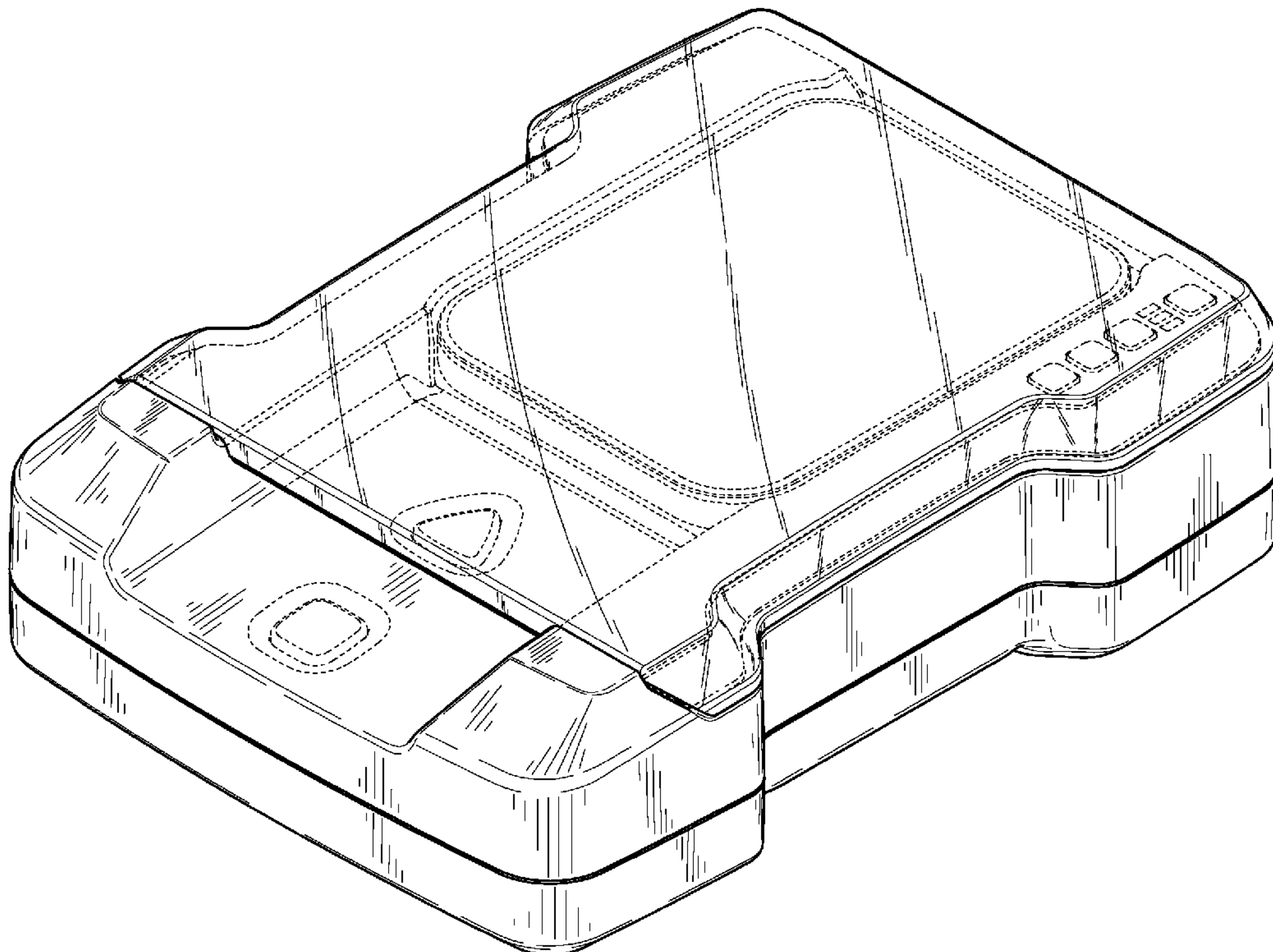
The ornamental design for an automatic external defibrillator training device, as shown and described.

DESCRIPTION

FIG. 1 is a top perspective of an automatic external defibrillator training device showing our new design; FIG. 2 is a bottom perspective view thereof; FIG. 3 is a side view thereof; FIG. 4 is a front end view thereof; FIG. 5 is a rear end view thereof; FIG. 6 is a top view thereof; and, FIG. 7 is a bottom view thereof.

The broken lines in the drawings are included for the purpose of illustrating portions of the defibrillator that form no part of the claimed design.

1 Claim, 5 Drawing Sheets



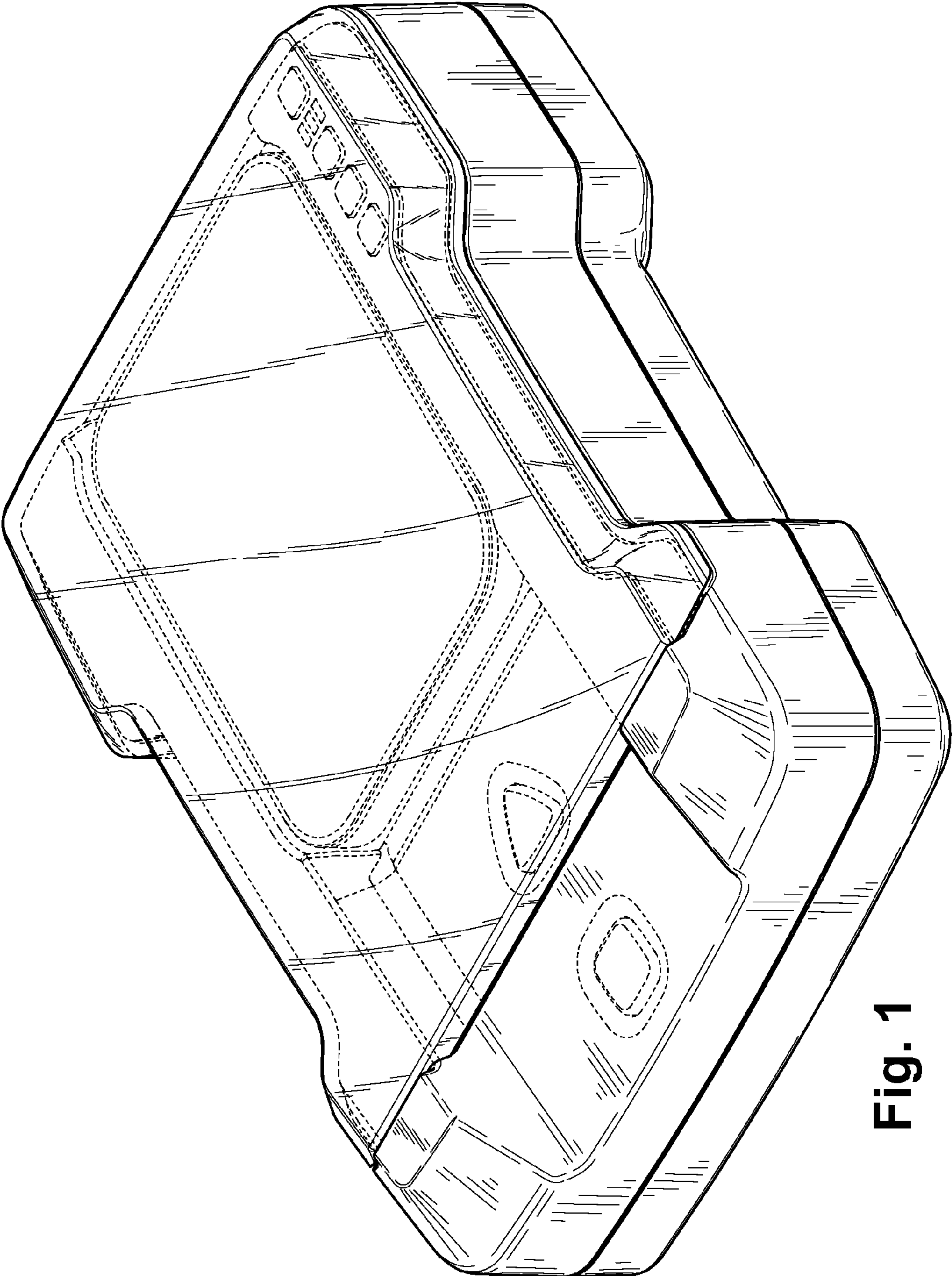


Fig. 1

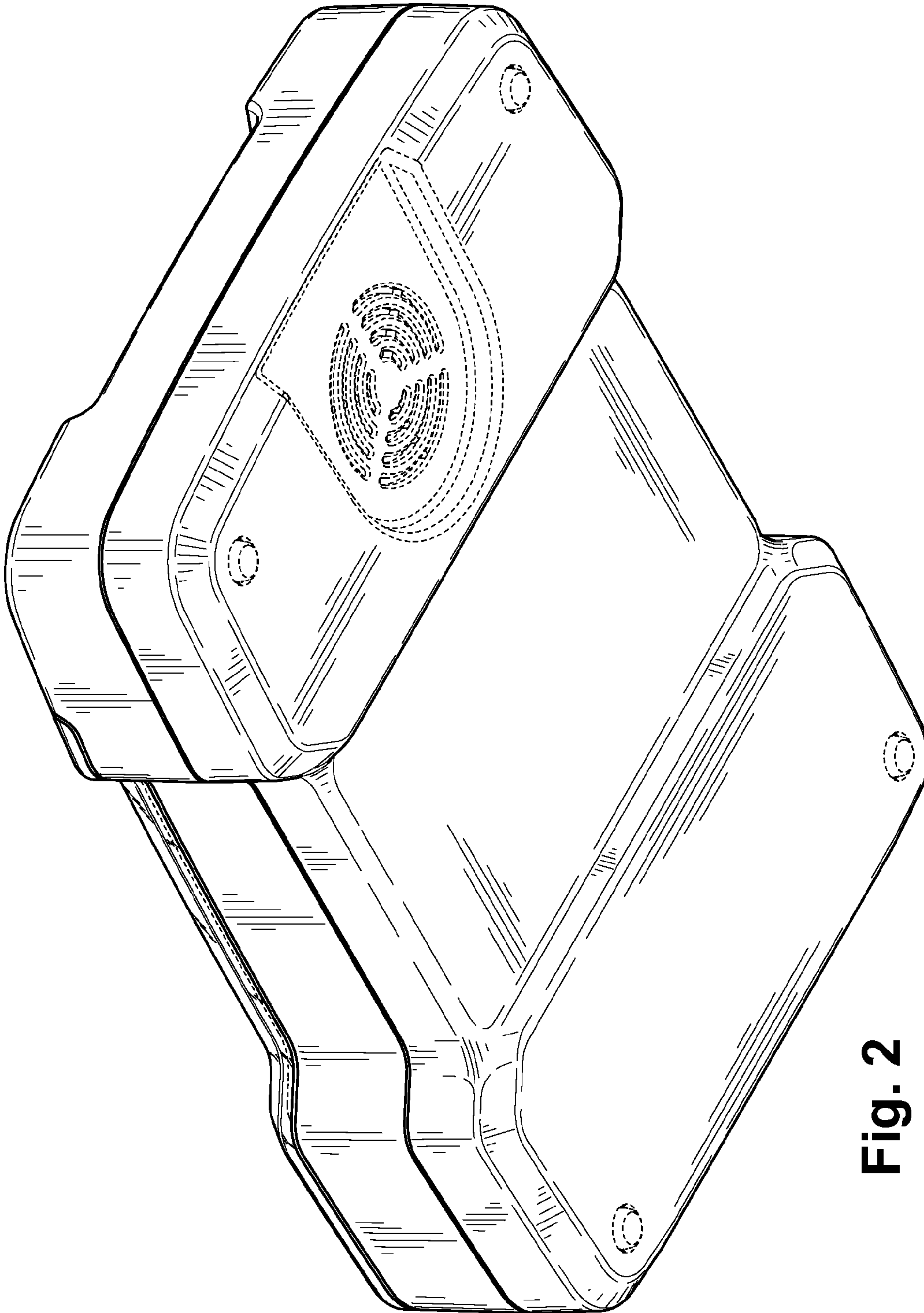


Fig. 2

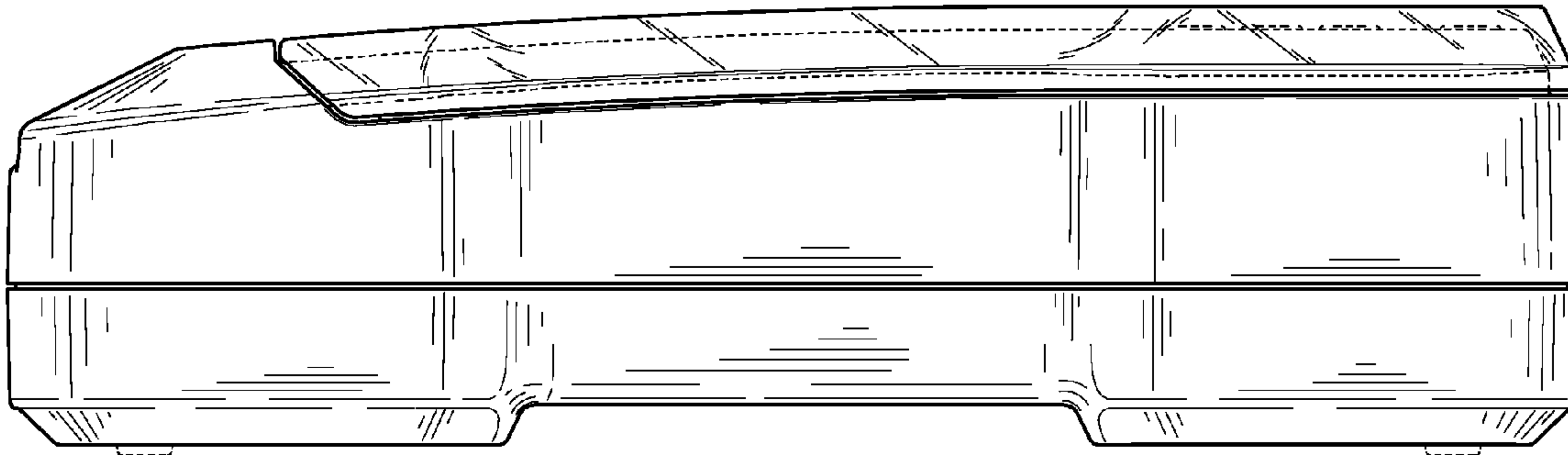


Fig. 3

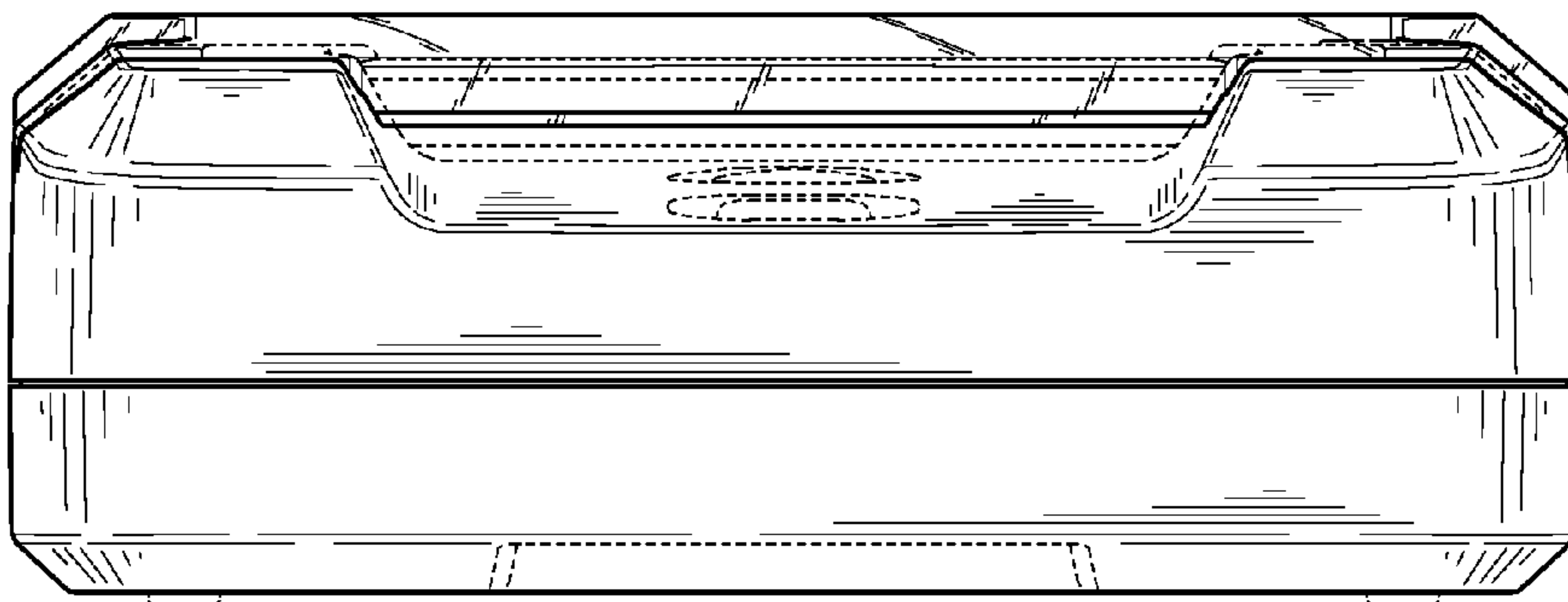


Fig. 4

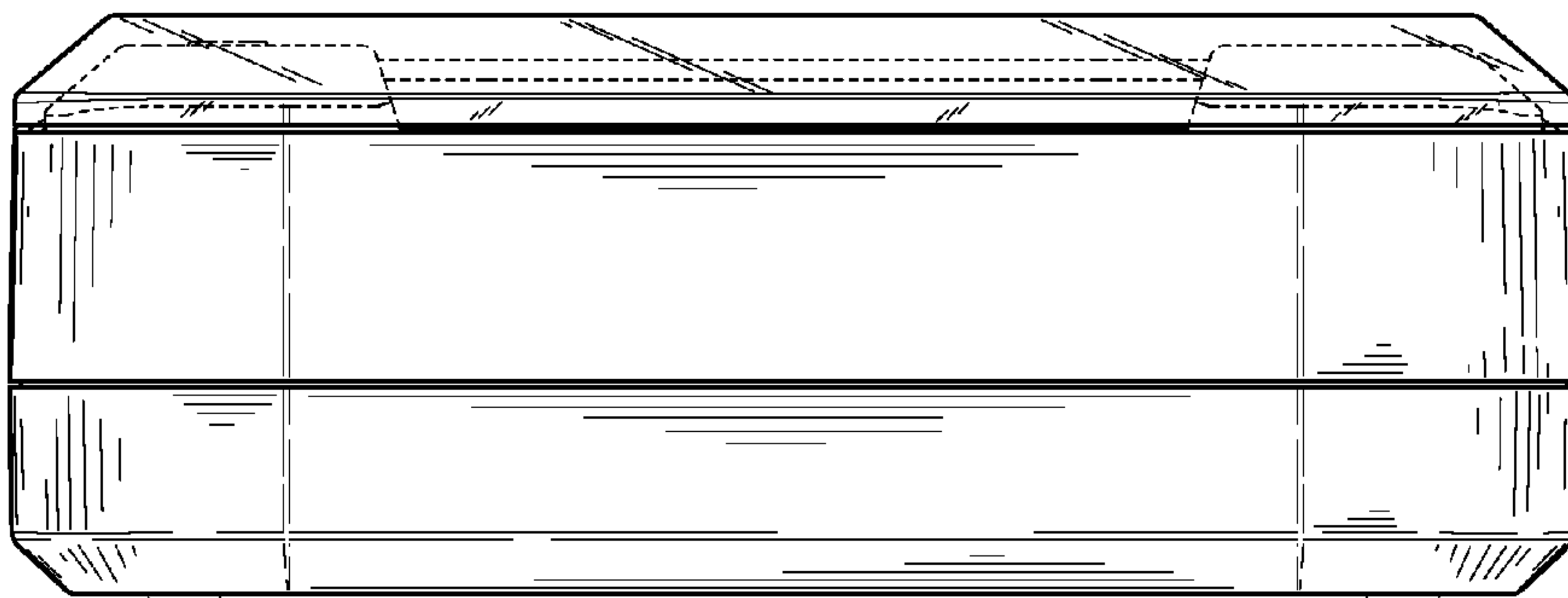


Fig. 5

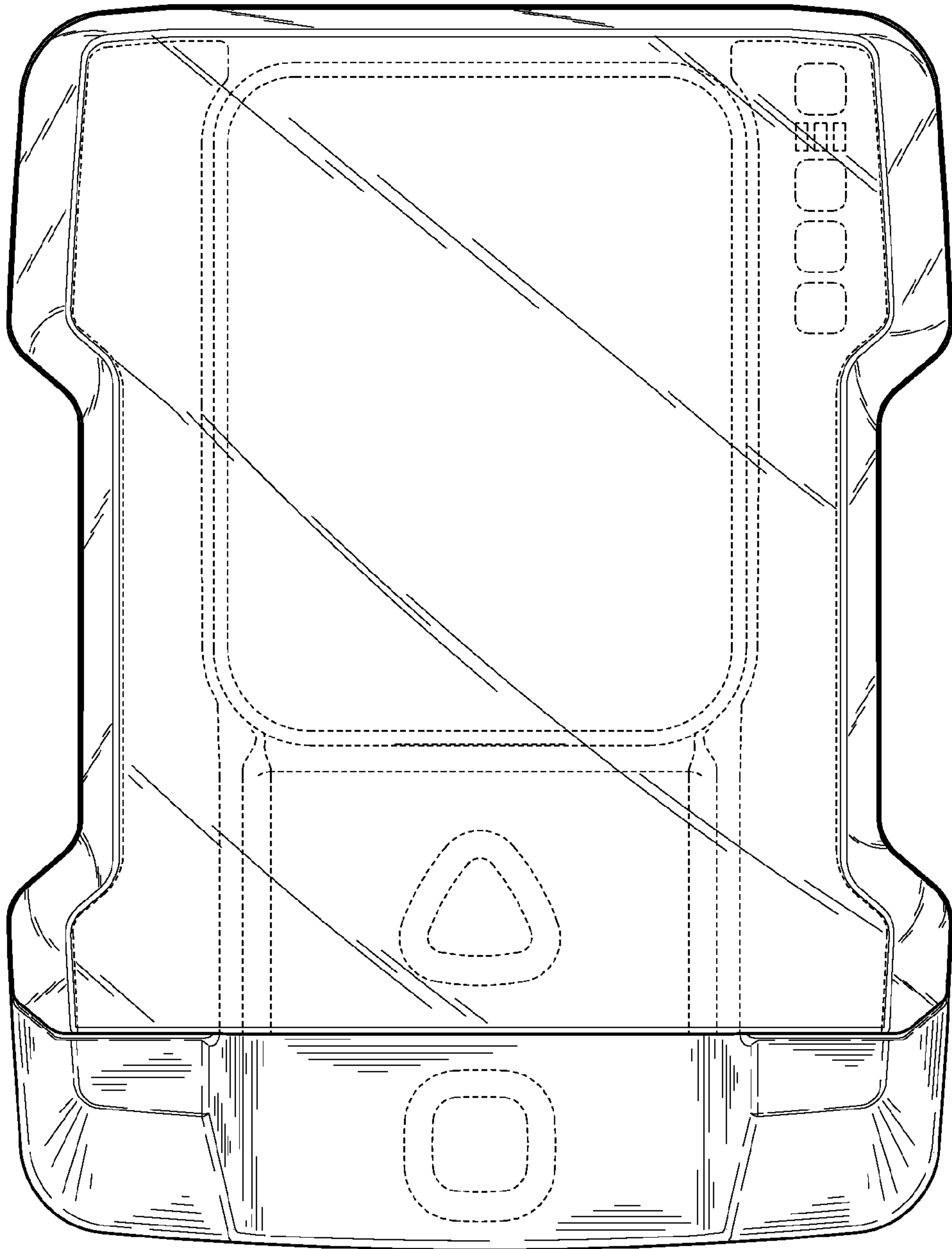


Fig. 6

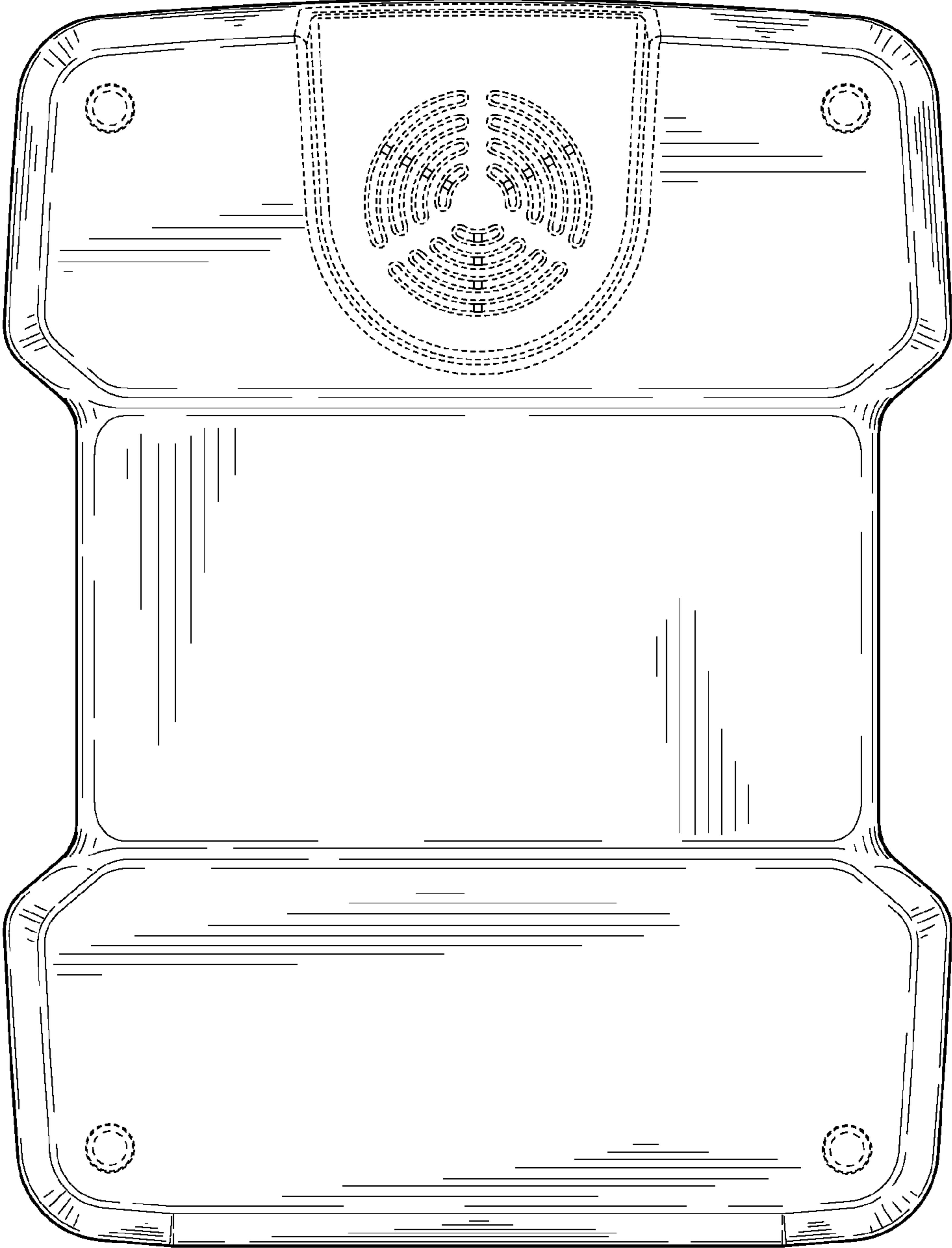


Fig. 7