



US00D690814S

(12) **United States Design Patent**
Bizzell et al.

(10) **Patent No.:** **US D690,814 S**
(45) **Date of Patent:** **** Oct. 1, 2013**

(54) **HANDGRIP**

(75) Inventors: **Daniel Lee Bizzell**, Charlotte, NC (US);
Arthur Allen Henson, Charlotte, NC
(US); **Tru Nguyen**, Charlotte, NC (US)

(73) Assignee: **H & M Innovations, LLC**, Wilmington,
NC (US)

(**) Term: **14 Years**

(21) Appl. No.: **29/418,425**

(22) Filed: **Apr. 16, 2012**

(51) **LOC (9) Cl.** **23-01**

(52) **U.S. Cl.**
USPC **D24/162**

(58) **Field of Classification Search**

USPC D24/137, 138, 140, 150, 157, 225,
D24/160, 162, 166, 172, 174, 177, 183, 185,
D24/186, 199, 216, 227, 230, 231, 232, 234,
D24/454; 210/456, 454, 174; 351/200–203,
351/218, 221, 224, 243, 246, 239; D23/209

See application file for complete search history.

(56) **References Cited**

U.S. PATENT DOCUMENTS

D506,551 S * 6/2005 Booth et al. D24/162
D593,740 S * 6/2009 McClaskie D2/957
7,708,147 B2 * 5/2010 Attassery et al. 210/433.1
D622,968 S * 9/2010 Mercer et al. D5/59

8,123,942 B2 * 2/2012 Assion 210/315
2009/0206021 A1 * 8/2009 Davies 210/232
2012/0330220 A1 * 12/2012 Hensler et al. 604/22
2013/0056429 A1 * 3/2013 Schomburg 210/808

OTHER PUBLICATIONS

<http://www.google.com/lessthangreaterthansymbols>.*

* cited by examiner

Primary Examiner — Robert M Spear

Assistant Examiner — Rhea Shields

(74) *Attorney, Agent, or Firm* — Tillman Wright, PLLC;
Chad D. Tillman; Jeremy C. Doerre

(57) **CLAIM**

The ornamental design for a handgrip, as shown.

DESCRIPTION

FIG. 1 is a perspective view of a handgrip in accordance with a preferred embodiment of the invention.

FIG. 2 is a top view of the handgrip of FIG. 1.

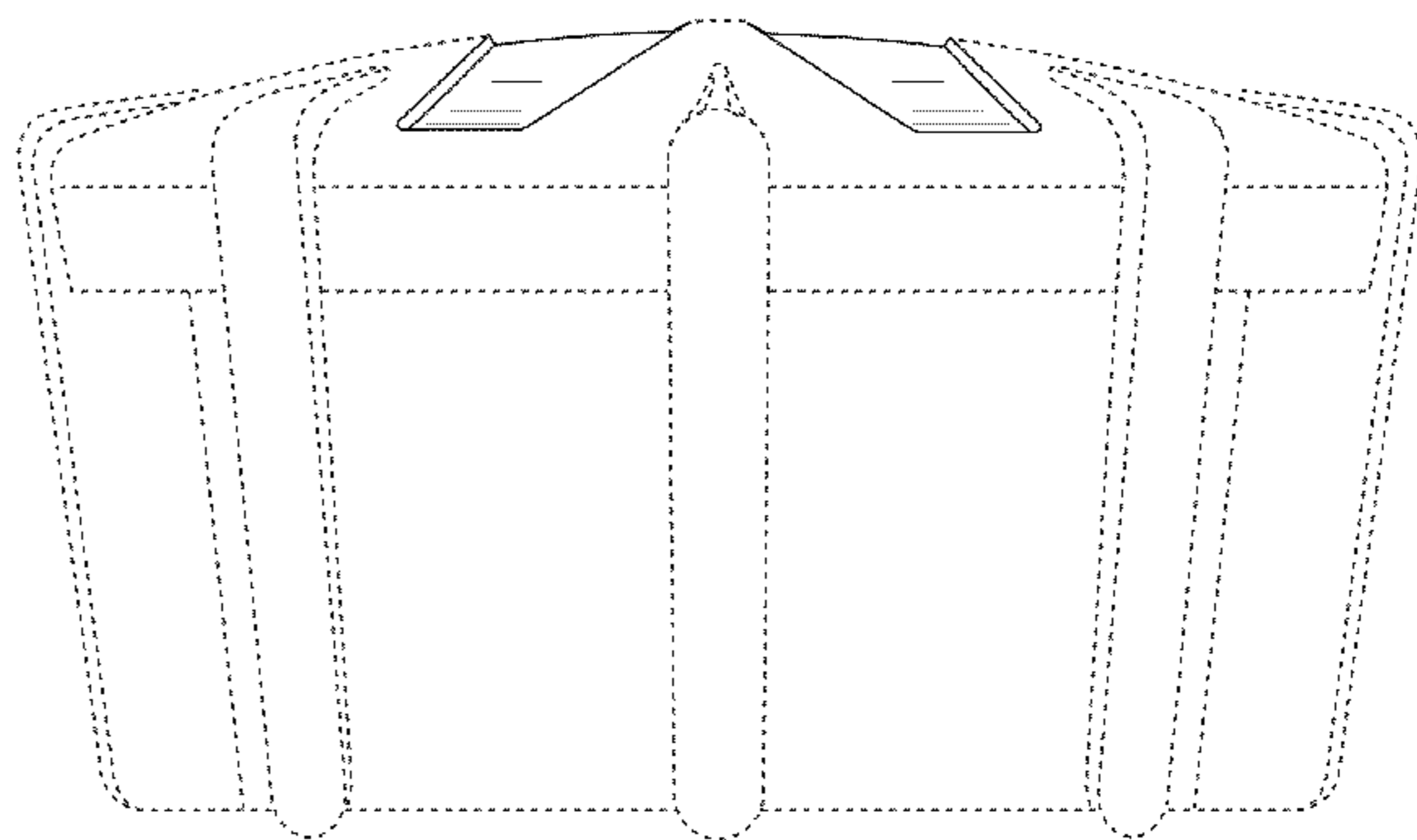
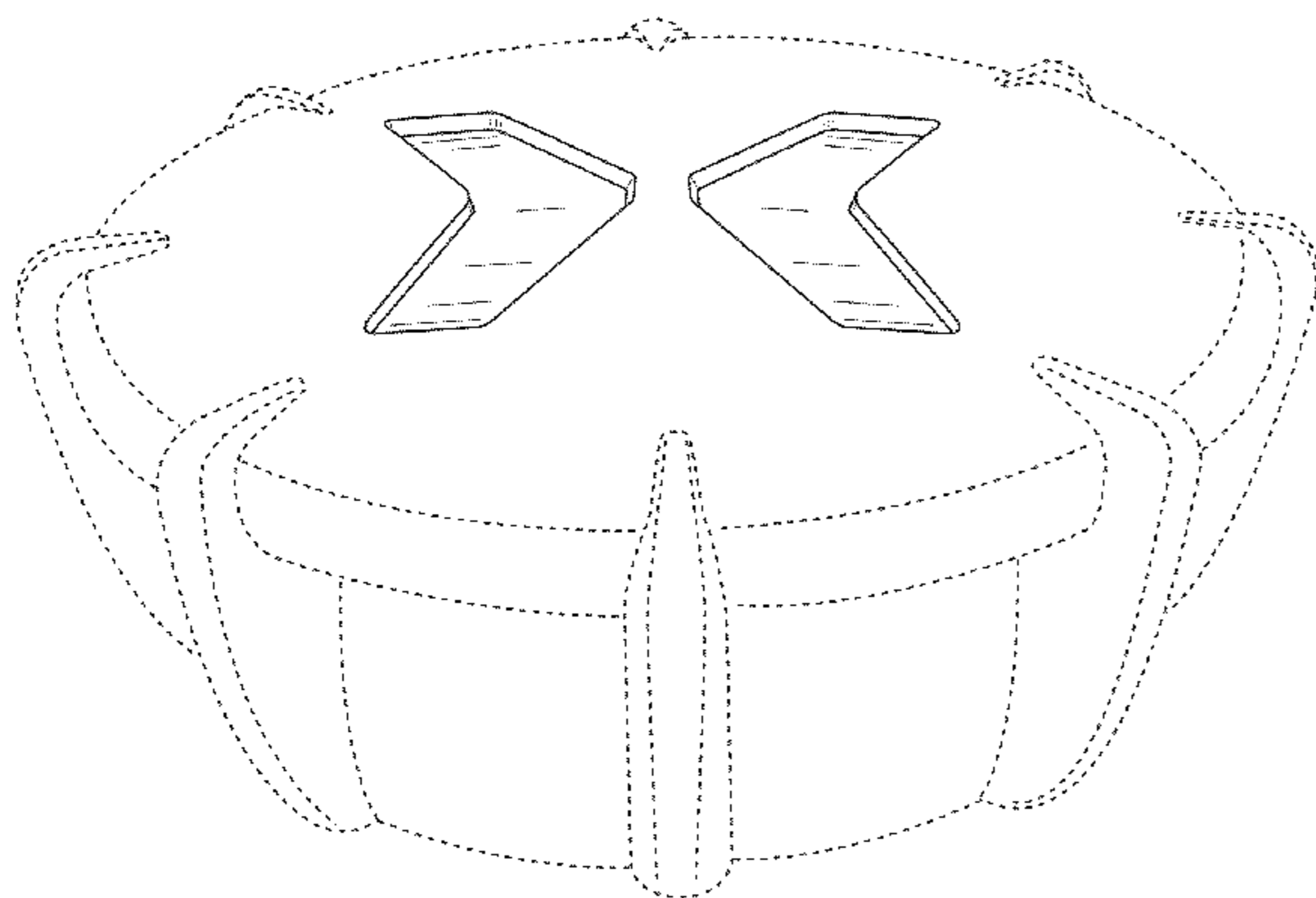
FIG. 3 is a side elevational view of the handgrip of FIG. 1.

FIG. 4 is another side elevational view of the handgrip of FIG. 1; and,

FIG. 5 is an environmental view of the handgrip of FIG. 1.

Broken lines shown in the drawings are for the purpose of illustrating environmental structure and form no part of the claimed design.

1 Claim, 5 Drawing Sheets



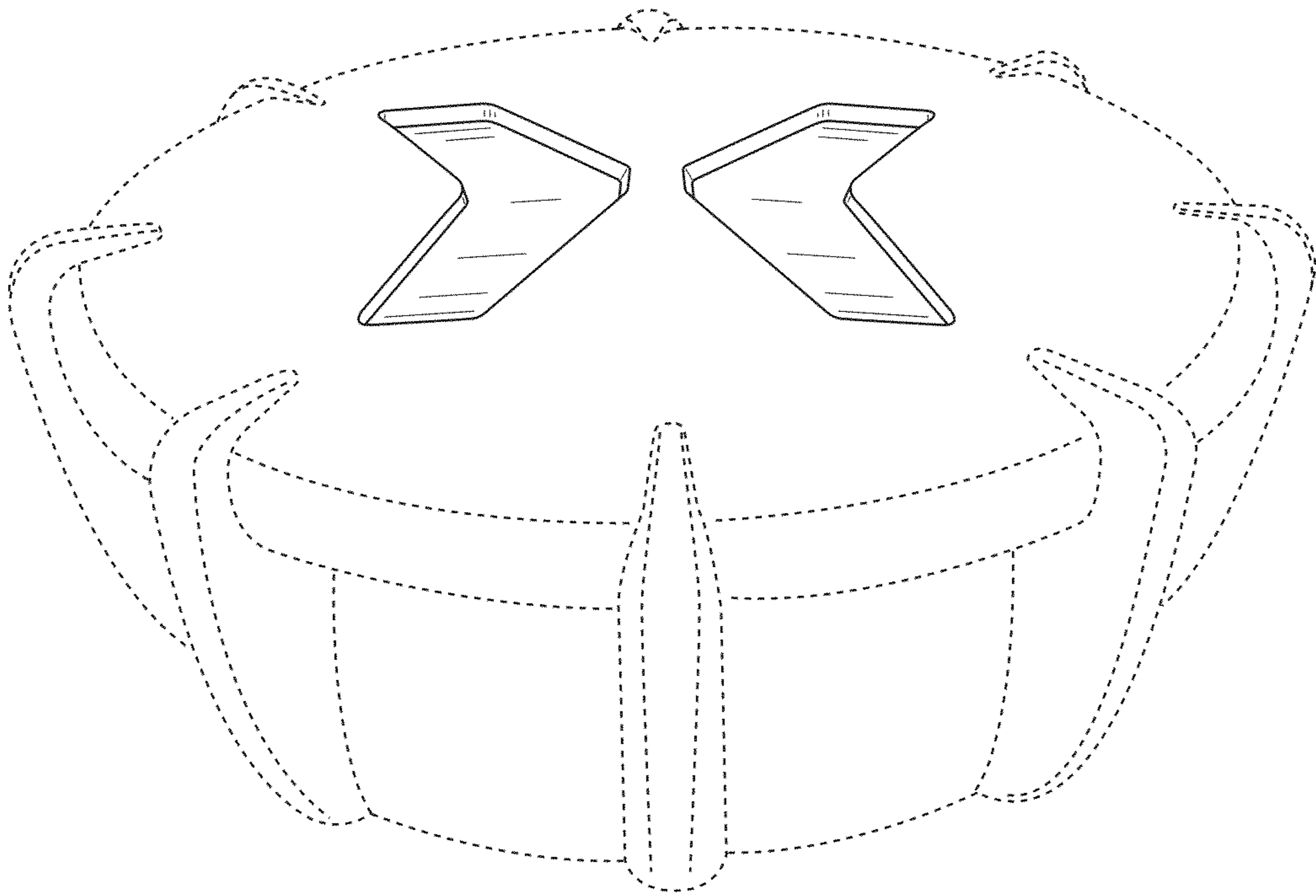


FIG. 1

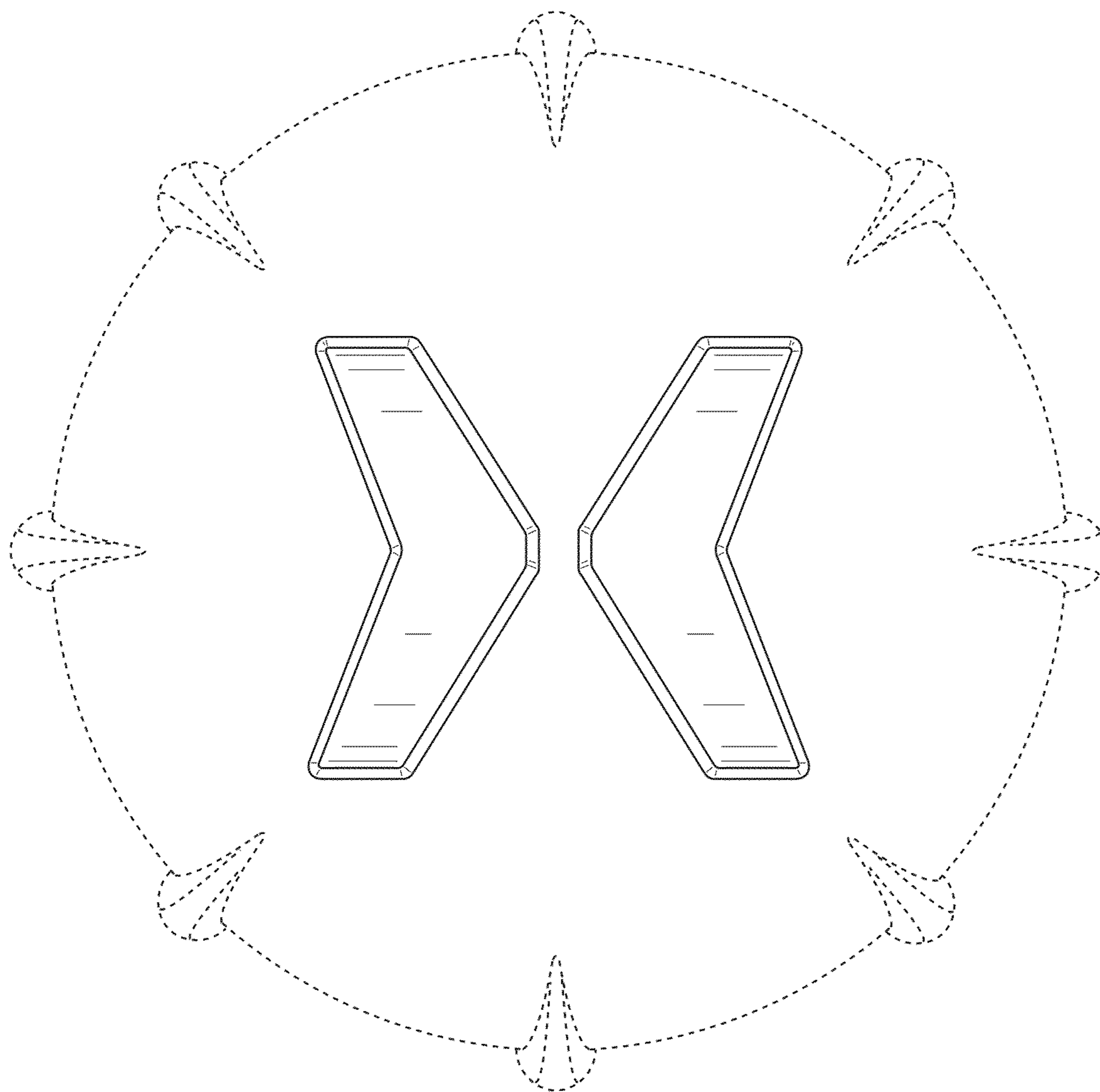


FIG. 2

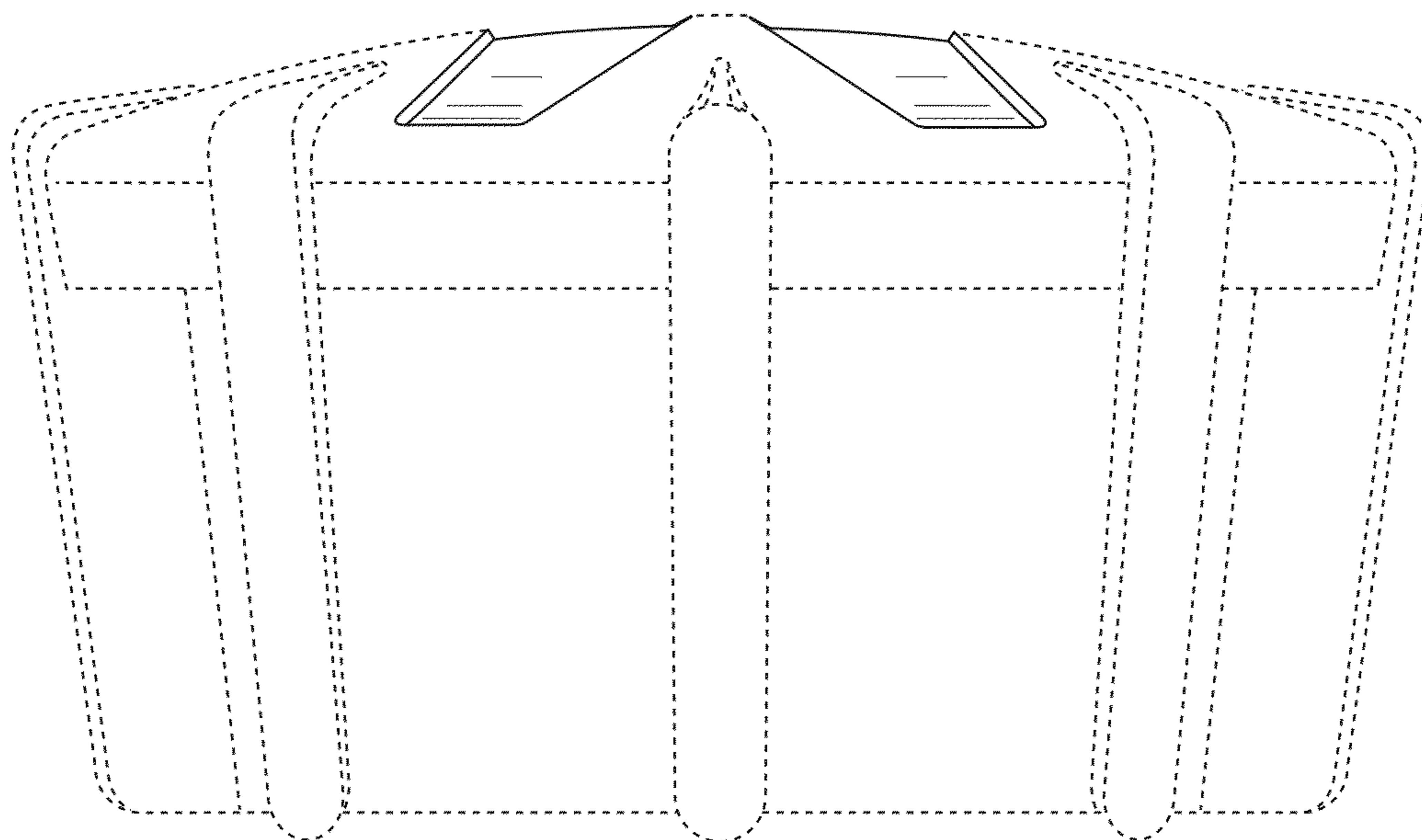


FIG. 3

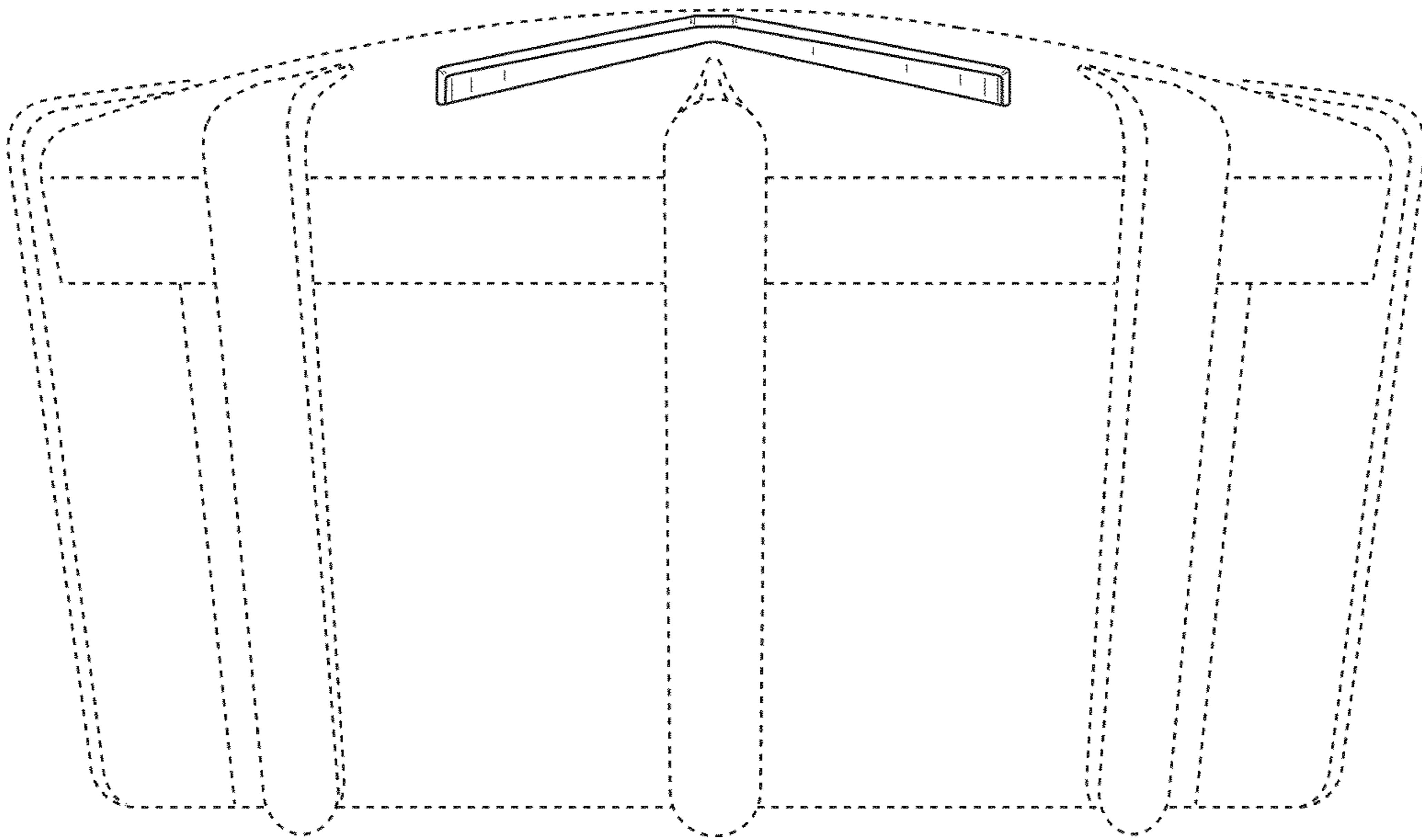


FIG. 4

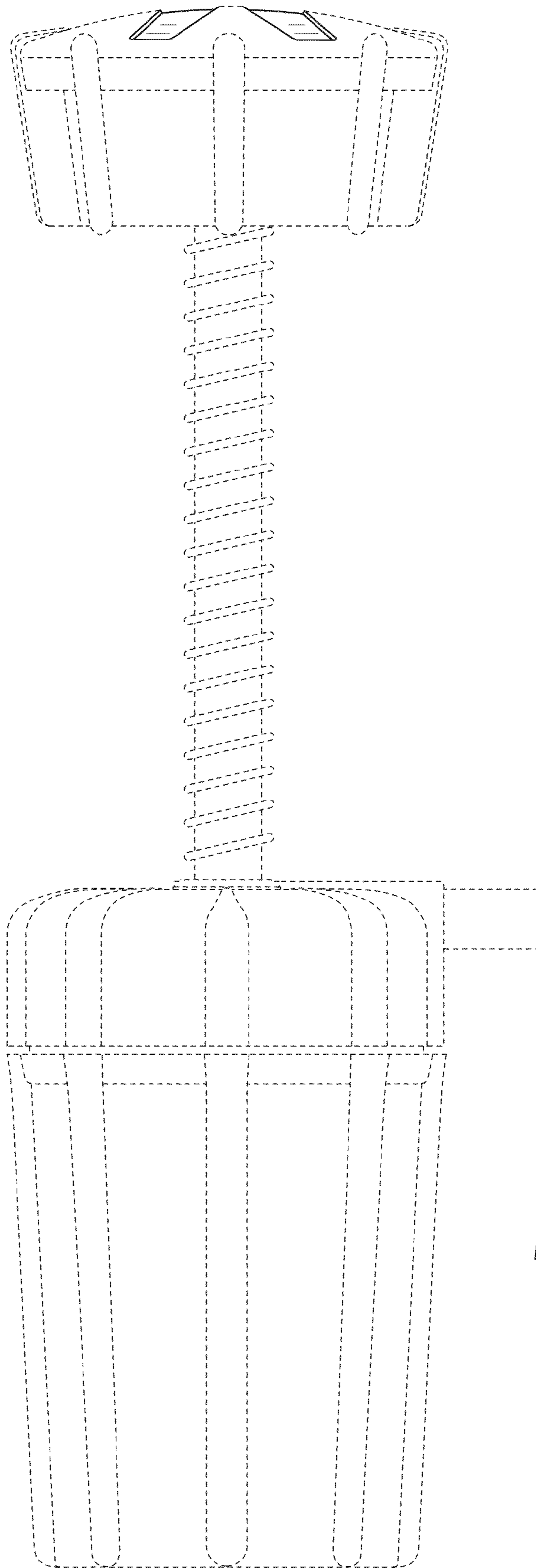


FIG. 5