



US00D690813S

(12) **United States Design Patent**
Bizzell et al.

(10) **Patent No.:** **US D690,813 S**
(45) **Date of Patent:** **** Oct. 1, 2013**

(54) **CONTAINER**

(75) Inventors: **Daniel Lee Bizzell**, Charlotte, NC (US);
Michael Starkey, Charlotte, NC (US)
(73) Assignee: **H & M Innovations, LLC**, Wilmington,
NC (US)

(**) Term: **14 Years**

(21) Appl. No.: **29/418,424**

(22) Filed: **Apr. 16, 2012**

(51) **LOC (9) Cl.** **23-01**

(52) **U.S. Cl.**
USPC **D24/162**

(58) **Field of Classification Search**
USPC D24/137, 138, 140, 150, 157, 225,
D24/160, 162, 166, 172, 174, 177, 183, 185,
D24/186, 199, 216, 277, 230, 231, 232, 234,
D24/454; 210/808, 232, 239; 206/223
See application file for complete search history.

(56) **References Cited**

U.S. PATENT DOCUMENTS

D502,531	S *	3/2005	Liu	D23/209
7,673,756	B2 *	3/2010	Levy et al.	210/435
8,123,942	B2 *	2/2012	Assion	210/315
8,356,716	B1 *	1/2013	Kruckenberg et al.	210/435
2009/0206021	A1 *	8/2009	Davies	210/232
2012/0152199	A1 *	6/2012	Thienel	123/195 C
2012/0279933	A1 *	11/2012	Hensler et al.	210/808
2012/0330220	A1 *	12/2012	Hensler et al.	604/22
2013/0056429	A1 *	3/2013	Schomburg	210/808

OTHER PUBLICATIONS

<http://www.henslersurgical.com> searched RMS Apr. 25, 2013.*

* cited by examiner

Primary Examiner — Robert M Spear

Assistant Examiner — Rhea Shields

(74) *Attorney, Agent, or Firm* — Tillman Wright, PLLC;
Chad D. Tillman; Jeremy C. Doerre

(57) **CLAIM**

The ornamental design for a container, as shown.

DESCRIPTION

FIG. 1 is a perspective view of a container in accordance with a preferred embodiment of the invention.

FIG. 2 is a front elevational view of the container of FIG. 1.

FIG. 3 is a side elevational view of the container of FIG. 1.

FIG. 4 is a back elevational view of the container of FIG. 1.

FIG. 5 is another side elevational view of the container of FIG. 1.

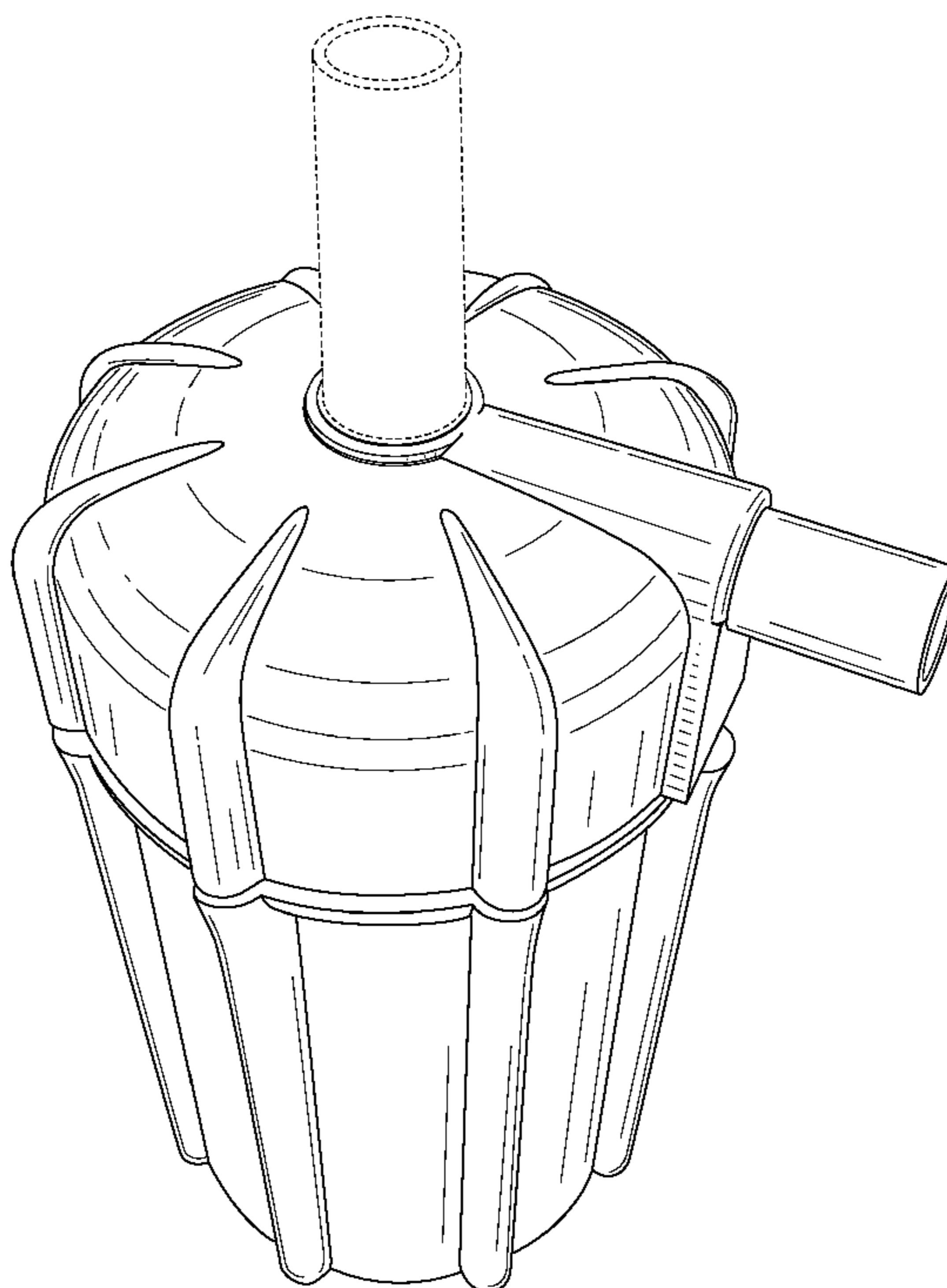
FIG. 6 is a top view of the container of FIG. 1.

FIG. 7 is a bottom view of the container of FIG. 1; and,

FIG. 8 is a side elevational view of another container in accordance with the preferred embodiment of the present invention.

Broken lines shown in the drawings are for the purpose of illustrating environmental structure and form no part of the claimed design.

1 Claim, 8 Drawing Sheets



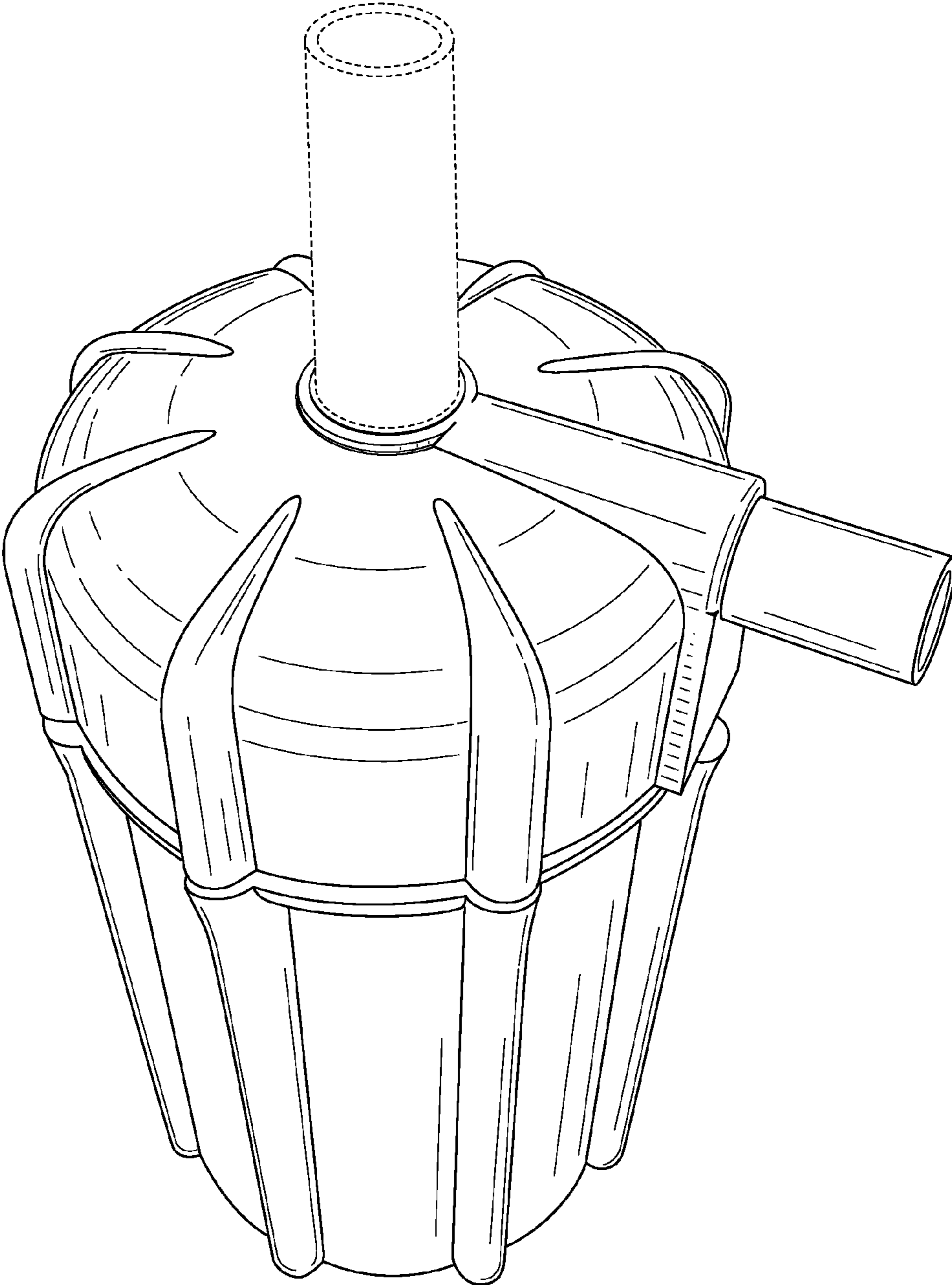


FIG. 1

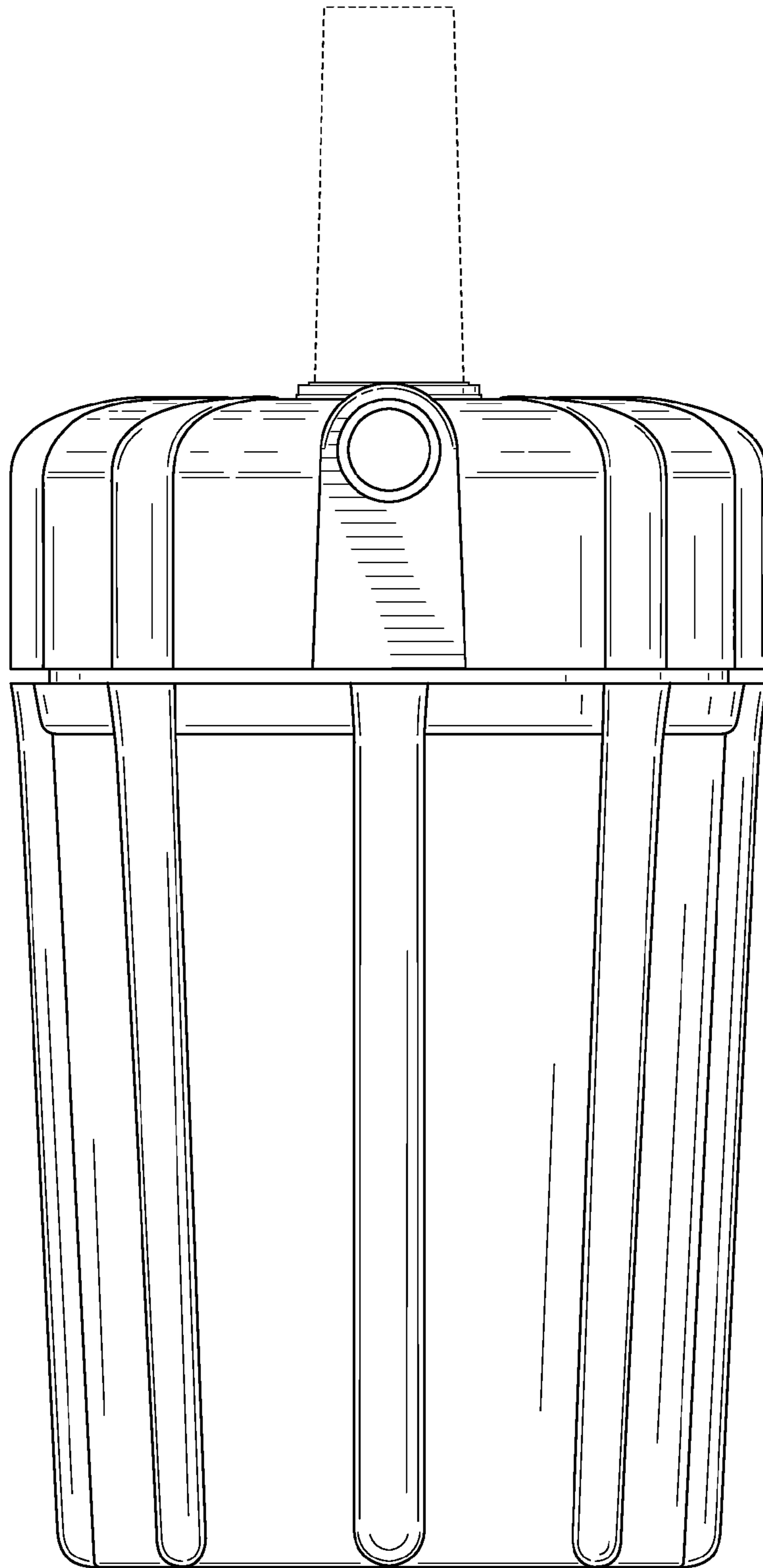


FIG. 2

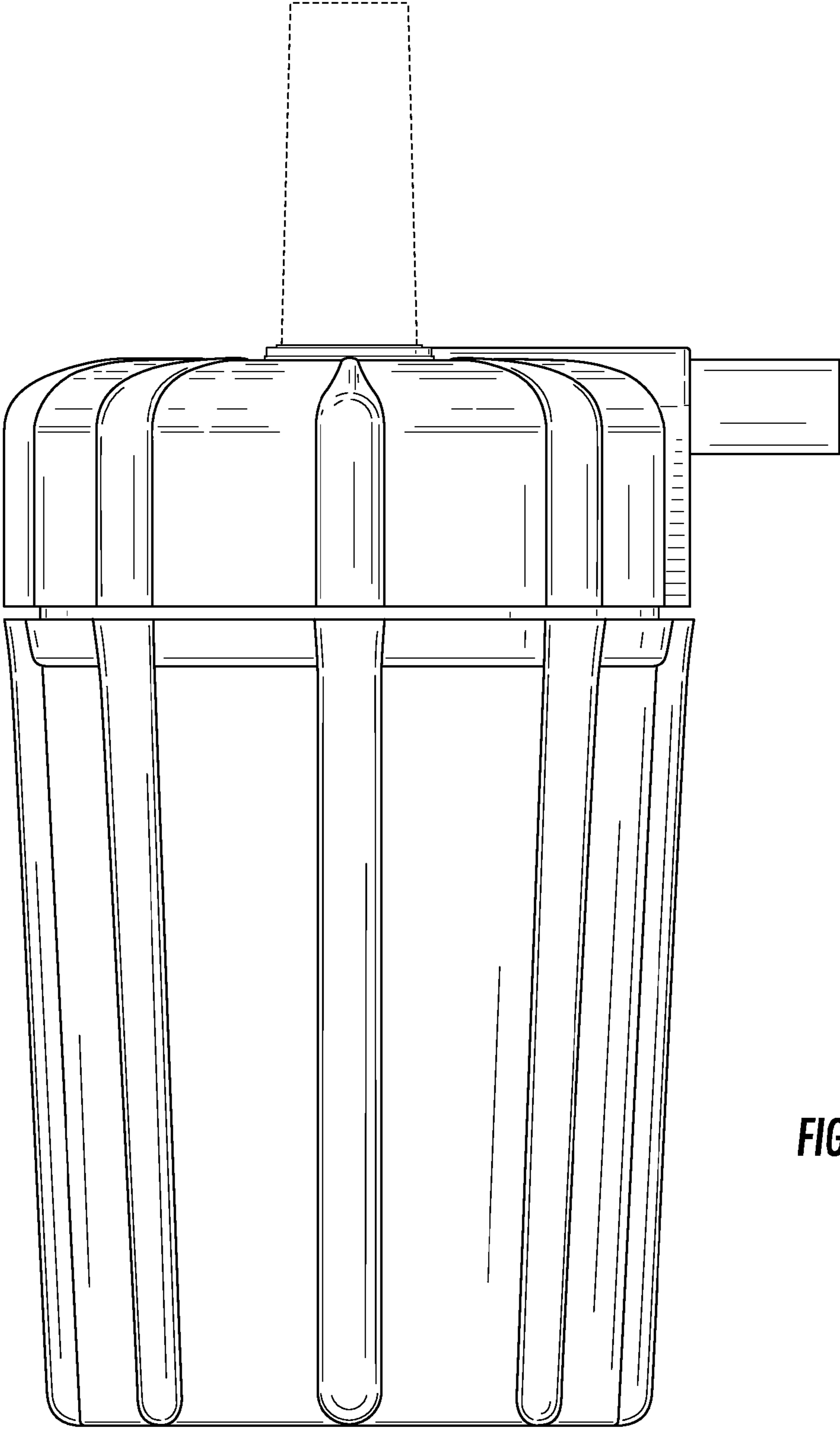


FIG. 3

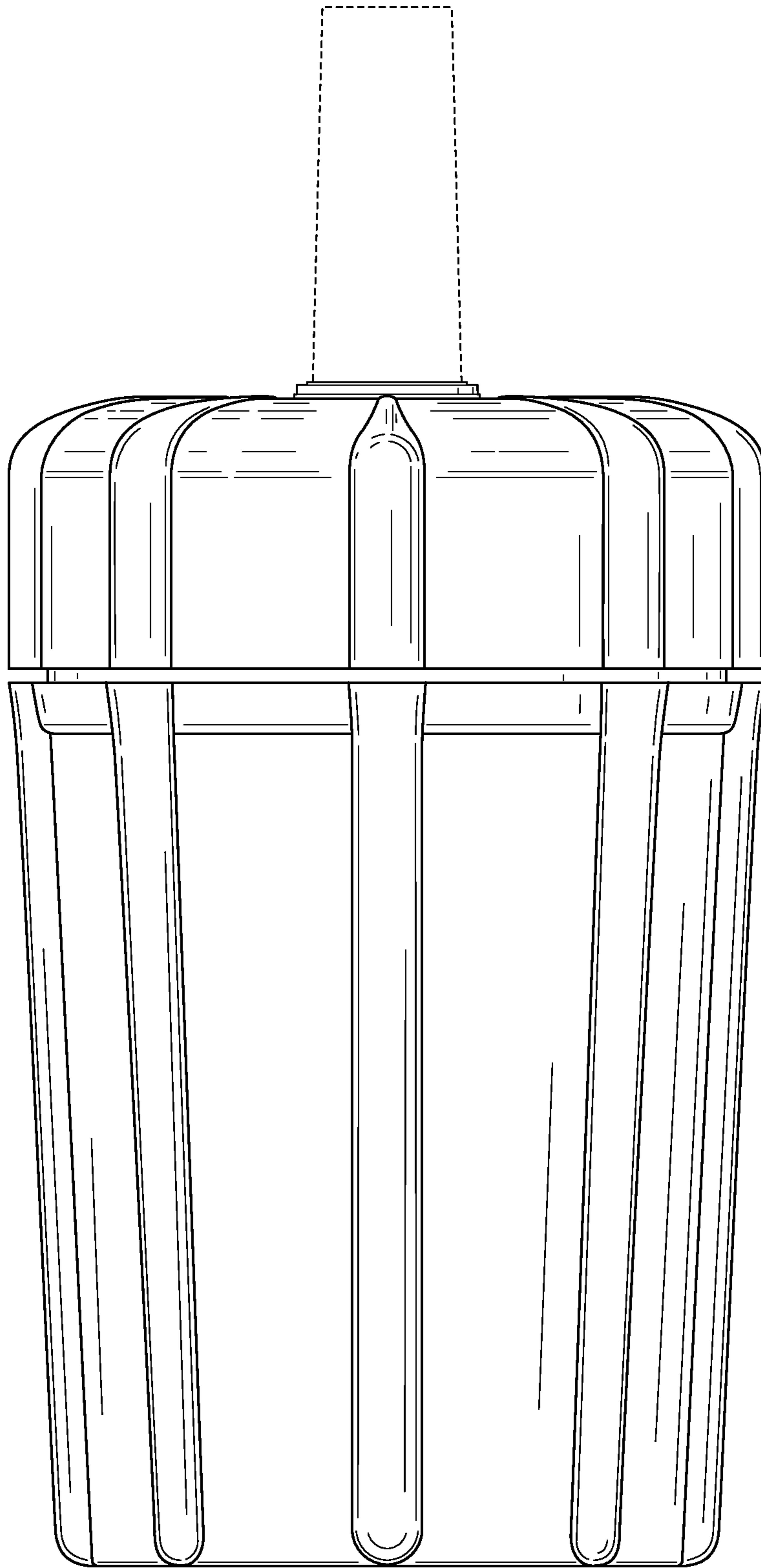


FIG. 4

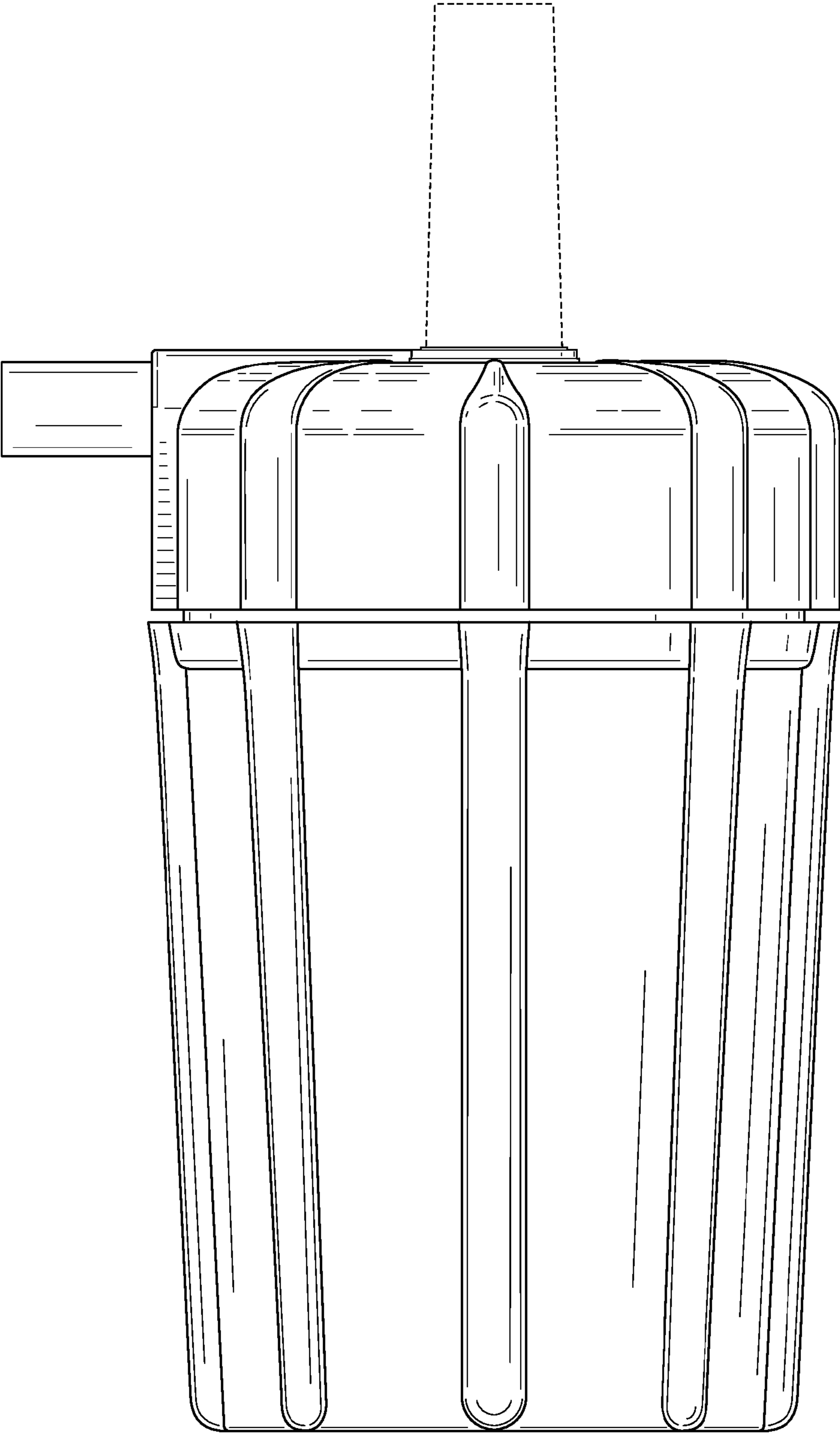


FIG. 5

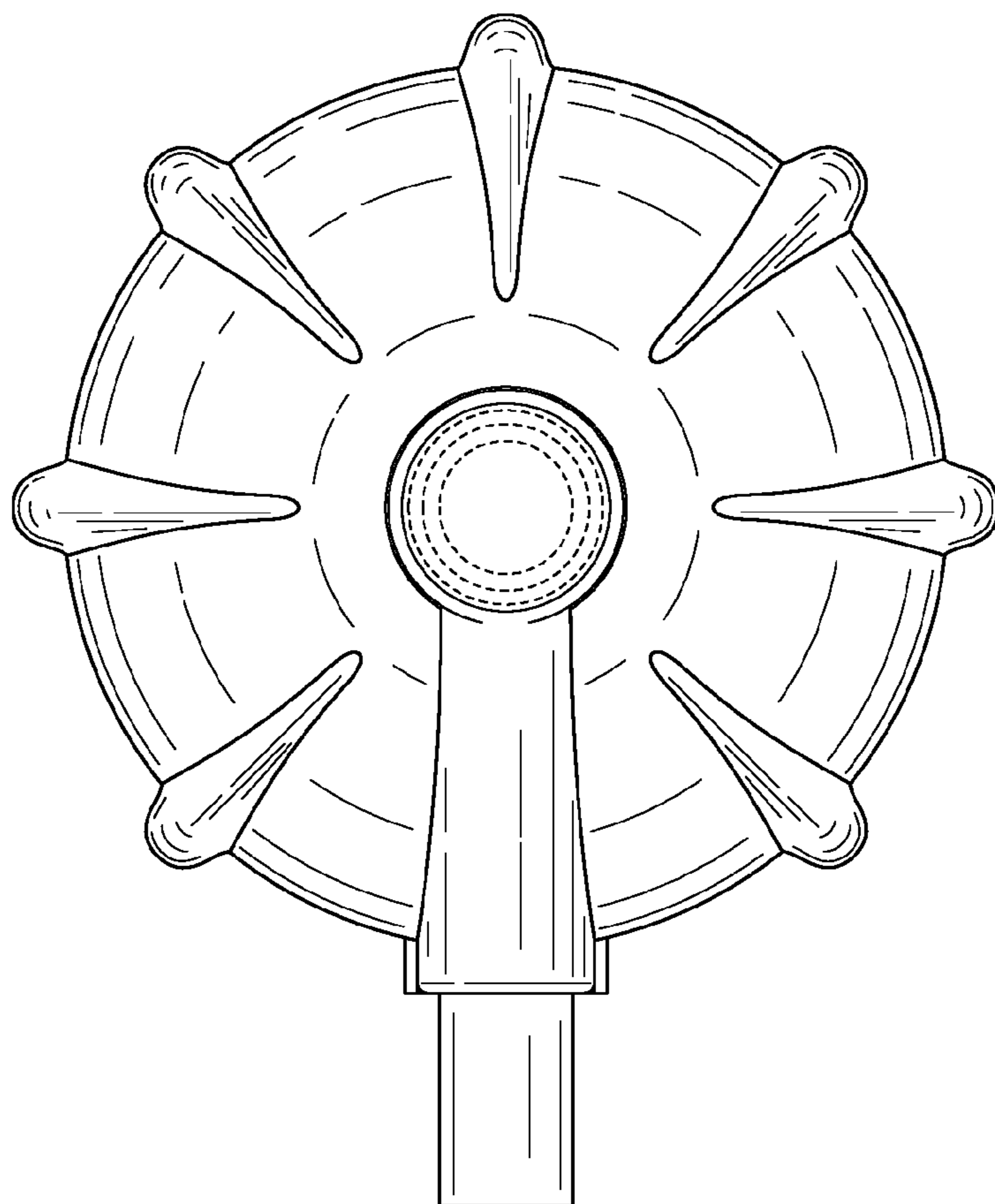


FIG. 6

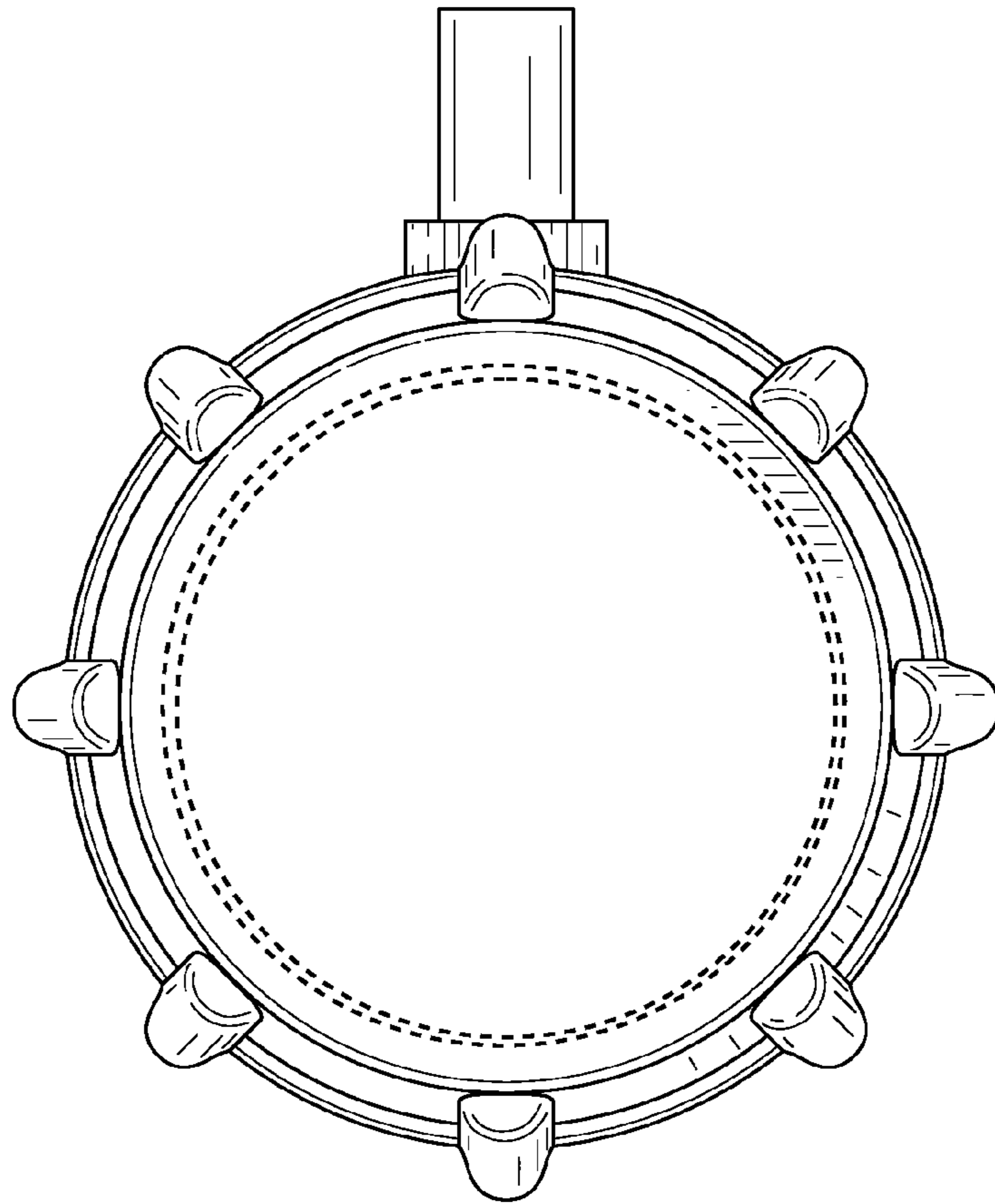


FIG. 7

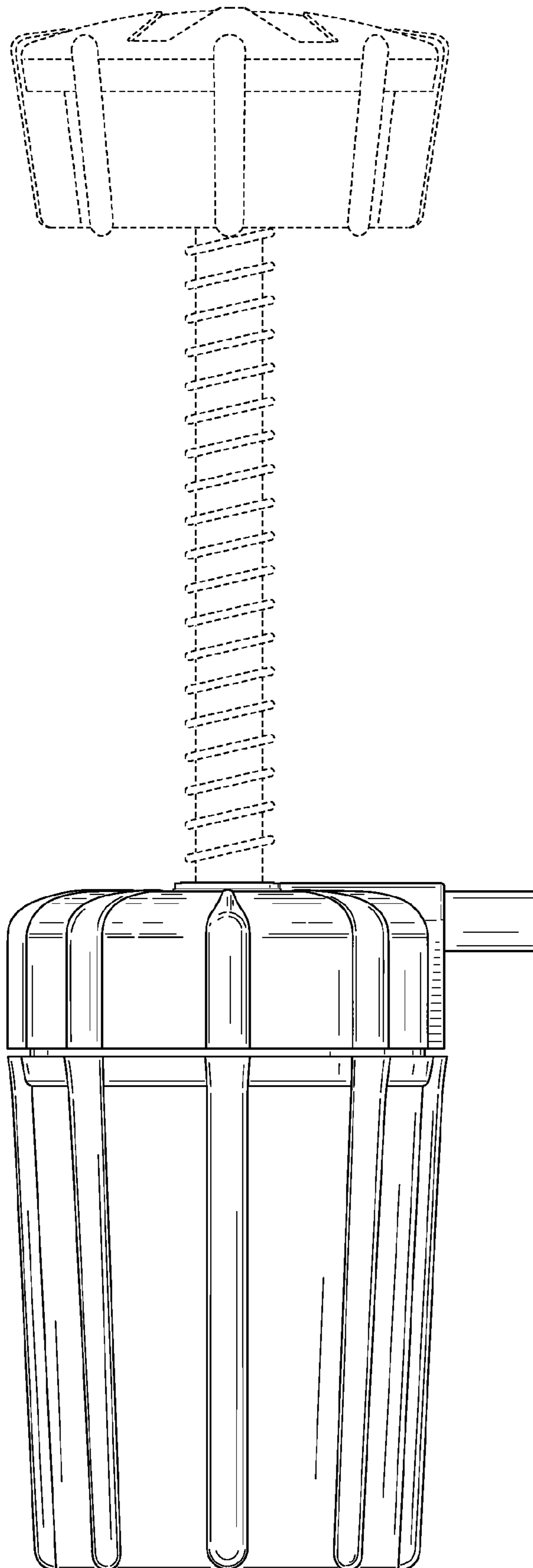


FIG. 8