



US00D690812S

(12) **United States Design Patent**
Dowdell

(10) **Patent No.:** **US D690,812 S**
(45) **Date of Patent:** **** Oct. 1, 2013**

(54) **MICRODERMAL ANCHOR**

(75) Inventor: **Sean Michael Dowdell**, Gilbert, AZ
(US)

(73) Assignee: **Bombshell Accessories**, New York, NY
(US)

(**) Term: **14 Years**

(21) Appl. No.: **29/358,329**

(22) Filed: **Mar. 25, 2010**

(51) **LOC (9) Cl.** **24-02**

(52) **U.S. Cl.**
USPC **D24/155**

(58) **Field of Classification Search**
USPC D24/155-157; 606/60, 61, 73, 95,
606/213, 65, 67, 288, 902, 246, 248, 249;
623/17.11, 17.12, 17.13, 17.14, 17.15, 17.16,
623/23.61, 23.56, 247, 213; D15/143, 139
See application file for complete search history.

(56) **References Cited**

U.S. PATENT DOCUMENTS

3,862,453	A *	1/1975	Widdifield	623/15.11
5,108,710	A *	4/1992	Little et al.	422/562
6,607,504	B2 *	8/2003	Haarala et al.	604/93.01
7,651,496	B2 *	1/2010	Keegan et al.	606/60
7,935,096	B2 *	5/2011	Johansson et al.	604/338
2007/0060891	A1 *	3/2007	Skiera et al.	604/175
2007/0208360	A1 *	9/2007	Demarais et al.	606/153
2008/0221533	A1 *	9/2008	Matityahu	604/290
2008/0281421	A1 *	11/2008	Cahn et al.	623/15.12
2009/0192464	A1 *	7/2009	Axelsson et al.	604/164.04
2010/0249784	A1 *	9/2010	Andersson	606/76

OTHER PUBLICATIONS

Product website www.metalmafia.com Product: "14G Microdermal Anchor with Clear Gem Sean Dowdell Design" <http://www.metalmafia.com>

[metalmafia.com/themetalshop/index.php?main_page=product_info&cPath=29&products_id=2144&zenid=15f8b0be6db858d44fd9f37c25e1ae93](http://www.metalmafia.com/themetalshop/index.php?main_page=product_info&cPath=29&products_id=2144&zenid=15f8b0be6db858d44fd9f37c25e1ae93).
Images of Metal Mafia Microdermal Anchor, shown without magnification, at 2x magnification, and at 13x magnification (released Oct. 2008), 2 pages.
Metal Mafia 14G Microdermal Anchor, available at https://www.metalmafia.com/themetalshop/index.php?main_page=index&cPath=186 (published Oct. 2, 2008), 2 pages.
L.A. Silver Dermal Base, available at <http://www.99centbodyjewelry.com/details.asp?sku=BAS1&category=100104&search=> (published in about May 2009), 2 pages.
Images of Miscellaneous Dermal Anchors (unknown publication dates), 10 pages.
Metal Mafia 14G Microdermal Anchor, available at https://www.metalmafia.com/themetalshop/index.php?main_page=index&cPath=186 (webpage printed on Aug. 23, 2010; portions of webpage available Oct. 2, 2008; photograph on webpage available in 2010), 2 pages.

* cited by examiner

Primary Examiner — Ian Simmons
Assistant Examiner — Charles Hanson
(74) *Attorney, Agent, or Firm* — Freeborn & Peters LLP

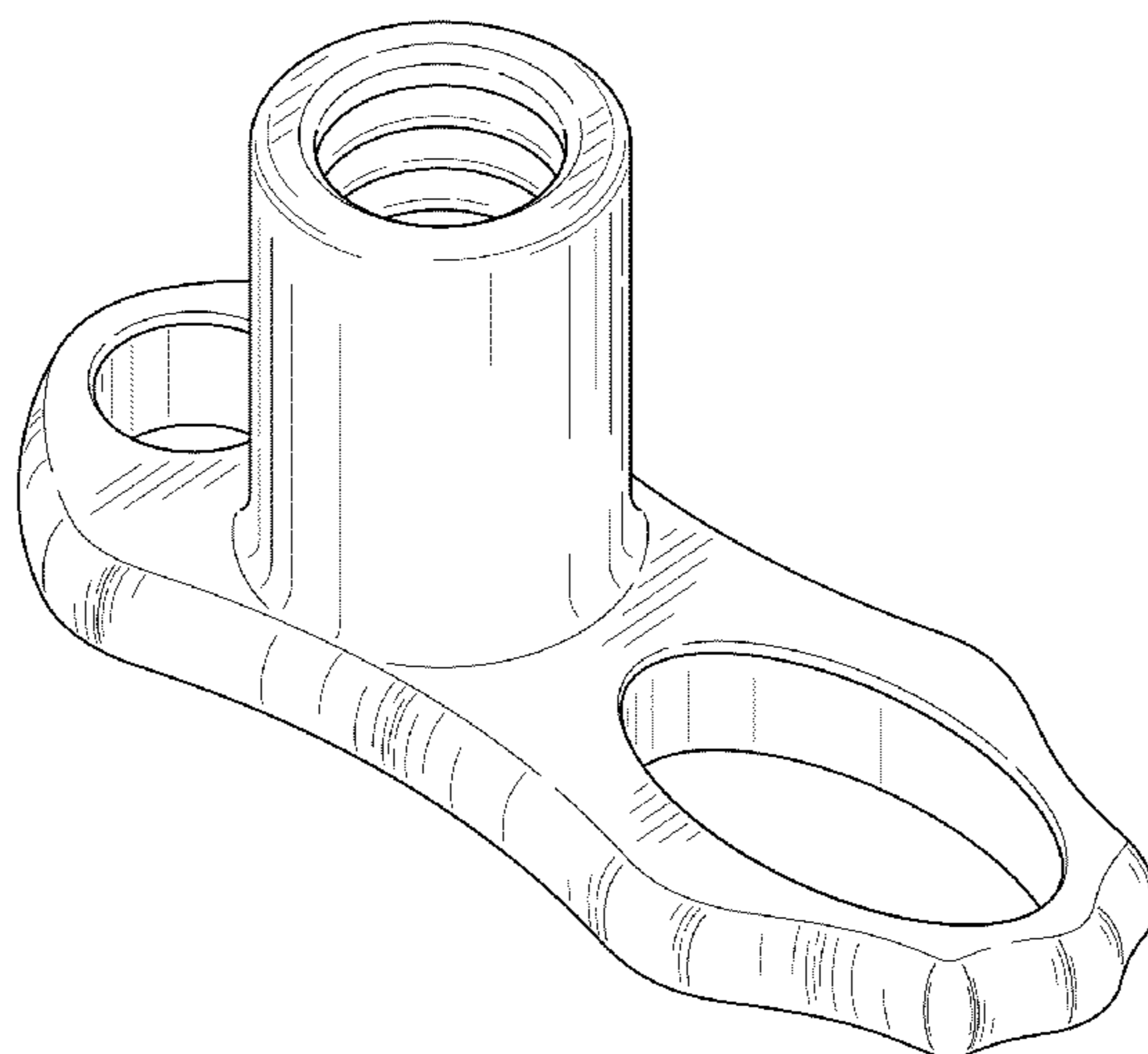
(57) **CLAIM**

I claim the ornamental design for a microdermal anchor, as shown and described.

DESCRIPTION

FIG. 1 is a right side perspective view of a microdermal anchor showing my new design;
FIG. 2 is a left side view of the microdermal anchor of FIG. 1;
FIG. 3 is a front elevational view of the microdermal anchor of FIG. 1;
FIG. 4 is a back elevational view of the microdermal anchor of FIG. 1;
FIG. 5 is a top plan view of the microdermal anchor of FIG. 1; and,
FIG. 6 is a bottom plan view of the microdermal anchor of FIG. 1.

1 Claim, 3 Drawing Sheets



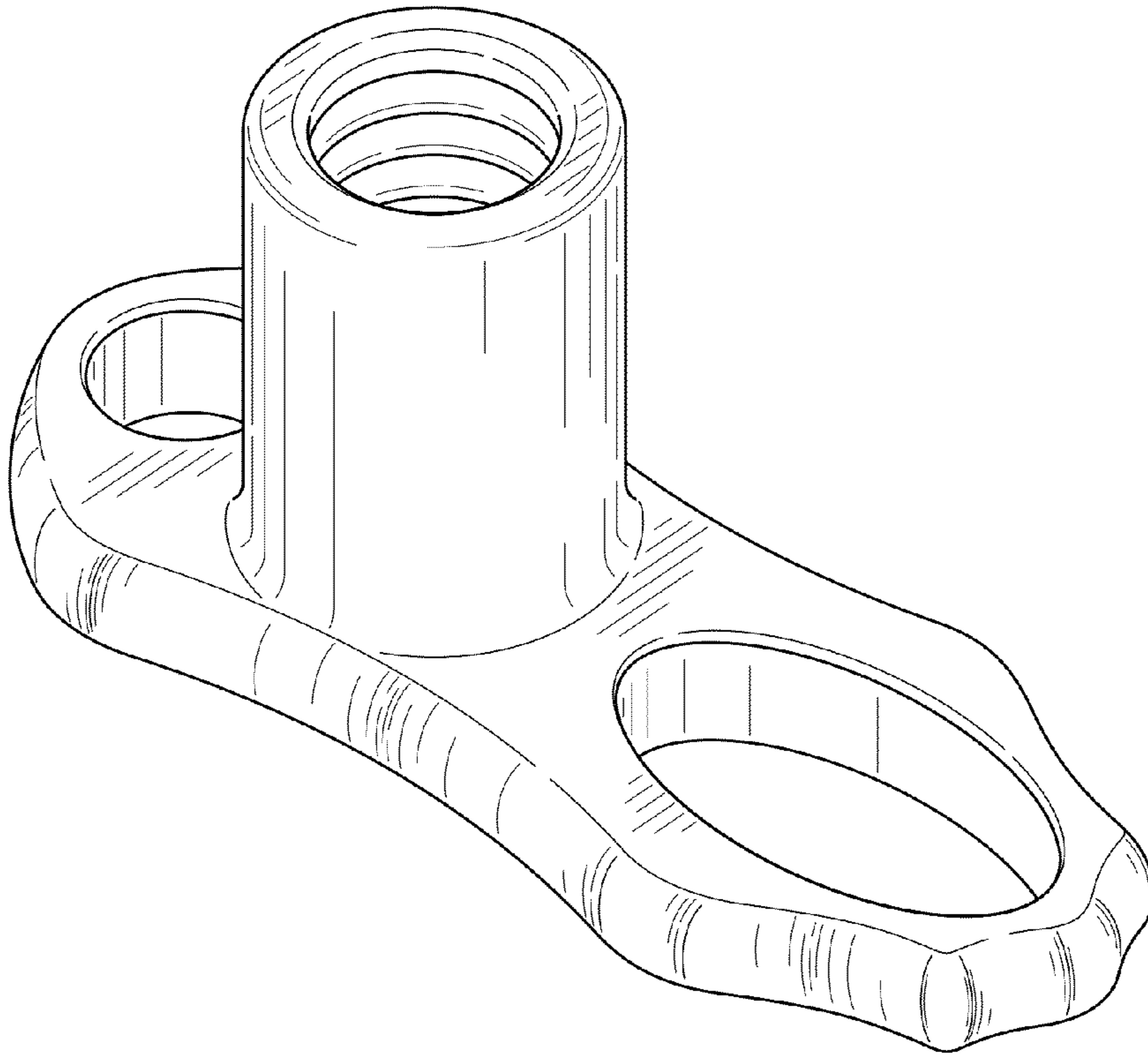


FIG. 1

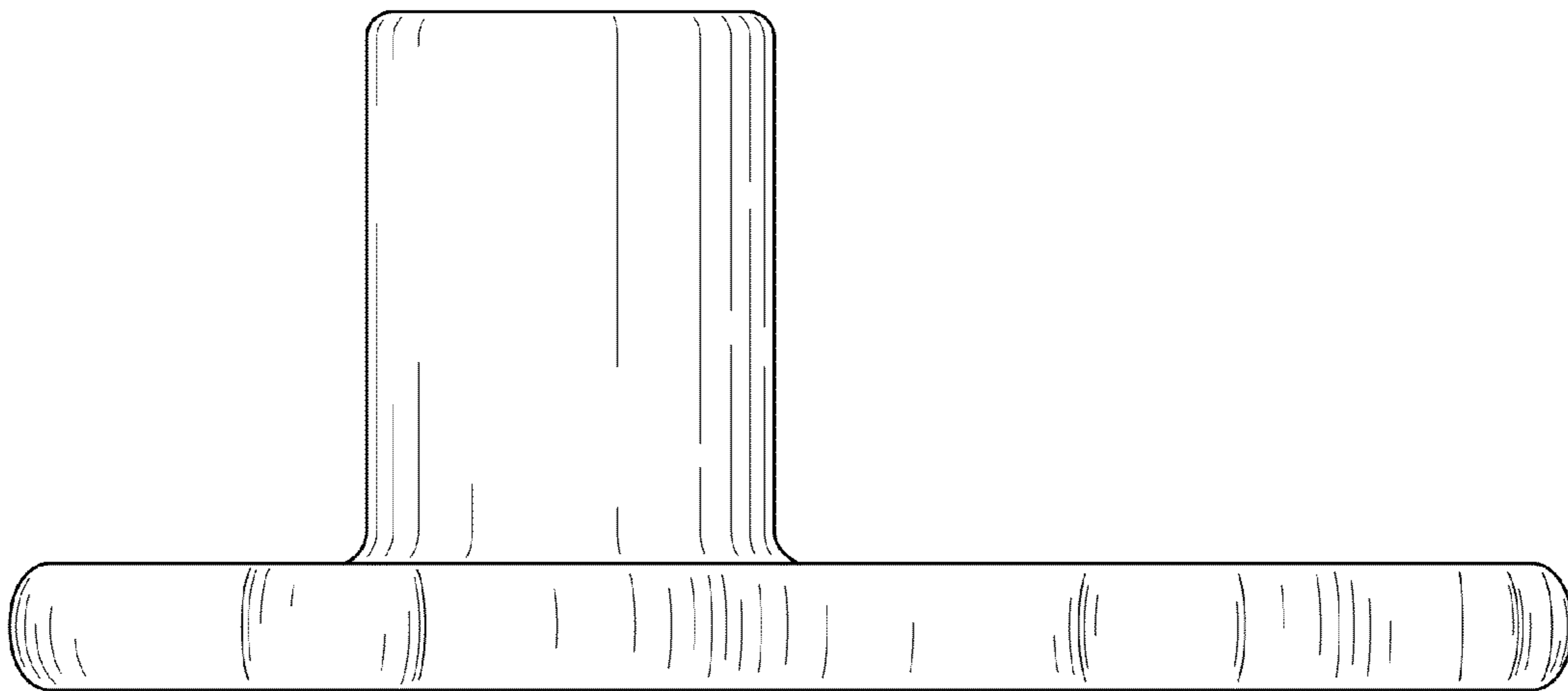


FIG. 2

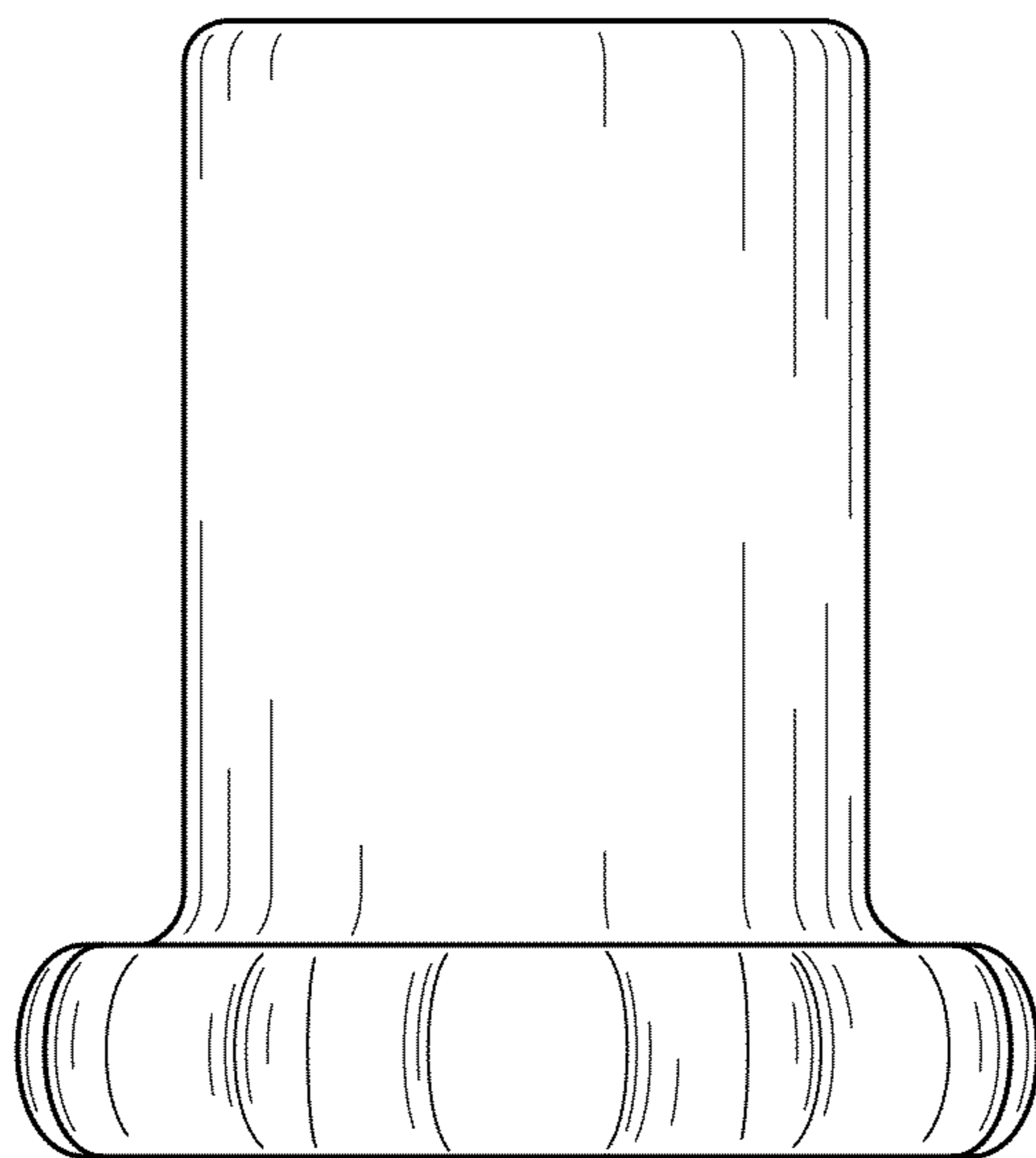


FIG. 3

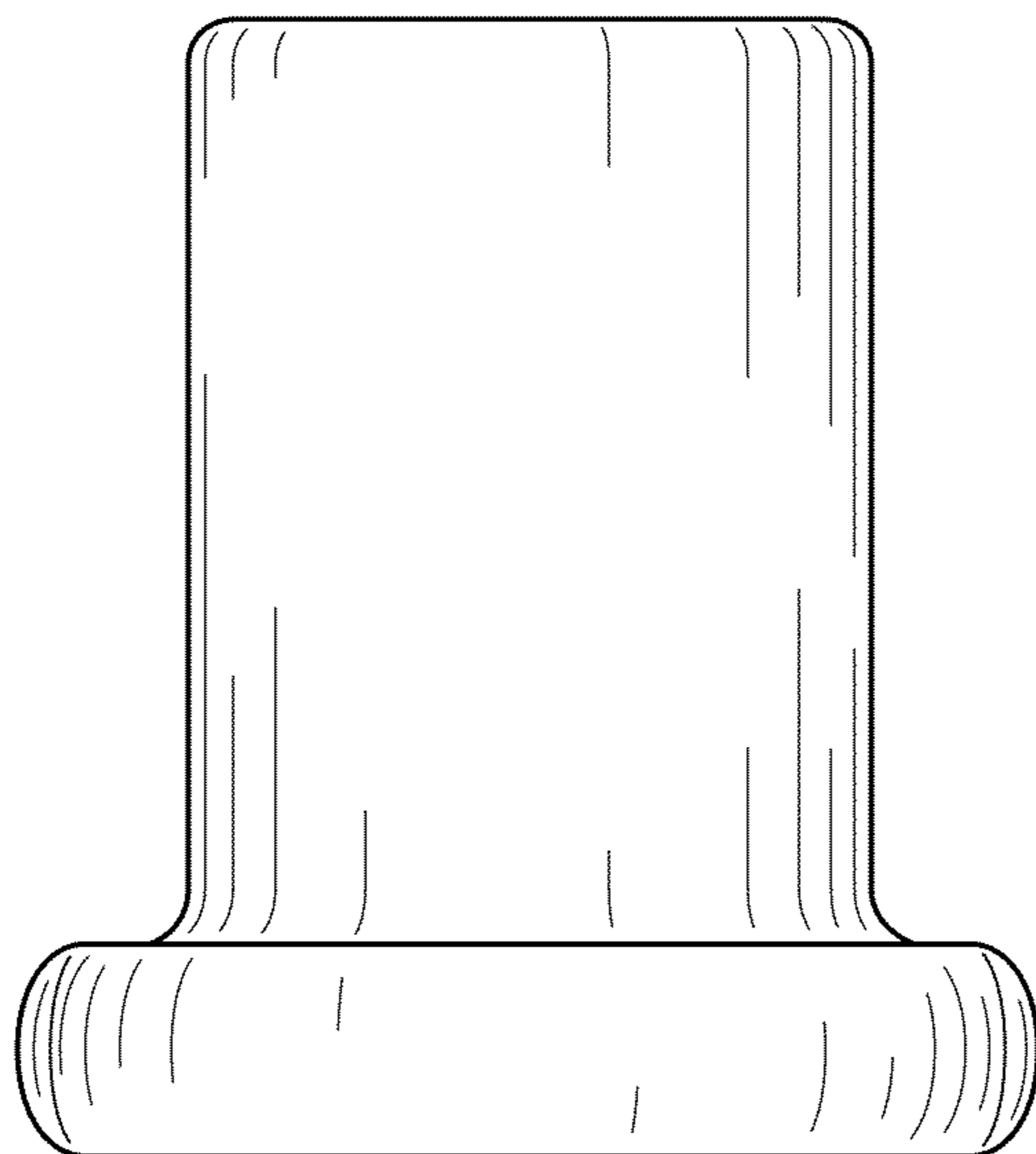


FIG. 4

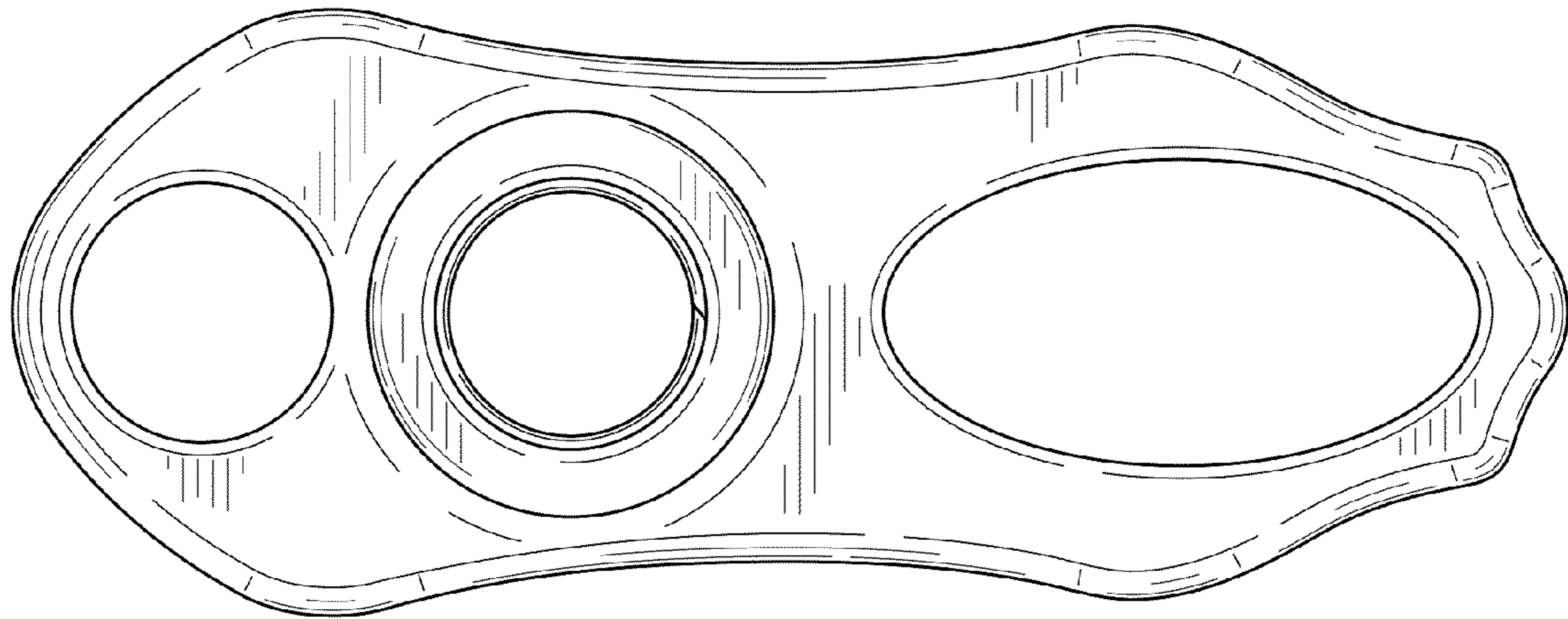


FIG. 5

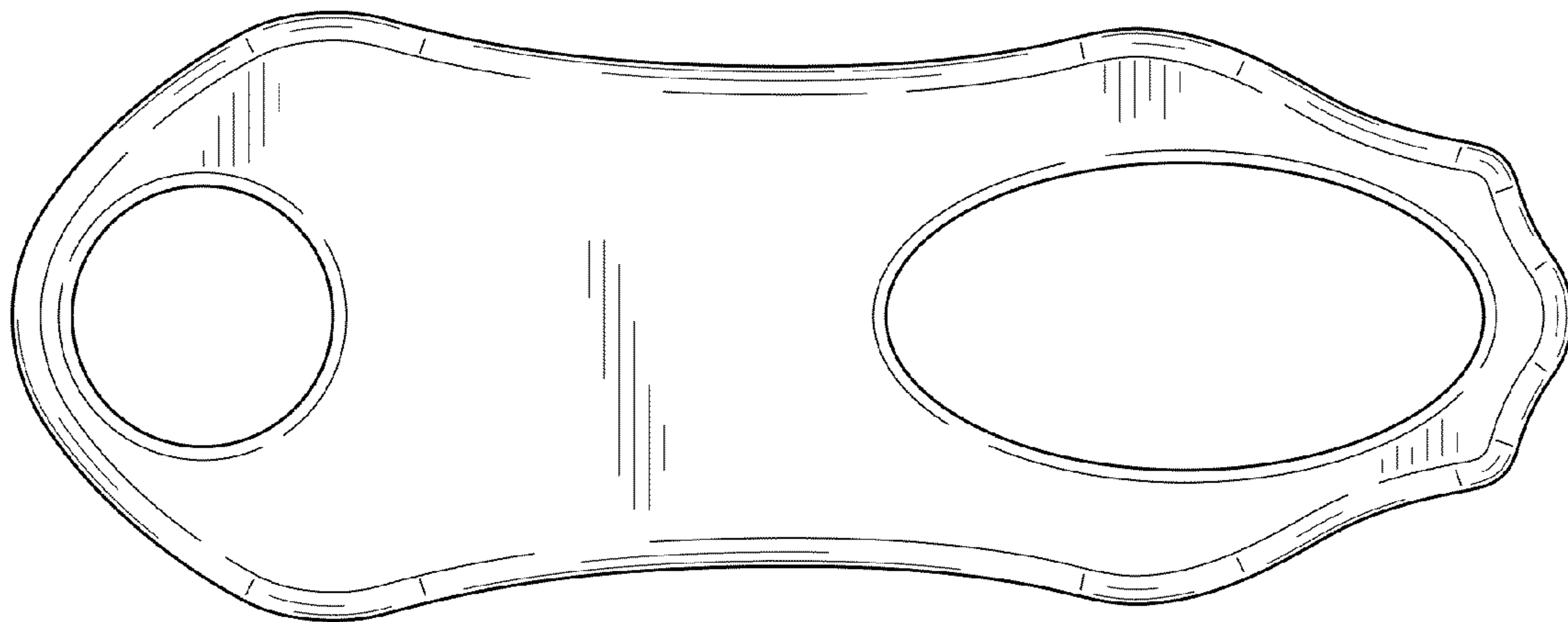


FIG. 6