

US00D690811S

(12) **United States Design Patent**  
**Horning et al.**

(10) **Patent No.:** **US D690,811 S**  
(45) **Date of Patent:** **\*\* Oct. 1, 2013**

(54) **BIOPSY DEVICE**

(75) Inventors: **Julie A. Horning**, Loveland, OH (US);  
**Kathryn M. Dodd**, Cincinnati, OH  
(US); **John A. Hibner**, Mason, OH  
(US); **Emmanuel V. Tanghal**, Mason,  
OH (US)

(73) Assignee: **Devicor Medical Products, Inc.**,  
Cincinnati, OH (US)

(\*\*) Term: **14 Years**

(21) Appl. No.: **29/418,015**

(22) Filed: **Apr. 11, 2012**

**Related U.S. Application Data**

(63) Continuation of application No. 29/390,405, filed on  
Apr. 25, 2011, now Pat. No. Des. 660,430.

(51) **LOC (9) Cl.** ..... **24-02**

(52) **U.S. Cl.**  
USPC ..... **D24/146**

(58) **Field of Classification Search**  
USPC ..... D24/146, 147, 133, 114; 606/170,  
606/208, 207, 564, 566; 600/564–568  
See application file for complete search history.

(56) **References Cited**

**U.S. PATENT DOCUMENTS**

5,184,625	A	2/1993	Cottone et al.	
D450,843	S	11/2001	McGuckin et al.	
6,689,072	B2	2/2004	Kaplan et al.	
6,752,768	B2	6/2004	Burdorff et al.	
7,025,732	B2	4/2006	Thompson et al.	
7,252,641	B2	8/2007	Thompson et al.	
7,645,240	B2	1/2010	Thompson et al.	
7,806,835	B2 *	10/2010	Hibner et al.	600/567

7,828,748	B2	11/2010	Hibner	
7,854,706	B2	12/2010	Hibner	
7,862,518	B2	1/2011	Parihar	
D635,248	S *	3/2011	Coale	D24/114
7,981,051	B2	7/2011	Quick et al.	
7,988,642	B2	8/2011	Hardin et al.	
8,016,772	B2	9/2011	Heske et al.	
8,162,852	B2 *	4/2012	Norris	600/567
D660,430	S	5/2012	Horning et al.	
D665,909	S *	8/2012	Dodd et al.	D24/146
8,342,851	B1 *	1/2013	Speeg et al.	434/267
2005/0065453	A1 *	3/2005	Shabaz et al.	600/564
2008/0200836	A1	8/2008	Speeg et al.	
2011/0071433	A1	3/2011	Hibner et al.	

\* cited by examiner

*Primary Examiner* — Ian Simmons

*Assistant Examiner* — Carissa C Fitts

(74) *Attorney, Agent, or Firm* — Frost Brown Todd LLC

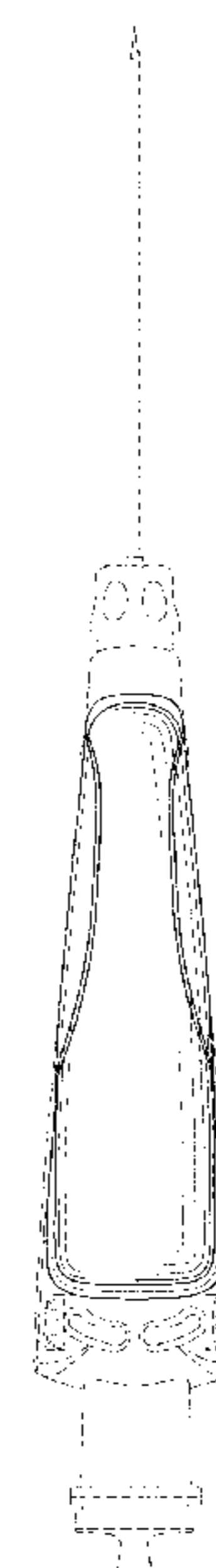
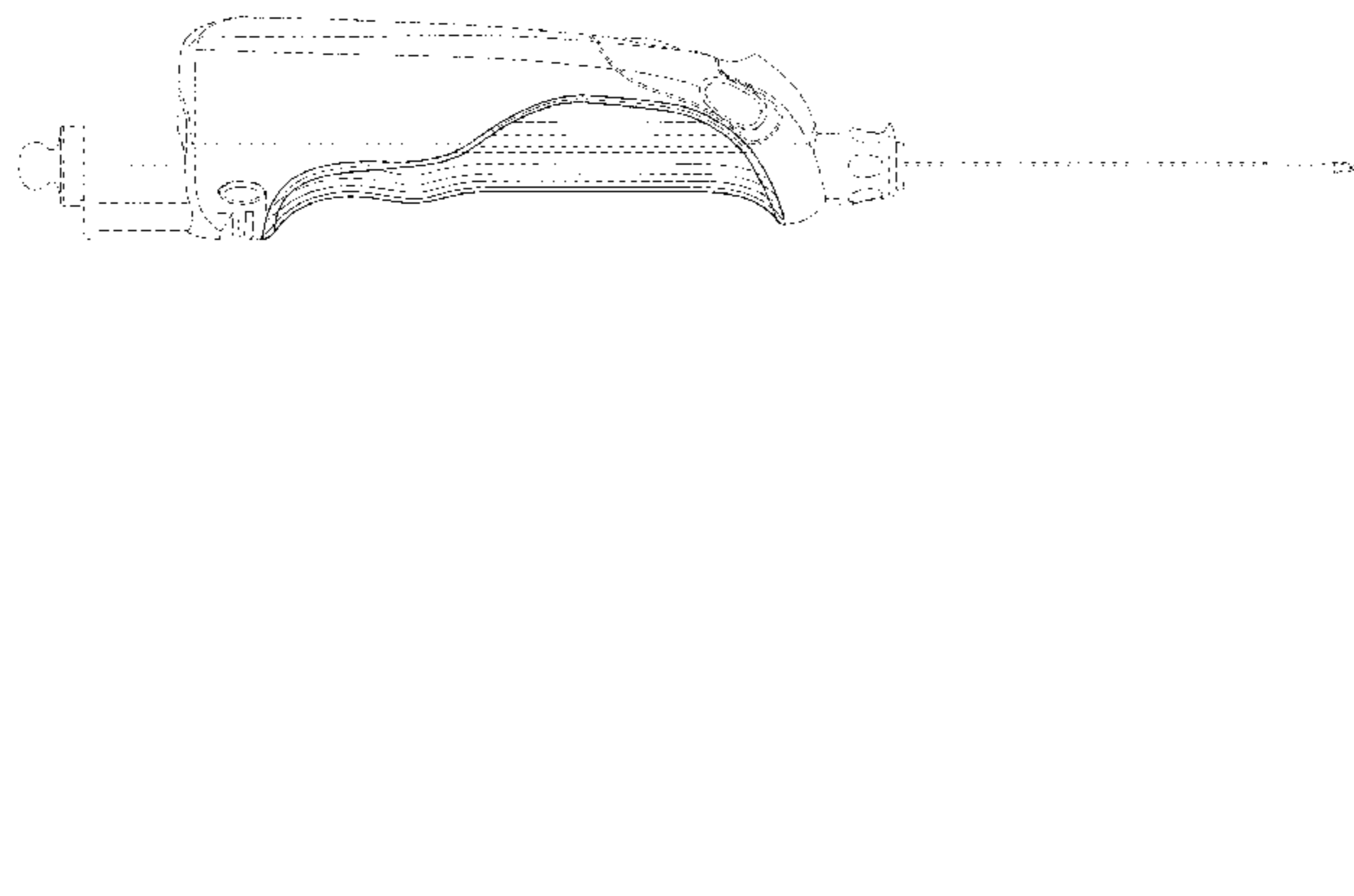
(57) **CLAIM**

The ornamental design for a biopsy device, as shown and described.

**DESCRIPTION**

FIG. 1 is a top perspective view of a biopsy device, showing our new design;  
FIG. 2 is a bottom perspective view thereof;  
FIG. 3 is a front elevation view thereof;  
FIG. 4 is a rear elevation view thereof;  
FIG. 5 is a left elevation view thereof;  
FIG. 6 is a right elevation view thereof;  
FIG. 7 is a top plan view thereof; and,  
FIG. 8 is a bottom plan view thereof.  
The needle assembly, collection assembly, device features, device stands, speaker apertures, soft buttons, and icon regions shown in broken lines are unclaimed subject matter and form no part of the claimed design.

**1 Claim, 5 Drawing Sheets**



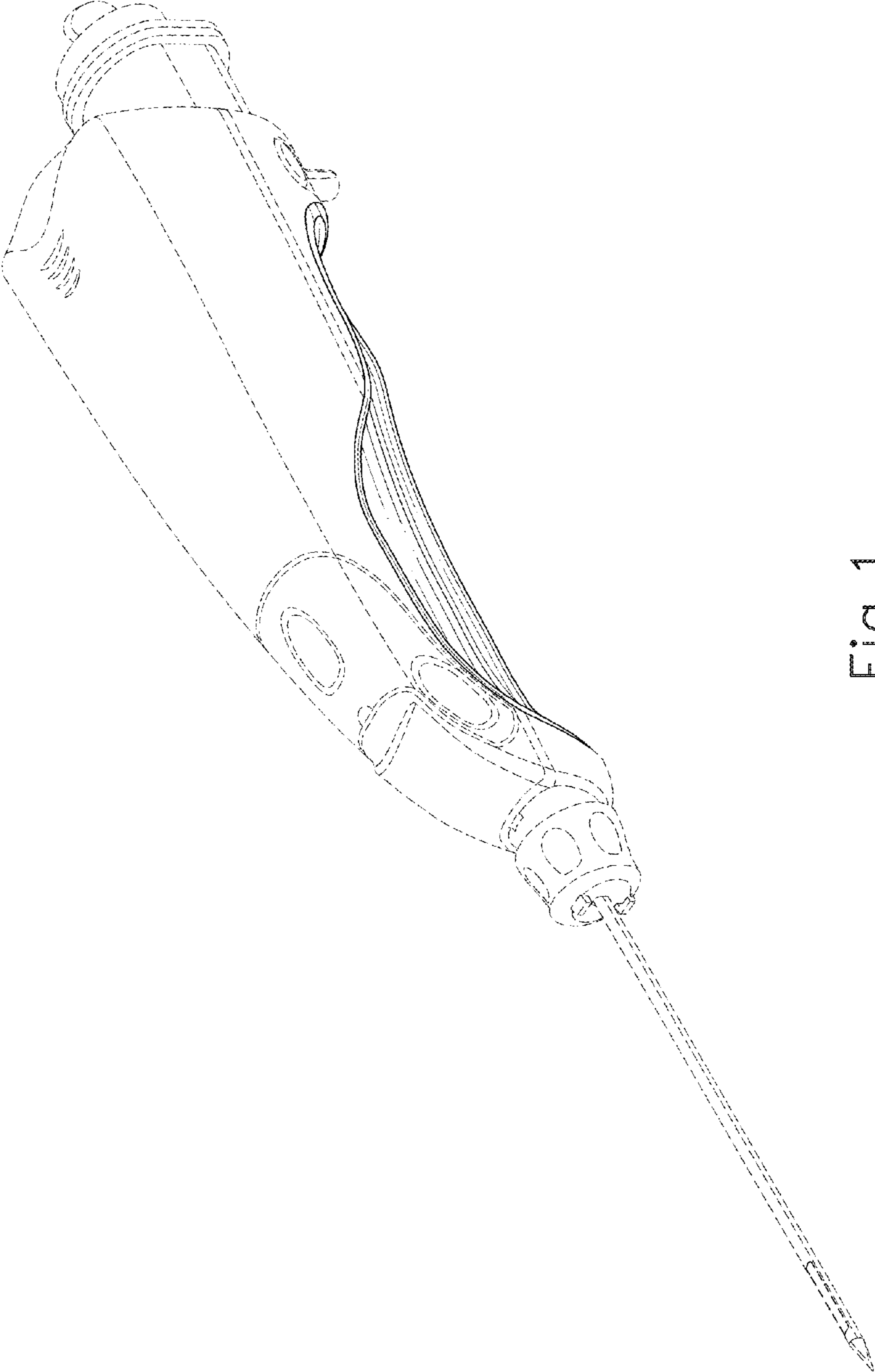


Fig. 1

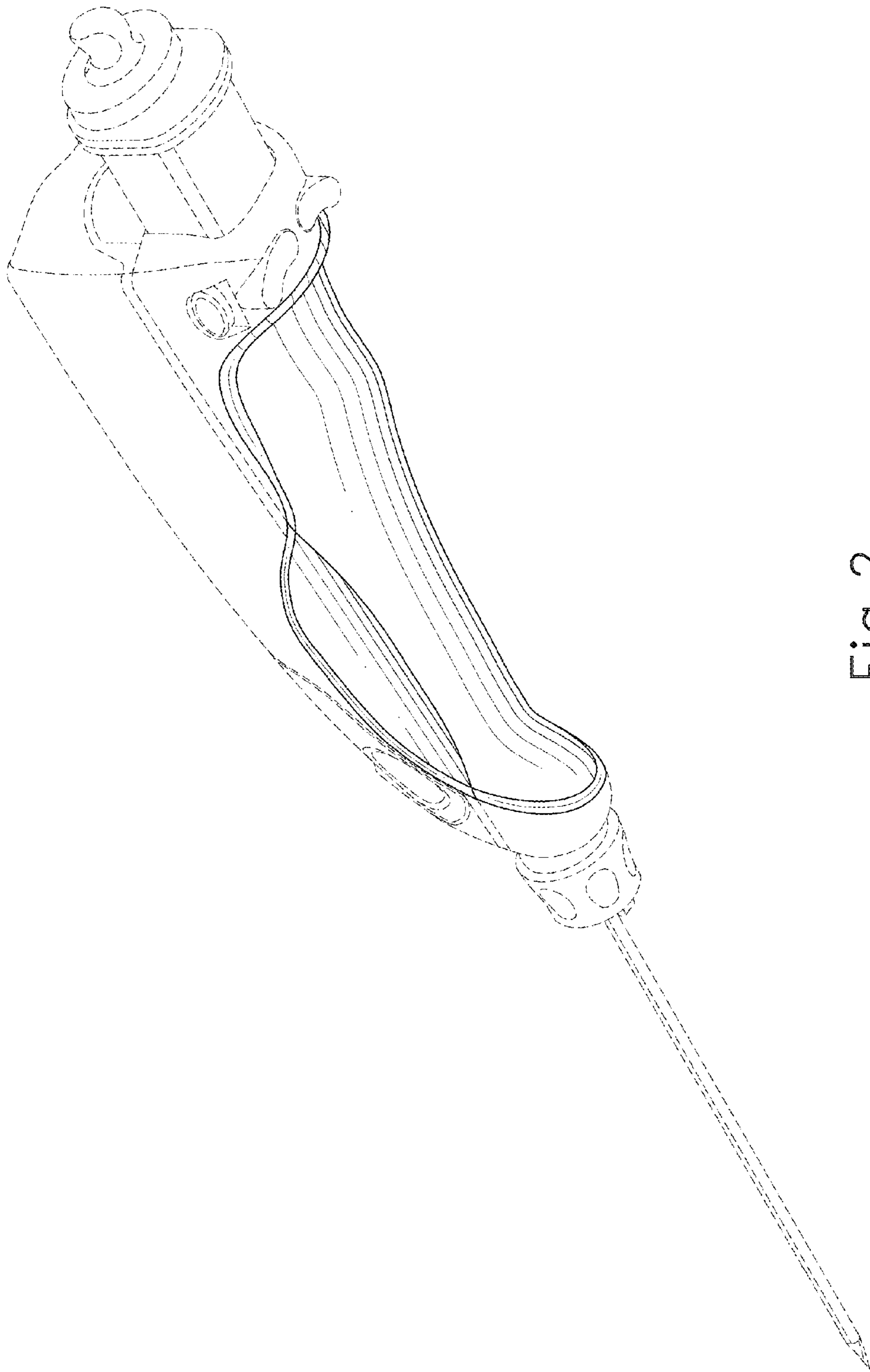


Fig. 2

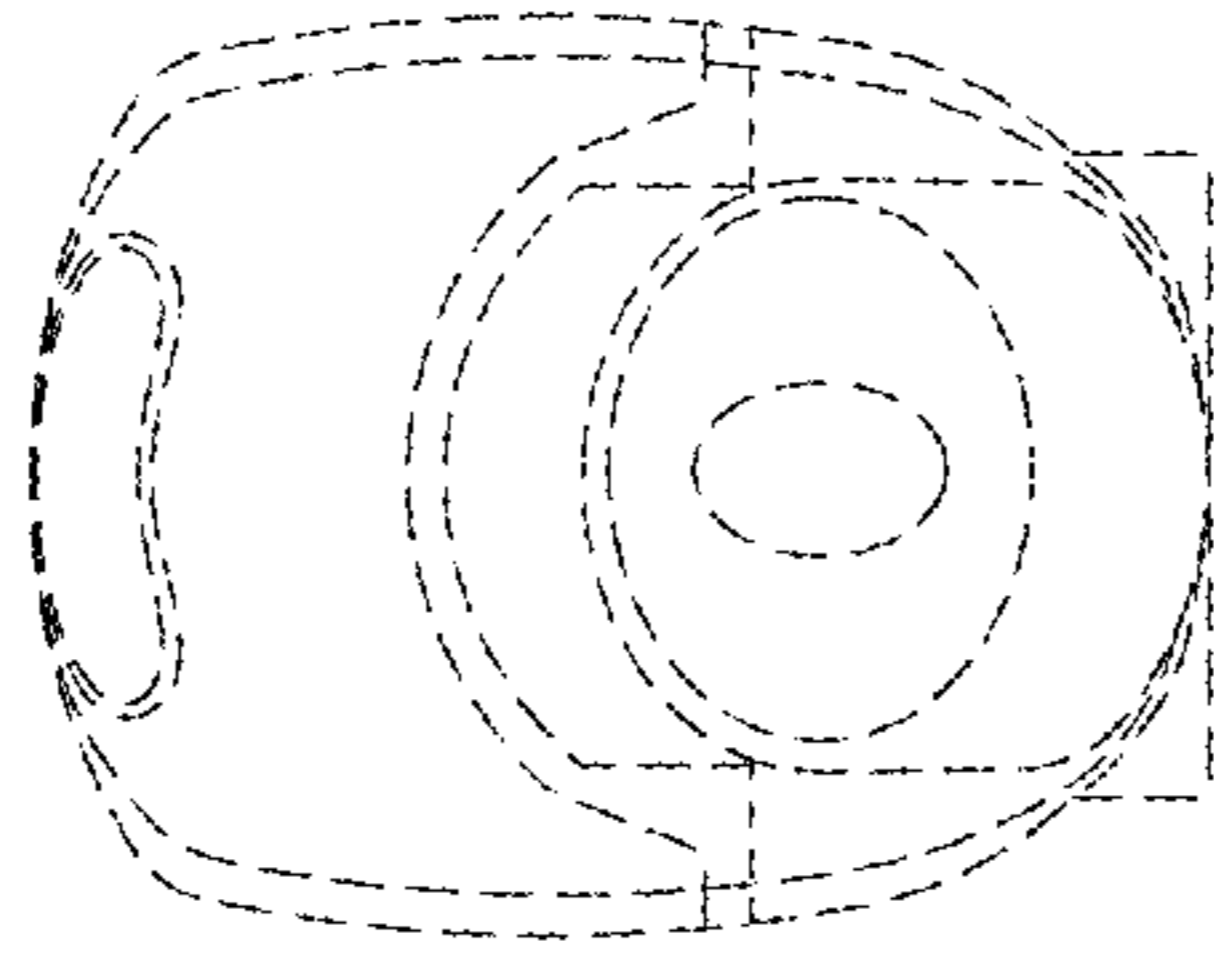


Fig. 4

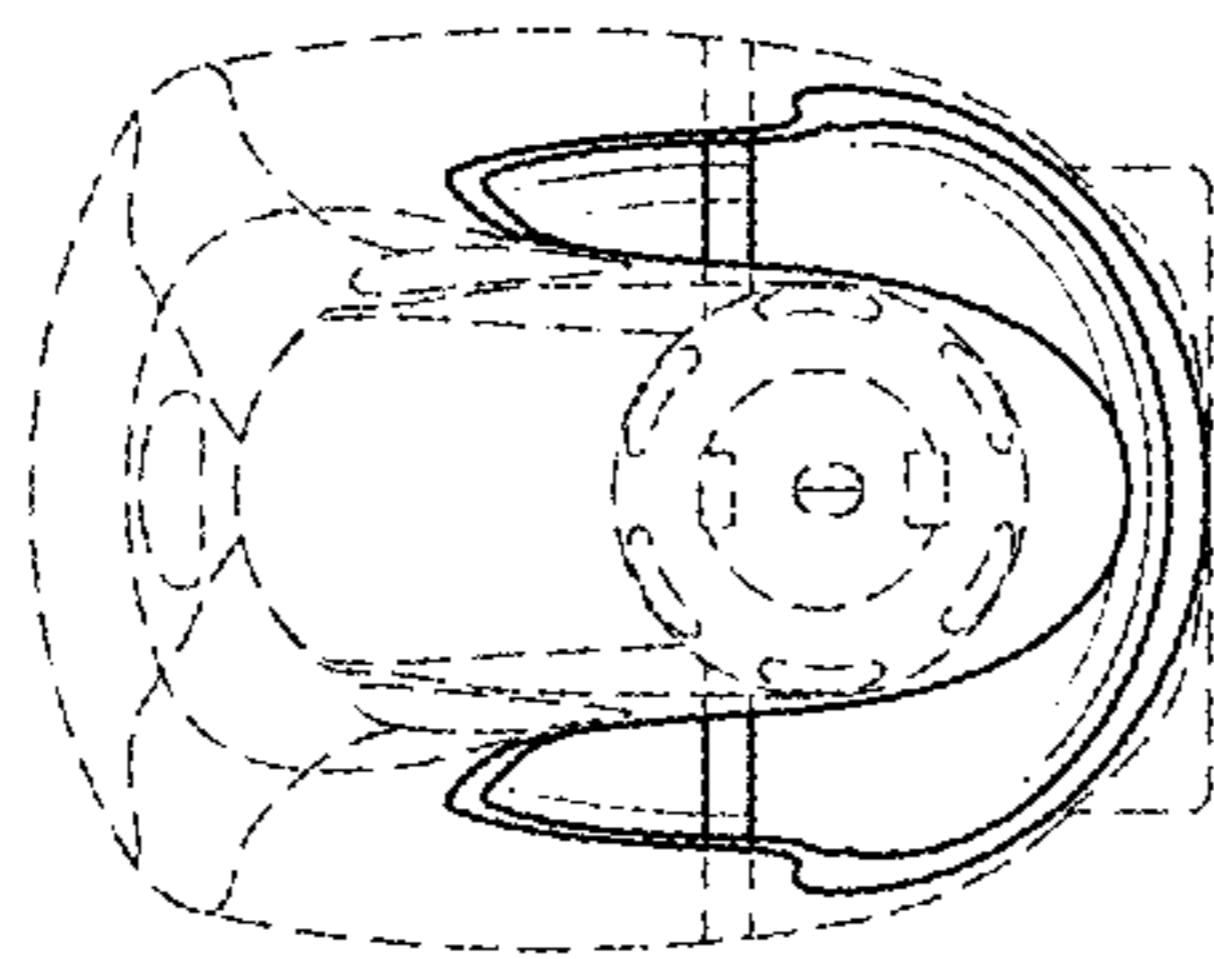


Fig. 3

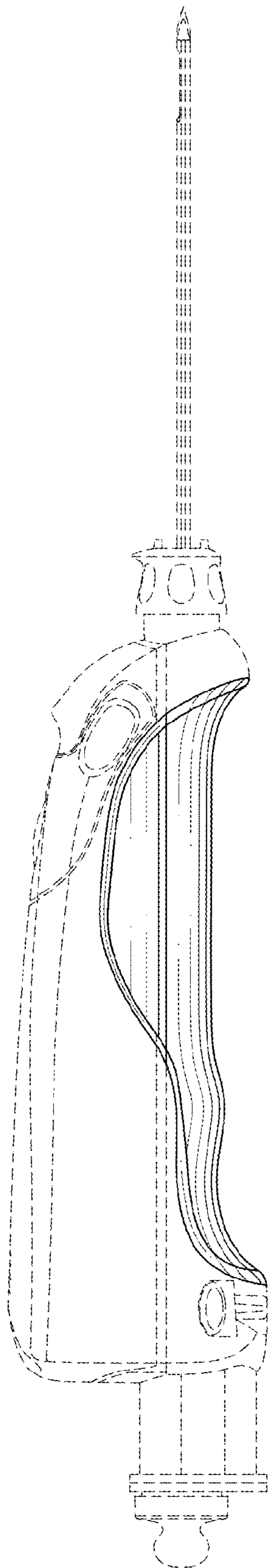


Fig. 5

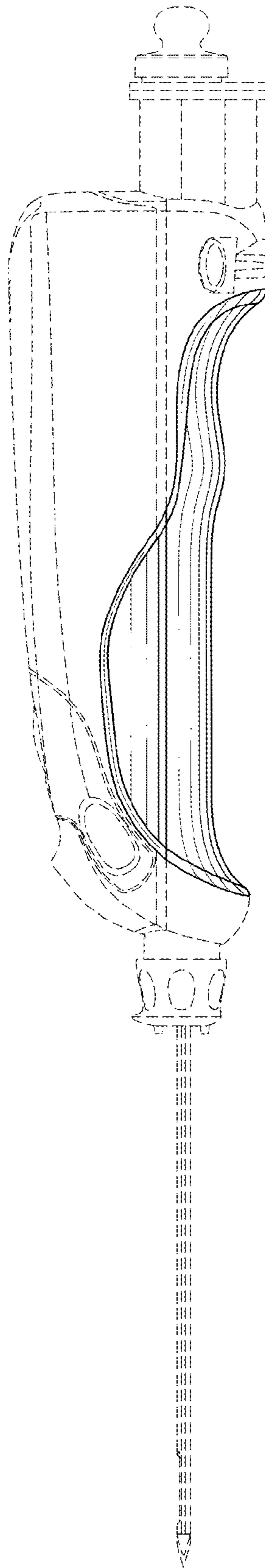


Fig. 6

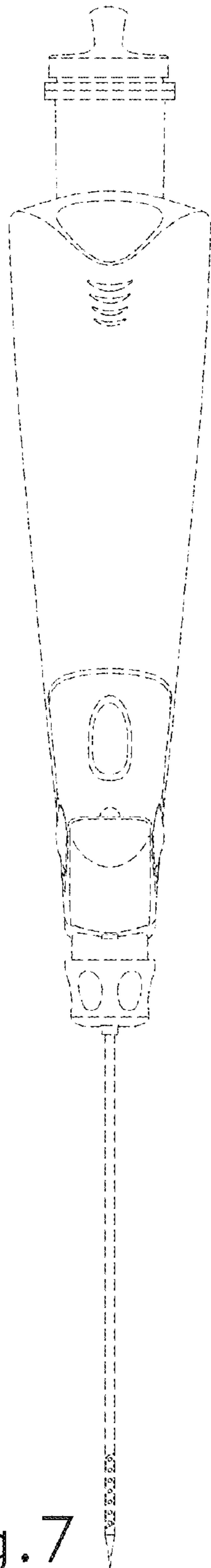


Fig. 7

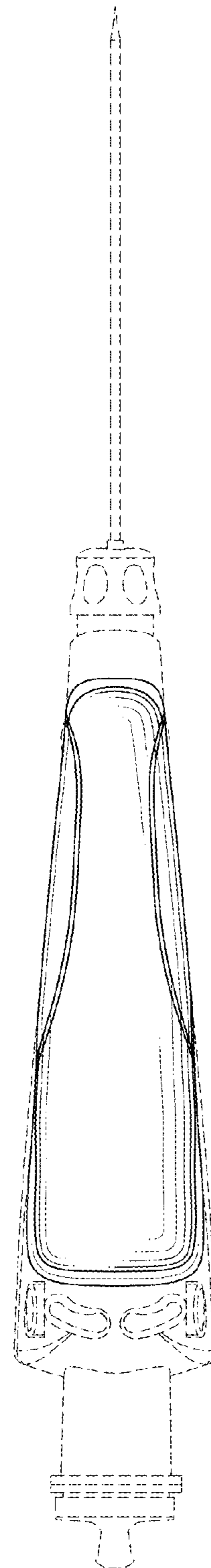


Fig. 8