



US00D690809S

(12) **United States Design Patent**
Hunt et al.

(10) **Patent No.:** **US D690,809 S**
(45) **Date of Patent:** **** Oct. 1, 2013**

(54) **STAPLER**

(75) Inventors: **John V. Hunt**, Cincinnati, OH (US);
Siliang Chen, Shanghai (CN); **Peter B. Madson**, Shanghai (CN); **Zhang Yang**, Shanghai (CN); **Shan Wan**, Mason, OH (US)

(73) Assignee: **Ethicon Endo-Surgery, Inc.**, Cincinnati, OH (US)

(**) Term: **14 Years**

(21) Appl. No.: **29/423,364**

(22) Filed: **May 31, 2012**

(51) **LOC (9) Cl.** **24-02**

(52) **U.S. Cl.**
USPC **D24/145**

(58) **Field of Classification Search**
USPC D24/145-147; 227/175.1, 175.3,
227/178.1, 181.1, 182.1, 901-902, 19; 606/219,
606/221, 139, 144
See application file for complete search history.

(56) **References Cited**

U.S. PATENT DOCUMENTS

3,080,564	A *	3/1963	Strekopitov et al.	227/19
D273,513	S *	4/1984	Spreckelmeier	D24/145
4,508,253	A *	4/1985	Green	227/19
4,605,004	A *	8/1986	Di Giovanni et al.	227/176.1
4,606,344	A *	8/1986	Di Giovanni	227/181.1

4,607,636	A *	8/1986	Kula et al.	227/181.1
D338,729	S *	8/1993	Sprecklemeier et al.	D24/145
D441,865	S *	5/2001	Racenet et al.	D24/145

OTHER PUBLICATIONS

Surgical stapler for alimentary canal (linear) AKZFC-60. Medical Expo, © 2013. [Retrieved on Feb. 12, 2013]. Retrieved from the Internet: <URL: <http://www.medicalexpo.com/prod/changzhou-anker-medical/surgical-staplers-for-aliment...>>.*

Ethicon, #TL60, Reloadable Linear Stapler 60 mm. WestCMR, © 2013. [Retrieved on Feb. 12, 2013]. Retrieved from the Internet: <URL: <http://stores.wemrdeals.com/-strse-4436/ETHICON-ENDO-TL60-60./detauk,bij?category...>>.*

* cited by examiner

Primary Examiner — Wan Laymon

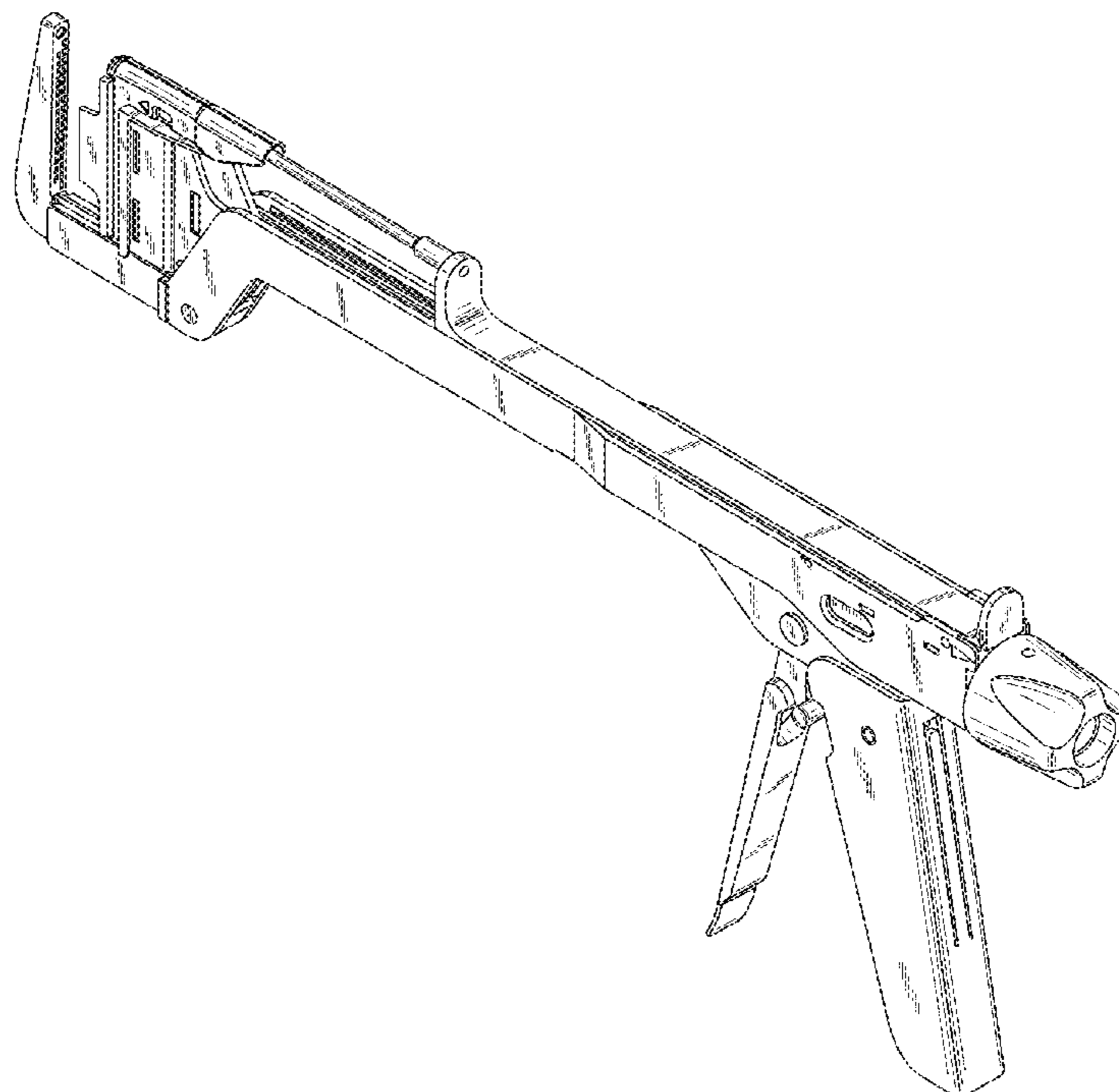
(57) **CLAIM**

The ornamental design for a stapler, as shown and described.

DESCRIPTION

FIG. 1 is a front end view of the stapler
FIG. 2 is a rear end view of the stapler
FIG. 3 is a left side view of the stapler
FIG. 4 is a right side view of the stapler
FIG. 5 is a top plan view of the stapler
FIG. 6 is a bottom plan view of the stapler; and,
FIG. 7 is a perspective view of the stapler.
Portions of the stapler shown in broken lines form no part of the claimed design.

1 Claim, 6 Drawing Sheets



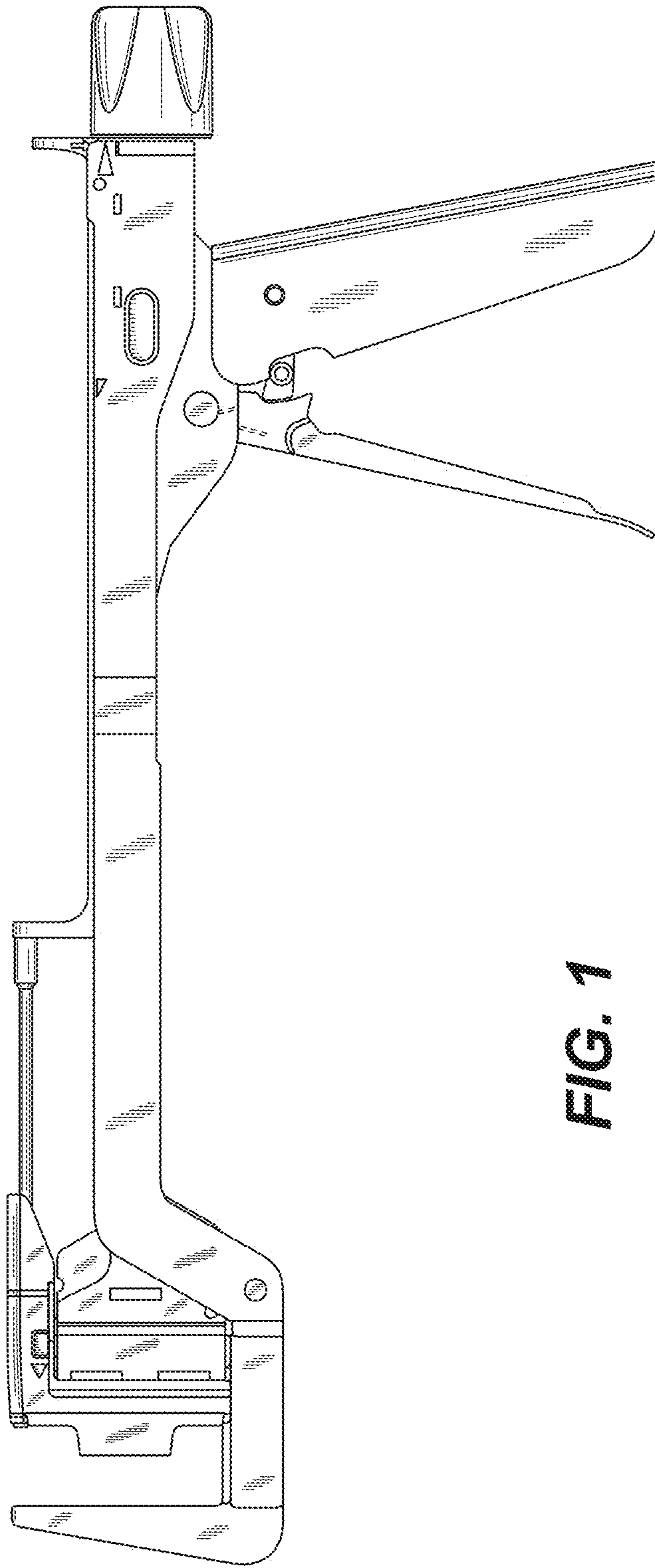


FIG. 1

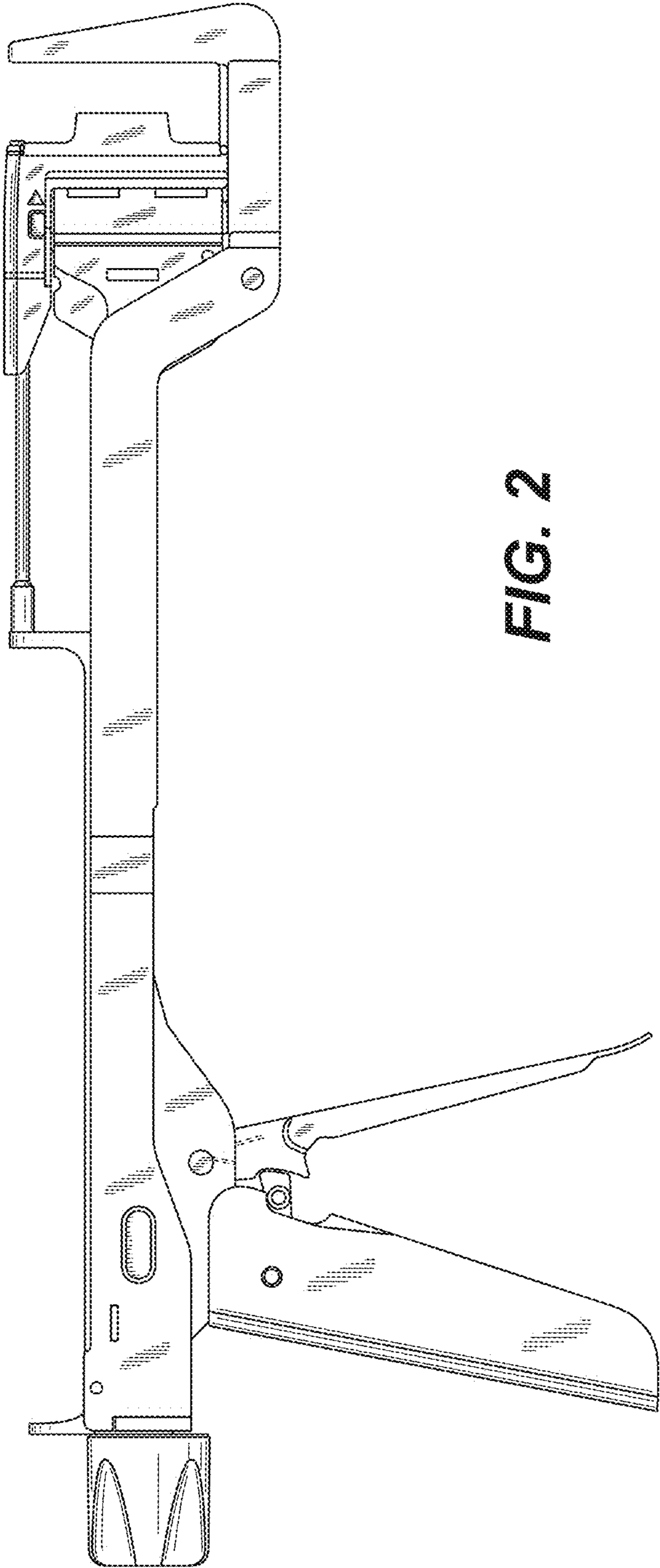


FIG. 2

FIG. 3

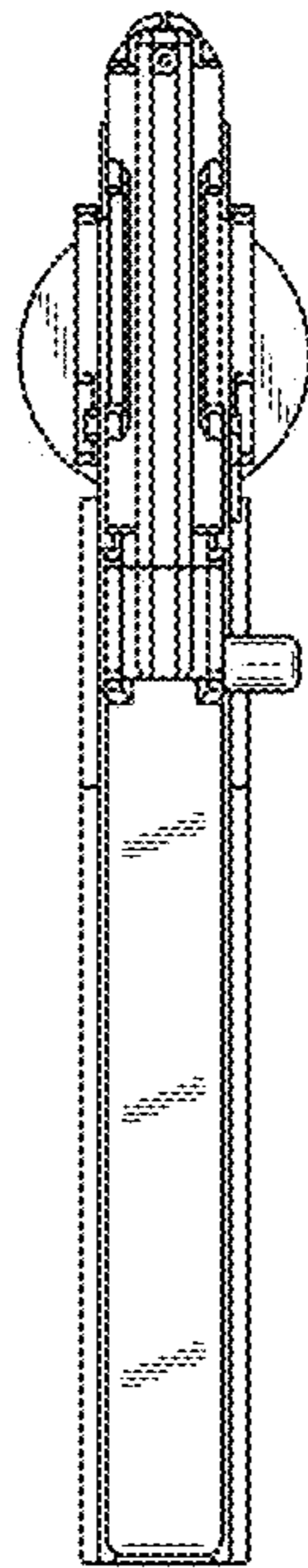


FIG. 4

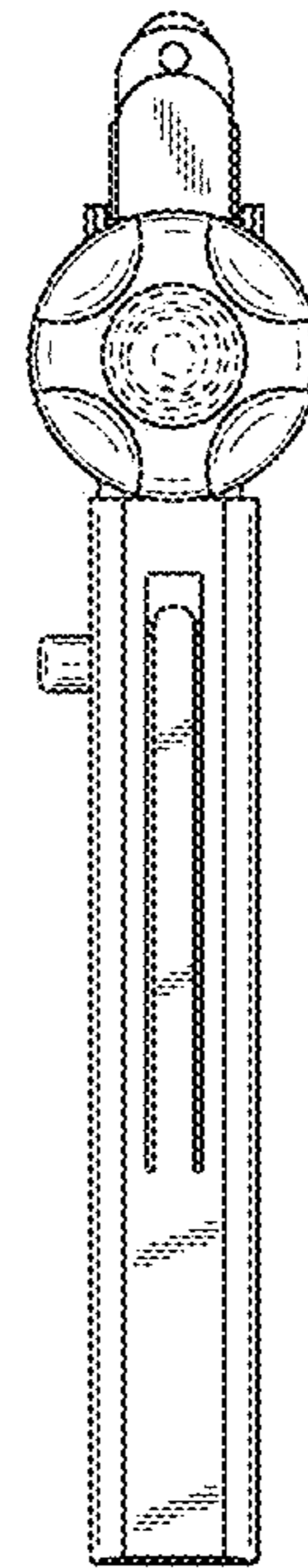


FIG. 5

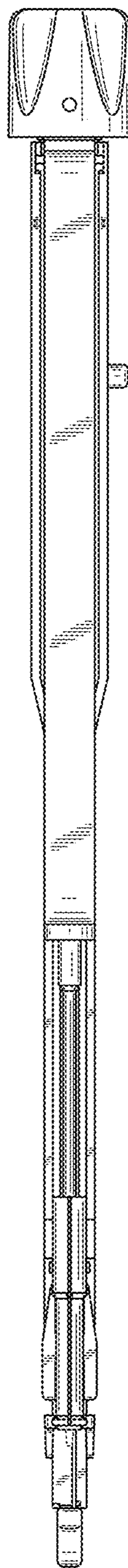
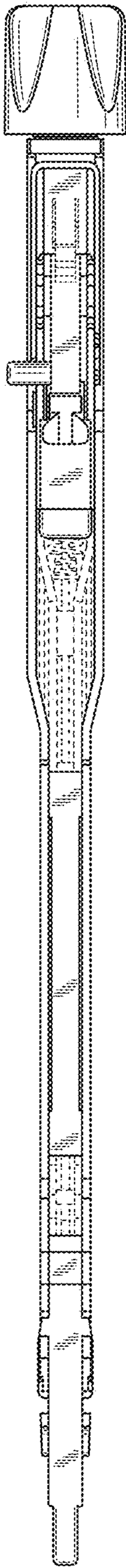


FIG. 6



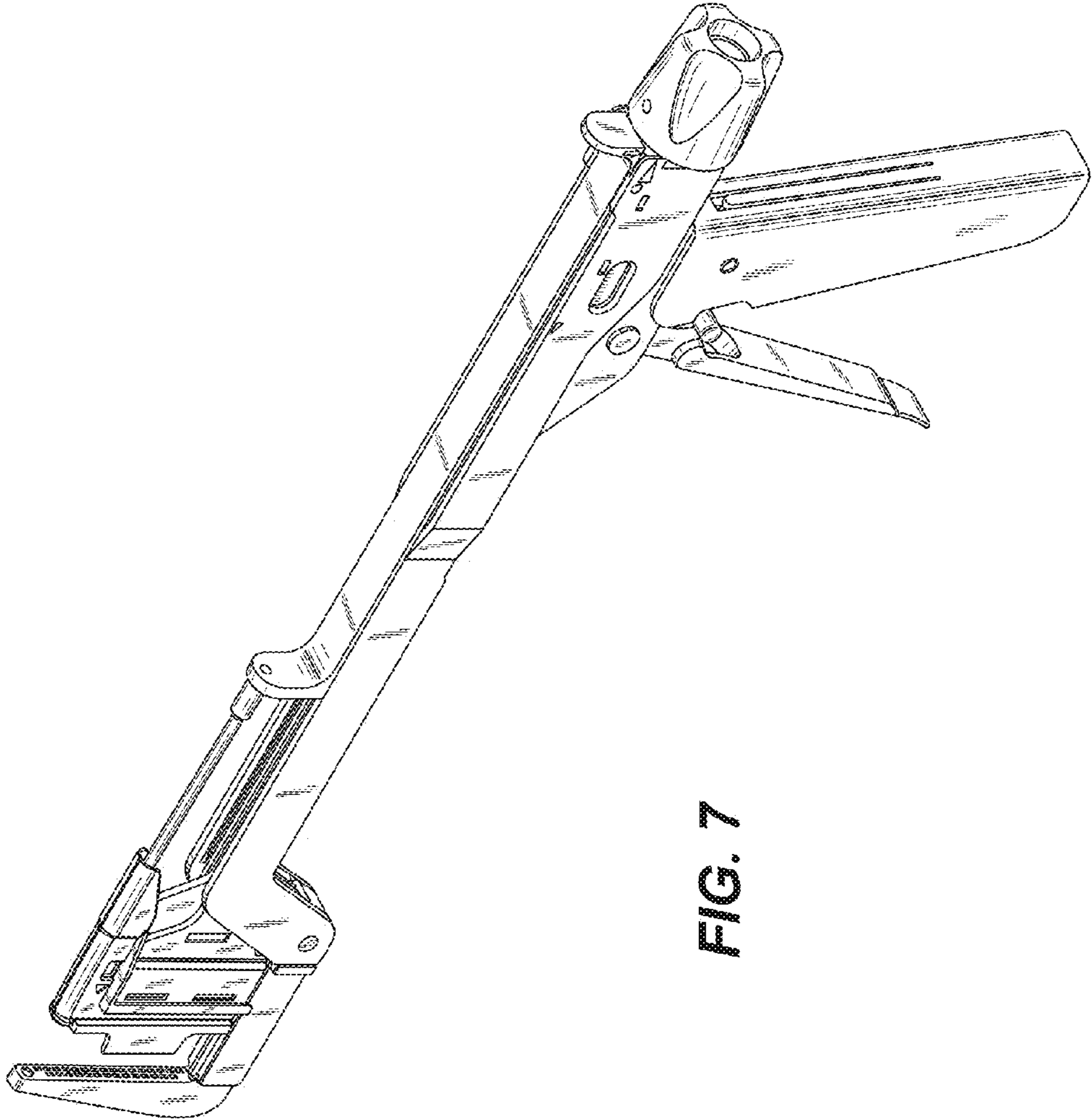


FIG. 7