



US00D690807S

(12) **United States Design Patent**  
**Ivosevic**

(10) **Patent No.:** **US D690,807 S**

(45) **Date of Patent:** **\*\* Oct. 1, 2013**

(54) **PLUNGER ROD HAVING RETAINING ANCHORS**

(75) Inventor: **Milan Ivosevic**, Kinnelon, NJ (US)

(73) Assignee: **Becton, Dickinson and Company**, Franklin Lakes, NJ (US)

(\*\*) Term: **14 Years**

(21) Appl. No.: **29/406,272**

(22) Filed: **Nov. 11, 2011**

(51) **LOC (9) Cl.** ..... **24-02**

(52) **U.S. Cl.**  
USPC ..... **D24/130**

(58) **Field of Classification Search**  
USPC ..... D24/127-131, 112-114, 133, 186;  
606/181, 185; 604/264, 272, 115, 232, 187,  
604/158, 164.08, 192, 263, 163, 181, 184,  
604/198, 227; 600/101, 139, 143; 128/200.24,  
128/207.14, 207.15

See application file for complete search history.

(56) **References Cited**

U.S. PATENT DOCUMENTS

D287,053	S	*	12/1986	Bucchianeri et al.	.....	D24/130
D366,698	S	*	1/1996	Stiehl et al.	.....	D24/114
6,494,866	B1		12/2002	Robinson		
6,663,601	B2	*	12/2003	Hetzler et al.	.....	604/181
D489,819	S	*	5/2004	Ford	.....	D24/114
D506,829	S	*	6/2005	Baker et al.	.....	D24/130
D578,210	S	*	10/2008	Muta et al.	.....	D24/114
7,704,426	B2		4/2010	Earhart et al.		
7,828,768	B2	*	11/2010	Chen	.....	604/198
D638,122	S	*	5/2011	Kosinski et al.	.....	D24/130
D663,415	S	*	7/2012	Tamura et al.	.....	D24/130
D667,108	S	*	9/2012	Mottahed	.....	D24/130

D667,950	S	*	9/2012	Hyun et al.	.....	D24/130
D673,268	S	*	12/2012	Kommireddy	.....	D24/130
D674,086	S	*	1/2013	Khalaj	.....	D24/114
2008/0167625	A1		7/2008	Earhart et al.		
2012/0253291	A1		10/2012	Ivosevic et al.		
2012/0253292	A1		10/2012	Ivosevic et al.		

FOREIGN PATENT DOCUMENTS

WO			93/09827	A1		5/1993
WO			2006/119667	A1		11/2006

\* cited by examiner

*Primary Examiner* — David Muller

(74) *Attorney, Agent, or Firm* — The Webb Law Firm

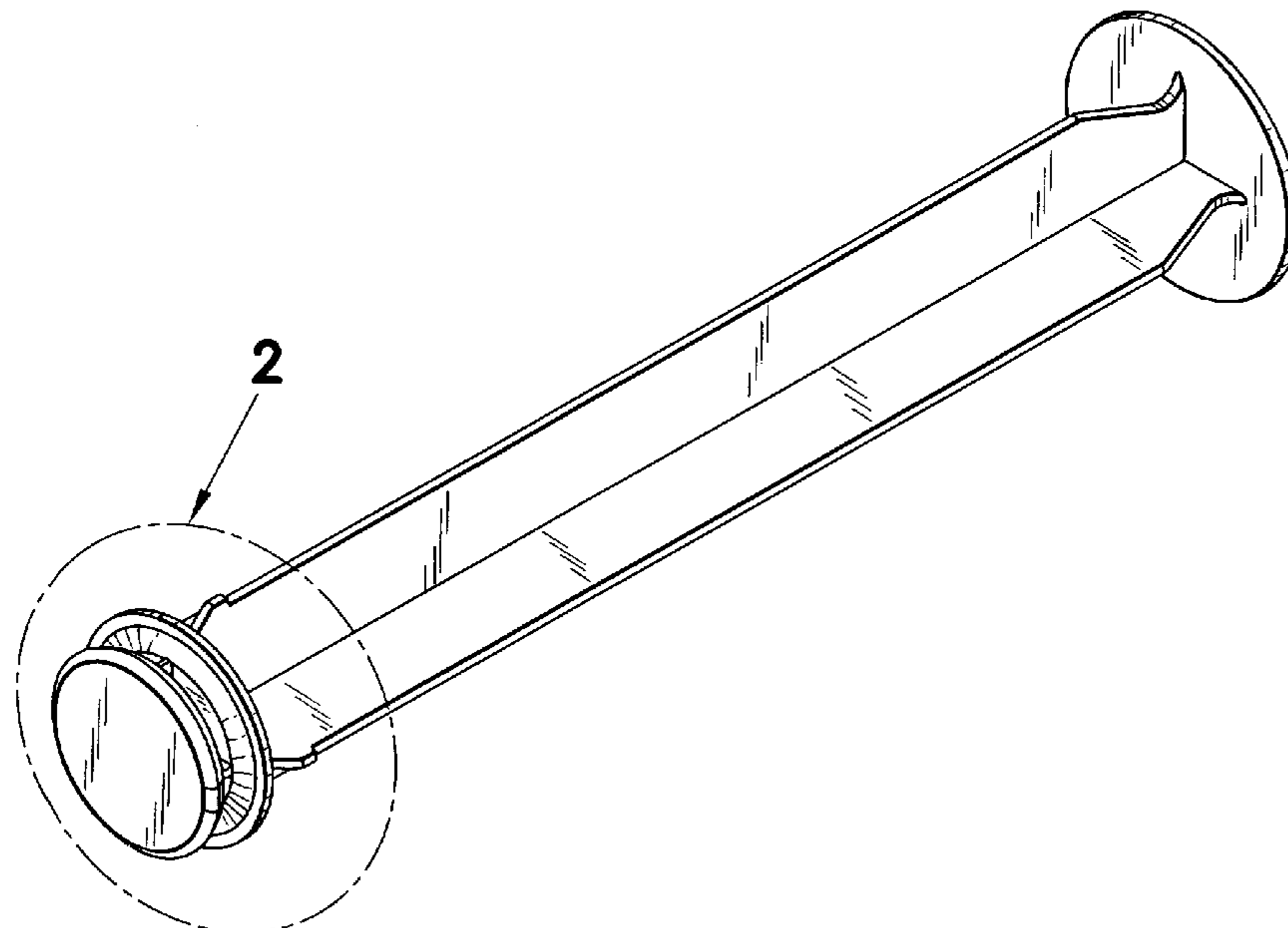
(57) **CLAIM**

The ornamental design for a plunger rod having retaining anchors, as shown and described.

**DESCRIPTION**

FIG. 1 is a perspective view of a plunger rod having retaining anchors in accordance with the present invention;  
 FIG. 2 is an enlarged partial perspective view of the plunger rod having retaining anchors of FIG. 1;  
 FIG. 3 is a top plan view of the plunger rod having retaining anchors of FIG. 1;  
 FIG. 4 is a bottom plan view thereof;  
 FIG. 5 is a front elevation view thereof;  
 FIG. 6 is a rear elevation view thereof; and,  
 FIG. 7 is a right side elevation view thereof, with the left side view being a mirror image.  
 The dash dot lines in FIGS. 1 and 2 are included for the purpose of illustrating an enlarged area and form no part of the claimed design.

**1 Claim, 3 Drawing Sheets**



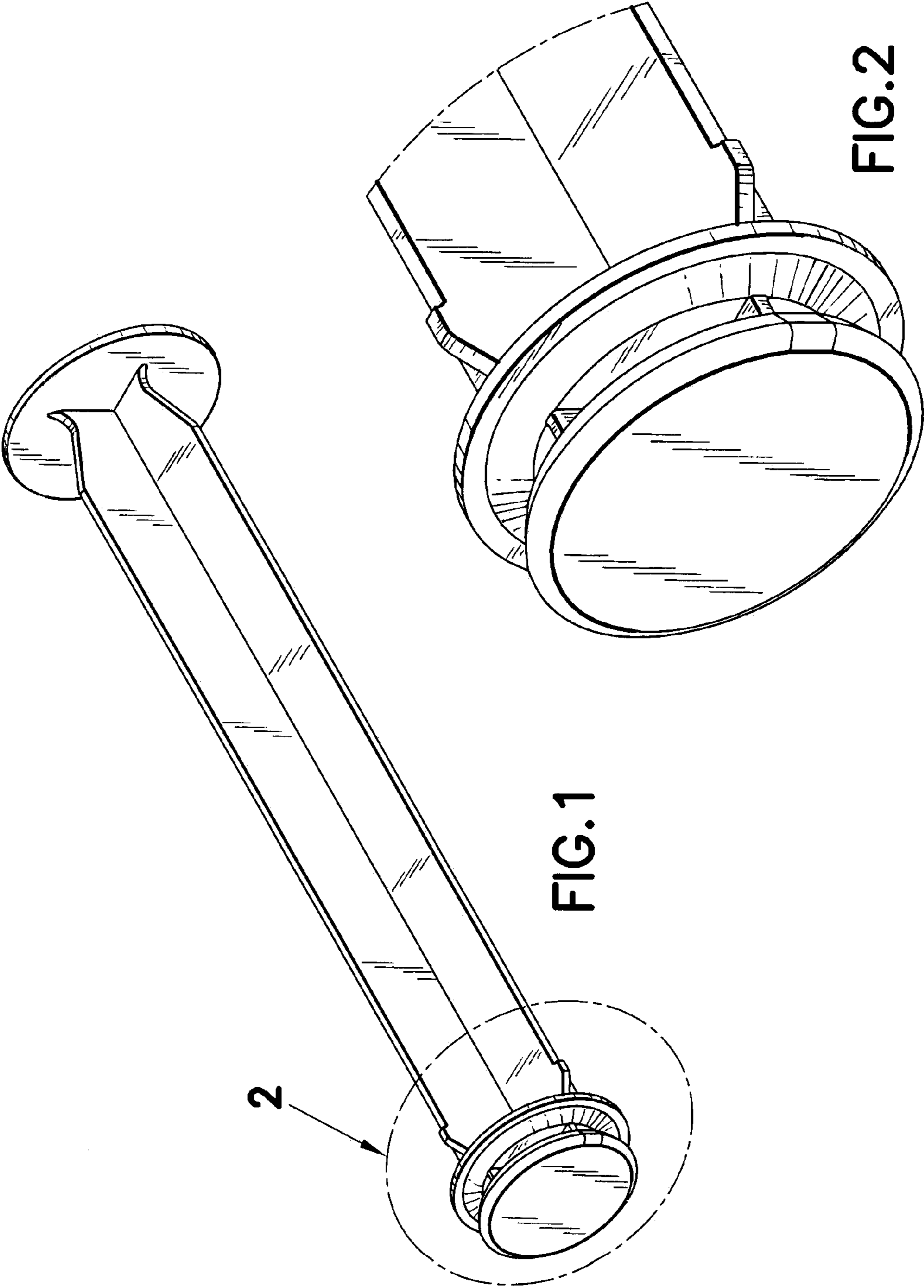


FIG. 1

FIG. 2

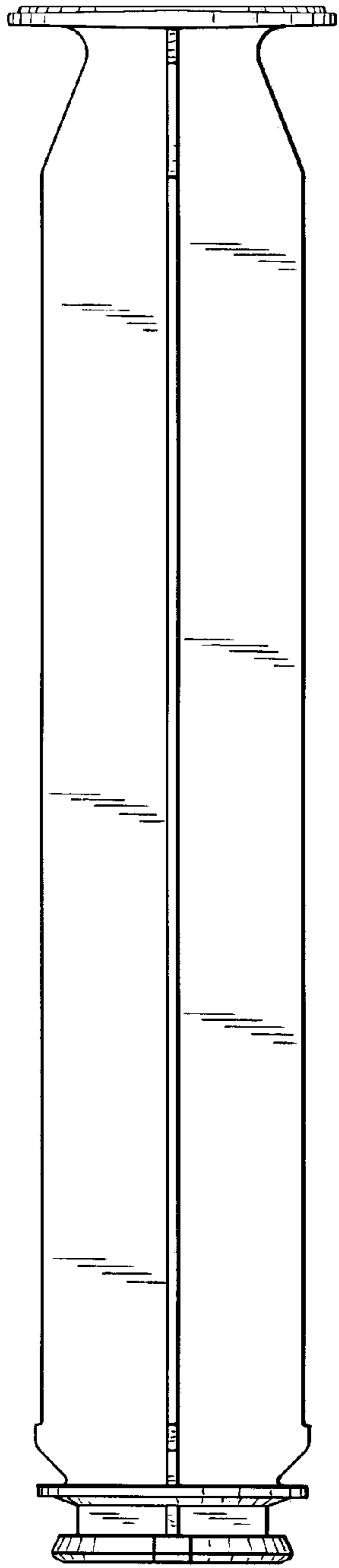


FIG. 3

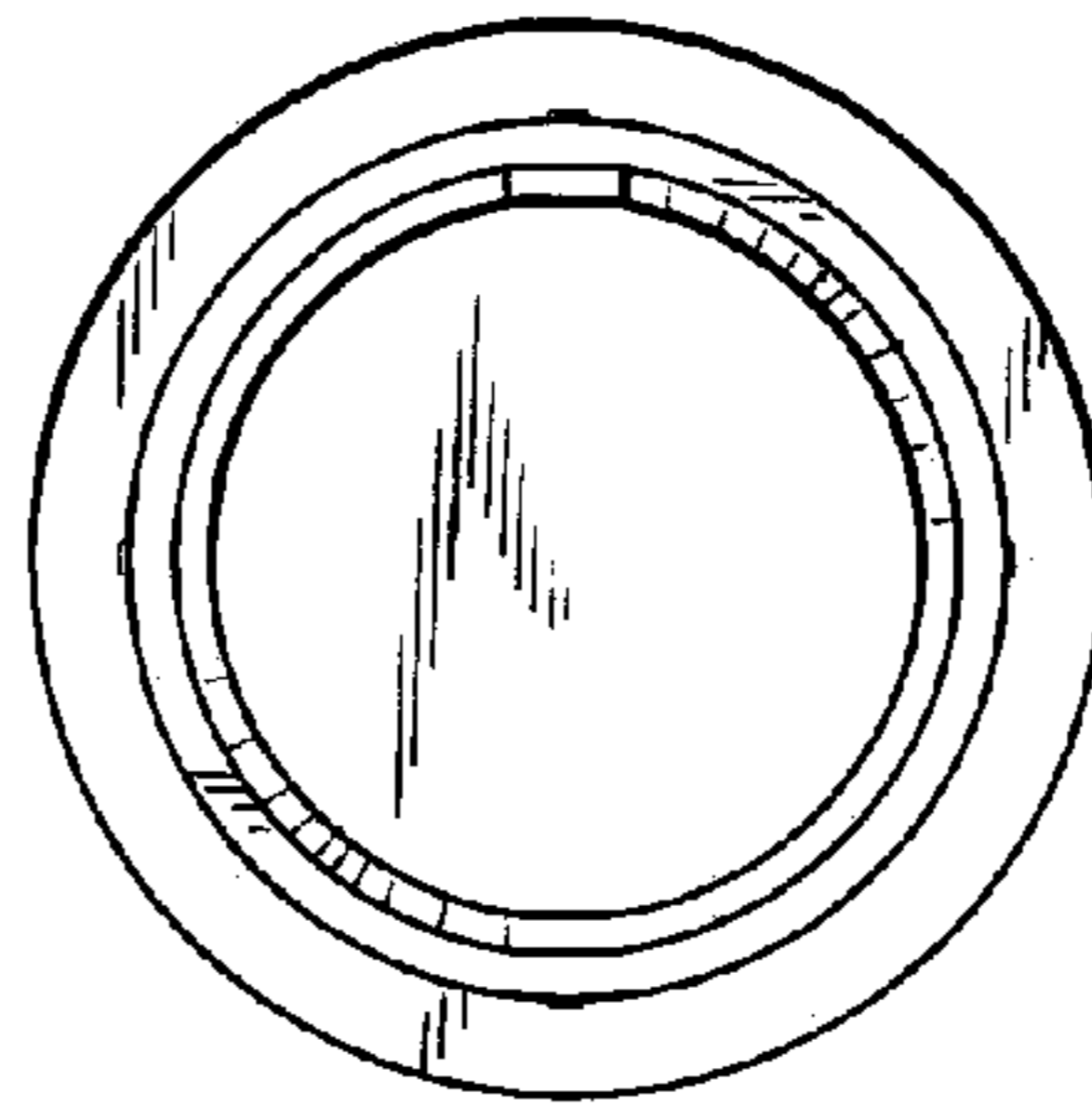


FIG. 5

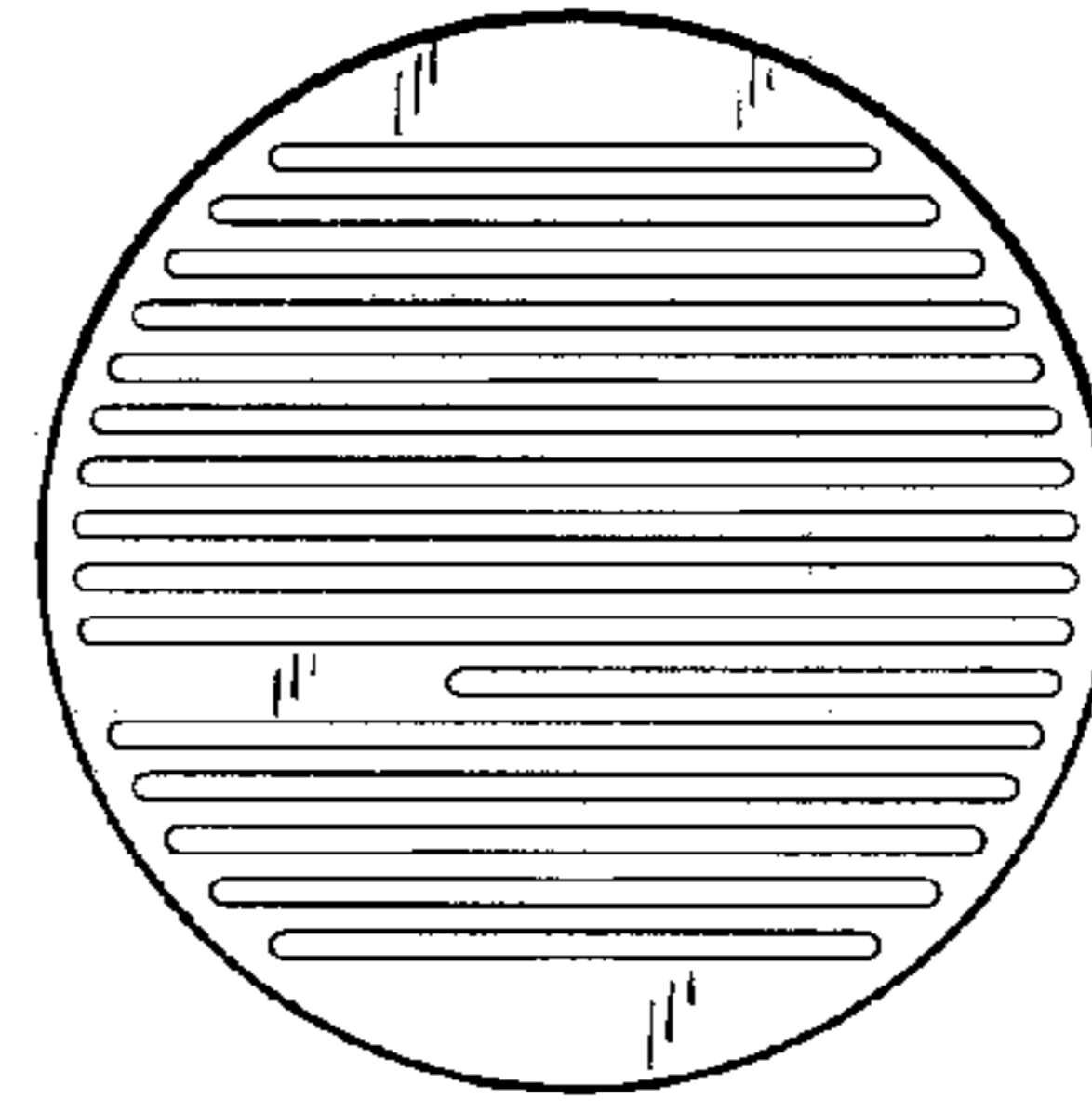


FIG. 6

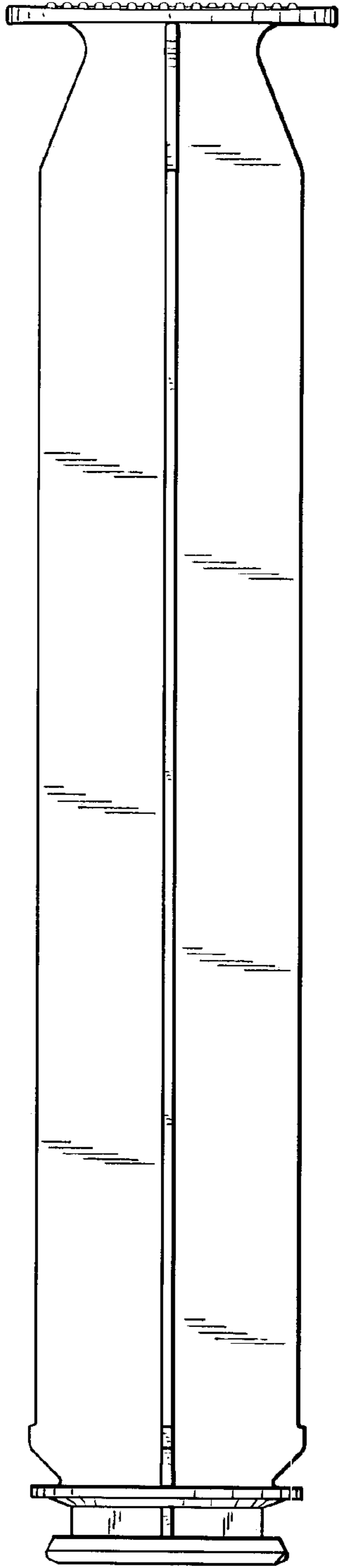


FIG. 4

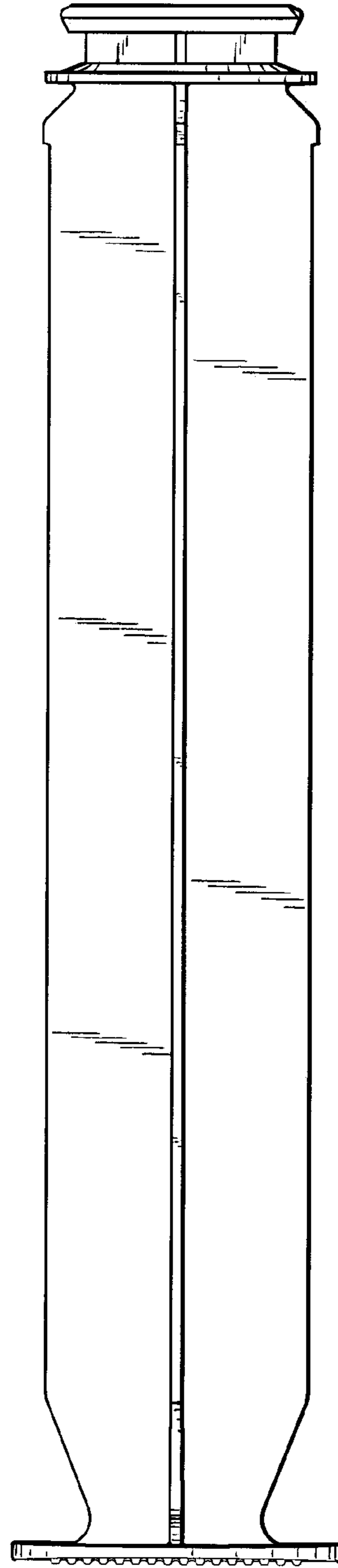


FIG. 7