

US00D690804S

(12) **United States Design Patent**
Bisla et al.

(10) **Patent No.:** **US D690,804 S**
(45) **Date of Patent:** **** Oct. 1, 2013**

- (54) **NOVELTY FAN**
- (75) Inventors: **Jagdip S. Bisla**, Fresno, CA (US);
Robby Chima, Fresno, CA (US)
- (73) Assignee: **Jagdip S. Bisla**, Fresno, CA (US)
- (**) Term: **14 Years**
- (21) Appl. No.: **29/416,823**
- (22) Filed: **Mar. 27, 2012**
- (51) **LOC (9) Cl.** **23-04**
- (52) **U.S. Cl.**
USPC **D23/370**
- (58) **Field of Classification Search**
USPC D23/314, 332, 342, 355, 370, 381,
D23/386, 411, 412, 413, 414, 378, 382;
D26/32, 57, 73, 94, 125, 145, 146, 147, 156;
D29/102, 105-108, 110, 111; 415/90, 121.2,
415/181, 182.1, 208.2, 209.2, 211.2; 416/110,
416/206, 240, 244 R, 246, 247 R; 2/410,
2/414, 425; D10/6, 8; D12/197; D14/189,
D14/371
See application file for complete search history.

5,097,538 A *	3/1992	Feuling	2/410
D326,148 S *	5/1992	Lawlor	D23/382
D330,096 S *	10/1992	Heinrich	D29/107
D341,878 S *	11/1993	Cich, Jr.	D23/335
D376,641 S *	12/1996	Bucher	D23/377
D379,222 S *	5/1997	Kuo	D23/411
D382,953 S *	8/1997	Kuo	D23/377
D416,083 S *	11/1999	Altman	D23/381
D426,545 S *	6/2000	Smith et al.	D14/371
6,301,718 B1 *	10/2001	Rigal	2/411
D461,152 S *	8/2002	Schmitt	D12/197
D479,019 S *	8/2003	Lishen	D29/102
6,934,972 B2 *	8/2005	Desjardins et al.	2/425
D518,738 S *	4/2006	Dreggors	D10/6
D575,436 S *	8/2008	Nunes	D26/73
7,673,351 B2 *	3/2010	Copeland et al.	2/425
7,722,301 B2 *	5/2010	Rosenblum	410/10
D628,748 S *	12/2010	Stewart	D29/102

* cited by examiner

Primary Examiner — Caron D Veynar
Assistant Examiner — Martie K Holtje
(74) *Attorney, Agent, or Firm* — Blue Capital Law Firm, P.C.

(57) **CLAIM**
The ornamental design for a novelty fan, as shown and described.

(56) **References Cited**

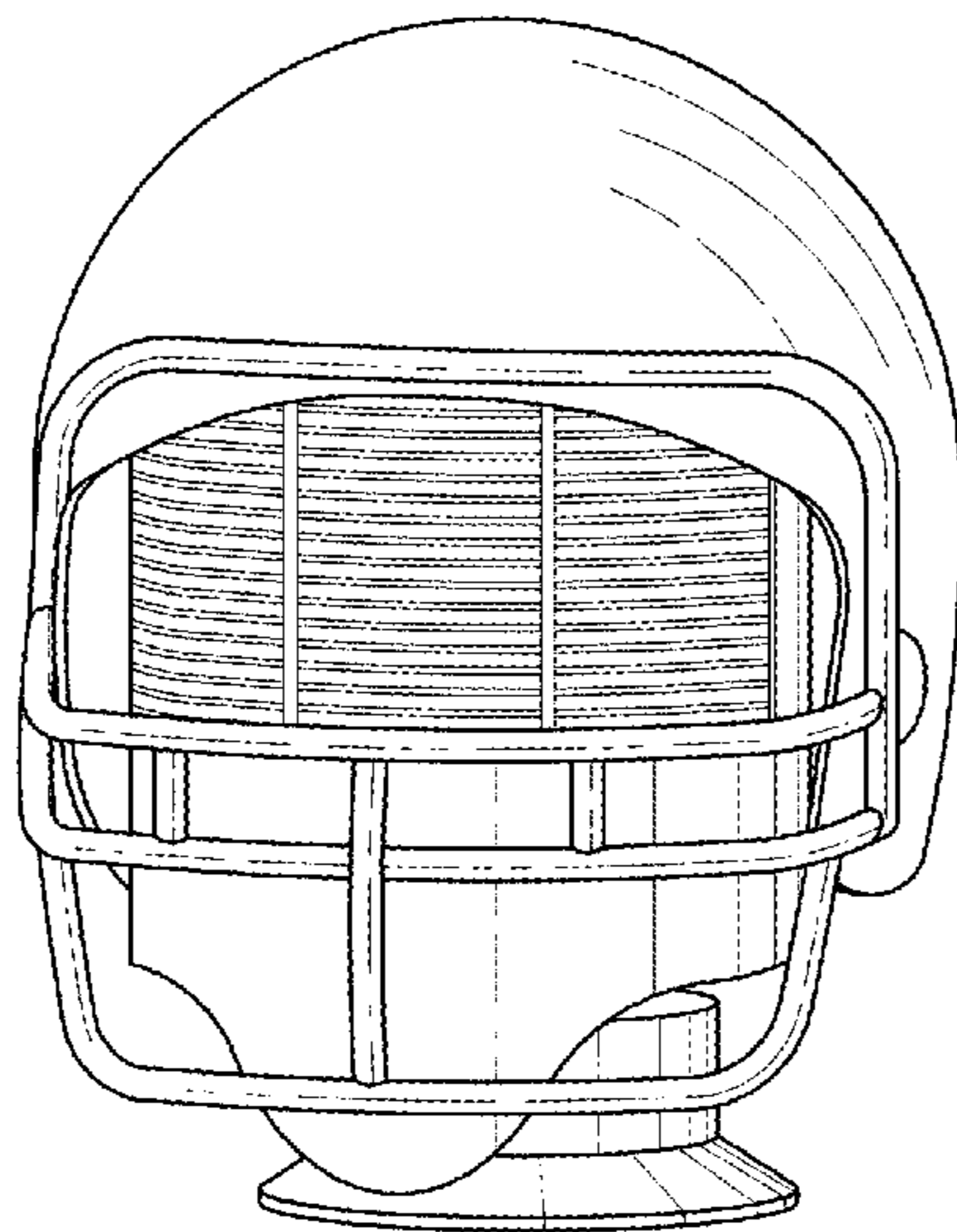
U.S. PATENT DOCUMENTS

D241,163 S *	8/1976	Zivica	D14/189
D246,934 S *	1/1978	Keller	D26/73
D257,888 S *	1/1981	Perich	D26/26
D306,203 S *	2/1990	Wei	D23/381
D308,637 S *	6/1990	Howe	D10/6
D311,594 S *	10/1990	Medina	D26/47
4,964,178 A *	10/1990	Giancarlo et al.	2/414
D321,845 S *	11/1991	Nys	D11/157

DESCRIPTION

FIG. 1 is a perspective view of a novelty fan showing our new design;
FIG. 2 is a side elevational view of the novelty fan thereof;
FIG. 3 is a front elevational view of the novelty fan thereof;
and,
FIG. 4 is a rear elevational view of the novelty fan thereof.

1 Claim, 2 Drawing Sheets



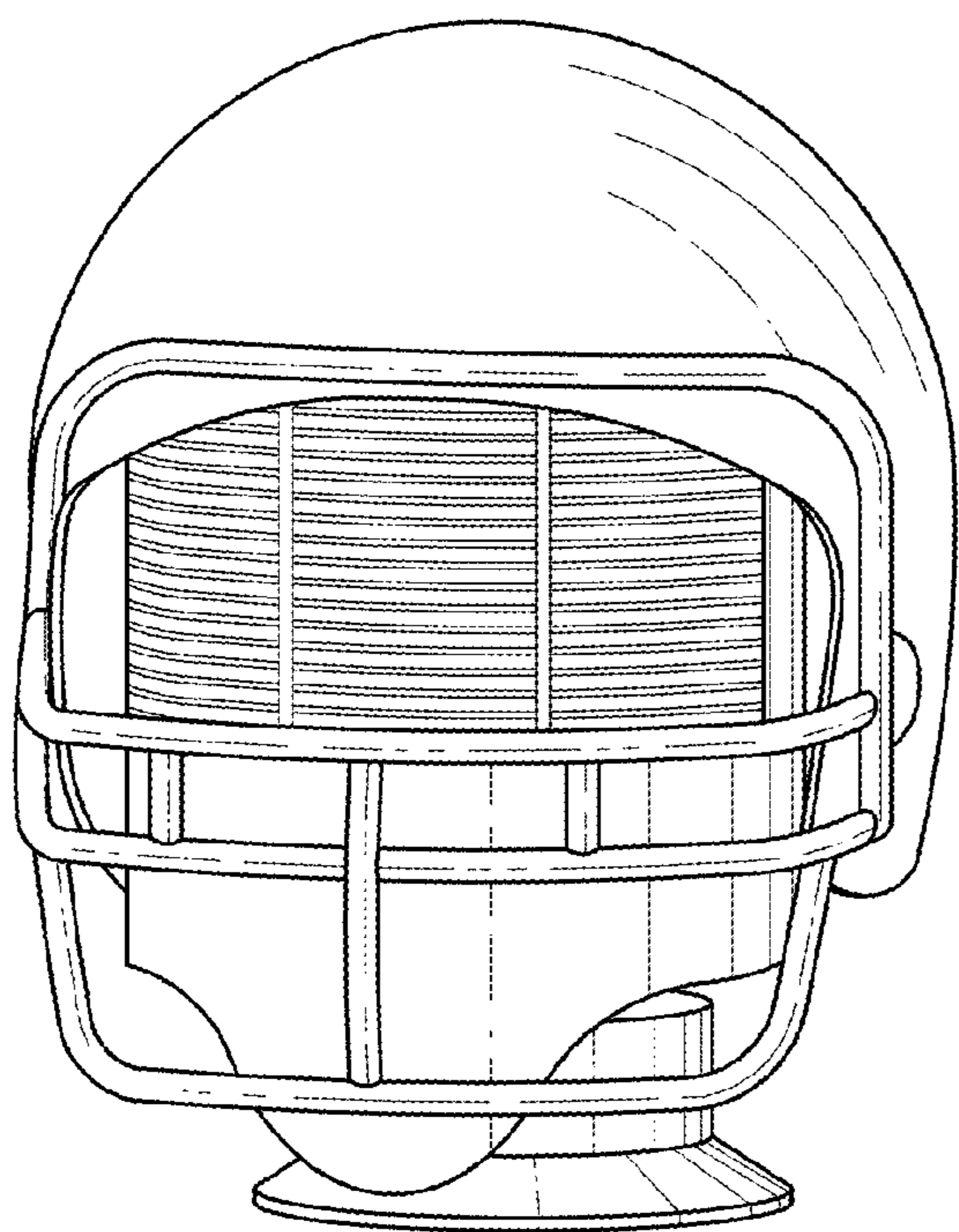


FIG. 1

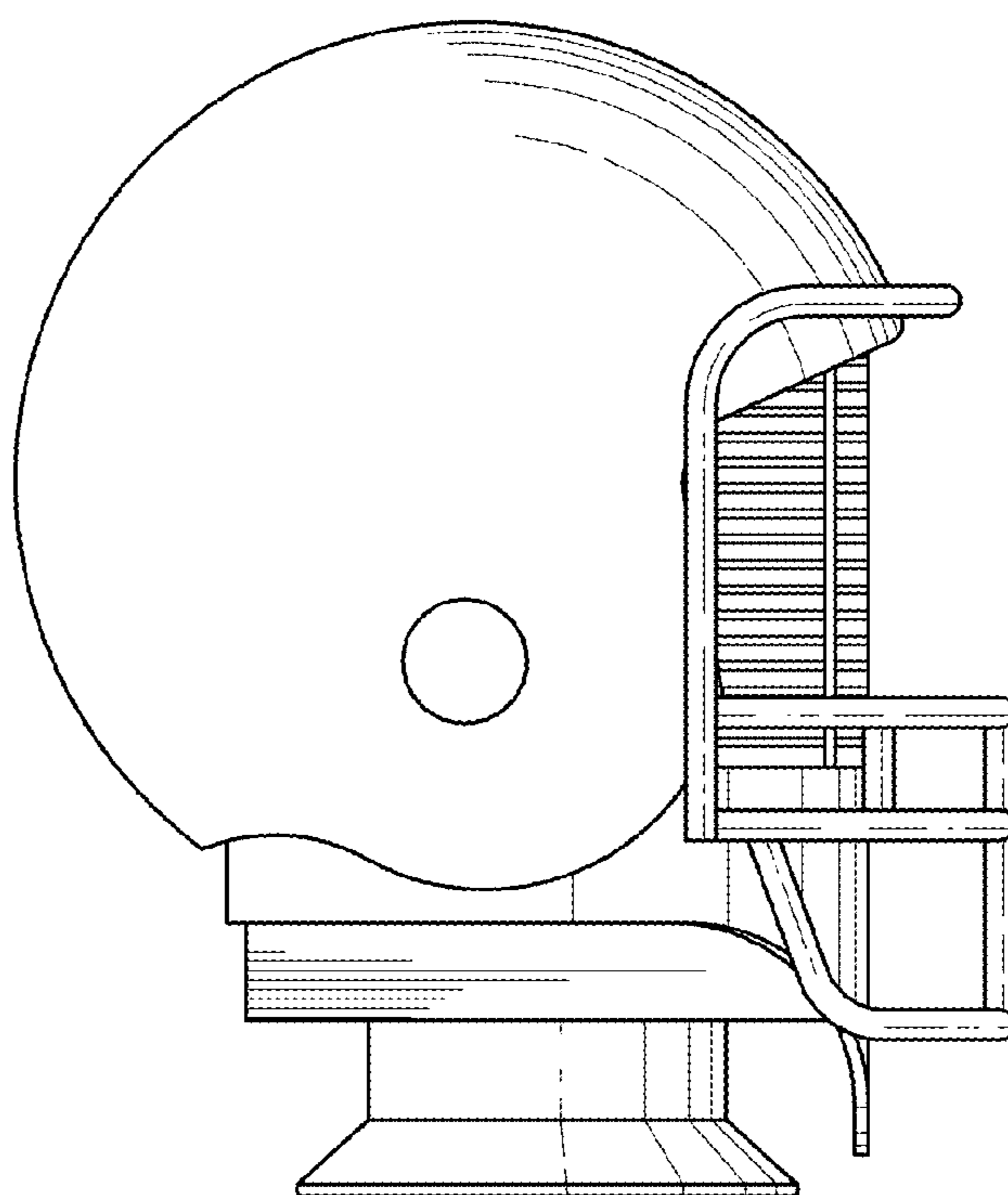


FIG. 2

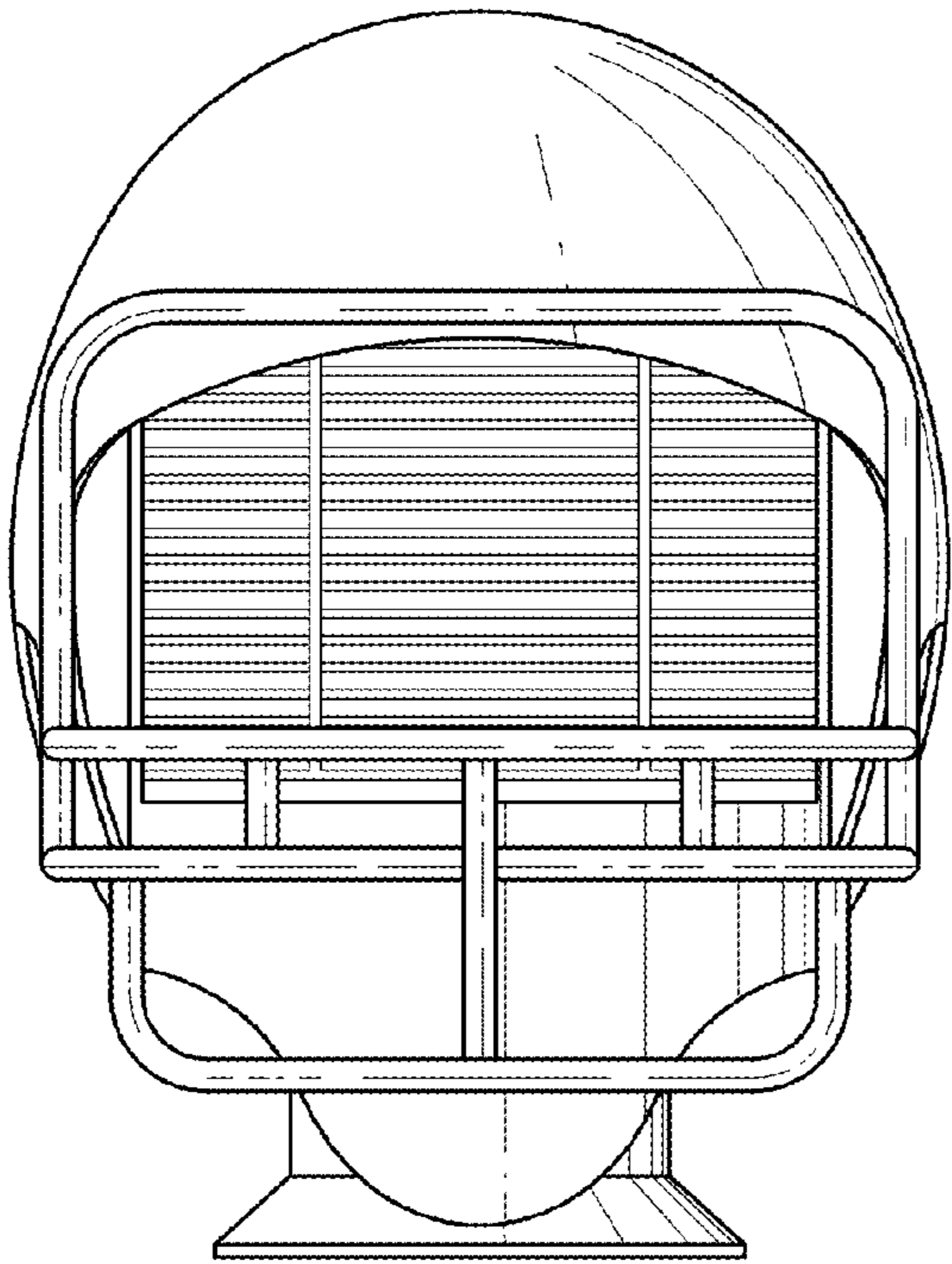


FIG. 3

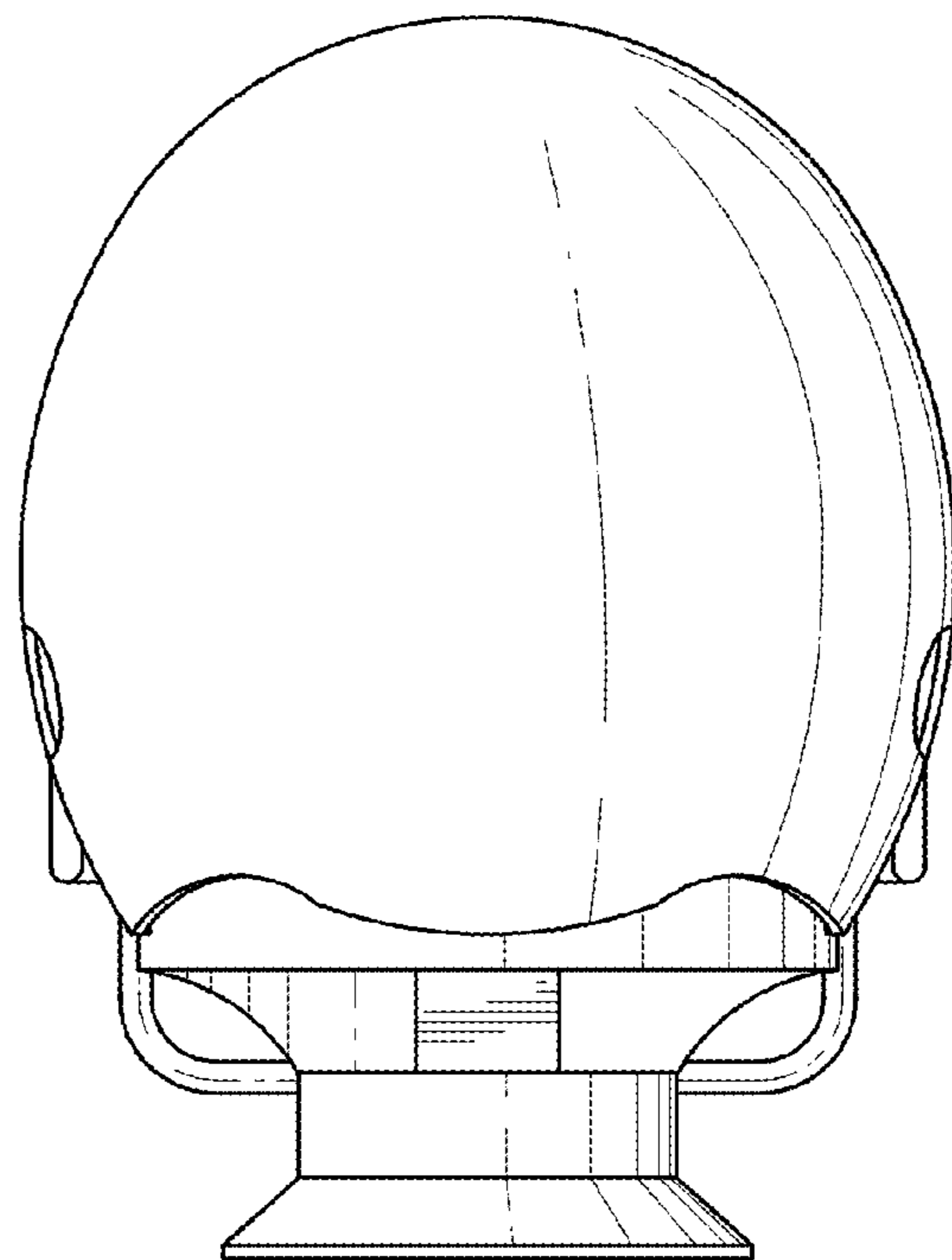


FIG. 4