



US00D690801S

(12) **United States Design Patent**  
**Nakai et al.**

(10) **Patent No.:** **US D690,801 S**  
(45) **Date of Patent:** **\*\* Oct. 1, 2013**

(54) **AIR CONDITIONER**

(71) Applicants: **So Nakai**, Tokyo (JP); **Kenji Ishida**, Tokyo (JP); **Yuki Sakai**, Tokyo (JP); **Toshiaki Yoshikawa**, Tokyo (JP); **Masayuki Oishi**, Tokyo (JP)

(72) Inventors: **So Nakai**, Tokyo (JP); **Kenji Ishida**, Tokyo (JP); **Yuki Sakai**, Tokyo (JP); **Toshiaki Yoshikawa**, Tokyo (JP); **Masayuki Oishi**, Tokyo (JP)

(73) Assignee: **Mitsubishi Electric Corporation**, Tokyo (JP)

(\*\*) Term: **14 Years**

(21) Appl. No.: **29/444,206**

(22) Filed: **Jan. 28, 2013**

(30) **Foreign Application Priority Data**

Jul. 30, 2012 (JP) ..... 2012-018063  
Jul. 30, 2012 (JP) ..... 2012-018064

(51) **LOC (9) Cl.** ..... **23-04**

(52) **U.S. Cl.**  
USPC ..... **D23/351**

(58) **Field of Classification Search**  
USPC ..... D23/351-354, 385, 355, 357, 361;  
312/236; 62/259.1, 259.4, 262-263, 304;  
454/330-331, 349-350  
See application file for complete search history.

(56) **References Cited**

**U.S. PATENT DOCUMENTS**

D450,823 S \* 11/2001 Kobayashi ..... D23/351  
D529,595 S \* 10/2006 Ueno et al. .... D23/351

(Continued)

**FOREIGN PATENT DOCUMENTS**

RU 76455 S 10/2010

**OTHER PUBLICATIONS**

Office Action dated May 30, 2013 issued by the Russian Patent Office in counterpart Russian Application No. 2013500269.

*Primary Examiner* — Brian N Vinson

(74) *Attorney, Agent, or Firm* — Sughrue Mion, PLLC

(57) **CLAIM**

The ornamental design for an air conditioner, as shown and described.

**DESCRIPTION**

FIG. 1 is a front, right and bottom side perspective view of an air conditioner showing a first embodiment of our new design;

FIG. 2 is a front elevational view thereof;

FIG. 3 is a rear elevational view thereof;

FIG. 4 is a left side elevational view thereof;

FIG. 5 is a right side elevational view thereof;

FIG. 6 is a top plan view thereof;

FIG. 7 is a bottom plan view thereof;

FIG. 8 is an enlarged vertical cross-sectional view thereof, taken along line 8-8 in FIG. 2;

FIG. 9 is an enlarged vertical cross-sectional view thereof, taken along line 9-9 in FIG. 2;

FIG. 10 is an enlarged fragmentary elevational view of the area between lines 10-10 of FIG. 2;

FIG. 11 is a further enlarged front elevational view of the area between lines 11-11 of FIG. 10;

FIG. 12 is a front, right and bottom side perspective view of an air conditioner showing a second embodiment of our new design;

FIG. 13 is a front elevational view thereof;

FIG. 14 is a rear view elevational thereof;

FIG. 15 is a left side view thereof;

FIG. 16 is a right side elevational view thereof;

FIG. 17 is a top plan view thereof;

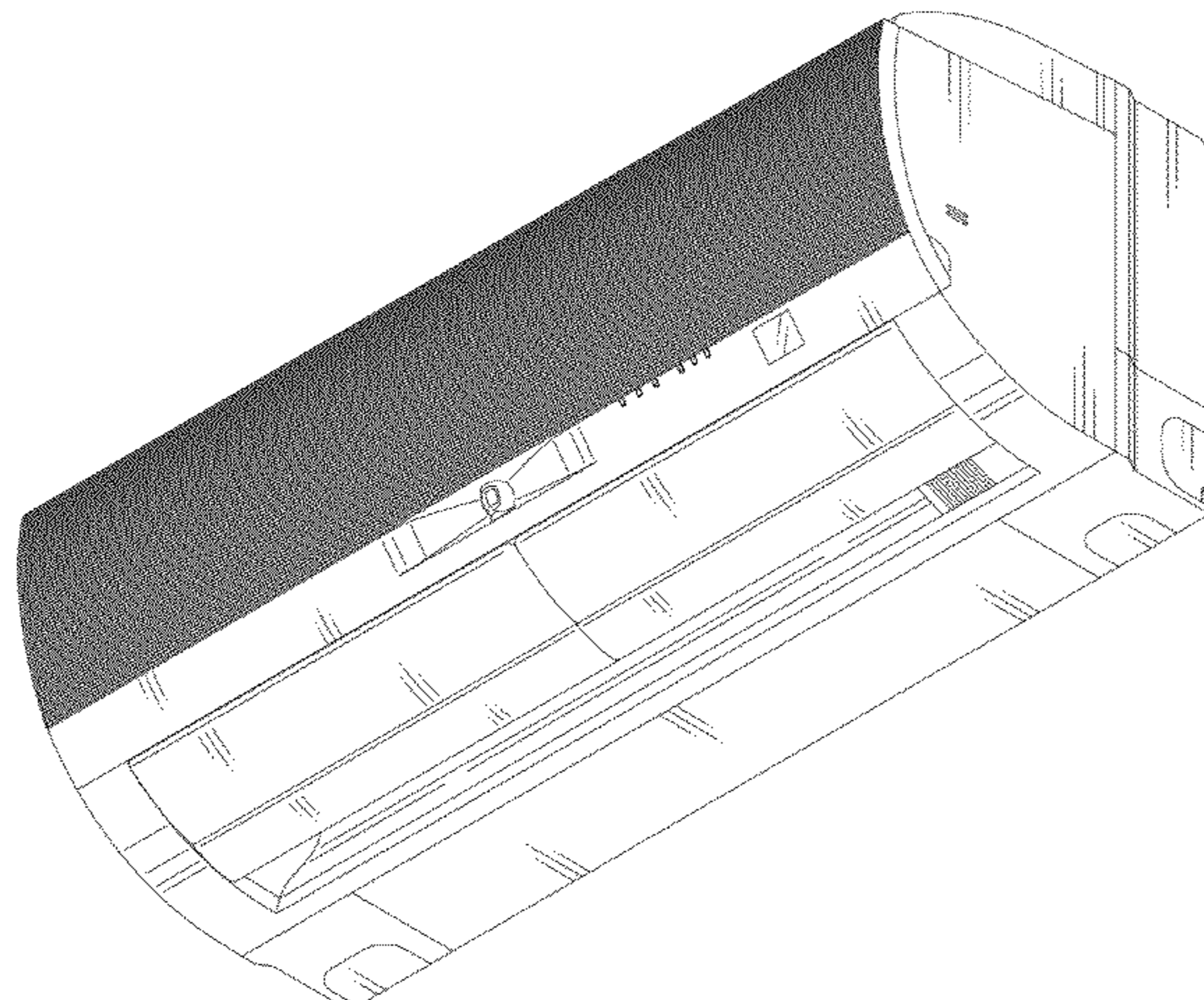
FIG. 18 is a bottom plan view thereof;

FIG. 19 is an enlarged vertical cross-sectional view thereof, taken along line 19-19 in FIG. 13; and,

FIG. 20 is an enlarged vertical cross-sectional view thereof, taken along line 20-20 in FIG. 13.

The portions of the article in broken lines are shown for illustrative purposes only and form no part of the claimed design.

**1 Claim, 18 Drawing Sheets**



(56)

**References Cited**

U.S. PATENT DOCUMENTS

D553,724 S \* 10/2007 Nakamura ..... D23/351  
D565,158 S \* 3/2008 Nagahori ..... D23/351  
D613,843 S \* 4/2010 Ohta ..... D23/351  
D621,920 S 8/2010 Yamana et al.  
D624,168 S \* 9/2010 Aketa et al. .... D23/351

D628,686 S \* 12/2010 Motonishi et al. .... D23/351  
D642,251 S \* 7/2011 Seki ..... D23/351  
D667,095 S \* 9/2012 Yamana et al. .... D23/351  
D669,567 S \* 10/2012 Yamana et al. .... D23/351  
D670,799 S \* 11/2012 Yamana et al. .... D23/351  
D676,119 S \* 2/2013 Baek et al. .... D23/351

\* cited by examiner

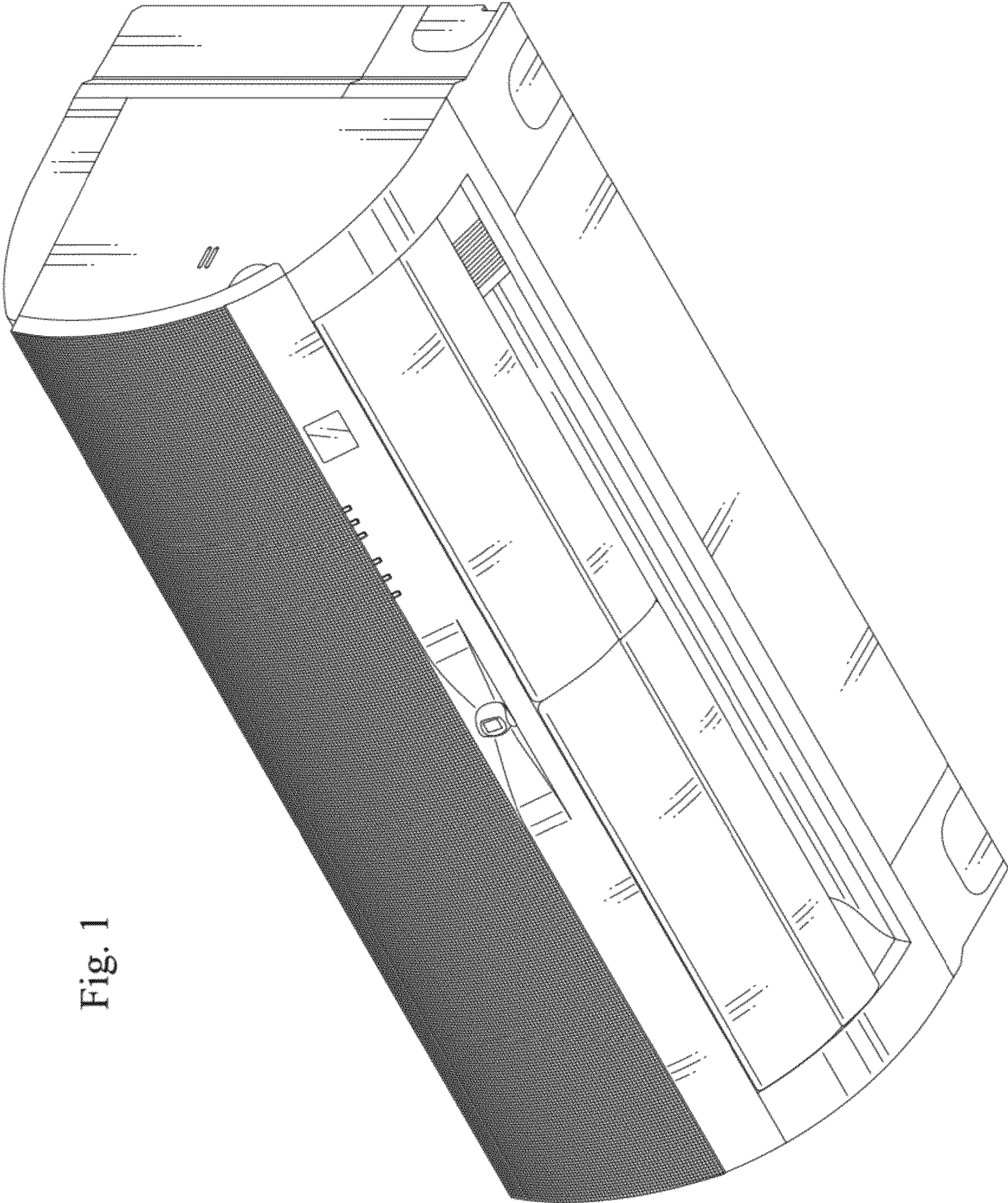


Fig. 1

Fig. 2

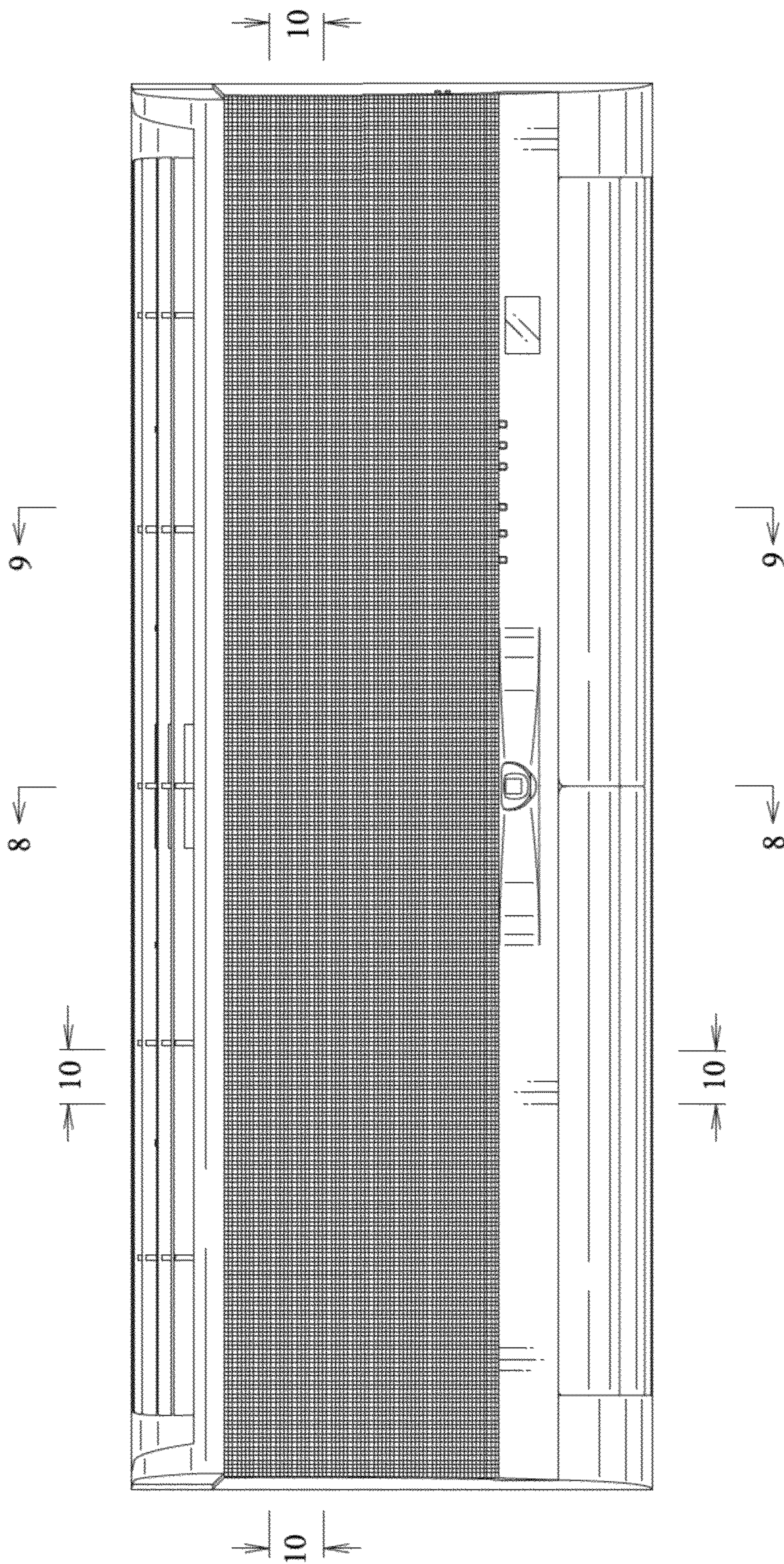


Fig. 3

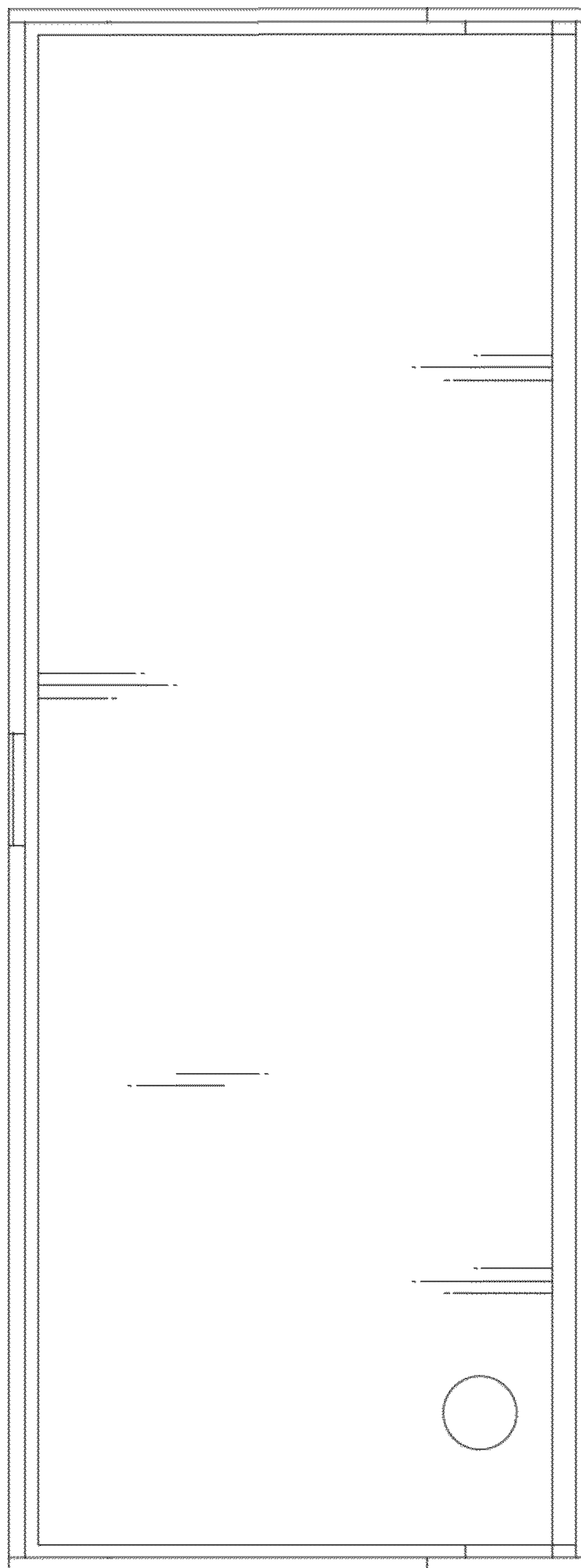


Fig. 5

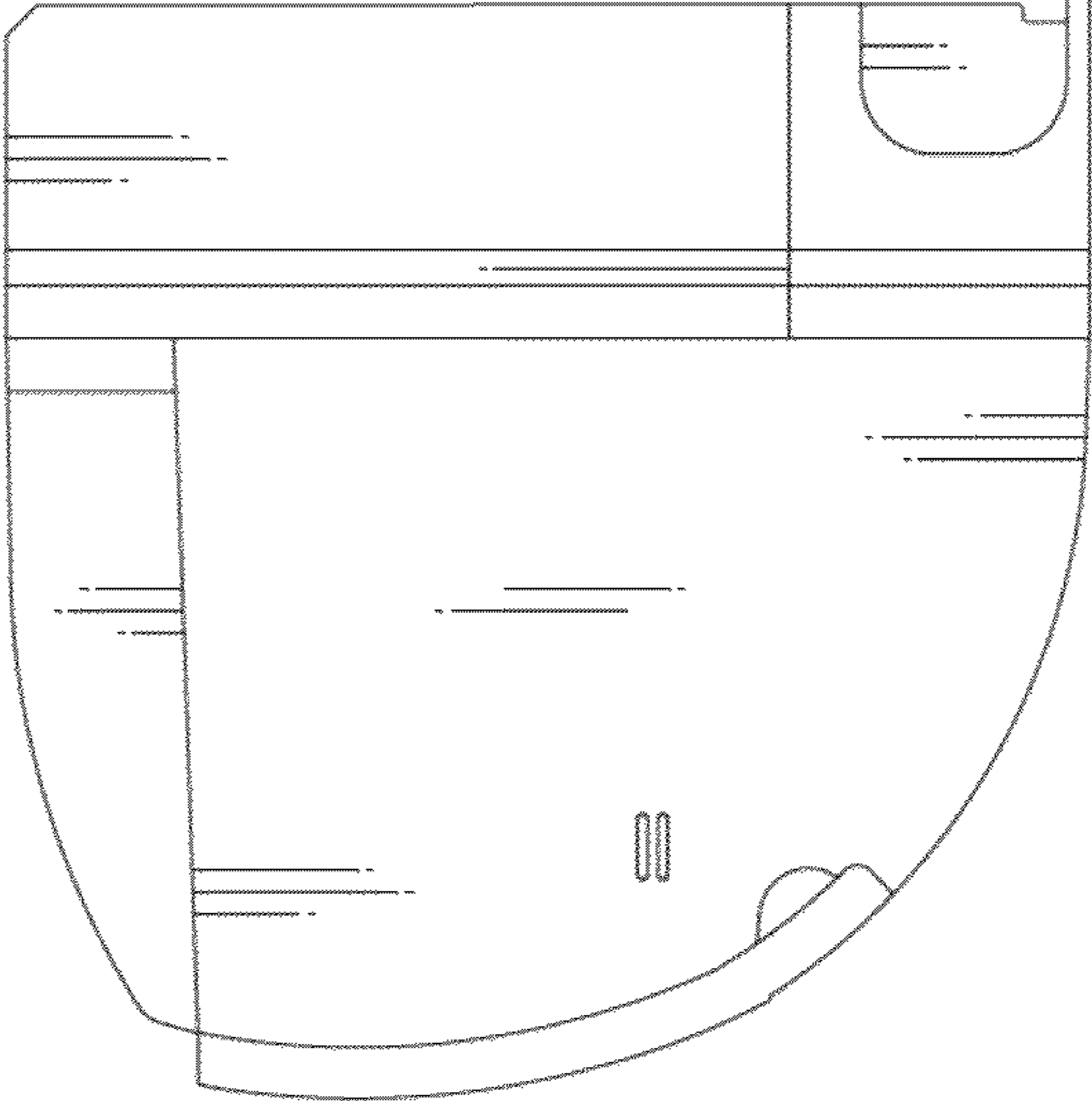


Fig. 4

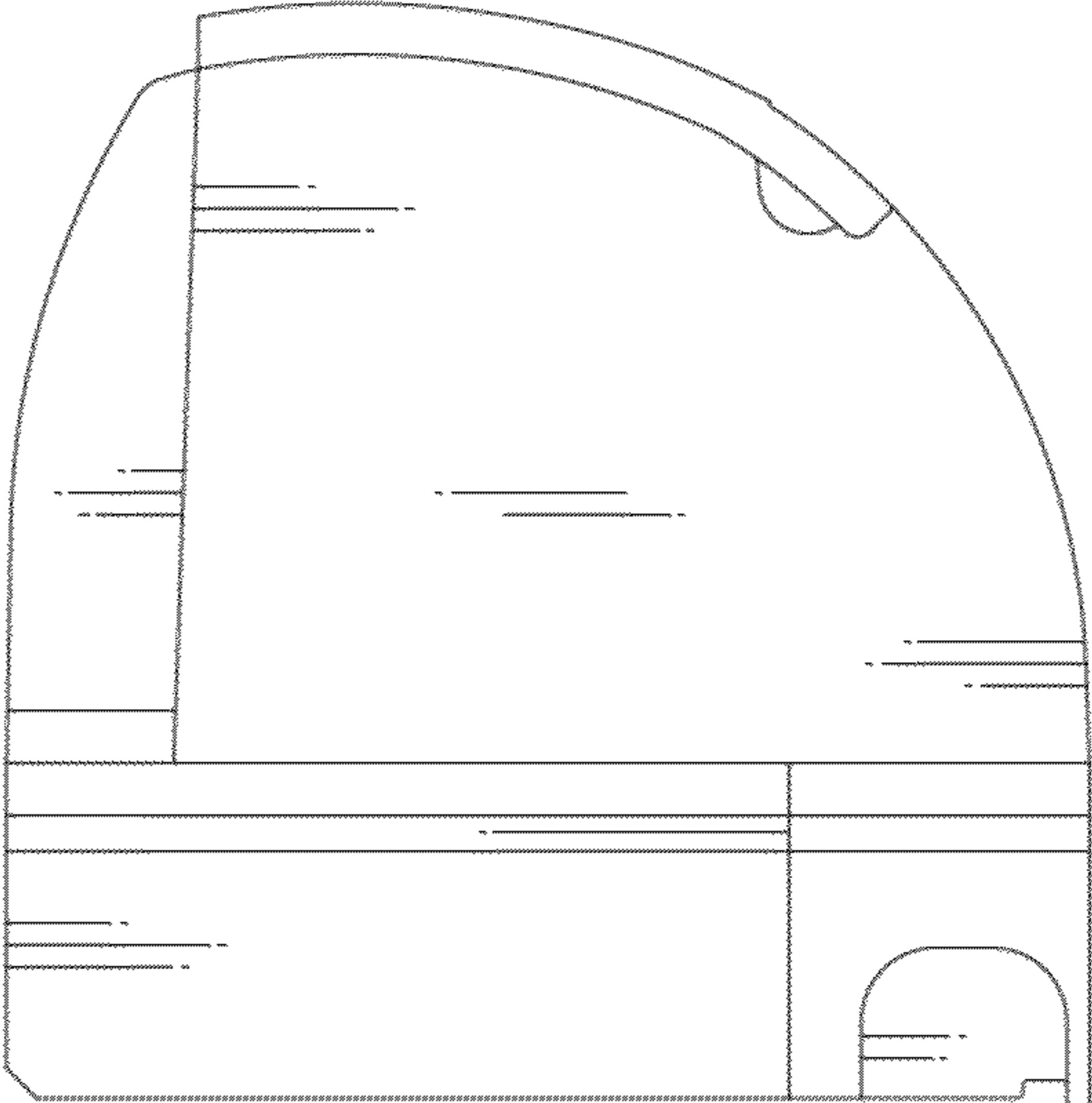


Fig. 6

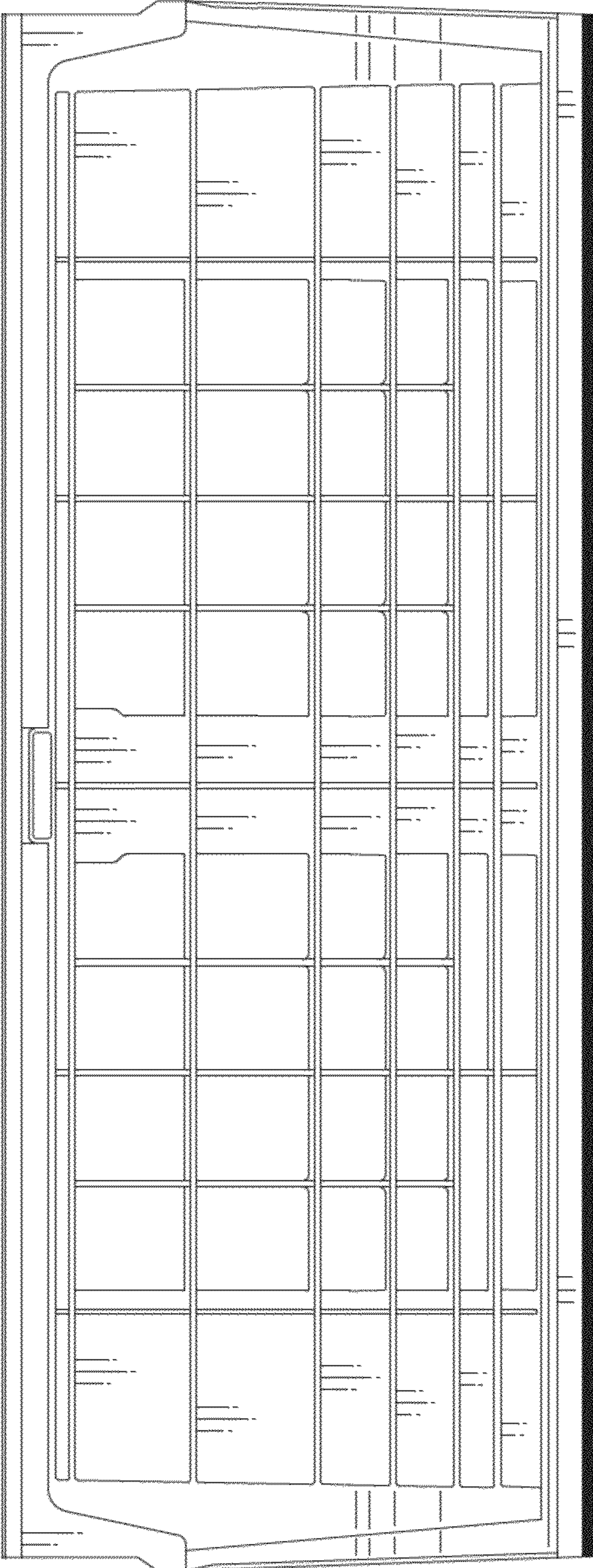


Fig. 7

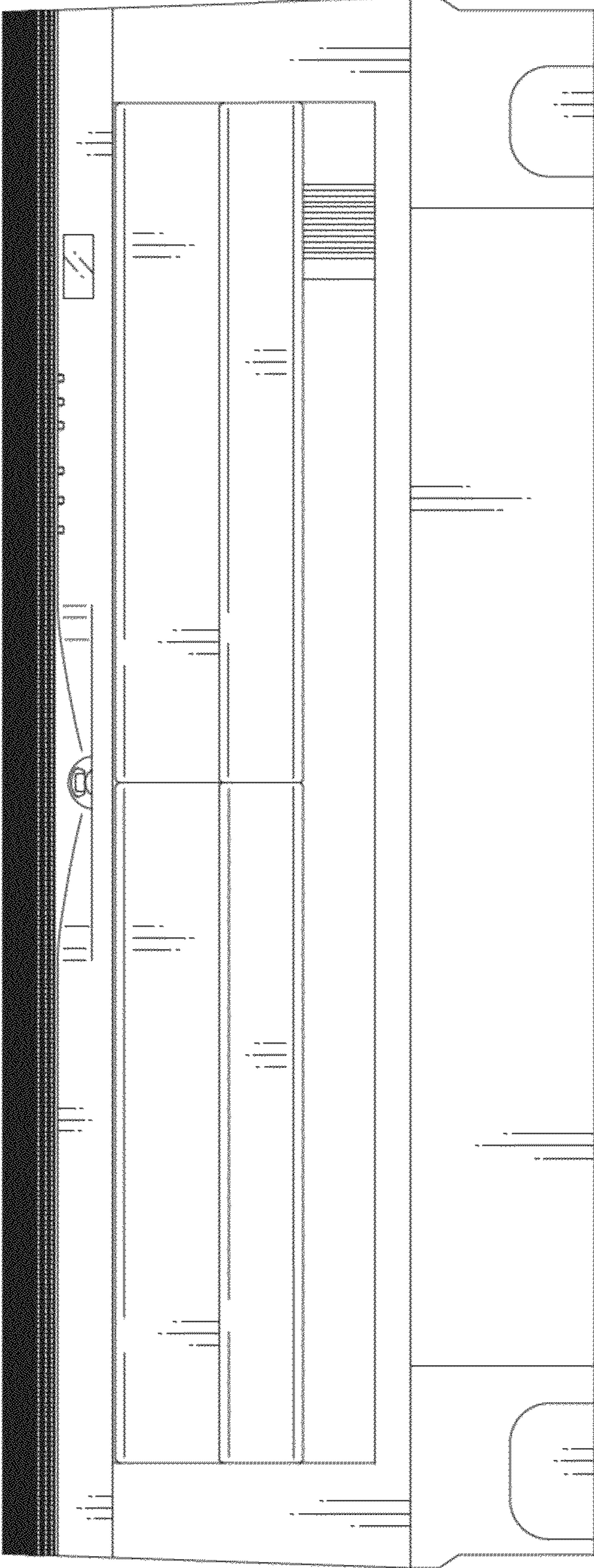




Fig. 8

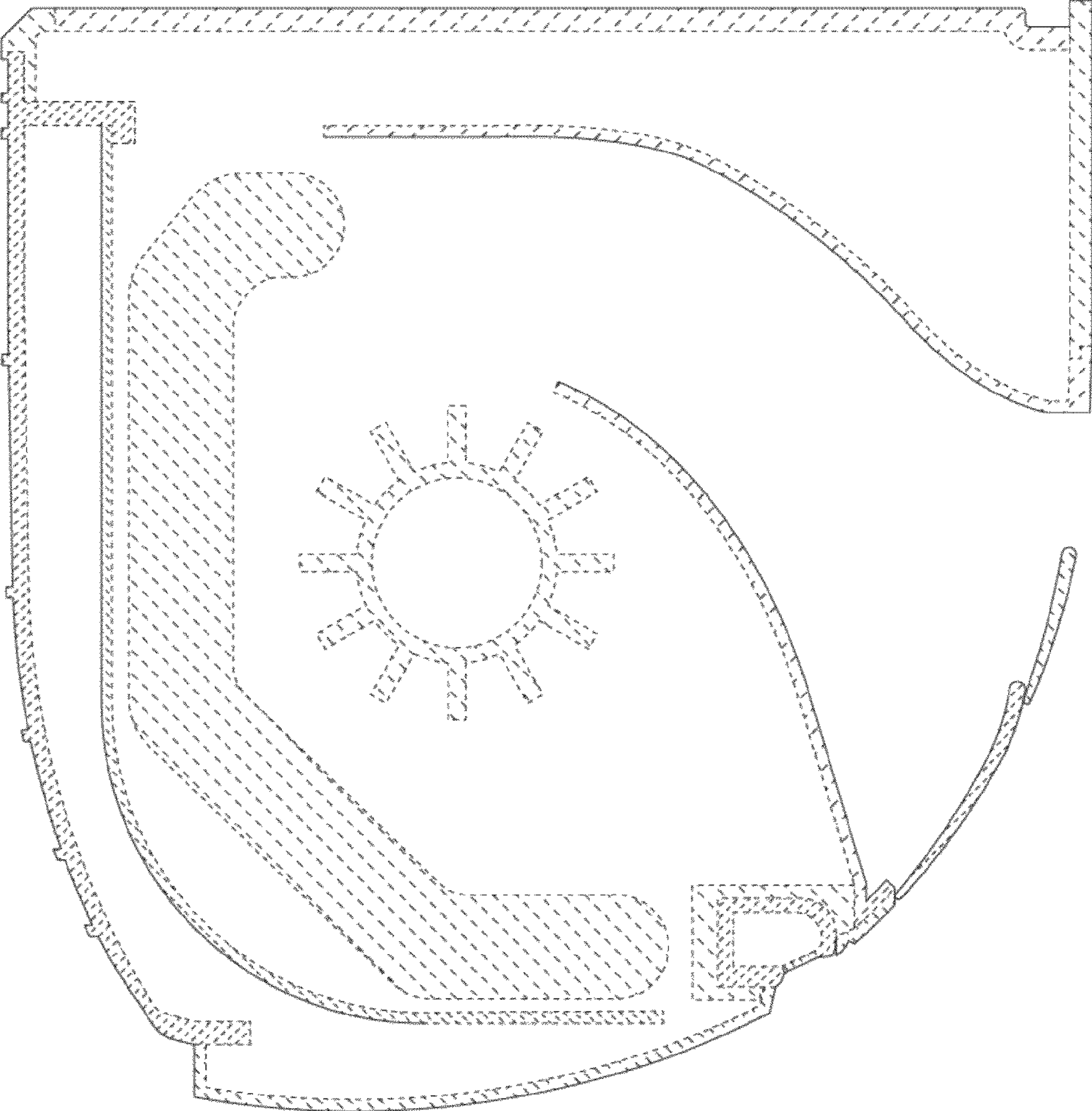


Fig. 9

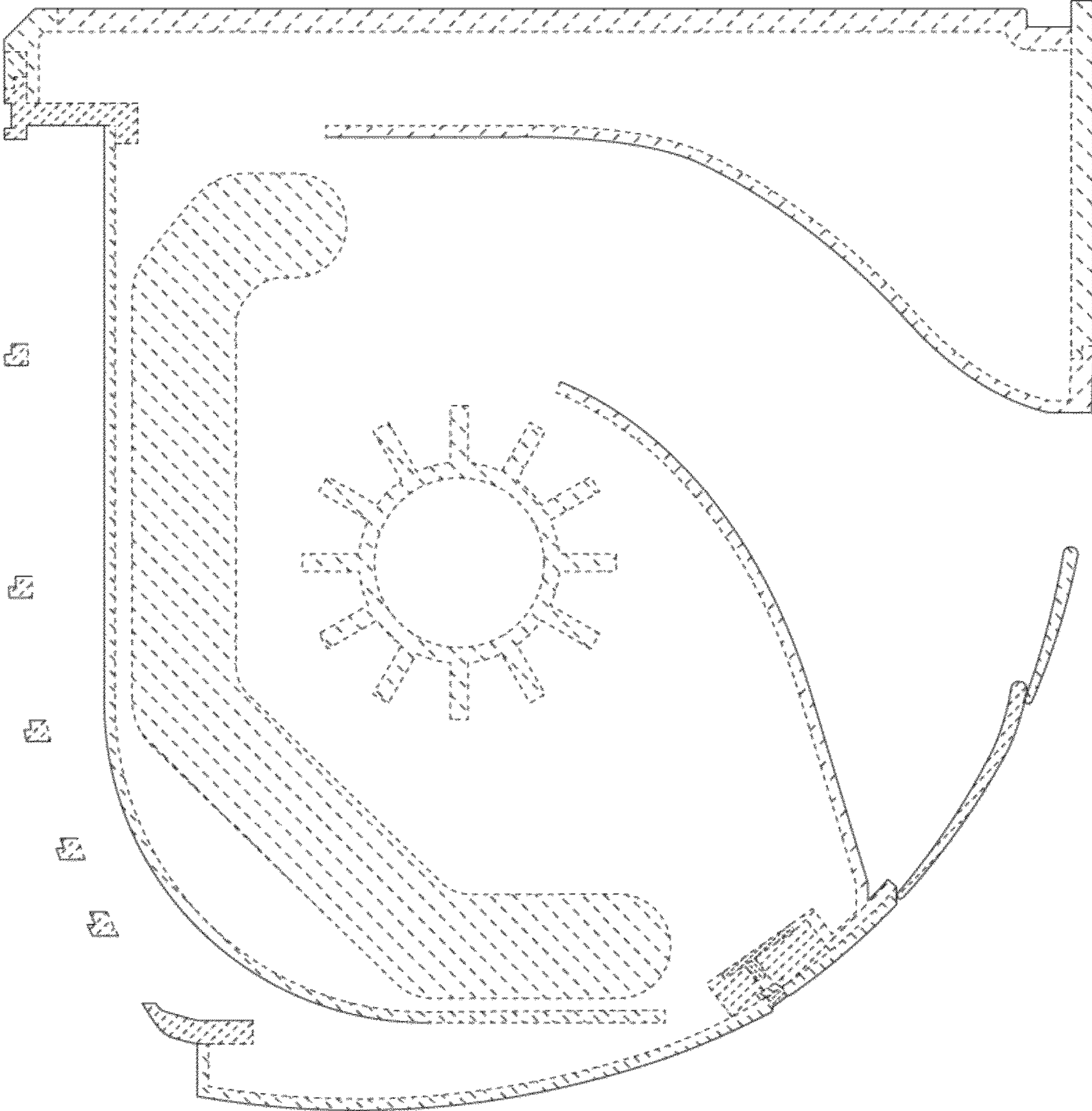


Fig. 10

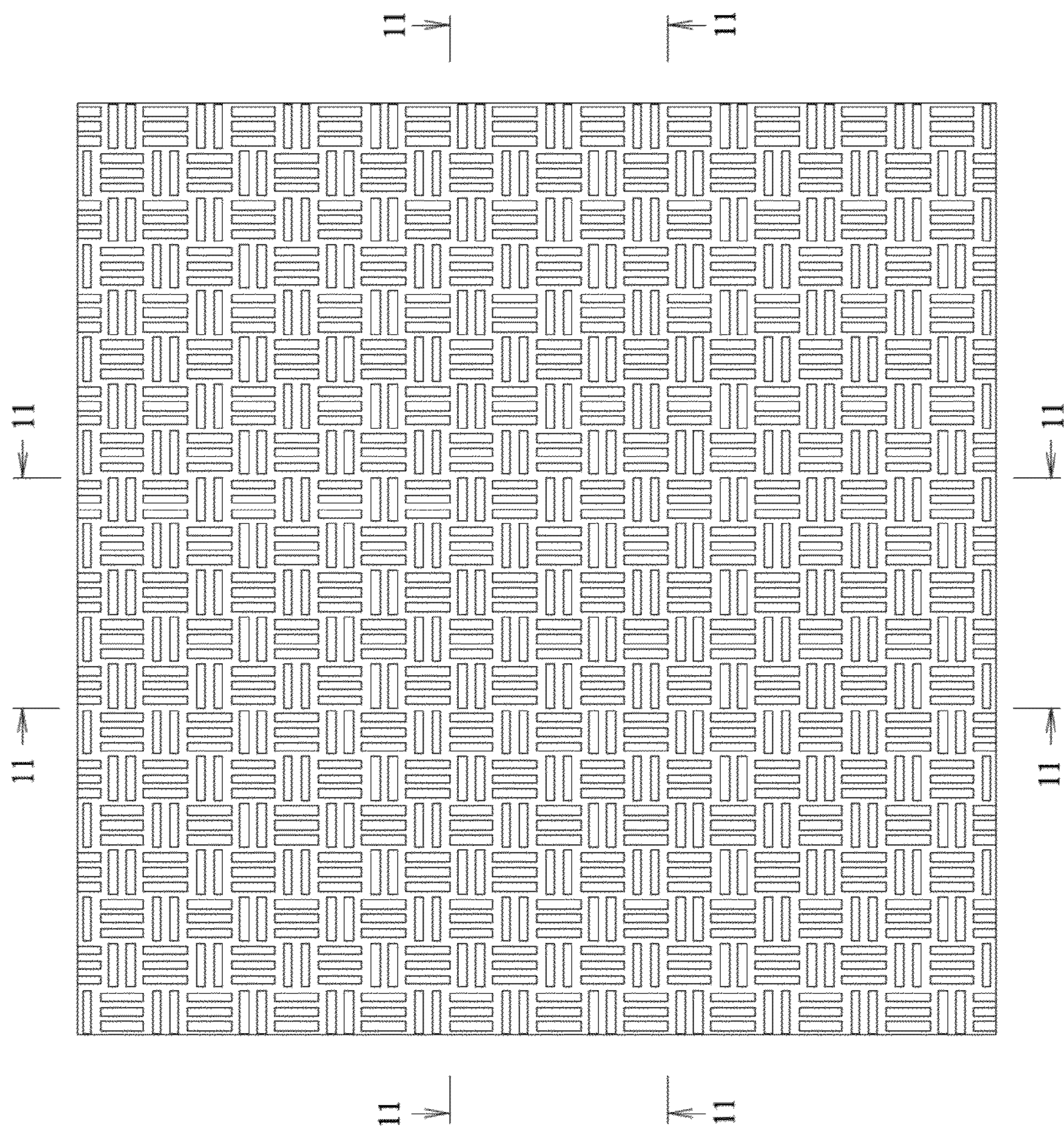
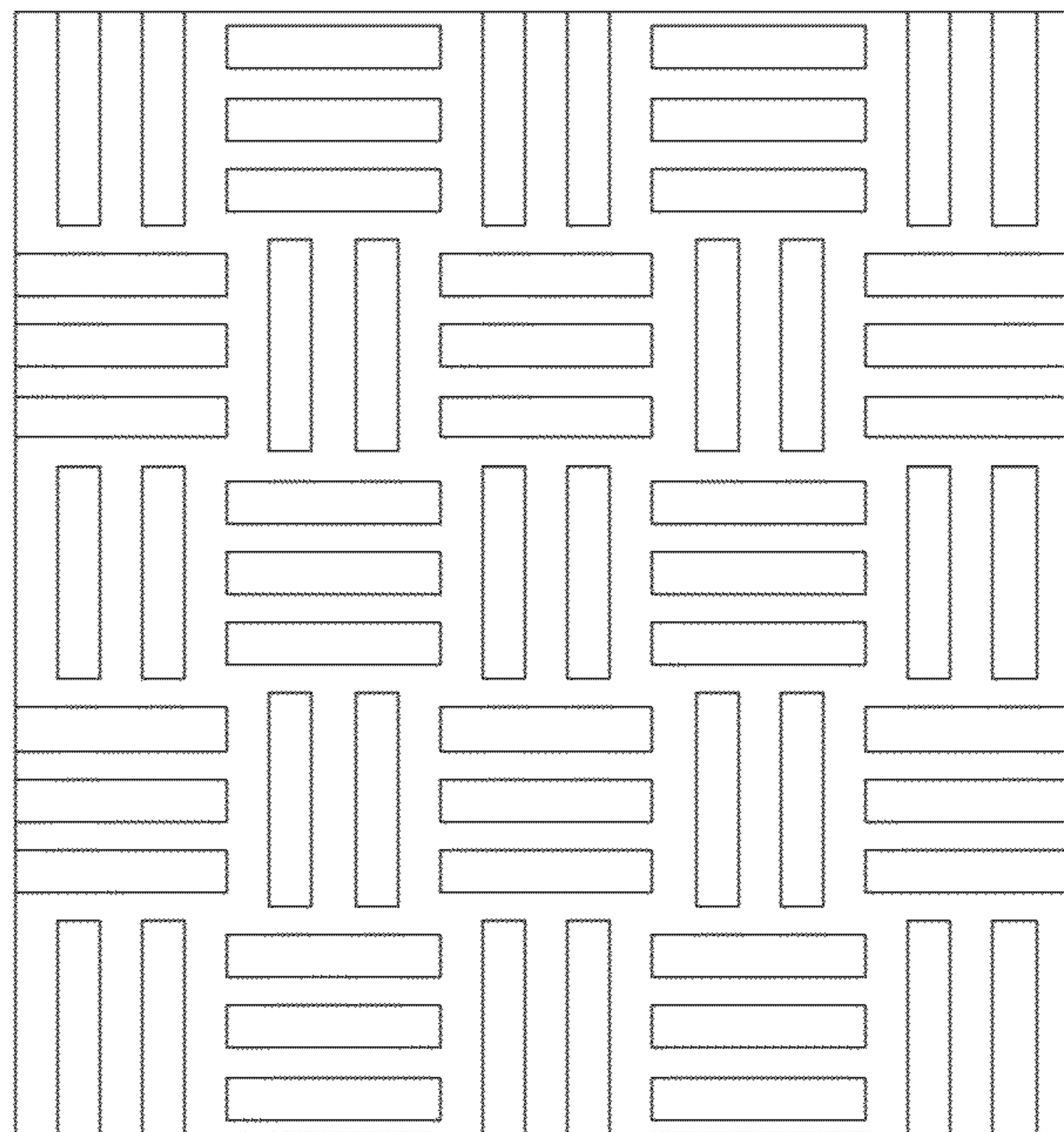


Fig. 11



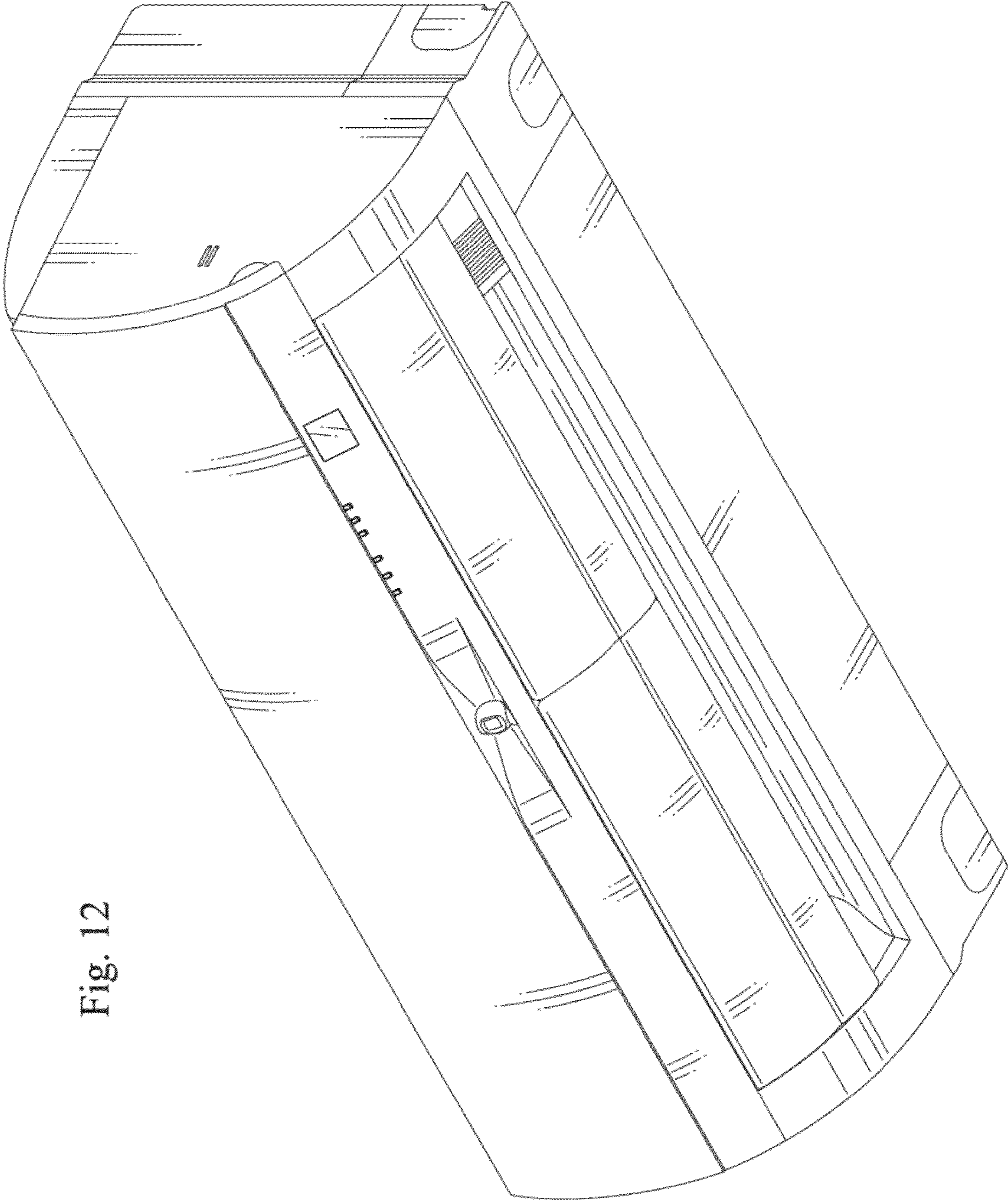


Fig. 12

Fig. 13

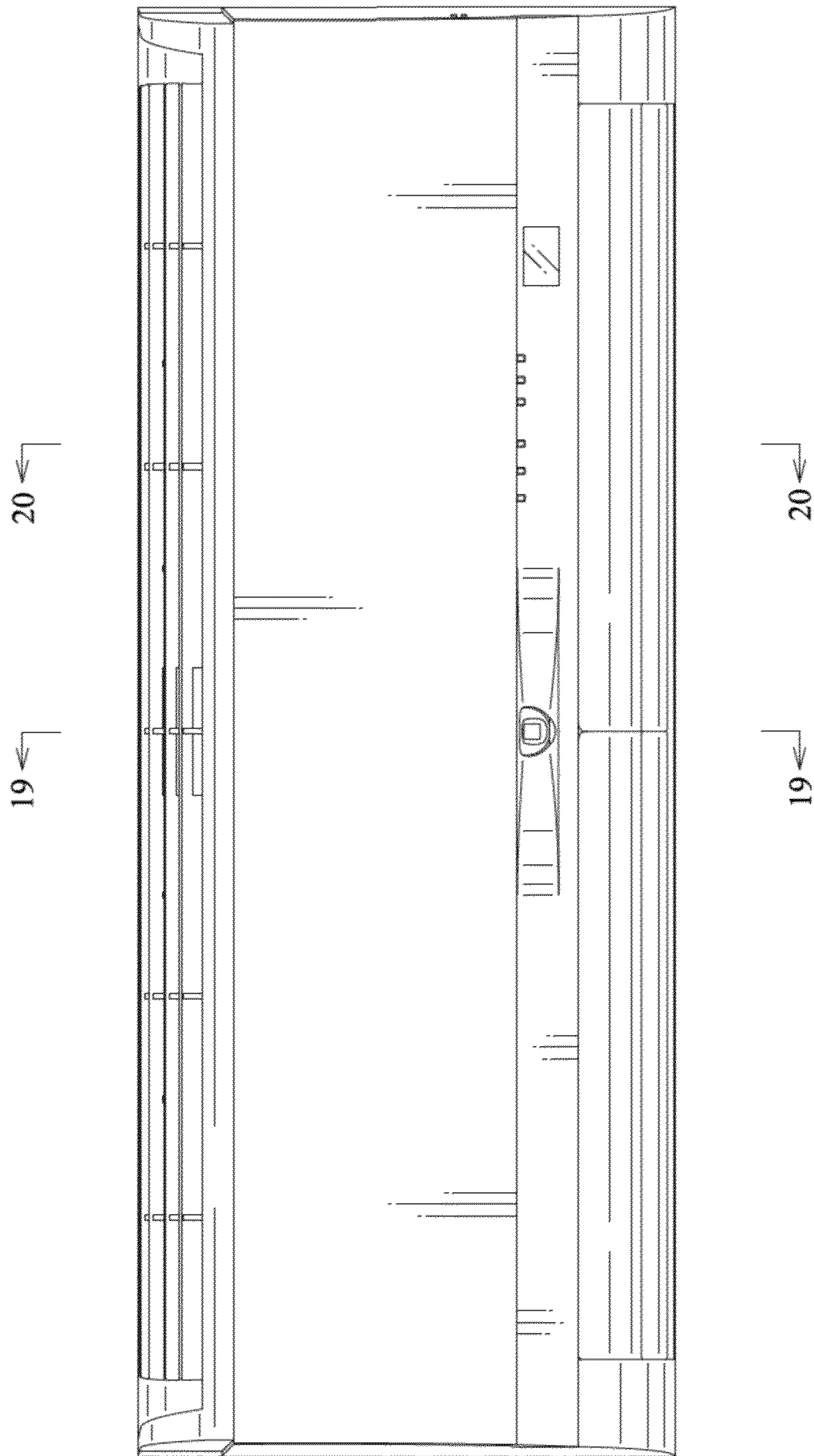


Fig. 14

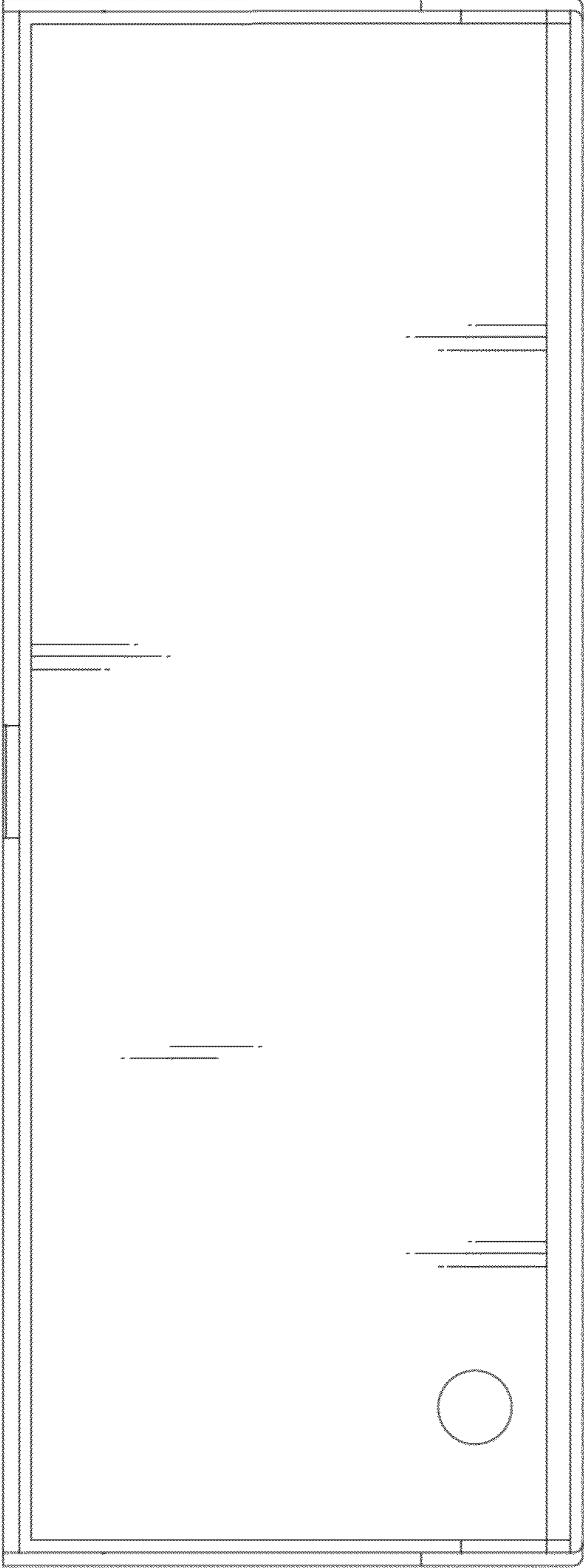


Fig. 16

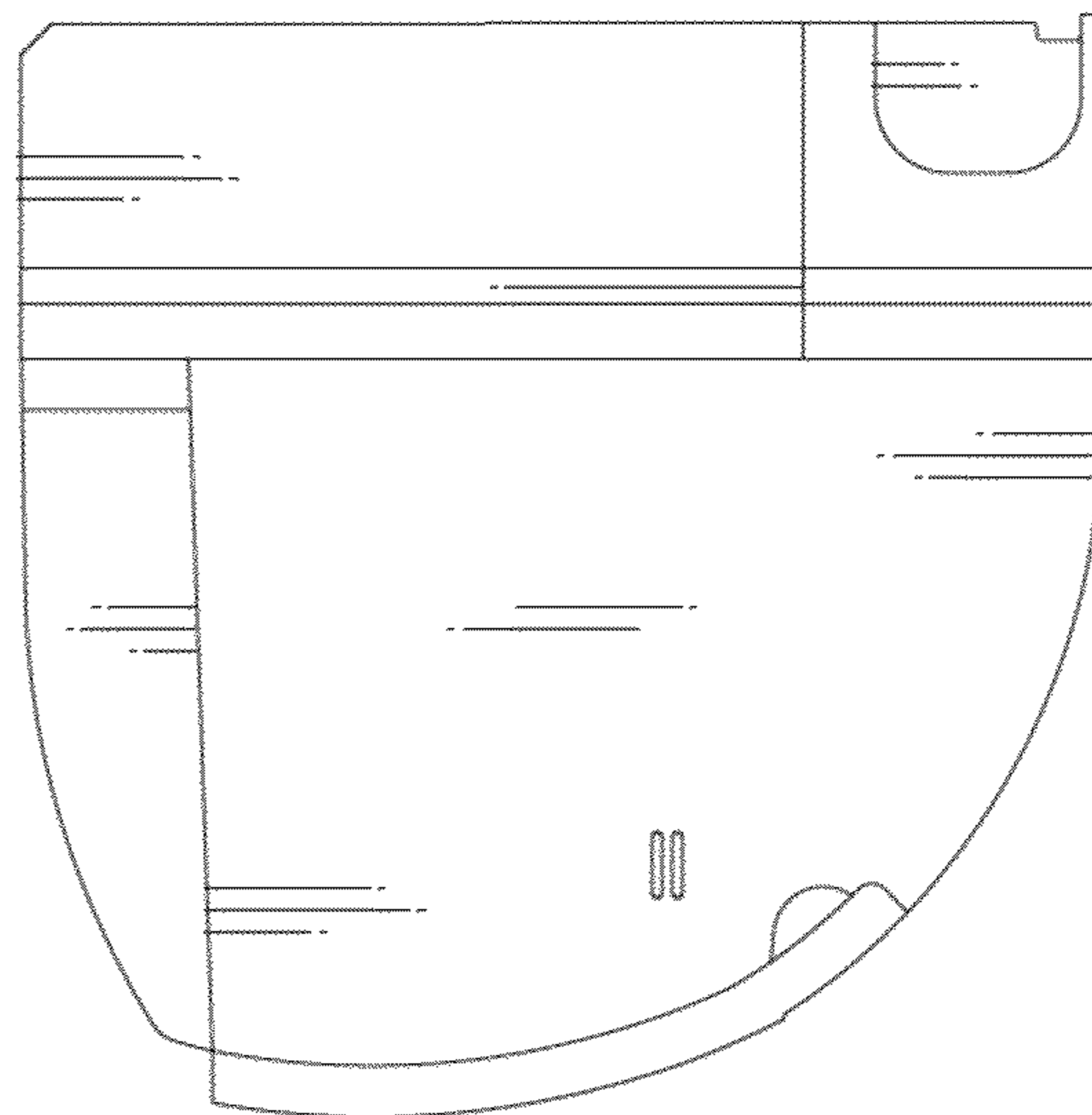


Fig. 15

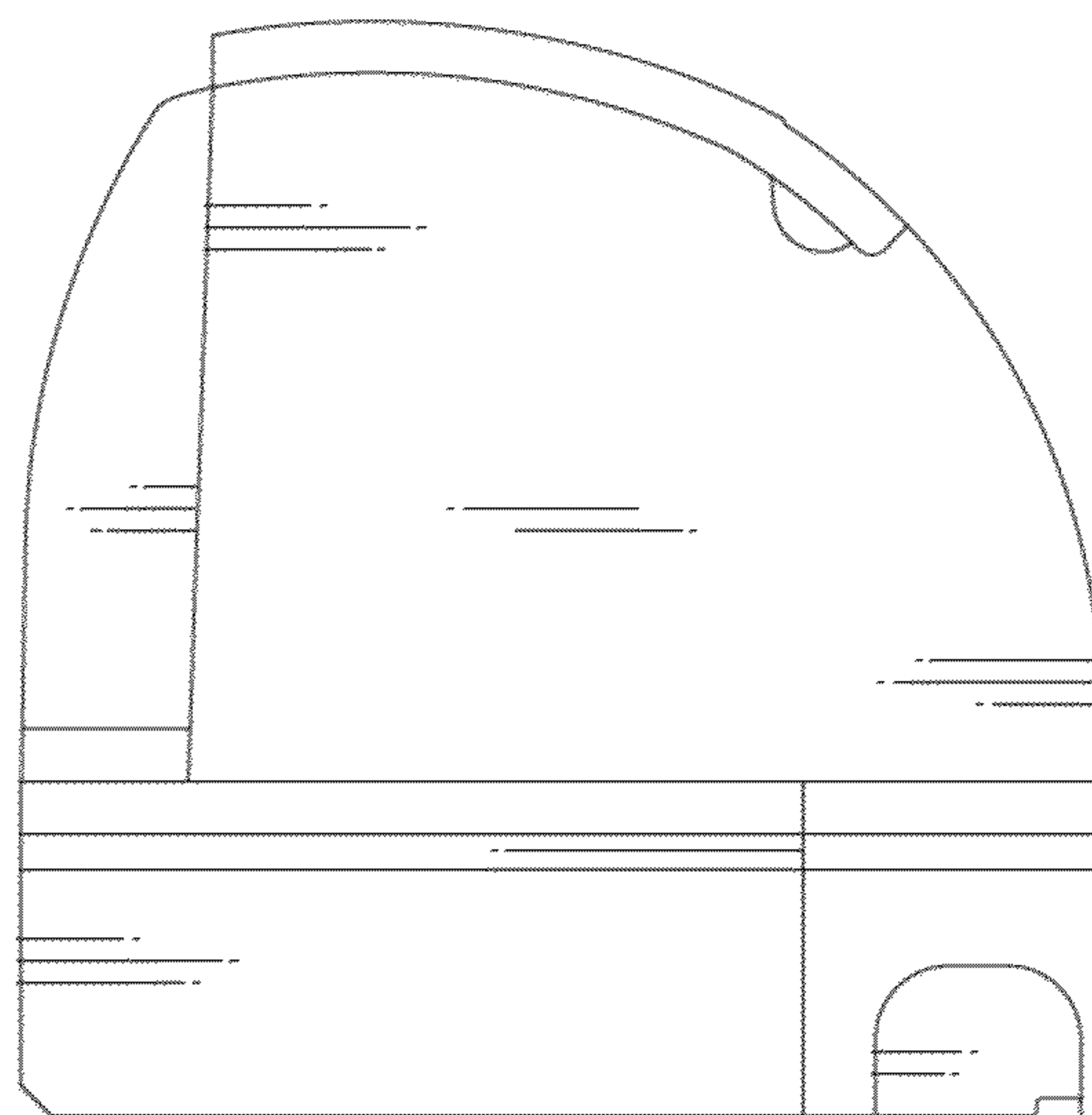




Fig. 17

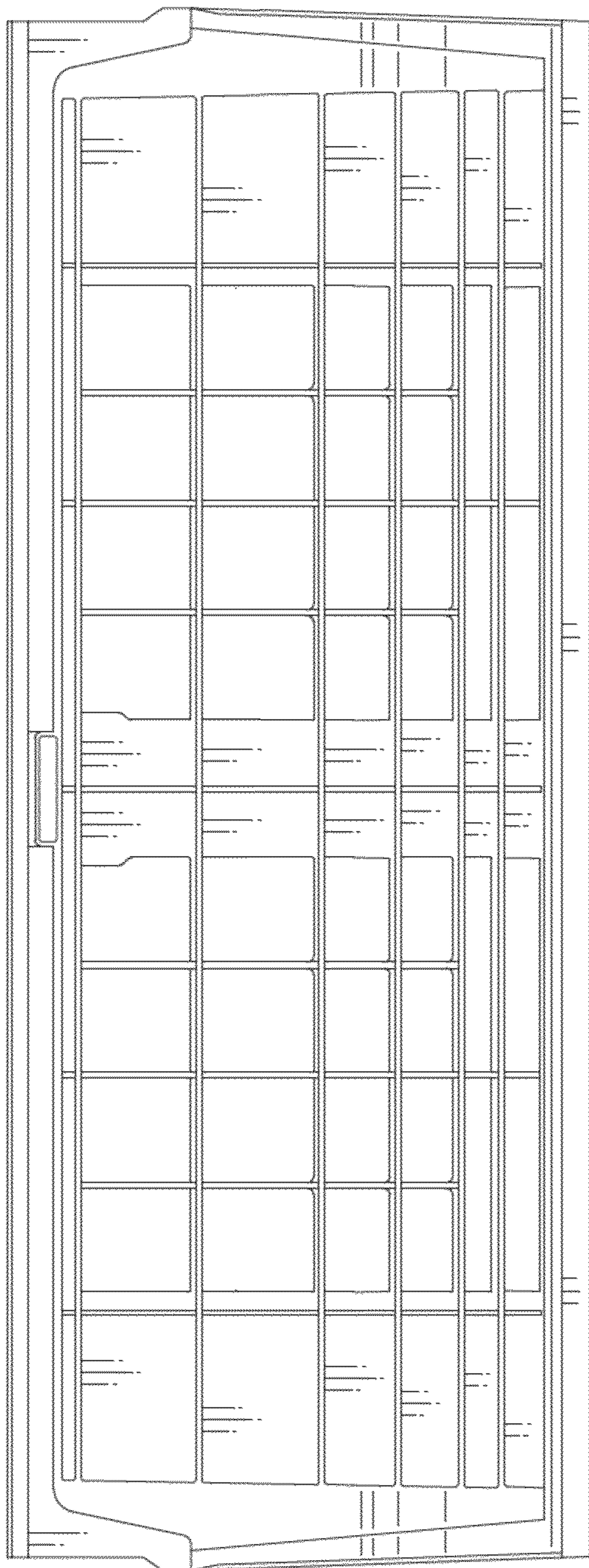


Fig. 18

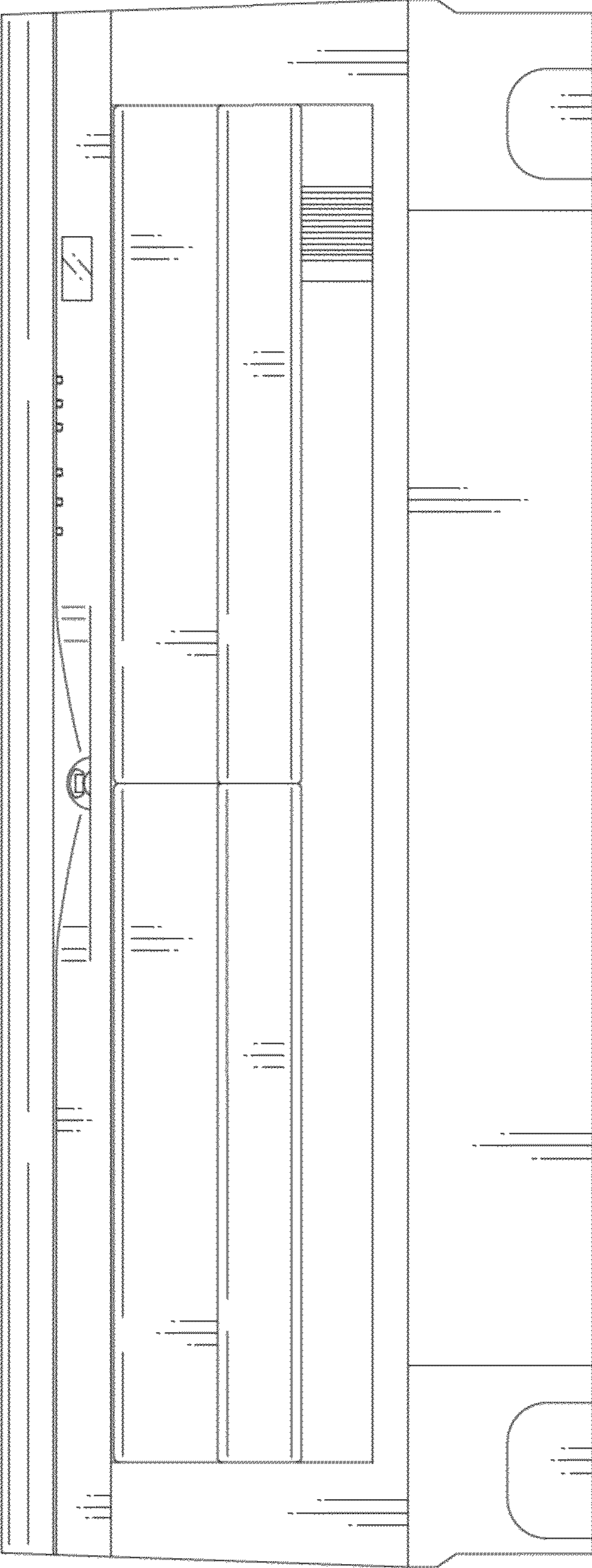


Fig. 19

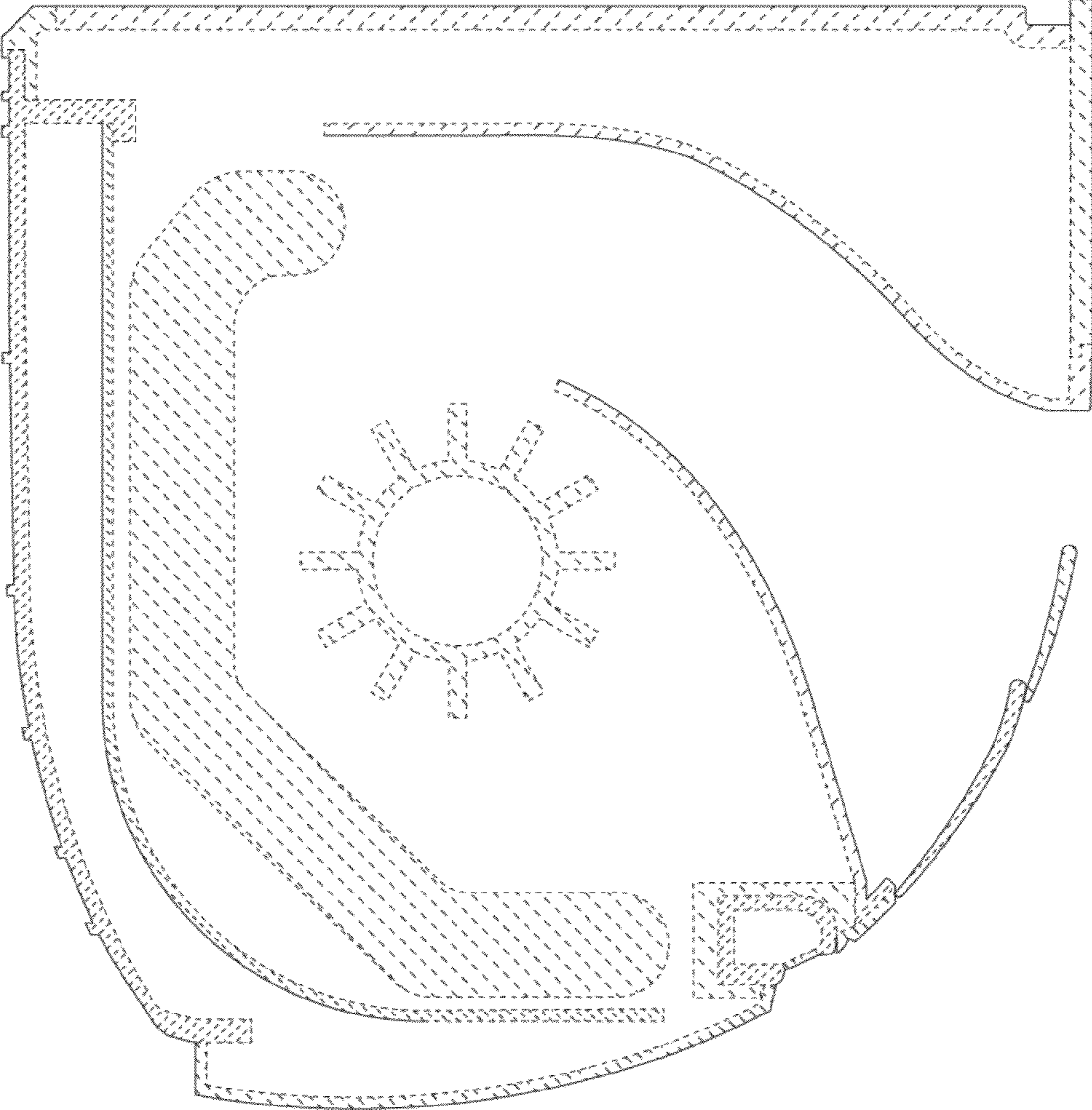


Fig. 20

