



US00D690800S

(12) **United States Design Patent**  
**Ren**

(10) **Patent No.:** **US D690,800 S**

(45) **Date of Patent:** **\*\* Oct. 1, 2013**

(54) **STOP VALVE**

(75) Inventor: **Chunrong Ren**, Zhejiang (CN)

(73) Assignee: **Zhejiang Sanhua Co., Ltd.**, Zhejiang (CN)

(\*\*) Term: **14 Years**

(21) Appl. No.: **29/410,148**

(22) Filed: **Mar. 19, 2012**

(51) **LOC (9) Cl.** ..... **23-01**

(52) **U.S. Cl.**  
USPC ..... **D23/233**

(58) **Field of Classification Search**  
USPC ..... D23/233–237, 266, 244–249, 262,  
D23/263; 251/315.1; 137/549  
See application file for complete search history.

(56) **References Cited**

U.S. PATENT DOCUMENTS

1,559,222 A \* 10/1925 Carrey ..... 137/382  
D333,696 S \* 3/1993 Berrocal ..... D23/236  
D341,187 S \* 11/1993 Stachowiak ..... D23/233

D370,721 S \* 6/1996 Hewson ..... D23/233  
D394,310 S \* 5/1998 Rector ..... D23/233  
D646,753 S \* 10/2011 Juul et al. .... D23/233  
D678,981 S \* 3/2013 Shengyong ..... D23/233

\* cited by examiner

*Primary Examiner* — Cynthia Ramirez

(74) *Attorney, Agent, or Firm* — Kilpatrick Townsend & Stockton LLP

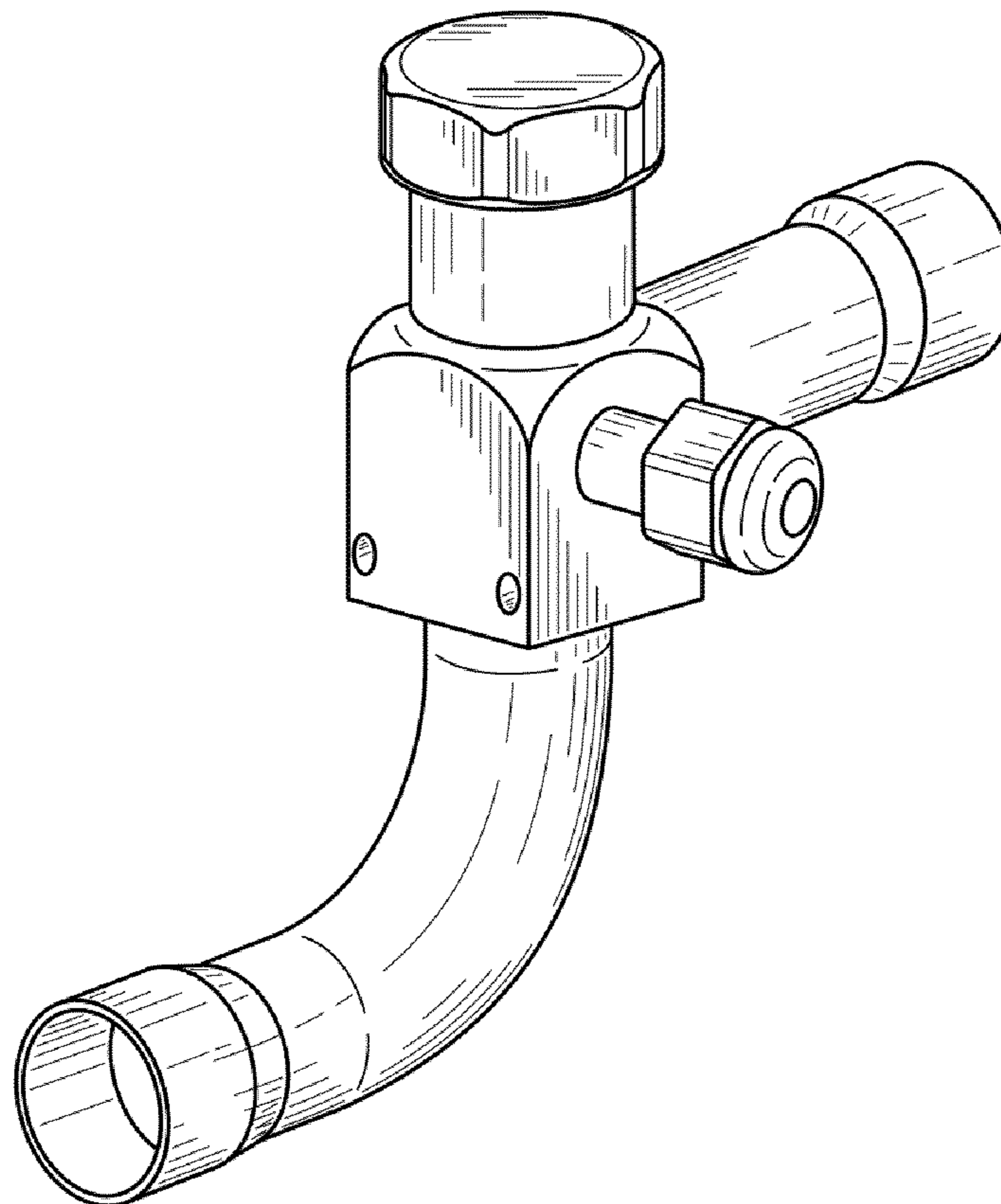
(57) **CLAIM**

The ornamental design for a stop valve, as shown and described.

**DESCRIPTION**

FIG. 1 is a perspective view of a stop valve according to my new design;  
FIG. 2 is a front view thereof;  
FIG. 3 is a rear view thereof;  
FIG. 4 is a left view thereof;  
FIG. 5 is a right view thereof;  
FIG. 6 is a top view thereof; and,  
FIG. 7 is a bottom view thereof.

**1 Claim, 3 Drawing Sheets**



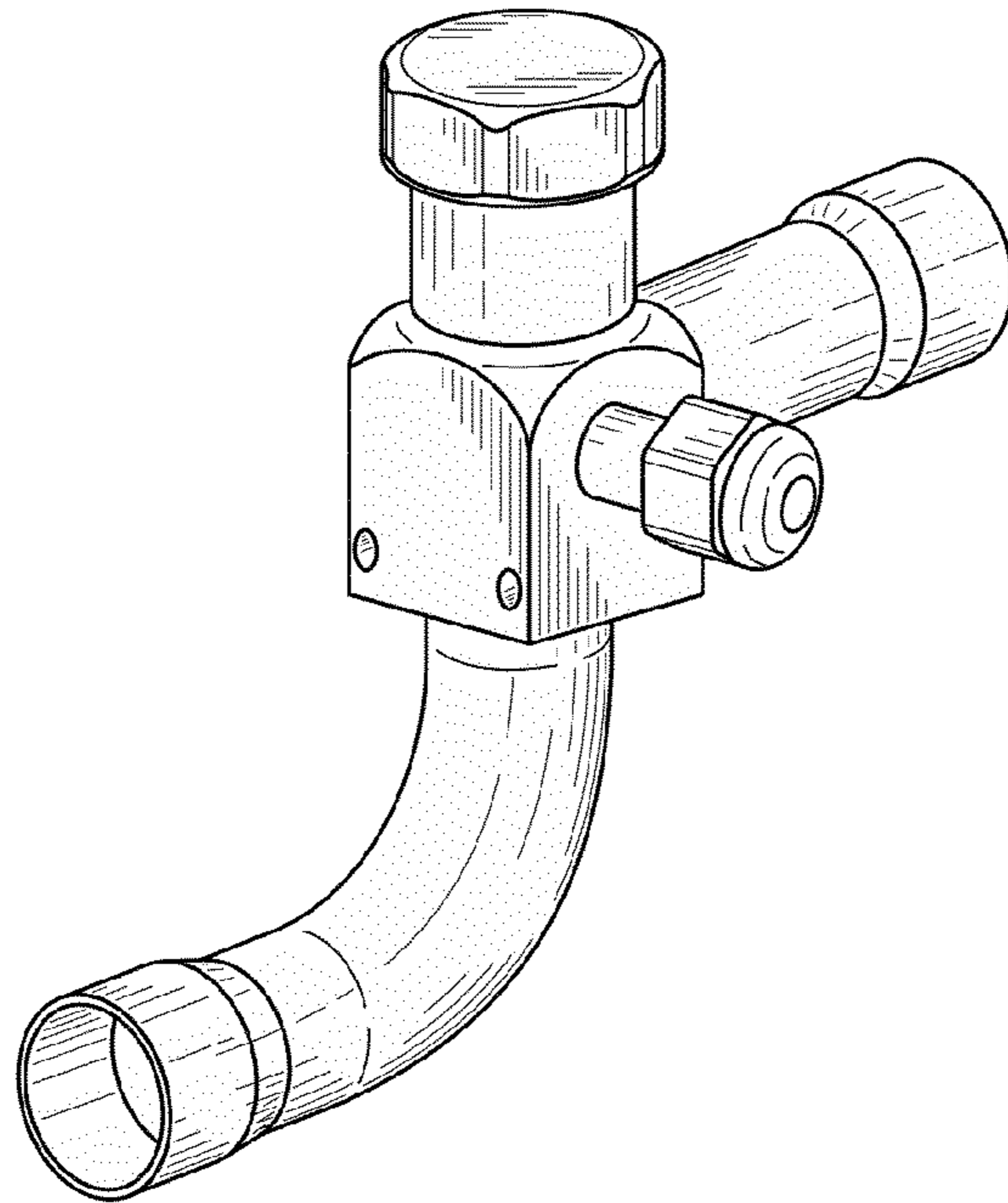


FIG. 1

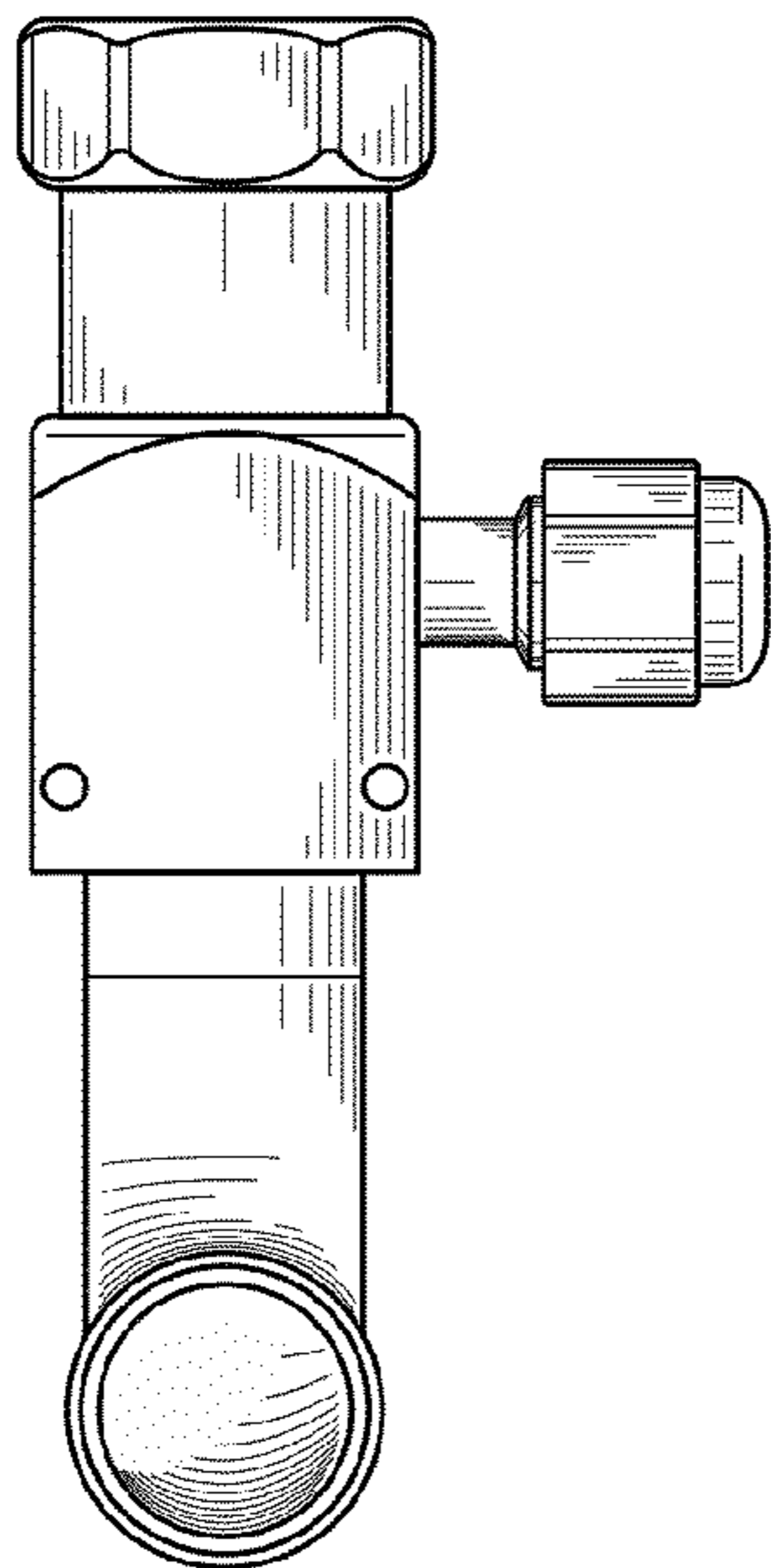


FIG. 2

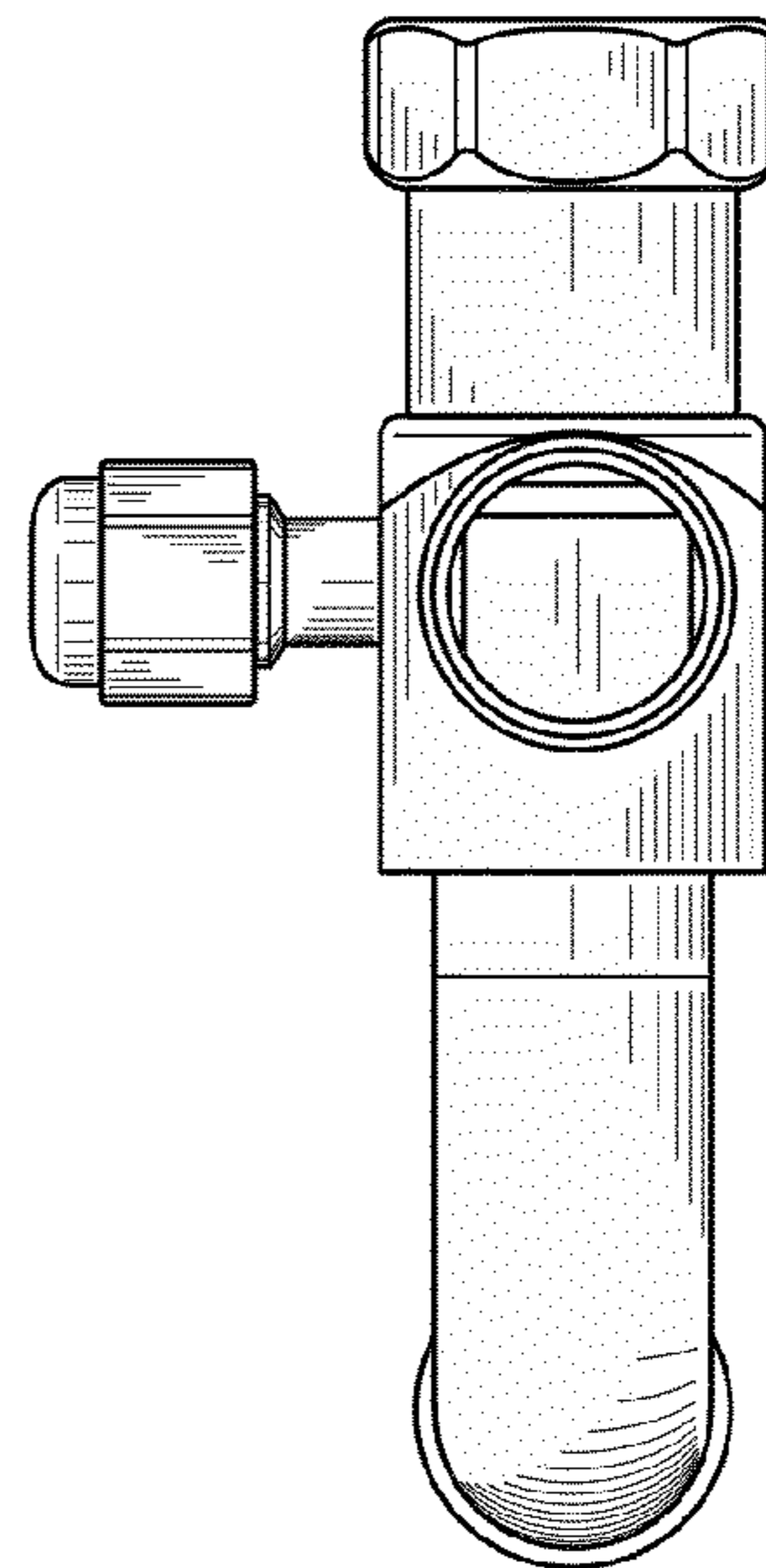


FIG. 3

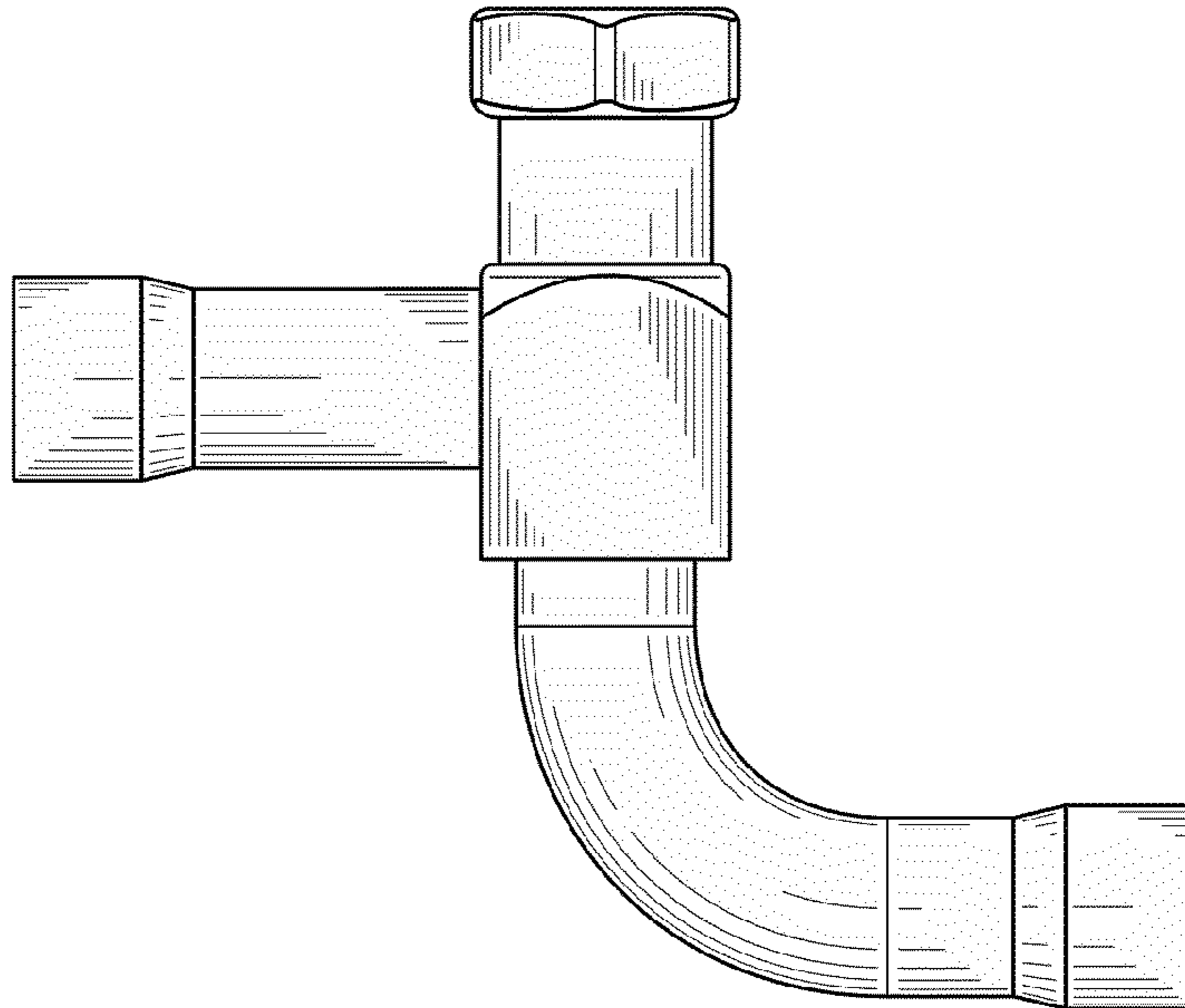


FIG. 4

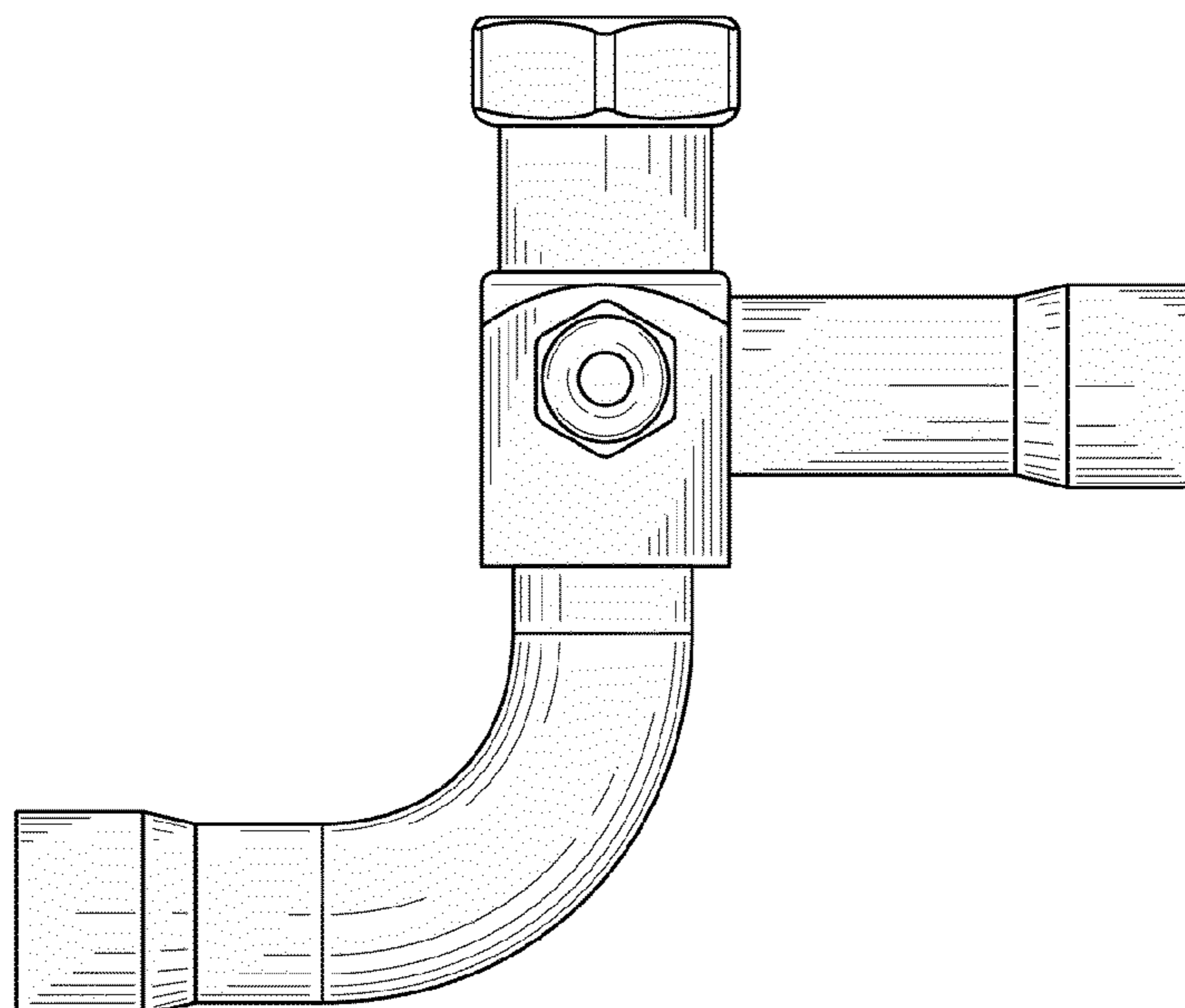


FIG. 5

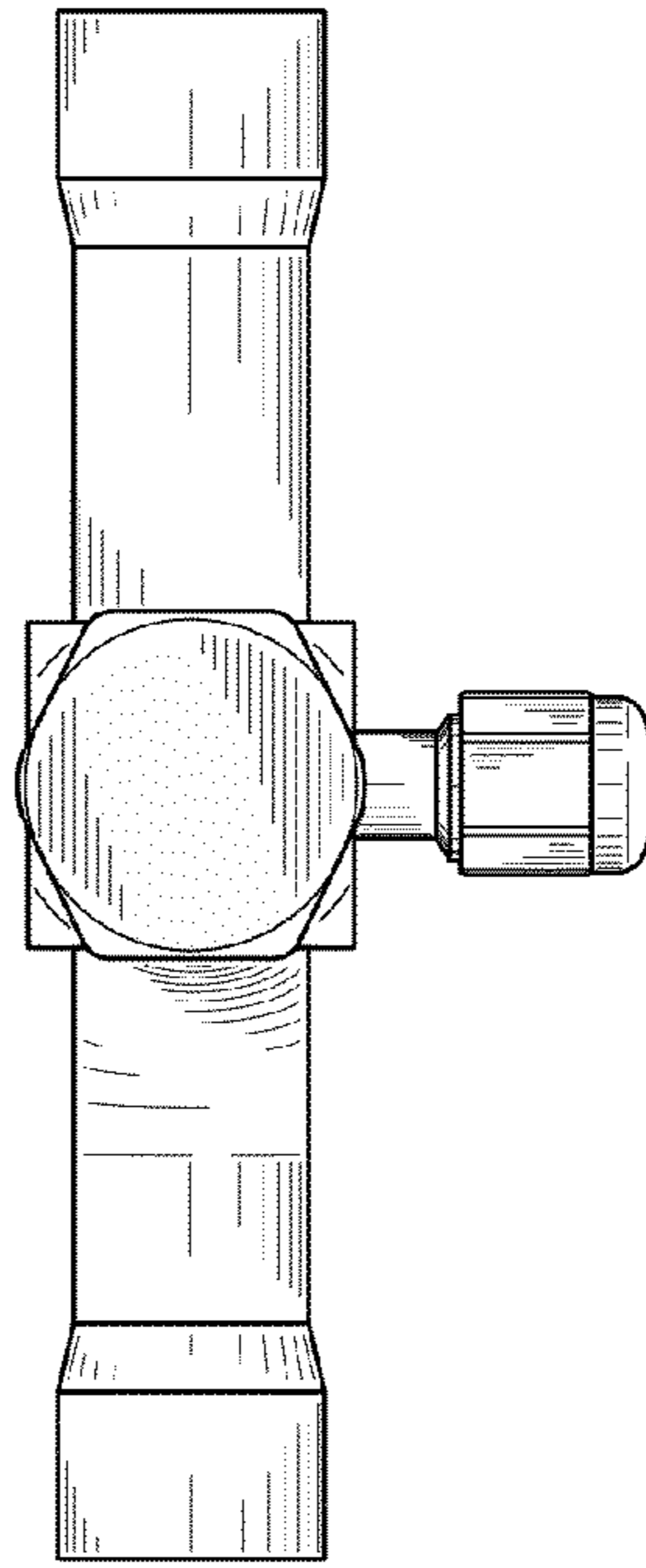


FIG. 6

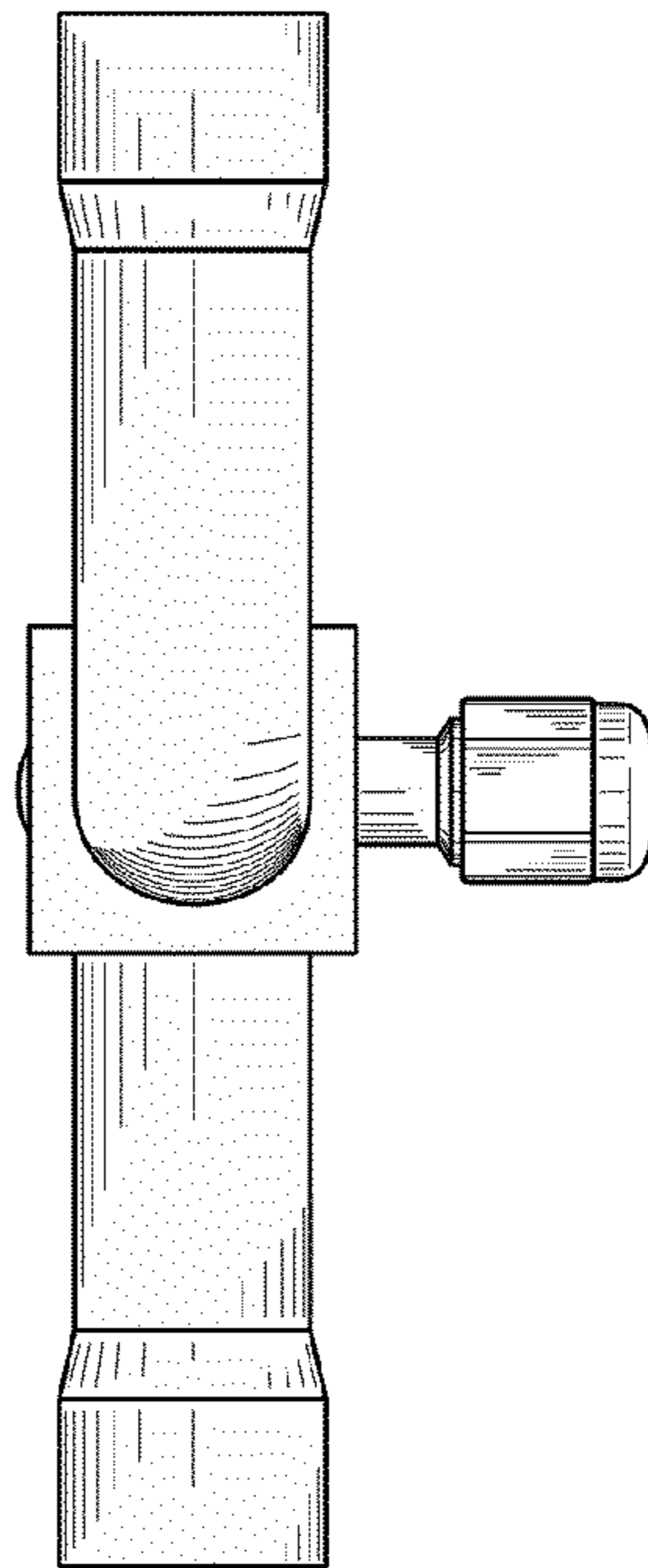


FIG. 7