



US00D690799S

(12) **United States Design Patent**
Maier et al.

(10) **Patent No.:** **US D690,799 S**

(45) **Date of Patent:** **** Oct. 1, 2013**

(54) **SPRAY GUN WITH PATTERN**

(71) Applicant: **SATA GmbH & Co. KG**, Kornwestheim (DE)

(72) Inventors: **Wolfgang Maier**, Altdorf (DE);
Sebastian Scholz, Remseck (DE);
Holger Essig, Benningen (DE)

(73) Assignee: **SATA GmbH & Co. KG**, Kornwestheim (DE)

(**) Term: **14 Years**

(21) Appl. No.: **29/441,183**

(22) Filed: **Jan. 2, 2013**

(30) **Foreign Application Priority Data**

Jul. 2, 2012 (EM) 002066910

(51) **LOC (9) Cl.** **23-01**

(52) **U.S. Cl.**
USPC **D23/226; D5/43**

(58) **Field of Classification Search**
USPC D23/213, 223, 226; D5/43; 239/690,
239/690.1, 291, 526; 361/227, 228
See application file for complete search history.

(56) **References Cited**

U.S. PATENT DOCUMENTS

D321,597 S * 11/1991 Cerny D5/55
6,585,173 B2 * 7/2003 Schmon et al. 239/526
7,017,838 B2 * 3/2006 Schmon 239/526
D548,816 S * 8/2007 Schmon et al. D23/226

(Continued)

Primary Examiner — Robin V Webster

(74) *Attorney, Agent, or Firm* — Fleit Gibbons Gutman
Bongini Bianco PL; Marty Fleit; Paul D. Bianco

(57) **CLAIM**

The ornamental design for a spray gun with pattern, as shown and described.

DESCRIPTION

FIG. 1 is a first perspective view of a first embodiment of a spray gun with a wood grain pattern according to the present invention;

FIG. 2 is a second perspective view of the spray gun of FIG. 1;

FIG. 3 is a front view of the spray gun of FIG. 1;

FIG. 4 is a rear view of the spray gun of FIG. 1;

FIG. 5 is a first side view of the spray gun of FIG. 1;

FIG. 6 is a second side view of the spray gun of FIG. 1;

FIG. 7 is a bottom view of the spray gun of FIG. 1;

FIG. 8 is a top view of the spray gun of FIG. 1;

FIG. 9 is a first perspective view of a second embodiment of a spray gun with a wood grain pattern according to the present invention;

FIG. 10 is a second perspective view of the spray gun of FIG. 9;

FIG. 11 is a front view of the spray gun of FIG. 9;

FIG. 12 is a rear view of the spray gun of FIG. 9;

FIG. 13 is a first side view of the spray gun of FIG. 9;

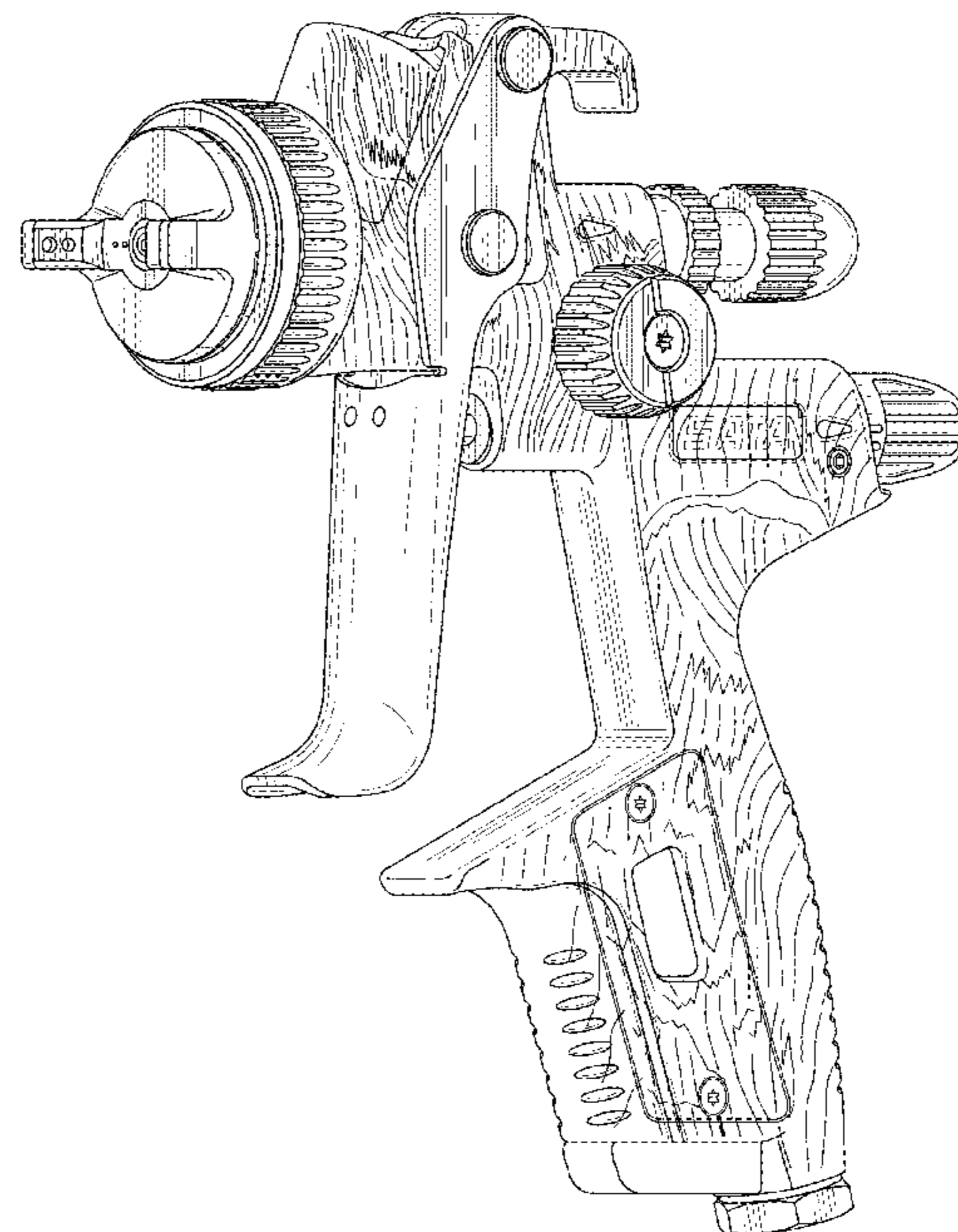
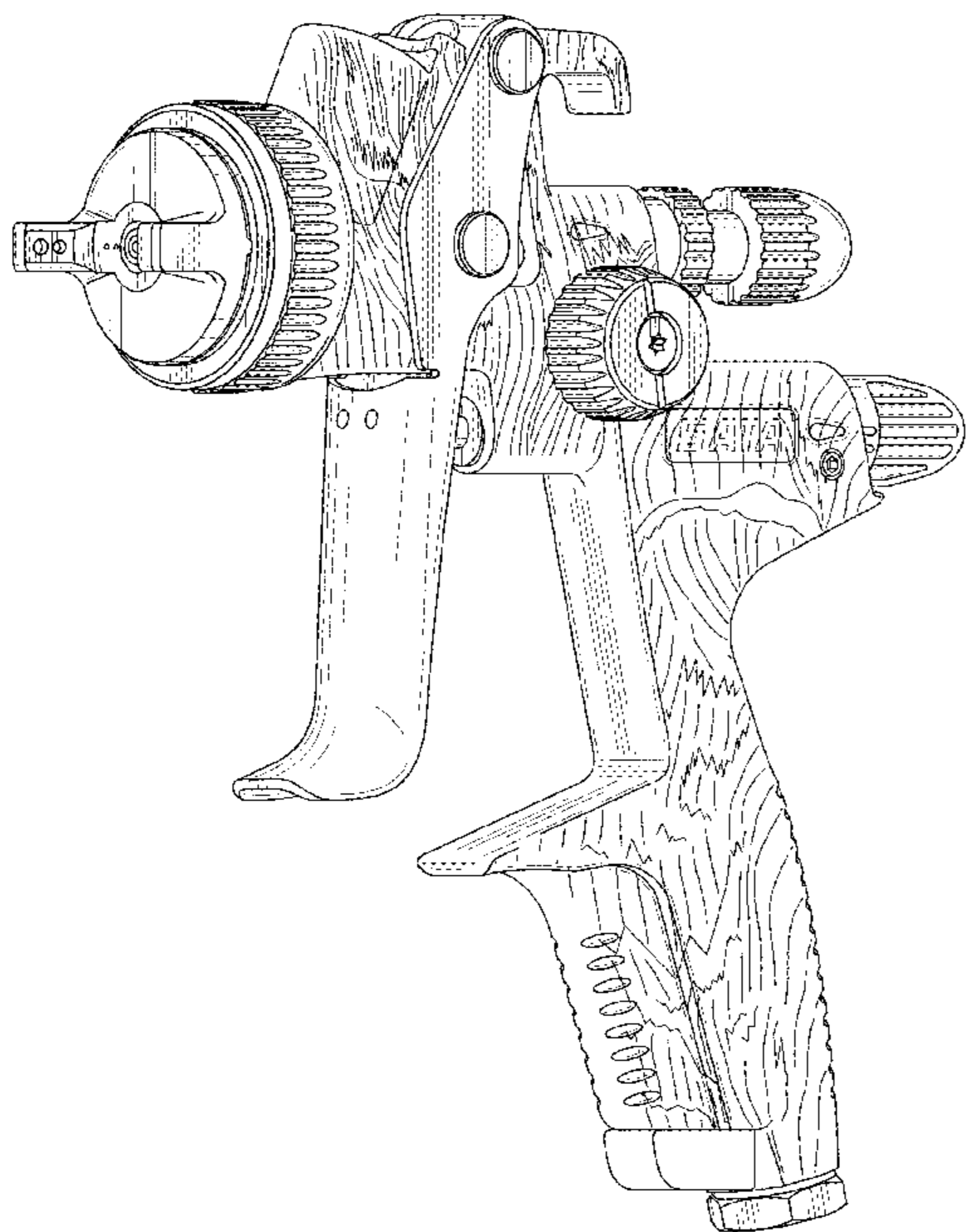
FIG. 14 is a second side view of the spray gun of FIG. 9;

FIG. 15 is a bottom view of the spray gun of FIG. 9; and,

FIG. 16 is a top view of the spray gun of FIG. 9.

The broken lines are for illustrative purposes and form no part of the claimed design.

1 Claim, 12 Drawing Sheets



US D690,799 S

Page 2

(56)

References Cited

U.S. PATENT DOCUMENTS

D552,213 S 10/2007 Schmon et al.
D563,505 S * 3/2008 Schmon et al. D23/226
D579,213 S * 10/2008 Aipa D5/53

D581,483 S * 11/2008 Bass et al. D23/223
D624,668 S 9/2010 Noppe
D641,067 S * 7/2011 Wang D23/226
D644,716 S * 9/2011 Gehrung D23/226
D681,162 S * 4/2013 Kruse et al. D23/226

* cited by examiner

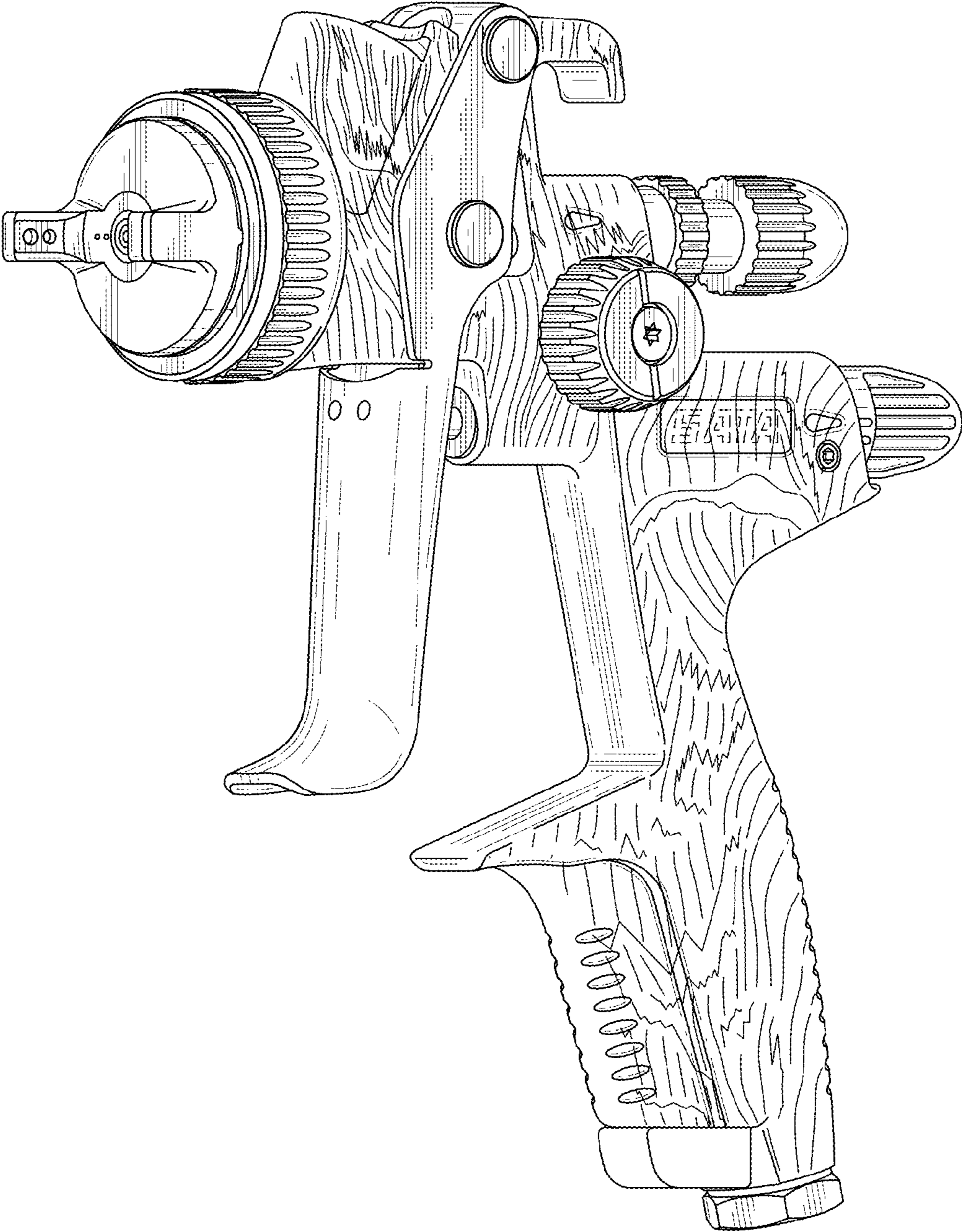


FIG. 1

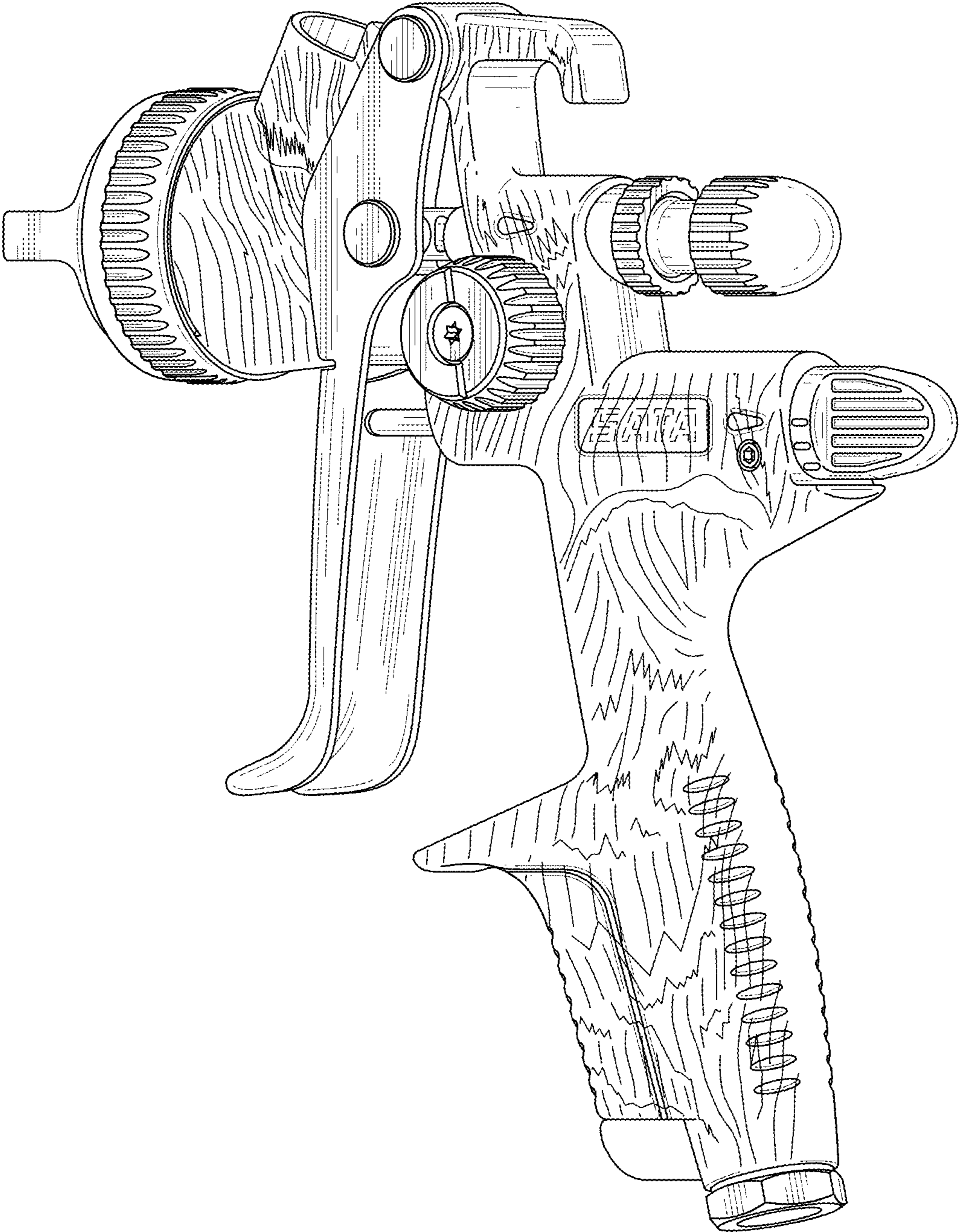


FIG. 2

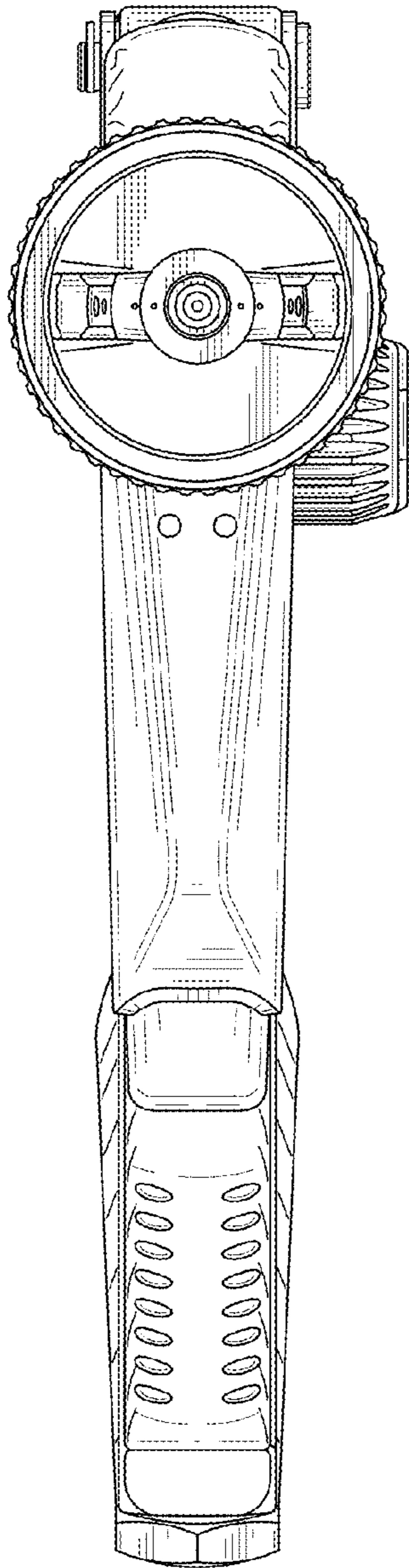


FIG. 3

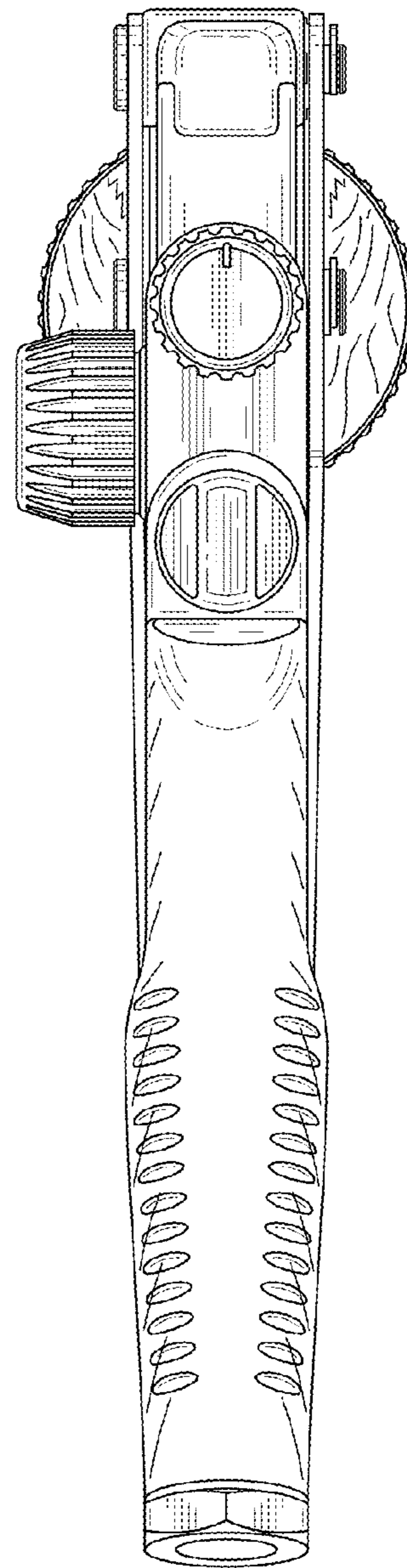


FIG. 4

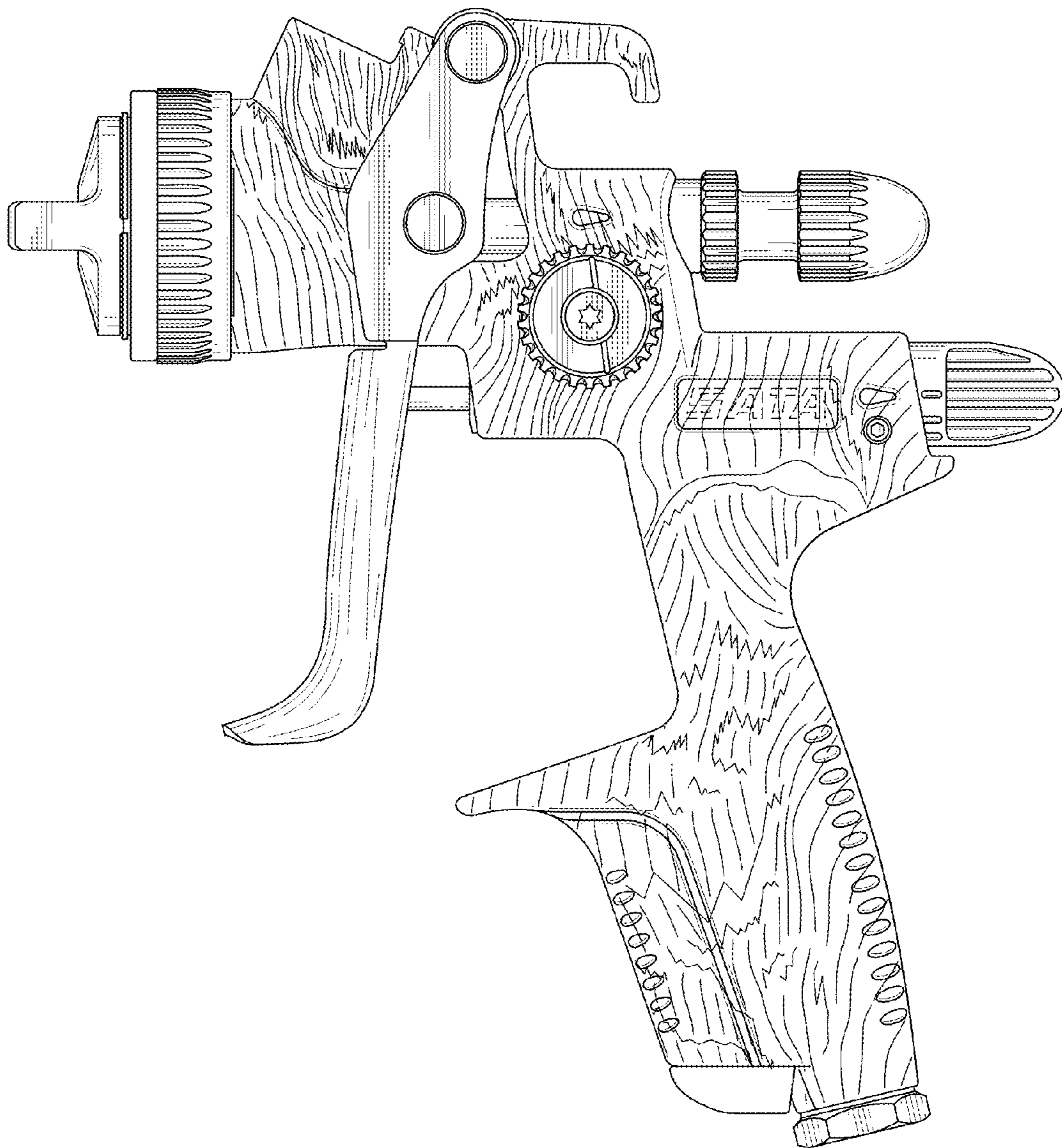


FIG. 5

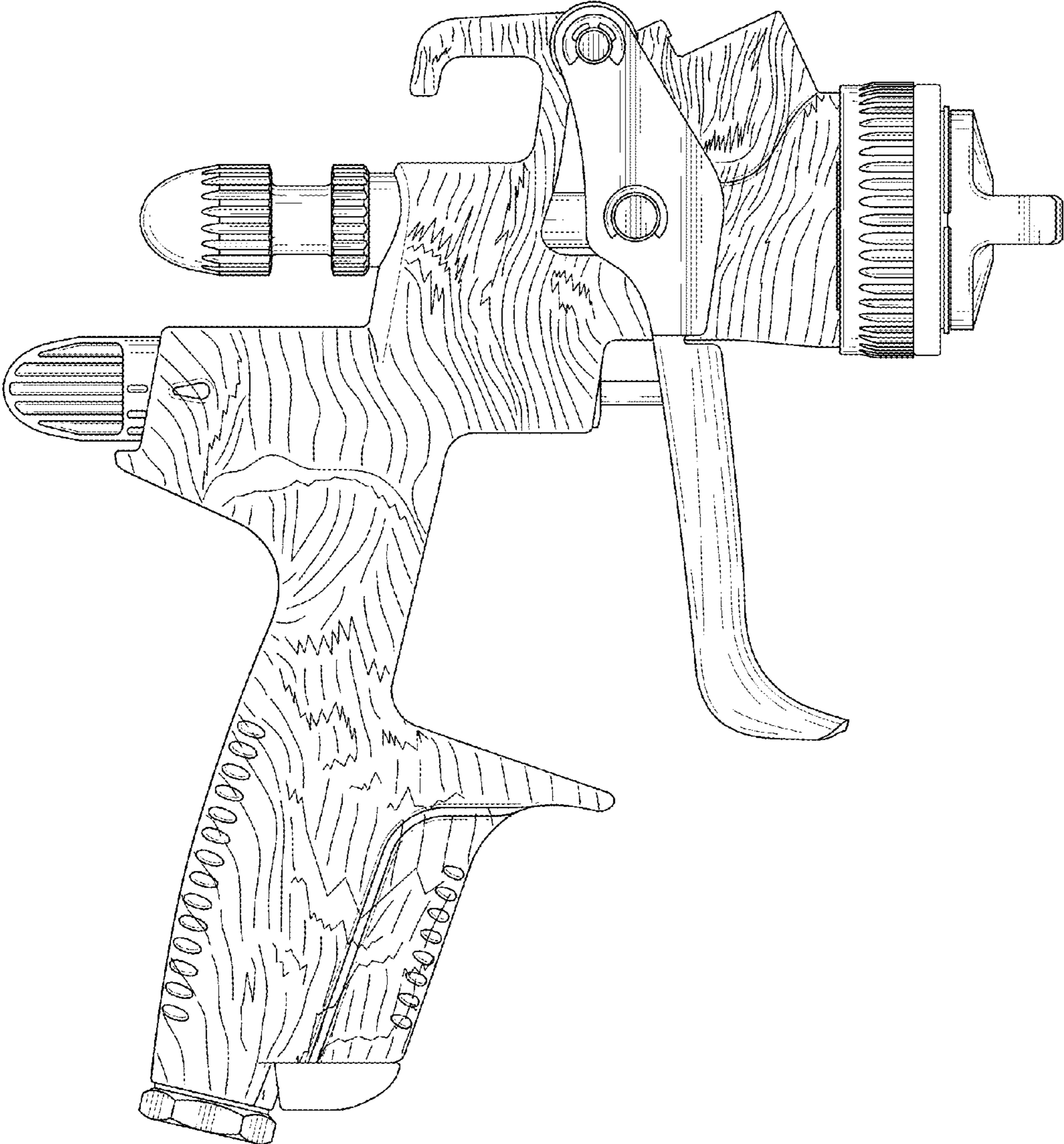


FIG. 6

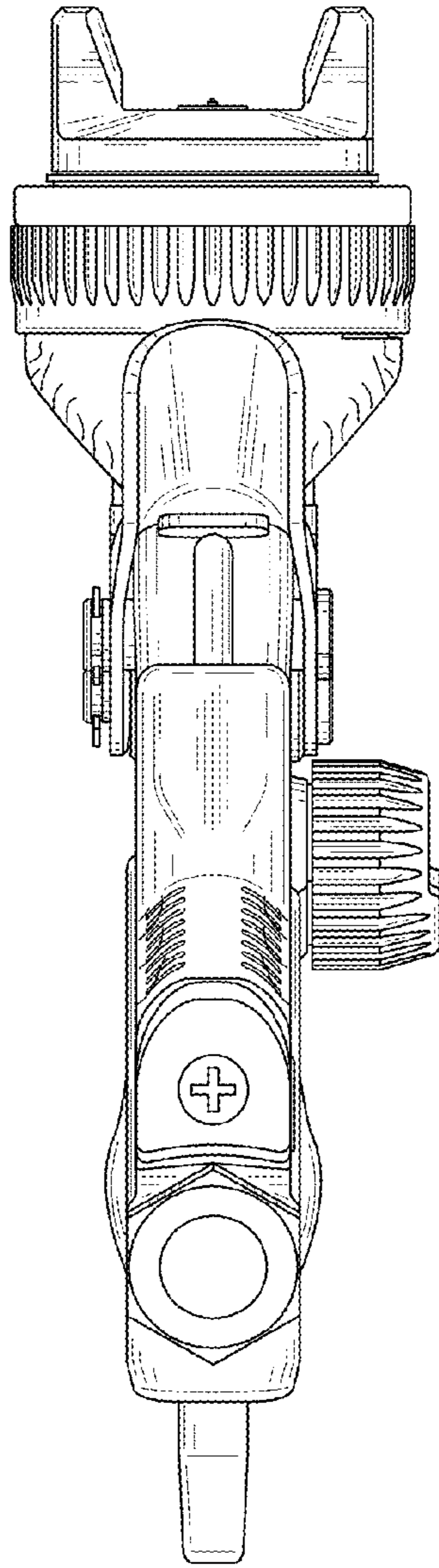


FIG. 7

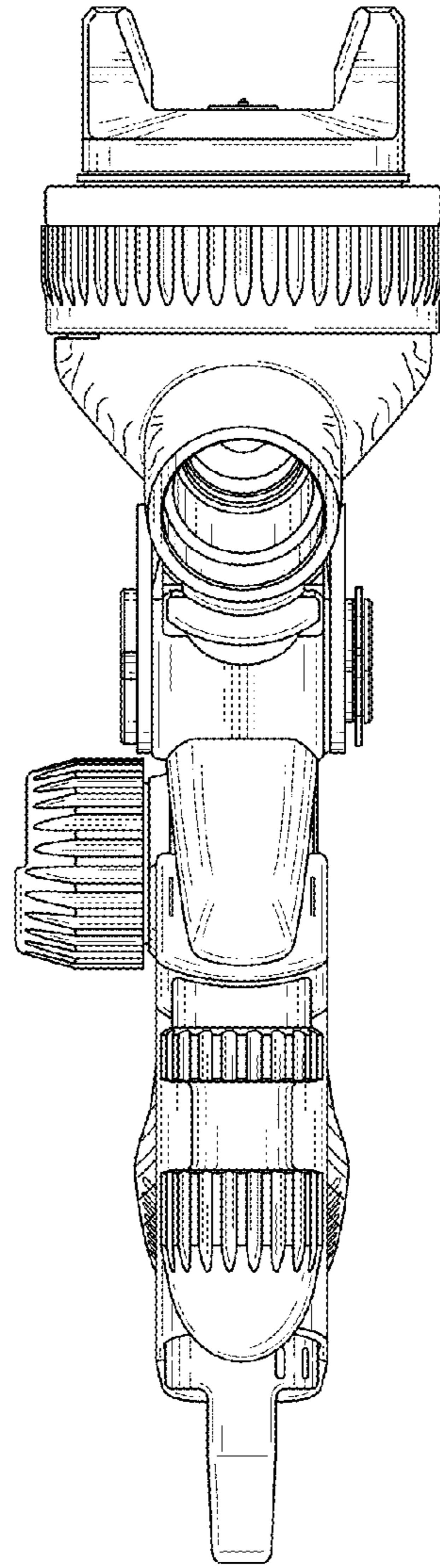


FIG. 8

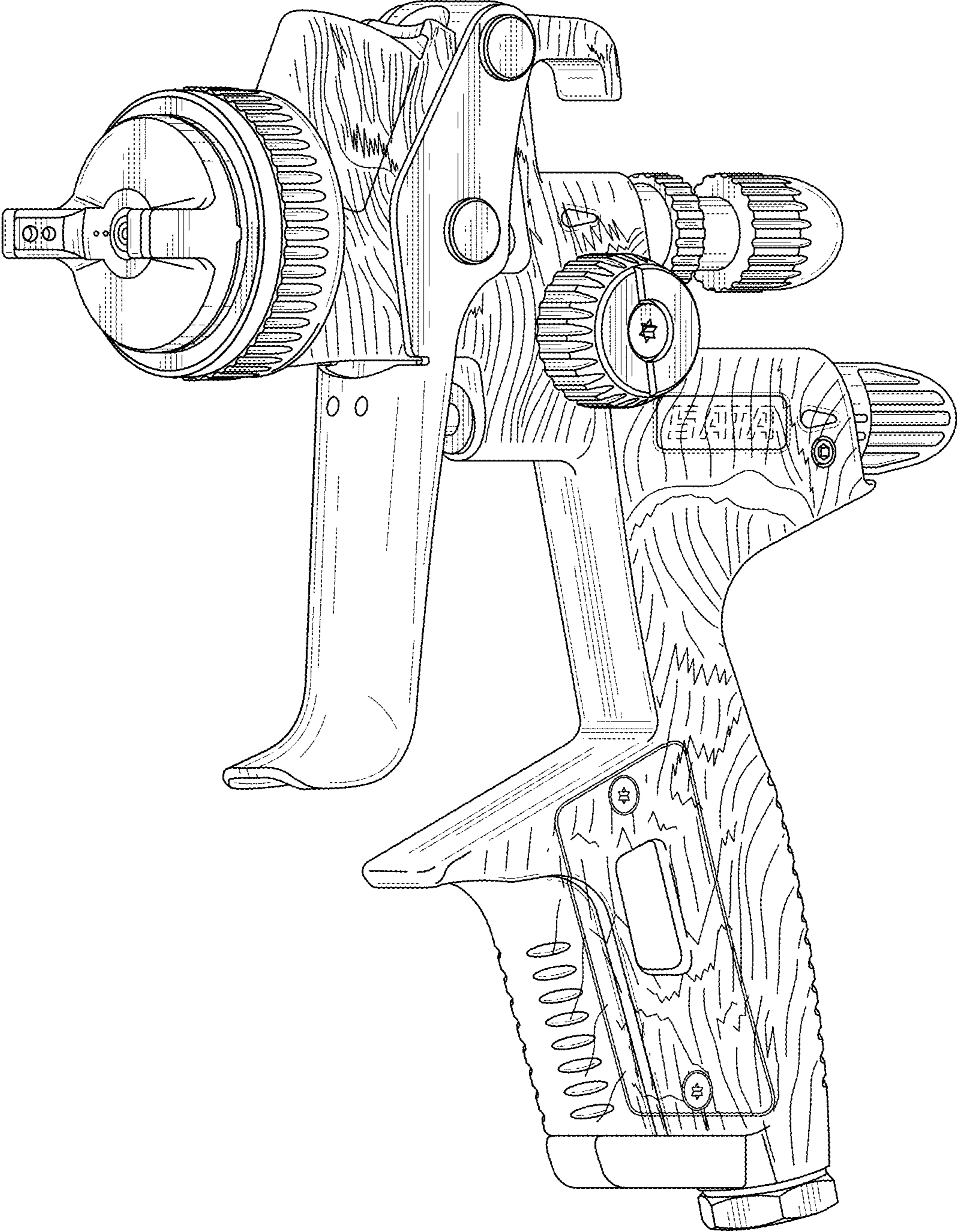


FIG. 9

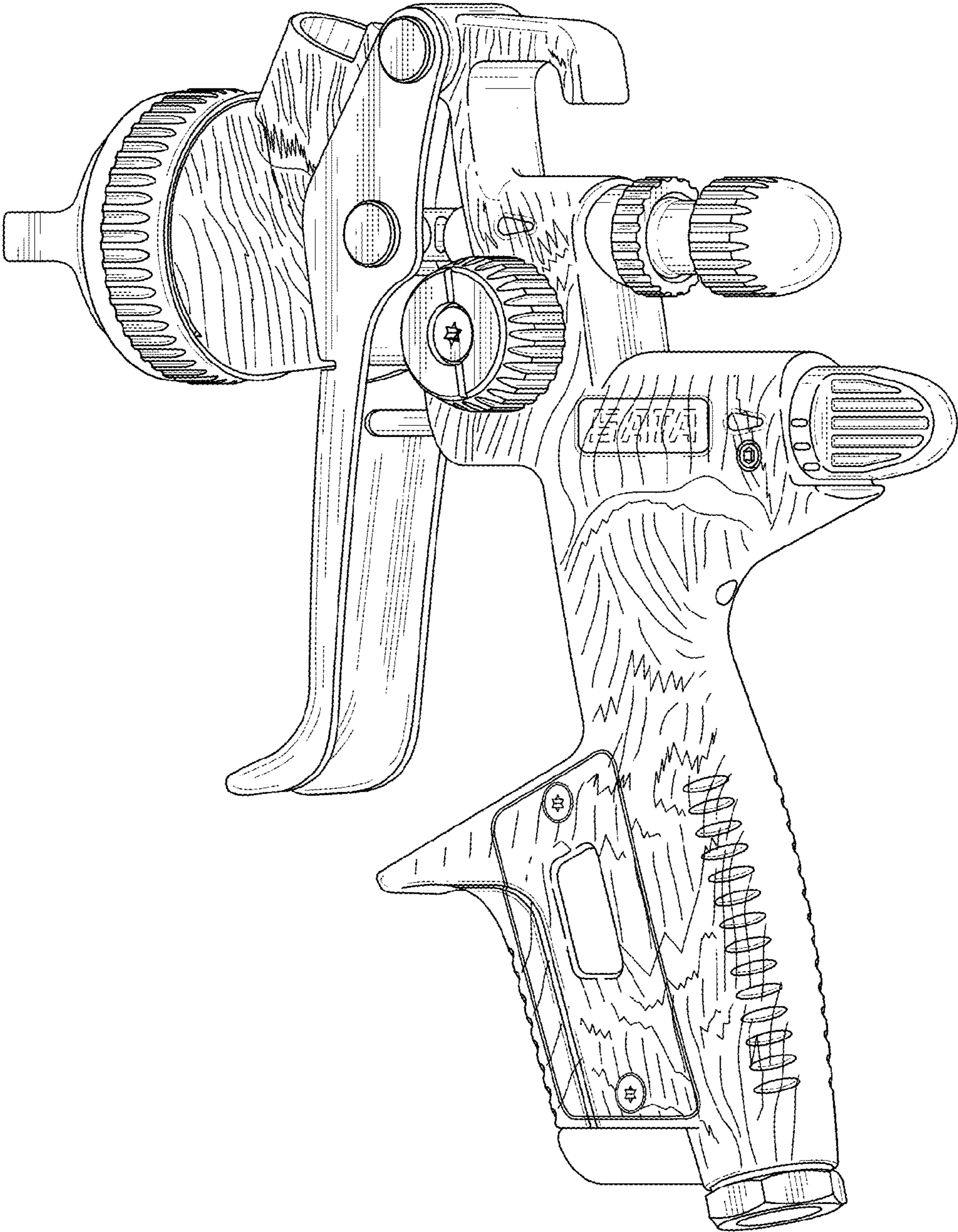


FIG. 10

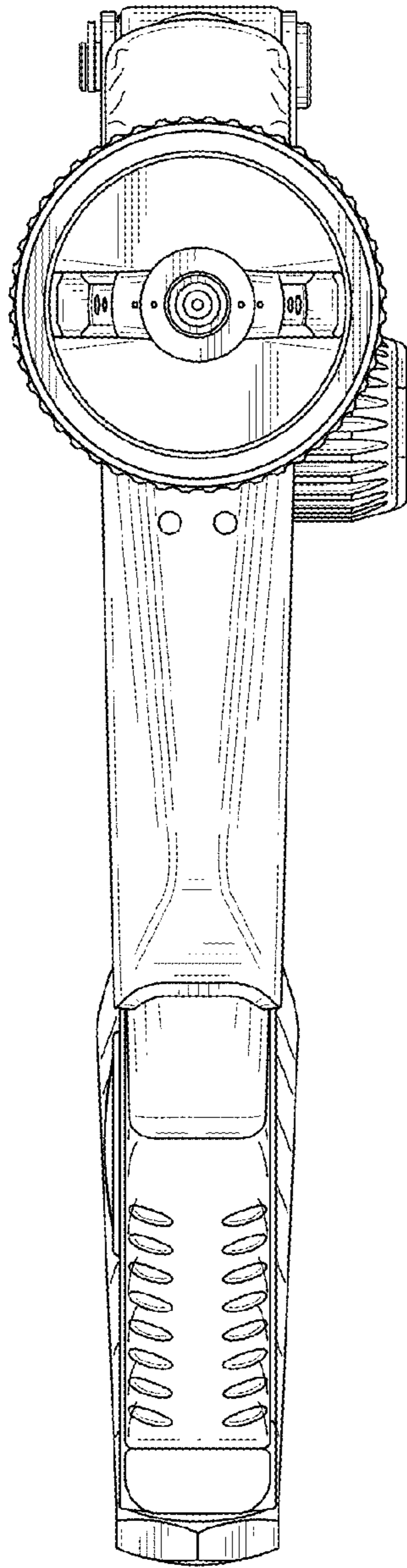


FIG. 11

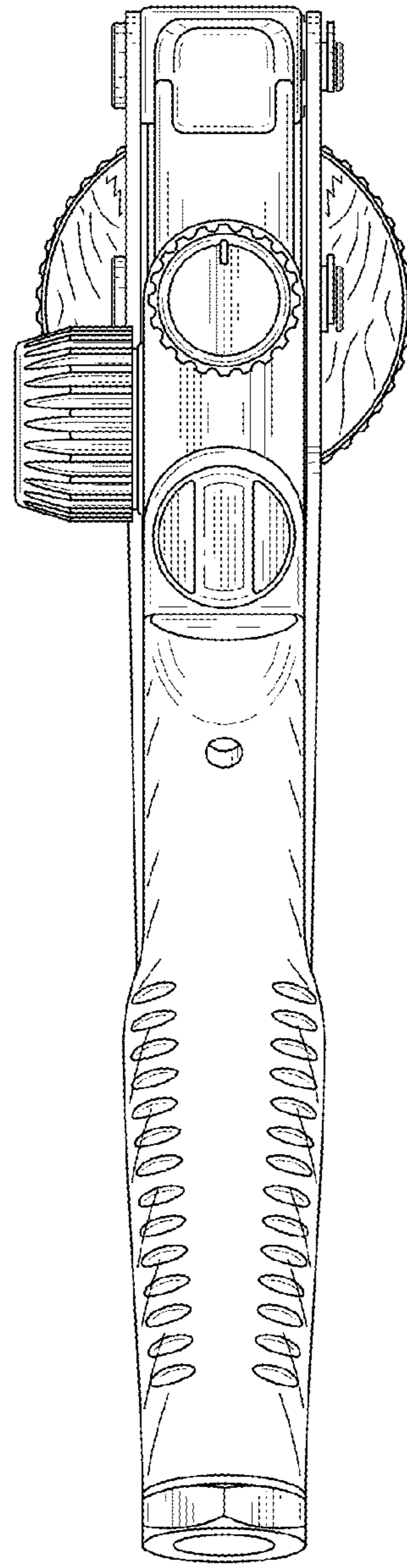


FIG. 12

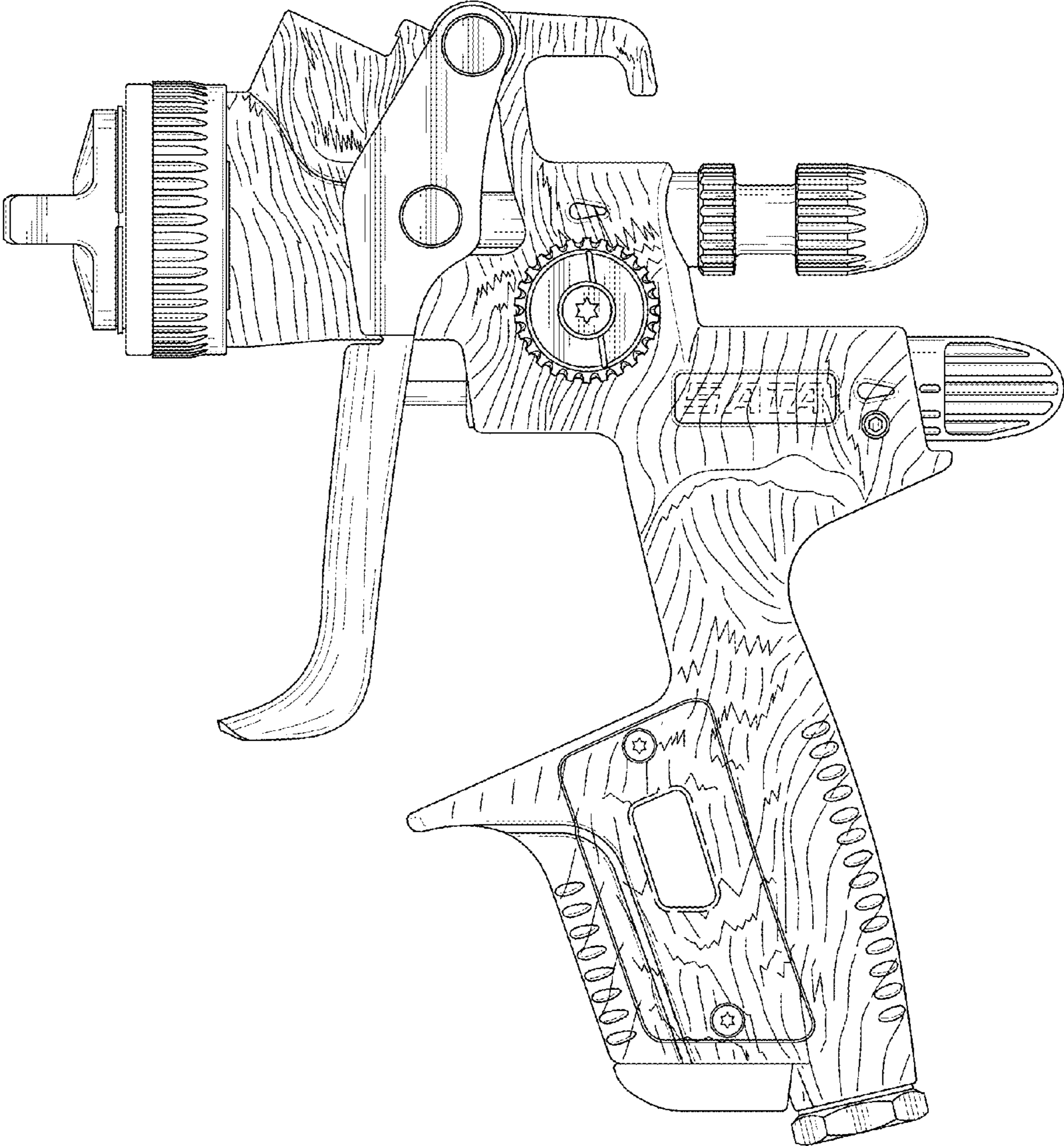


FIG. 13

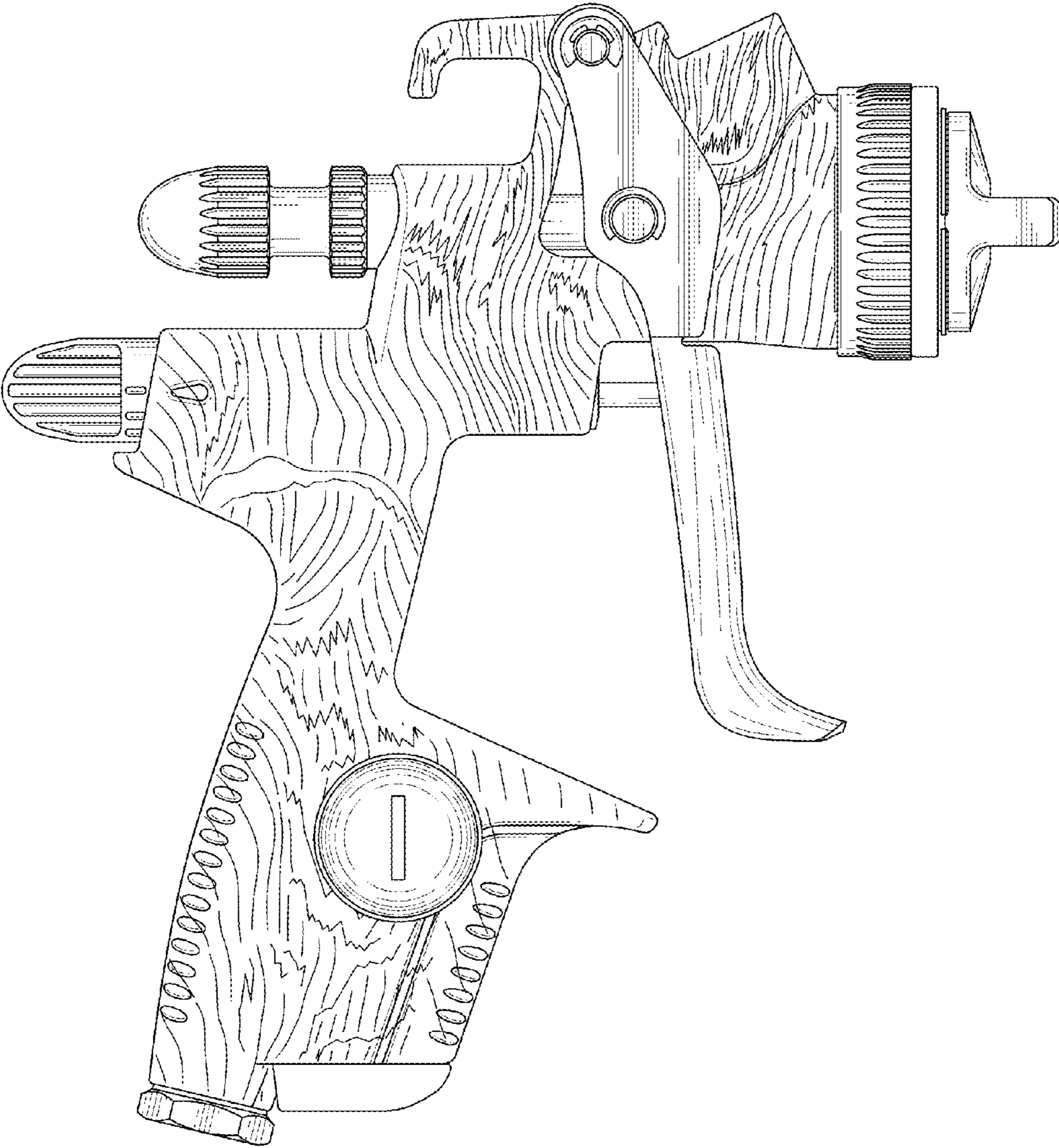


FIG. 14

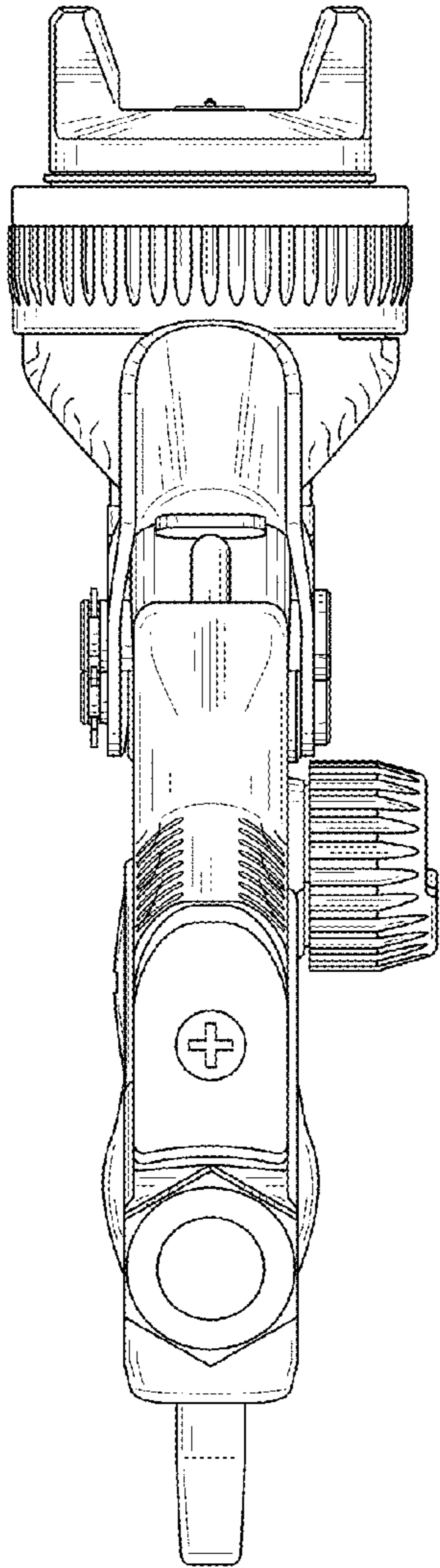


FIG. 15

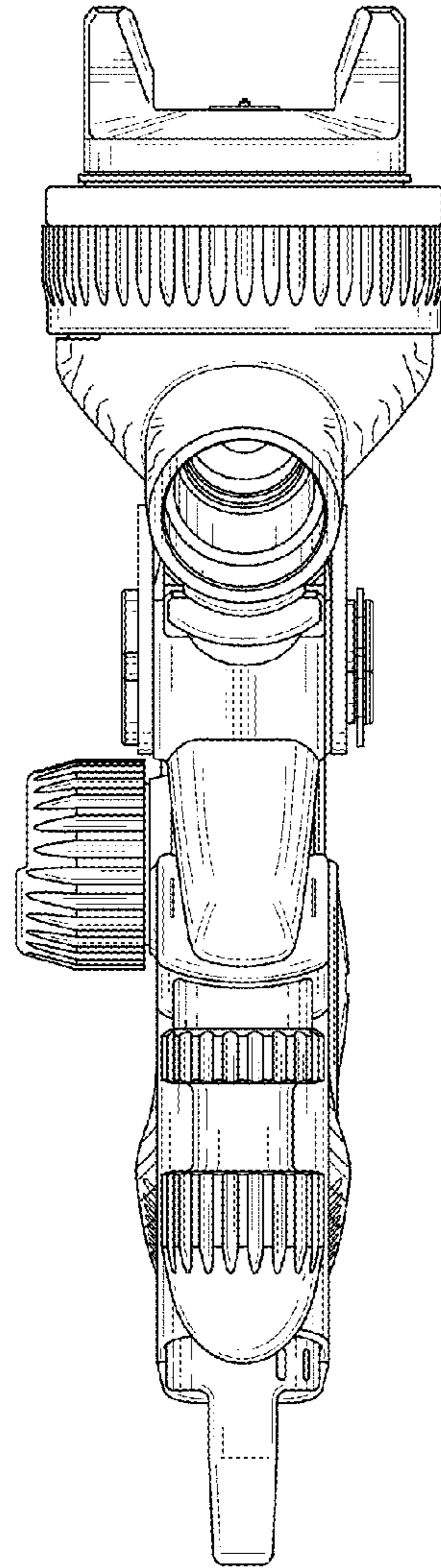


FIG. 16