

US00D690796S

(12) **United States Design Patent**
Blum

(10) **Patent No.:** **US D690,796 S**

(45) **Date of Patent:** **** Oct. 1, 2013**

(54) **FLOW REGULATOR**

(75) Inventor: **Gerhard Blum**, Gutach (DE)

(73) Assignee: **Neoperl GmbH**, Mullheim (DE)

(**) Term: **14 Years**

(21) Appl. No.: **29/388,860**

(22) Filed: **Apr. 4, 2011**

(30) **Foreign Application Priority Data**

Dec. 22, 2010 (EP) 1251946-0001/0163

(51) **LOC (9) Cl.** **23-01**

(52) **U.S. Cl.**

USPC **D23/213; D23/249**

(58) **Field of Classification Search**

USPC D23/213, 249; 239/428.5, 437;
261/DIG. 22

See application file for complete search history.

(56) **References Cited**

U.S. PATENT DOCUMENTS

D536,417 S *	2/2007	Buttgen	D23/213
D537,916 S *	3/2007	Buttgen	D23/213
D577,416 S *	9/2008	Buttgen	D23/213

* cited by examiner

Primary Examiner — Robin V Webster

(74) *Attorney, Agent, or Firm* — Volpe and Koenig, P.C.

(57) **CLAIM**

The design for a flow regulator, as shown and described.

DESCRIPTION

FIG. 1 is a top plan view of a flow regulator in accordance with my design;

FIG. 2 is a top, front, right perspective view thereof;

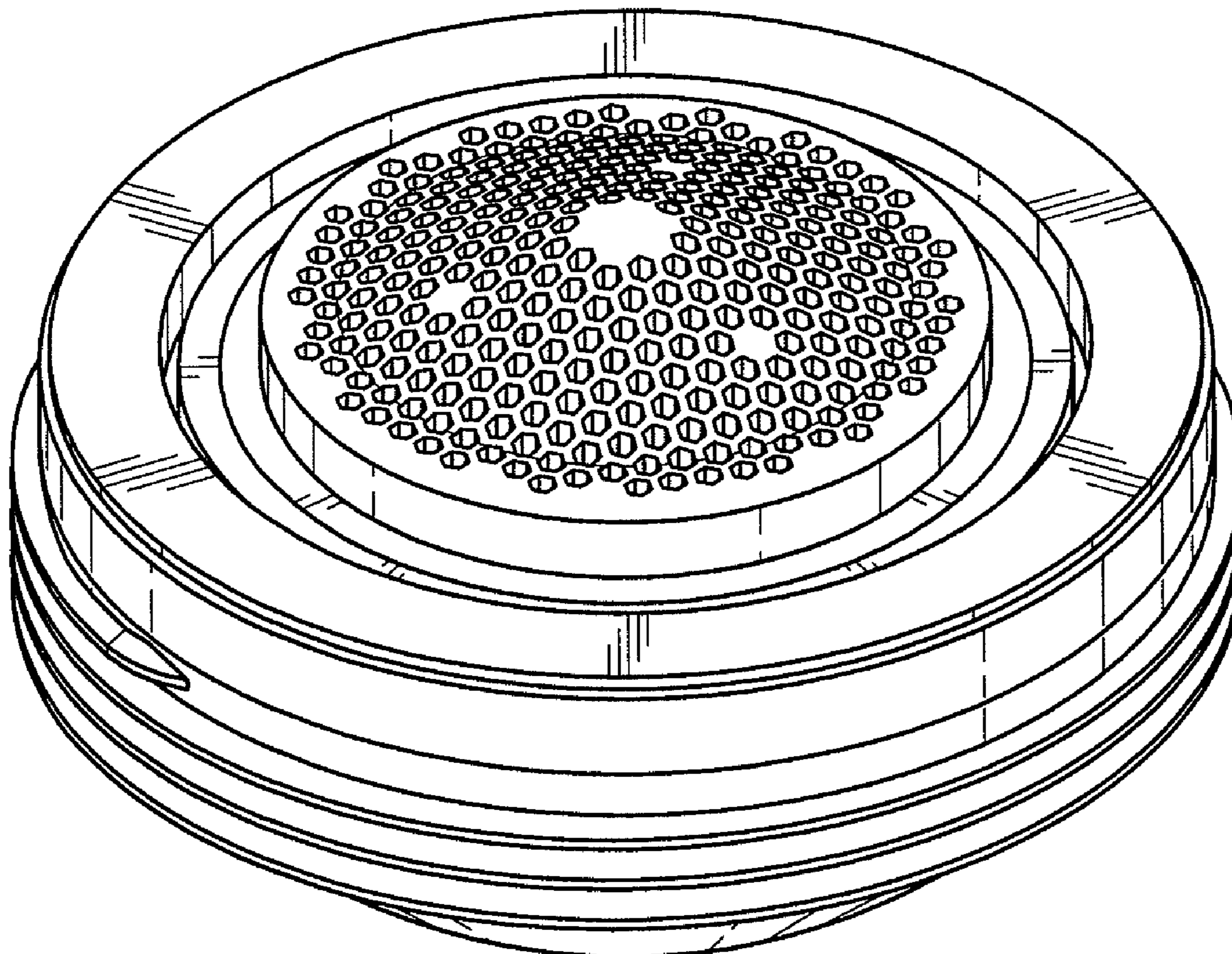
FIG. 3 is a bottom plan view thereof;

FIG. 4 is a bottom, front, right perspective view thereof;

FIG. 5 is a right side elevational view thereof, with the left side elevational view being a mirror image thereof; and,

FIG. 6 is a cross-section view taken along lines 6-6 in FIG. 3.

1 Claim, 6 Drawing Sheets



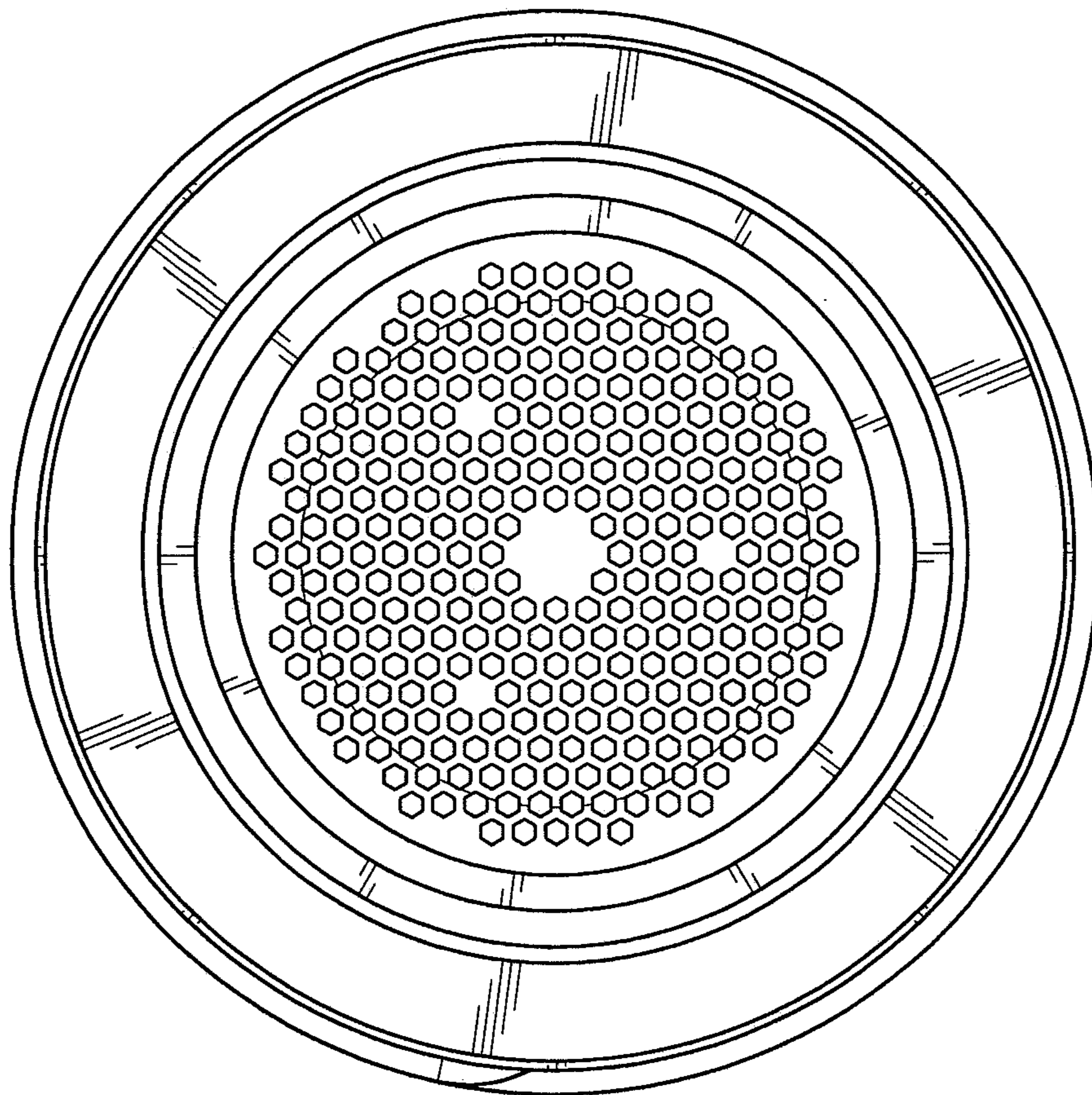


Fig. 1

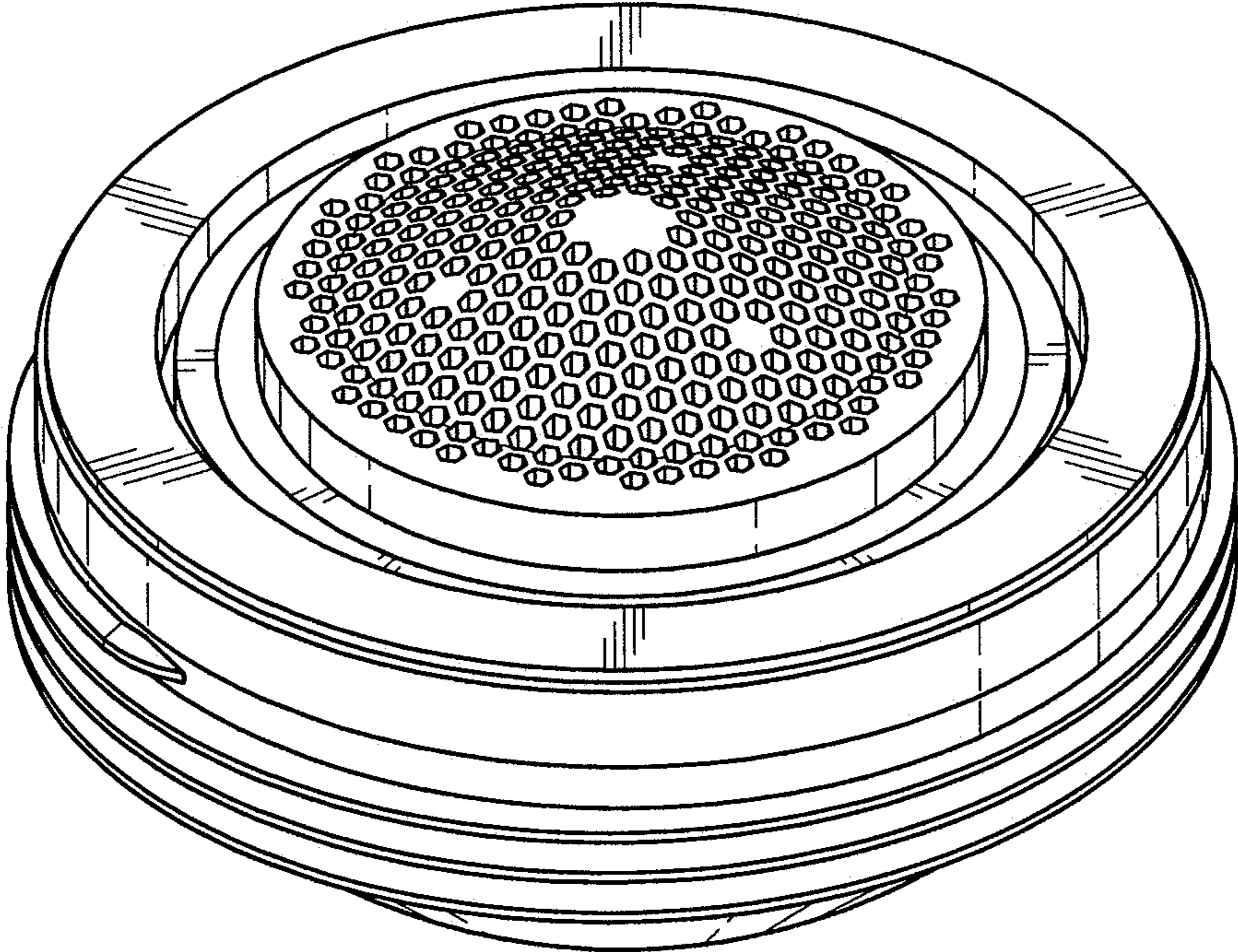


Fig. 2

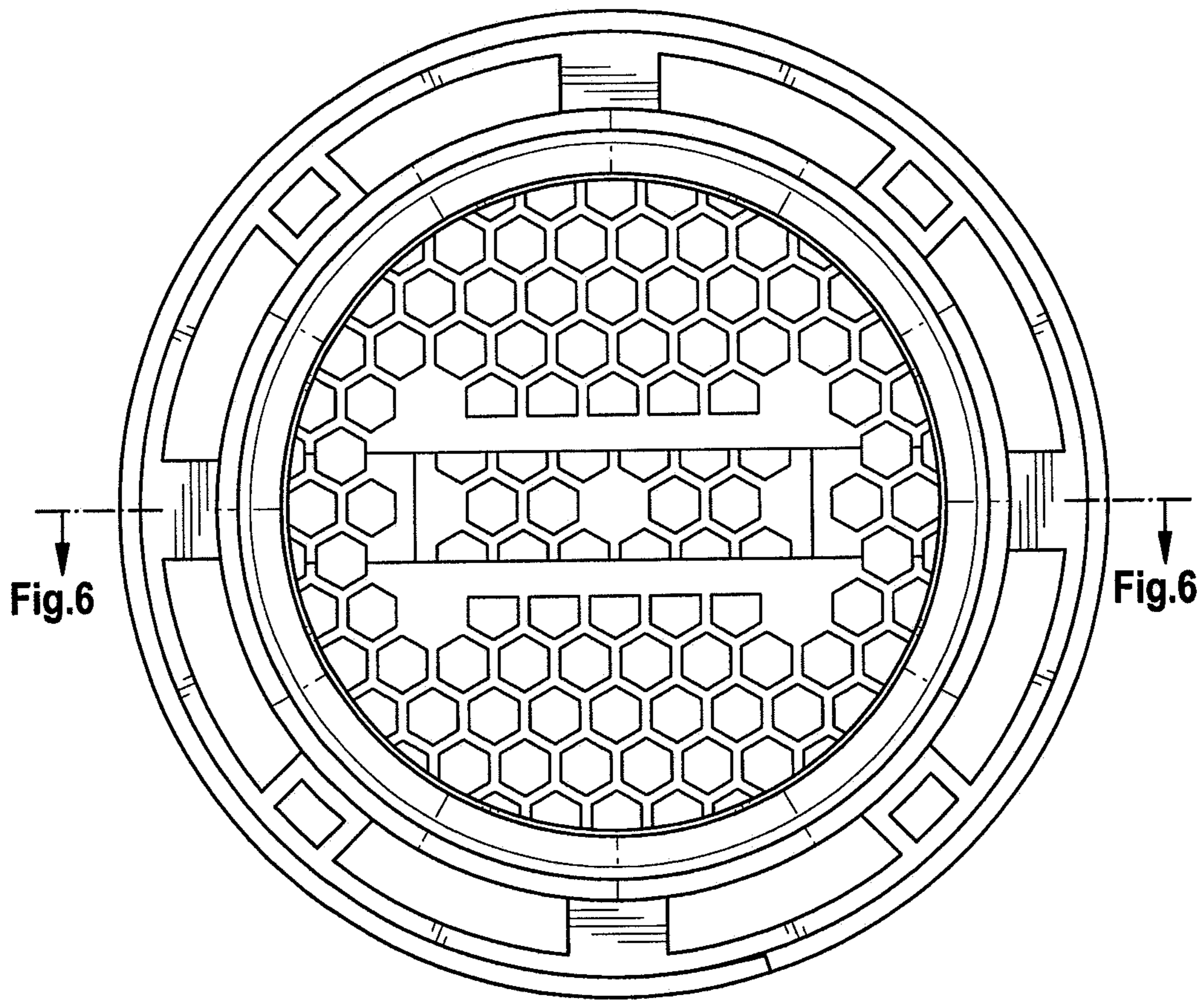


Fig. 3

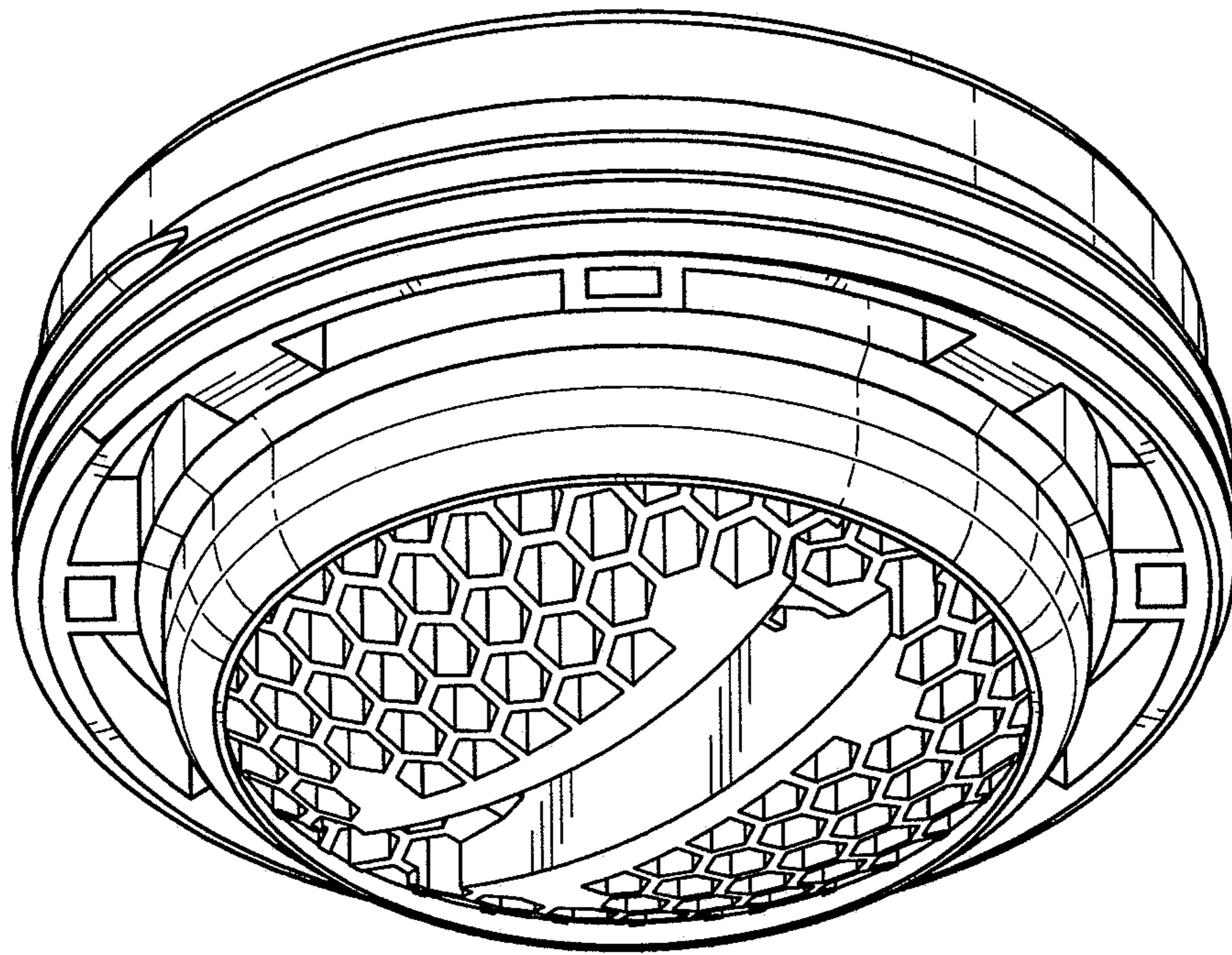


Fig. 4

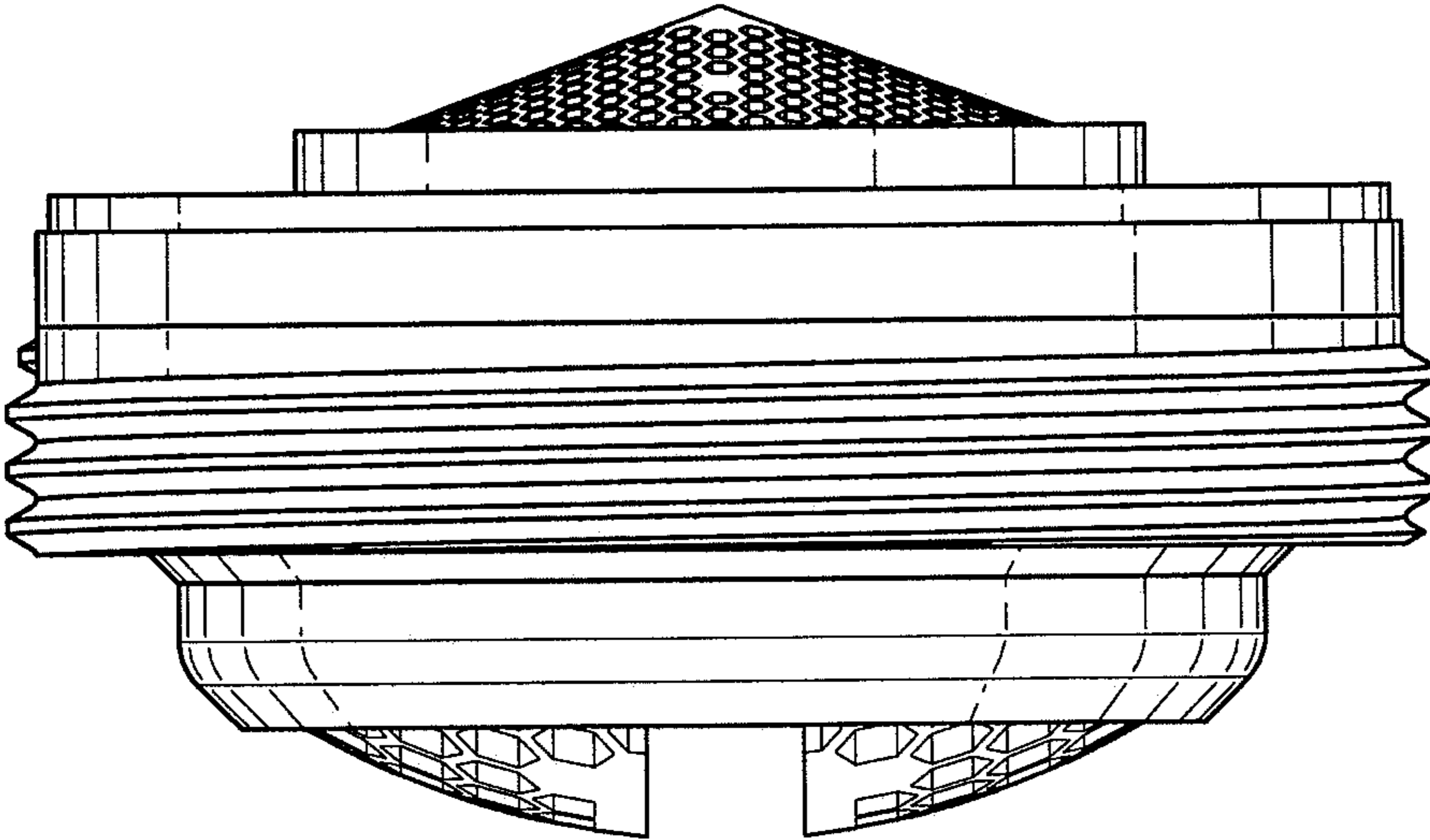


Fig. 5

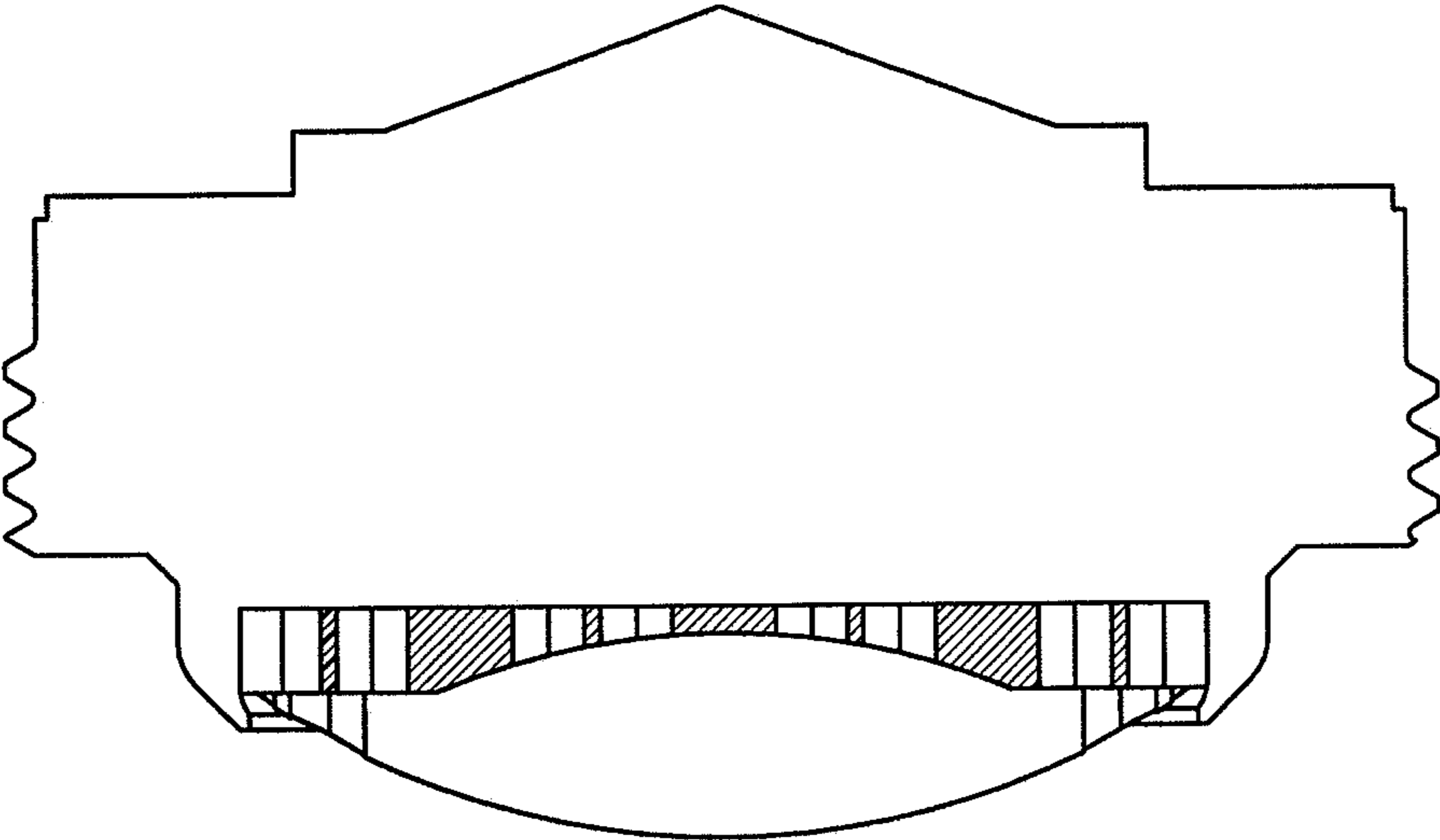


Fig. 6