



US00D690795S

(12) **United States Design Patent**
Reif

(10) **Patent No.:** **US D690,795 S**

(45) **Date of Patent:** **** Oct. 1, 2013**

(54) **KEY FOR A WATER FILTER ASSEMBLY**

(71) Applicant: **Stephen Carl Reif**, Tarpon Springs, FL (US)

(72) Inventor: **Stephen Carl Reif**, Tarpon Springs, FL (US)

(73) Assignee: **Paragon Water Systems, Inc.**, Clearwater, FL (US)

(**) Term: **14 Years**

(21) Appl. No.: **29/433,026**

(22) Filed: **Sep. 25, 2012**

(51) **LOC (9) Cl.** **23-01**

(52) **U.S. Cl.**
USPC **D23/209**

(58) **Field of Classification Search**
USPC . D23/207, 209; D8/330, 331; 210/234-235, 210/232, 444
See application file for complete search history.

5,336,406 A	8/1994	Stanford et al.
5,390,701 A	2/1995	Lessley et al.
5,456,830 A	10/1995	Stanford et al.
5,486,288 A	1/1996	Stanford et al.
5,560,824 A	10/1996	Sann et al.
5,590,687 A	1/1997	Vaughan
5,591,332 A	1/1997	Reid et al.
5,601,710 A	2/1997	Yoon et al.
D388,500 S	12/1997	Burchard et al.
5,695,168 A	12/1997	Williams
5,744,030 A	4/1998	Reid et al.
5,753,107 A	5/1998	Magnusson et al.
5,826,854 A	10/1998	Janvrin et al.
6,027,644 A	2/2000	Magnusson et al.
6,193,884 B1	2/2001	Magnusson et al.
6,258,265 B1	7/2001	Jones
6,360,764 B1	3/2002	Fritze
6,458,269 B1	10/2002	Bassett et al.
D472,604 S	4/2003	Fritze
6,649,056 B2	11/2003	Fritze
D494,654 S	8/2004	Macaulay et al.
6,949,189 B2	9/2005	Bassett et al.
6,953,526 B1	10/2005	Fritze

(Continued)

Primary Examiner — Robin V Webster

(74) *Attorney, Agent, or Firm* — Greer, Burns & Crain, Ltd.

(56) **References Cited**

U.S. PATENT DOCUMENTS

3,746,171 A	7/1973	Thomsen
4,052,307 A	10/1977	Humbert, Jr.
4,077,876 A	3/1978	Southall
4,082,673 A	4/1978	Cilento
4,529,515 A	7/1985	Selz
4,615,812 A	10/1986	Darling
4,709,831 A	12/1987	Coplan
D303,620 S	9/1989	Russell et al.
4,877,521 A	10/1989	Petrucci et al.
4,915,831 A	4/1990	Taylor
4,956,086 A	9/1990	Thomsen et al.
5,035,797 A	7/1991	Janik
D322,836 S	12/1991	Petrucci et al.
5,167,814 A	12/1992	Pulek
5,197,899 A	3/1993	Akeda
5,256,285 A	10/1993	Tomita et al.

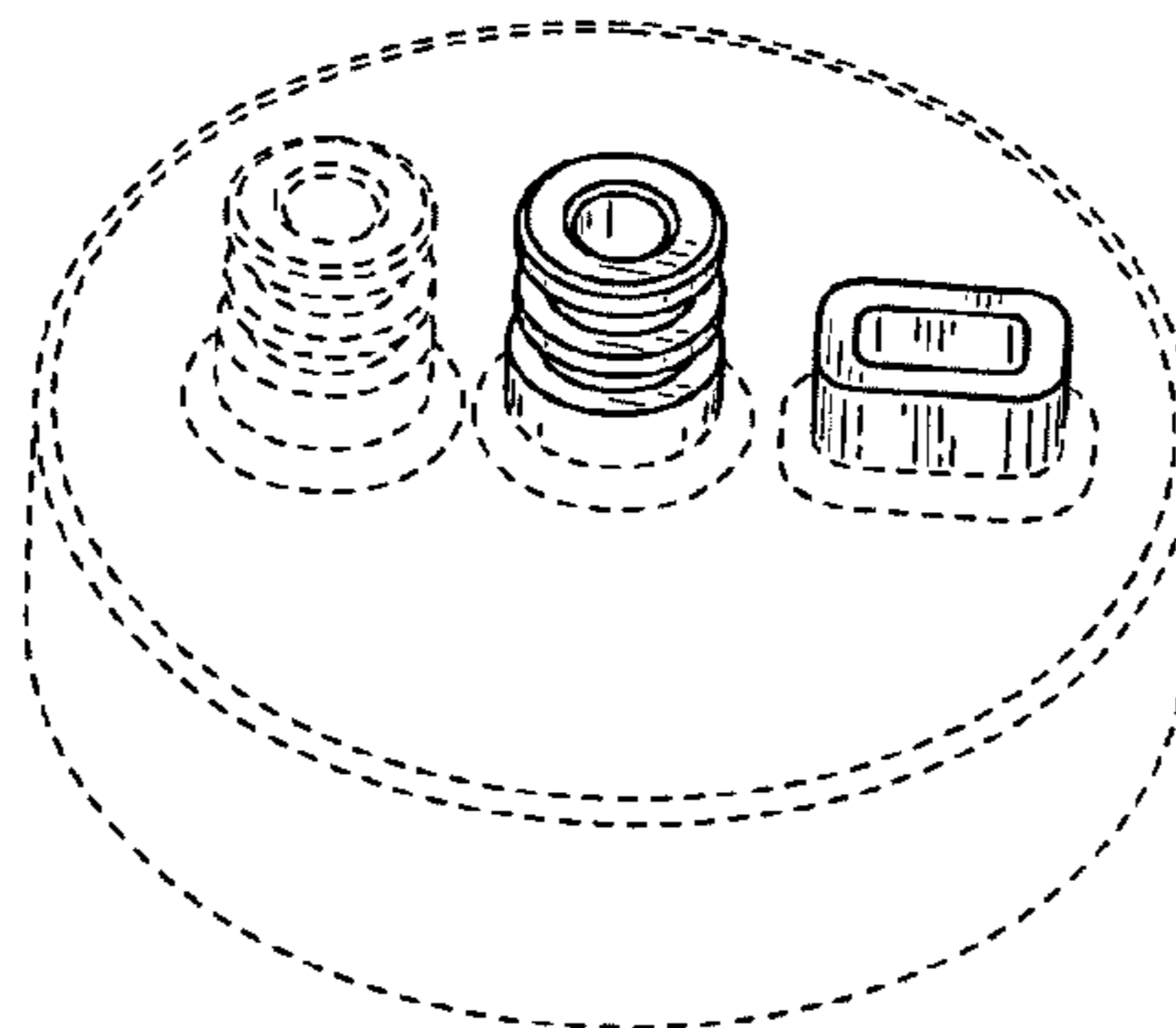
(57) **CLAIM**

The ornamental design for a key for a water filter assembly, as shown and described.

DESCRIPTION

FIG. 1 is a top perspective view of a portion of a key for a water filter assembly;
FIG. 2 is a top plan view thereof;
FIG. 3 is a front elevation view thereof, the rear view being a mirror image of same;
FIG. 4 is a left side elevation view thereof; and,
FIG. 5 is a right side elevation view thereof.
The subject matter shown in broken lines is not considered part of the claimed design.

1 Claim, 1 Drawing Sheet



(56)

References Cited

U.S. PATENT DOCUMENTS

6,977,039 B2 12/2005 Knoll et al.
7,147,773 B2 12/2006 Mitchell et al.
D541,371 S 4/2007 McKay
D610,225 S * 2/2010 Swain et al. D23/209
D631,527 S * 1/2011 Swain et al. D23/209
2002/0017497 A1 2/2002 Fritze
2004/0238428 A1 12/2004 Fritze

2005/0035042 A1 2/2005 Rowe et al.
2005/0067342 A1 3/2005 Bassett et al.
2005/0103697 A1 5/2005 Magnusson et al.
2005/0230300 A1 10/2005 Kato
2005/0252841 A1 11/2005 Bassett et al.
2006/0000754 A1 1/2006 Kang et al.
2006/0091047 A1 5/2006 Ye
2007/0284296 A1 12/2007 Swain et al.

* cited by examiner

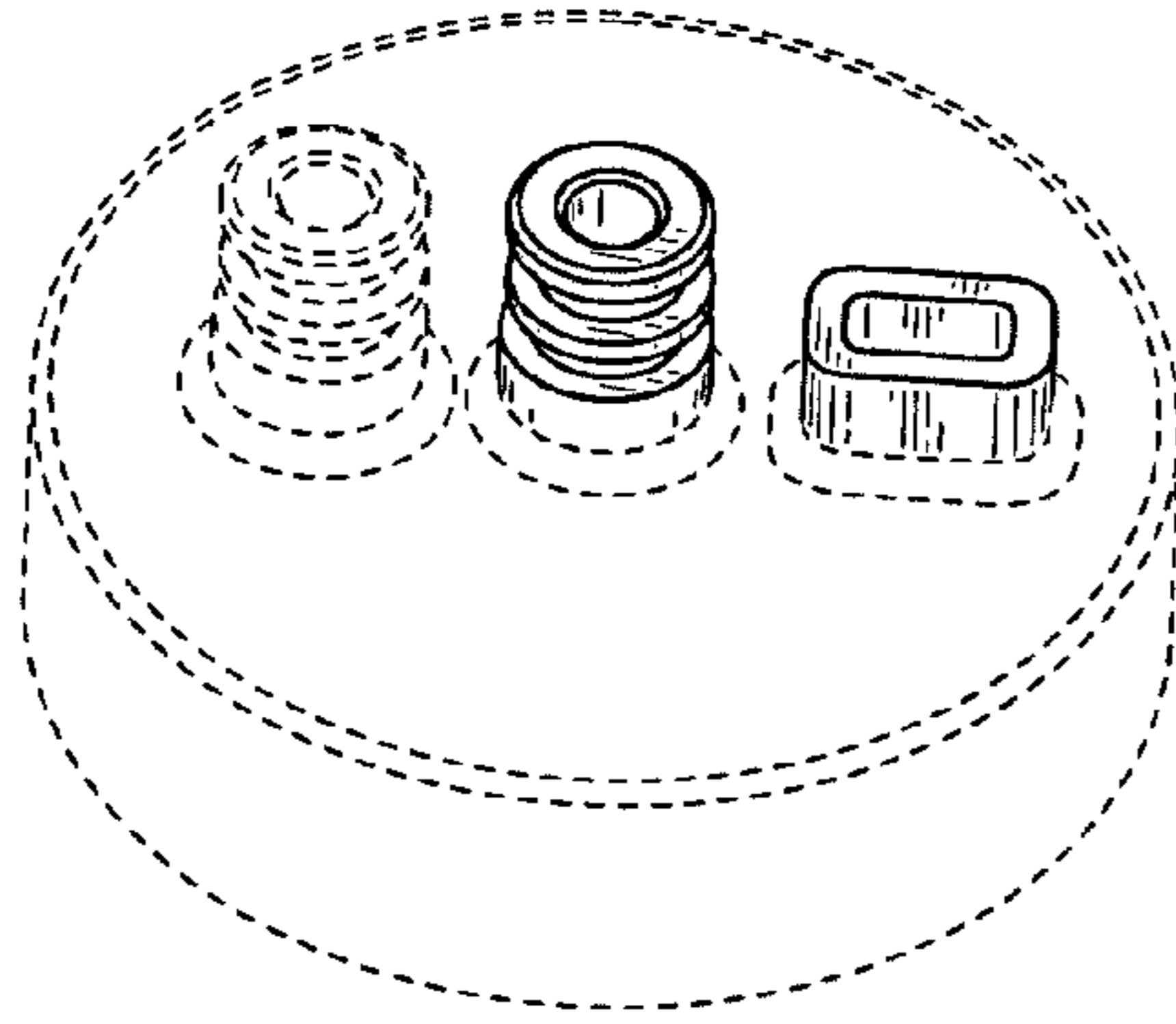


FIG. 1

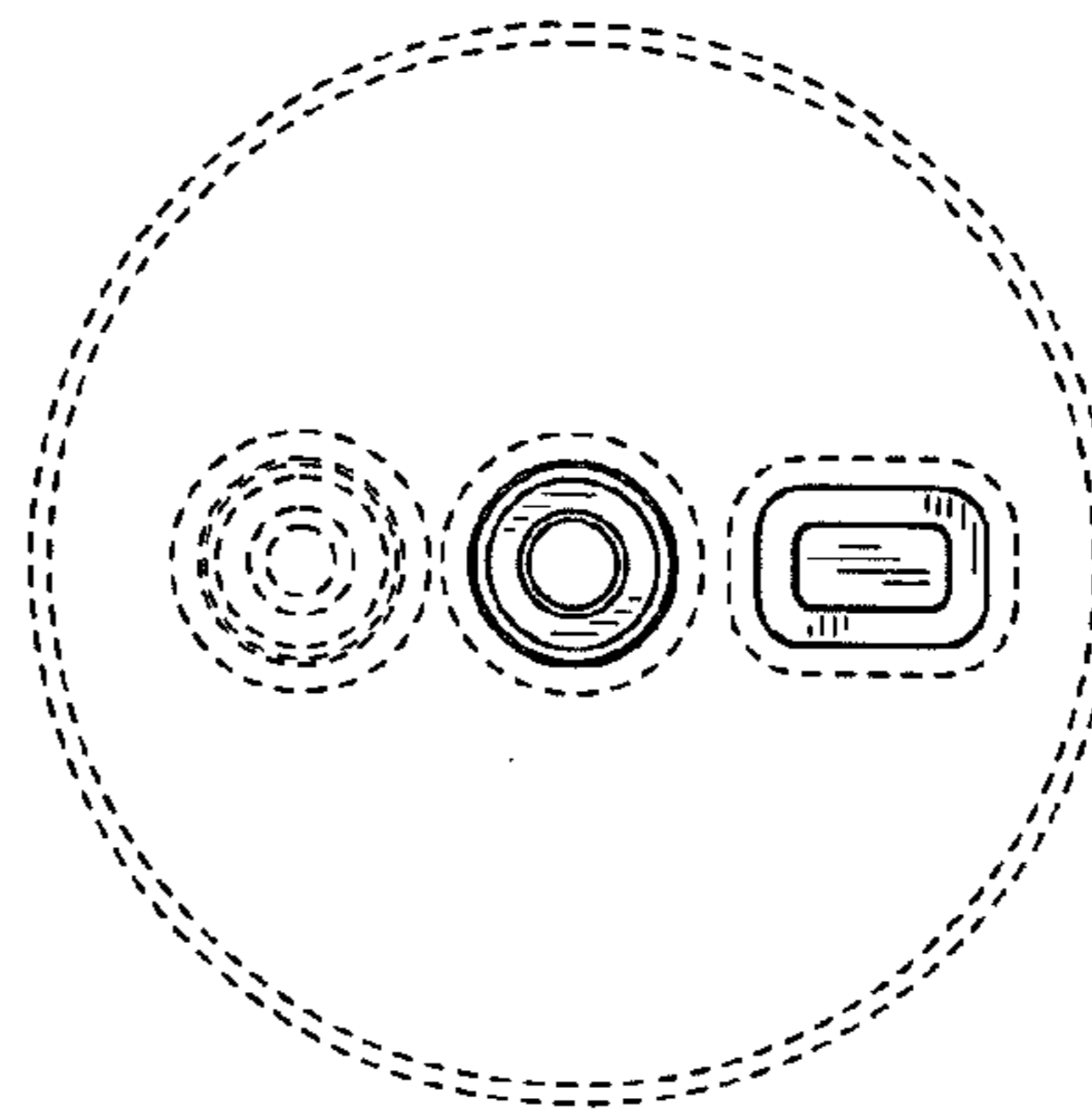


FIG. 2

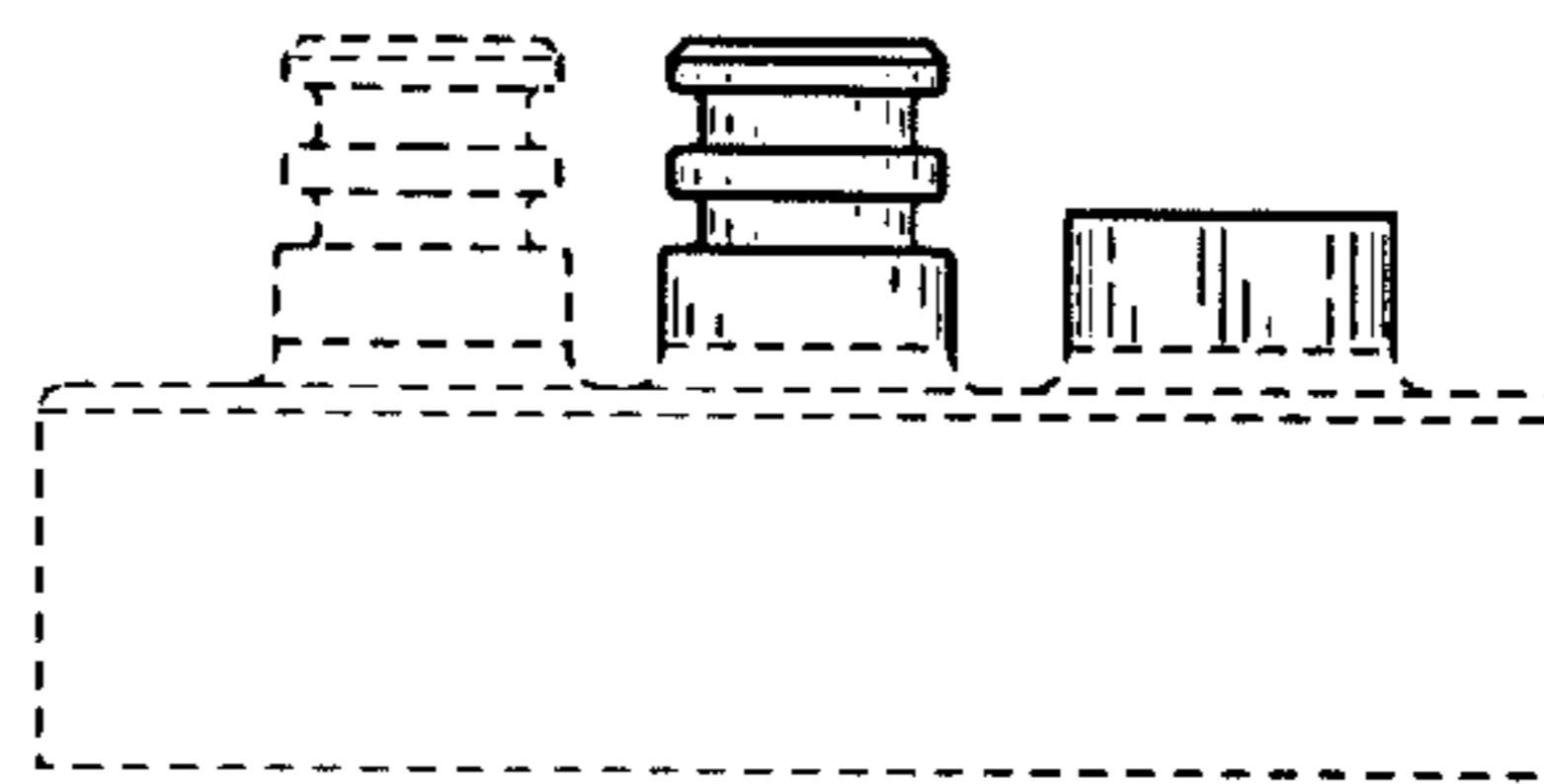


FIG. 3

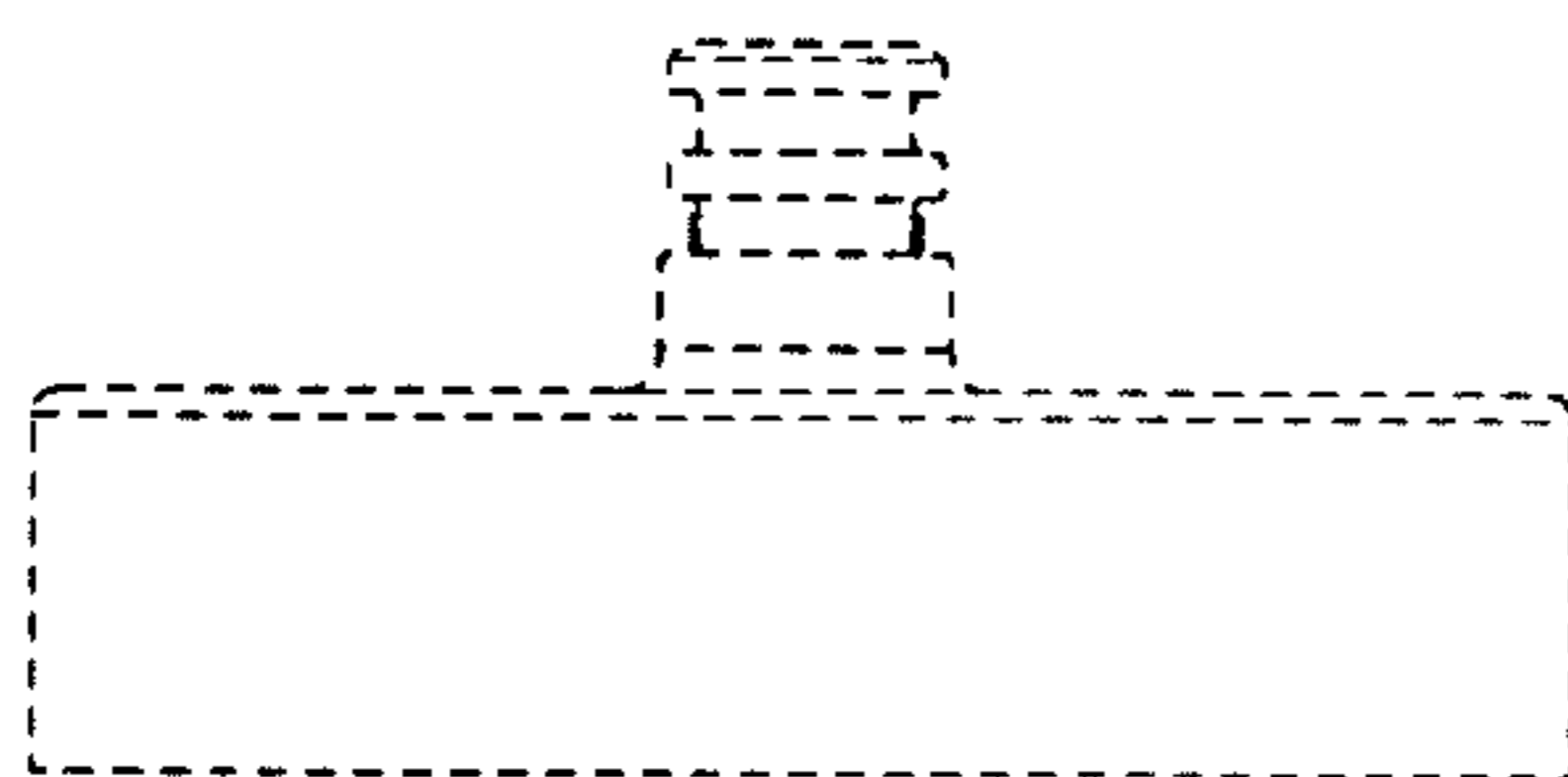


FIG. 4

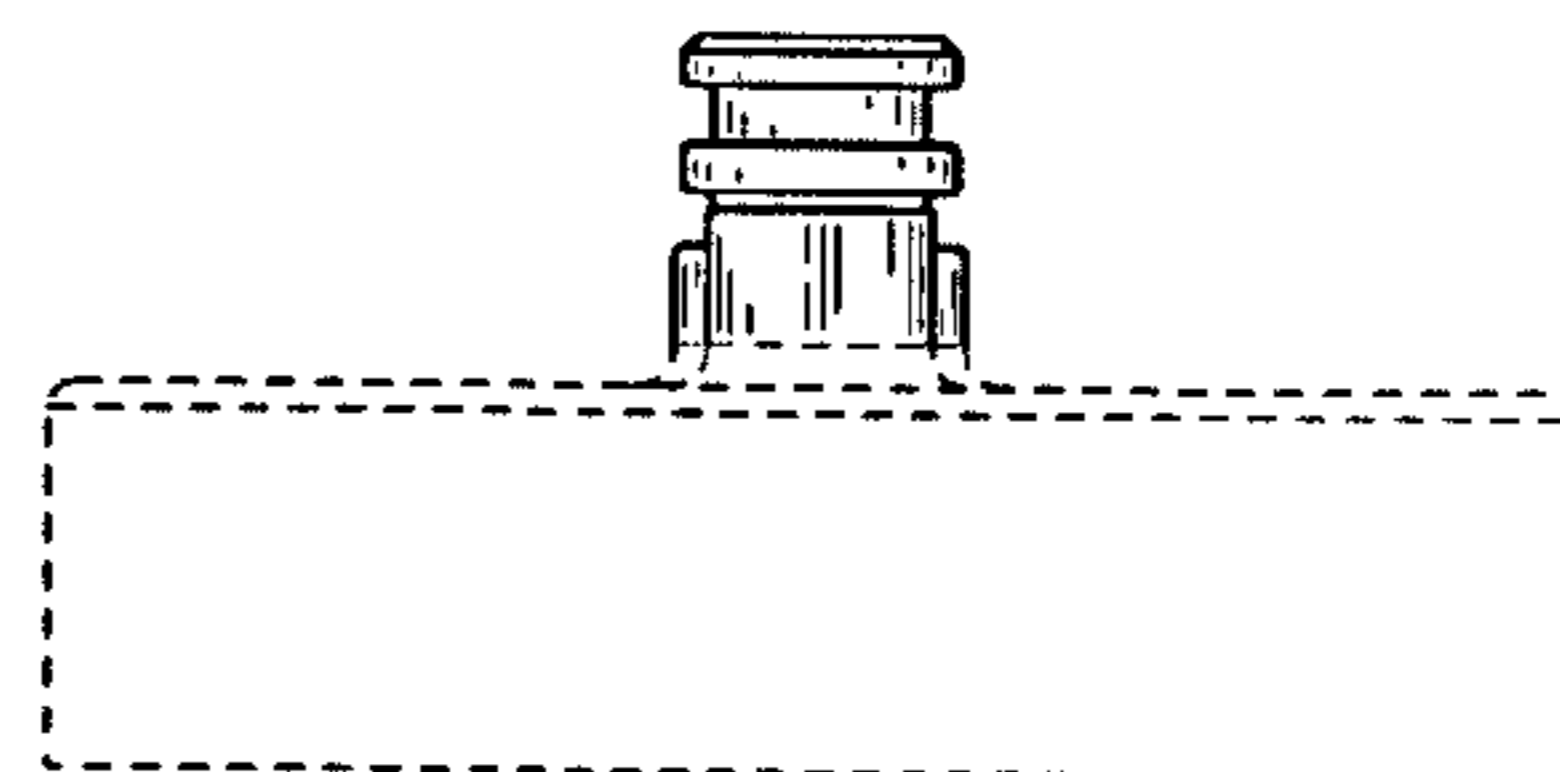


FIG. 5